

2003 ELECTRICAL

Fuses & Circuit Breakers - F150 Pickup

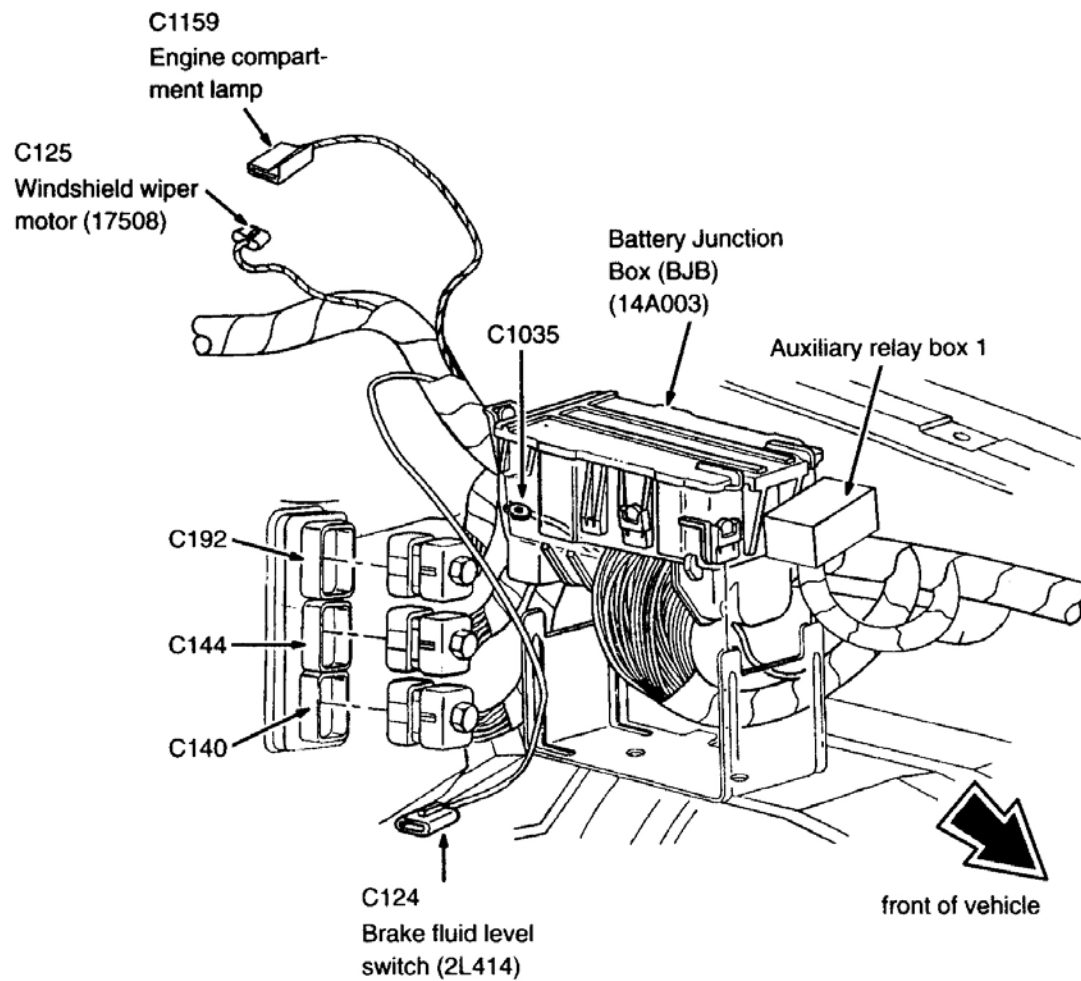
IDENTIFICATION

CAUTION: When battery is disconnected, vehicle computer and memory systems may lose memory data. Driveability problems may exist until computer systems have completed a relearn cycle. See **COMPUTER RELEARN PROCEDURES** article in **GENERAL INFORMATION** before disconnecting battery.

BATTERY JUNCTION BOX

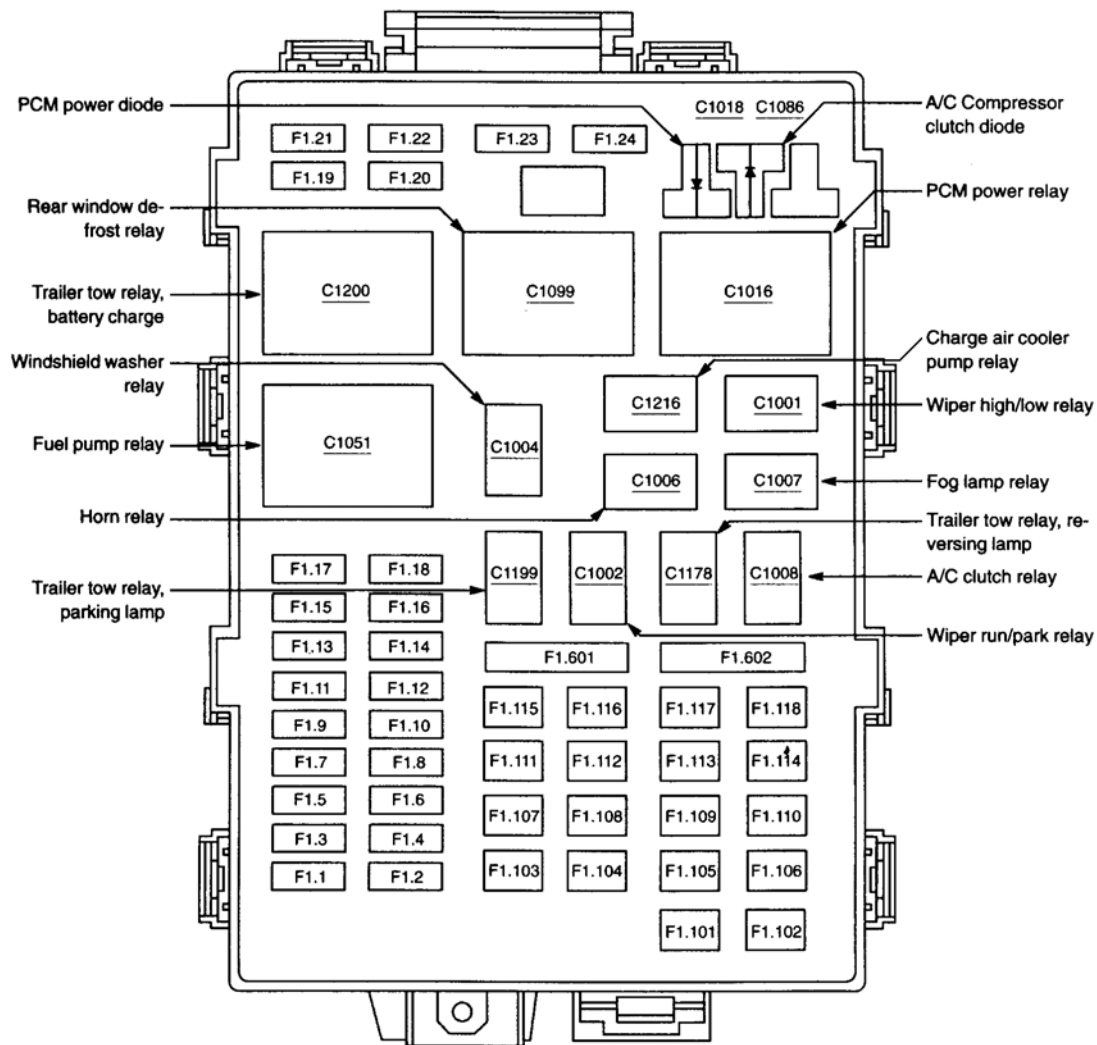
NOTE: Battery junction box may also be referred to as power distribution box.

NOTE: Battery junction box is located on driver's side of engine compartment. See Fig. 1.



G00323079

Fig. 1: Locating Battery Junction Box & Auxiliary Relay Box 1
 Courtesy of FORD MOTOR CO.



G00323080

Fig. 2: Identifying Battery Junction Box Components
 Courtesy of FORD MOTOR CO.

Fuse	Amps	Circuits protected
F1.1	20	Power point (19N236)
F1.2	30	PCM power relay
F1.3	30	Main light switch (11654), Headlamp relay, Multifunction switch
F1.4	20	Power point, console (19N236)
F1.5	20	Trailer tow relay, parking lamp, Trailer tow relay, reversing lamp
F1.6	15	Main light switch (11654), Park lamp relay
F1.7	20	Horn relay
F1.8	15	Central security module
F1.9	15	Daytime running lamps resistor, Fog lamp relay
F1.10	20	Fuel pump relay
F1.11	20	Generator
F1.12	20	Power point, rear (19G247)
F1.13	15	A/C clutch relay
F1.14	–	not used
F1.15	10	Running board lamp, left front, Running board lamp, left rear, Running board lamp, right front, Running board lamp, right rear
F1.16	15	Alternative Fuel Control Module (AFCM), Alternative fuel indicator switch, Fuel injectors
F1.17	2	Brake pressure switch (2B264)
F1.18	15	Mass Air Flow (MAF) sensor (12B579), Powertrain Control Module (PCM) (12A650), Fuel injector 1 (9F593), Fuel injector 2 (9F593), Fuel injector 3 (9F593), Fuel injector 4 (9F593), Fuel injector 5 (9F593), Fuel injector 6 (9F593), Fuel injector 7 (9F593), Fuel injector 8 (9F593), Idle Air Control (IAC) valve (9F715), Fuel pump relay, Fuel pump cutoff relay
F1.19	10	Trailer tow connector (15A416)
F1.20	10	Trailer tow connector (15A416)
F1.21	–	not used
F1.22	–	not used
F1.23	15	Evaporative emission (EVAP) canister vent valve (9F945), EVAP canister purge valve, Heated Oxygen Sensor (HO2S) #21 (9F472), Heated Oxygen Sensor (HO2S) #11 (9F472), A/C clutch relay, Heated Oxygen Sensor (HO2S) #22 (9G444), Heated Oxygen Sensor (HO2S) #12 (9G444), Automatic transmission module (7G422), Camshaft position sensor (6B288), Intake Manifold Runner Control (IMRC) module, Bi-Fuel power relay
F1.24	–	not used
F1.101	30	Trailer tow relay, battery charge
F1.102	50	ABS control module (2C219)
F1.103	50	Central Junction Box (CJB) (14A068)
F1.104	30	Transfer case relay module, Transfer case electric clutch relay, Mechanical Shift On the Fly (MSOF) relay
F1.105	40	Blower motor relay
F1.106	20	Charge air cooler pump relay
F1.107	–	not used
F1.108	30	Trailer tow connector (15A416)
F1.109	–	not used
F1.110	30	Accessory delay relay
F1.111	40	Ignition switch (11572)
F1.112	30	Adjustable pedal switch, Power seat switch, left
F1.113	40	Ignition switch (11572)
F1.114	–	not used
F1.115	20	Central security module
F1.116	40	Rear window defrost relay
F1.117	40	audio
F1.118	30	Heated seat module, passenger side front, Heated seat module, driver side front (14C724)
F1.601 C.B.	30	Accessory delay relay
F1.602 C.B.	–	not used

G00323081

Fig. 3: Battery Junction Box Legend
 Courtesy of FORD MOTOR CO.

CENTRAL JUNCTION BOX

NOTE: Central junction box may also be referred to as passenger compartment fuse panel.

NOTE: Central junction box is located under driver's side of instrument panel. See Fig. 4.

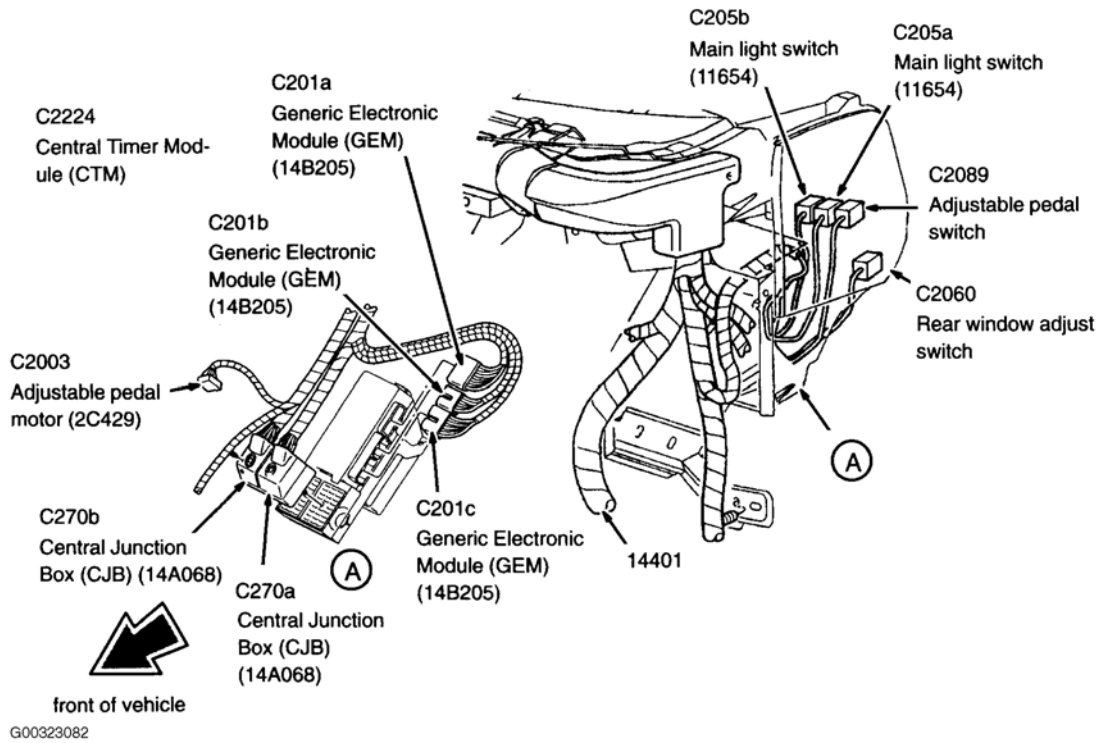


Fig. 4: Locating Central Junction Box
Courtesy of FORD MOTOR CO.

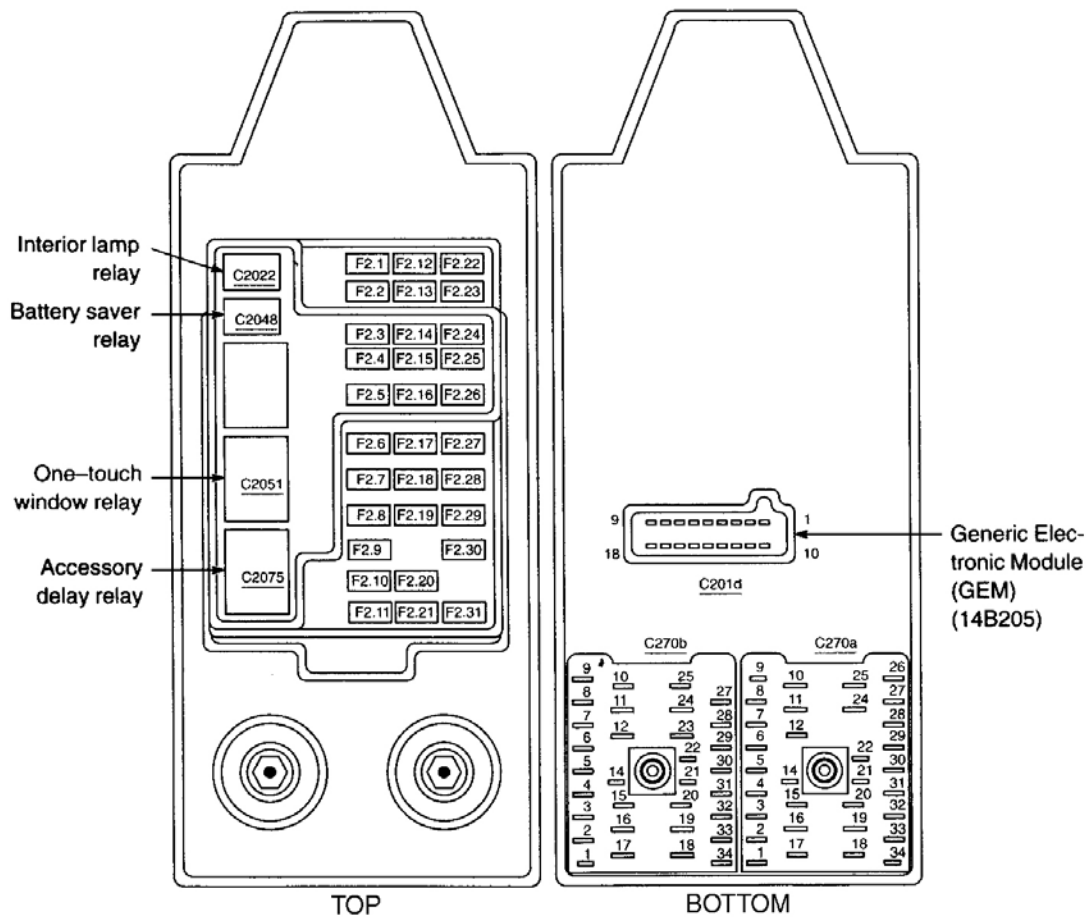


Fig. 5: Identifying Central Junction Box Components
 Courtesy of FORD MOTOR CO.

Fuse	Amps	Circuits protected
F2.1	15	Radio (18806), Video cassette player, Rear Seat Entertainment (RSE) module, Rear Integrated Control Panel (RICP) (19980)
F2.2	5	Instrument cluster, Powertrain Control Module (PCM) (12A650), Electronic Automatic Temperature Control (EATC) module (19980), Natural Gas Vehicle (NGV) timer jumper
F2.3	20	Data Link Connector (DLC) (14489), Cigar lighter, front (15055)
F2.4	5	Mirror turn signal relay, left, Mirror turn signal relay, right, Exterior rear view mirror switch (17B676)
F2.5	15	Digital Transmission Range (DTR) sensor (7F293), Reversing lamps switch, Speed control servo (9C735), Function selector switch assembly (19B888), Temperature blend door actuator (19E616), Daytime Running Lamps (DRL) relay 1
F2.6	5	Generic Electronic Module (GEM) (14B205), Brake shift interlock, Instrument cluster
F2.7	–	not used
F2.8	5	Generic Electronic Module (GEM) (14B205), Radio (18806), Video display, Video cassette player
F2.9	–	not used
F2.10	–	not used
F2.11	30	Windshield washer relay, Wiper run/park relay, Wiper high/low relay, Windshield wiper motor (17508)
F2.12	–	not used
F2.13	20	Indicator flasher relay (13350), Brake pedal position switch (13480)
F2.14	15	Battery saver relay, Interior lamp relay
F2.15	5	Generic Electronic Module (GEM) (14B205), Brake pressure switch (2B264), Brake pedal position switch (13480)
F2.16	20	Instrument cluster, Headlamp, left (13008), Headlamp, right (13008)
F2.17	–	not used
F2.18	5	Main light switch (11654)
F2.19	–	not used
F2.20	5	Powertrain Control Module (PCM) (12A650), Generic Electronic Module (GEM) (14B205), Radio (18806)
F2.21	15	Clutch pedal position switch, Clutch triple function switch jumper, Central Junction Box (CJB) (14A068), Digital Transmission Range (DTR) sensor (7F293)
F2.22	10	Restraints control module (14B321), Passenger Air bag Deactivation (PAD) switch
F2.23	10	Trailer tow relay, battery charge, 4x2 center axle disconnect solenoid, 4x4 center axle disconnect solenoid, Indicator flasher relay (13350), Transfer case electric clutch relay, Mechanical Shift On the Fly (MSOF) relay, ABS control module (2C219), Heated seat module, driver side front (14C724), Seat heater switch, driver side, Heated seat module, passenger side front, Seat heater switch, passenger side, Overhead console, Electrochromatic inside mirror unit (17700)
F2.24	10	Function selector switch assembly (19B888), Blower motor relay, Electronic Automatic Temperature Control (EATC) module (19980)
F2.25	10	Heated mirrors
F2.26	10	Headlamp, right (13008)
F2.27	5	Main light switch (11654)
F2.28	10	Headlamp, left (13008)
F2.29	5	Transmission control switch, Autolamp sensor, Central security module, Belt minder module
F2.30	30	PCM power diode, Ignition transformer capacitor 1 (18801), Ignition coil (12029), Natural Gas Vehicle (NGV) timer jumper, Instrument cluster, Passive anti-theft transceiver module (15607)
F2.31	–	not used

G00323084

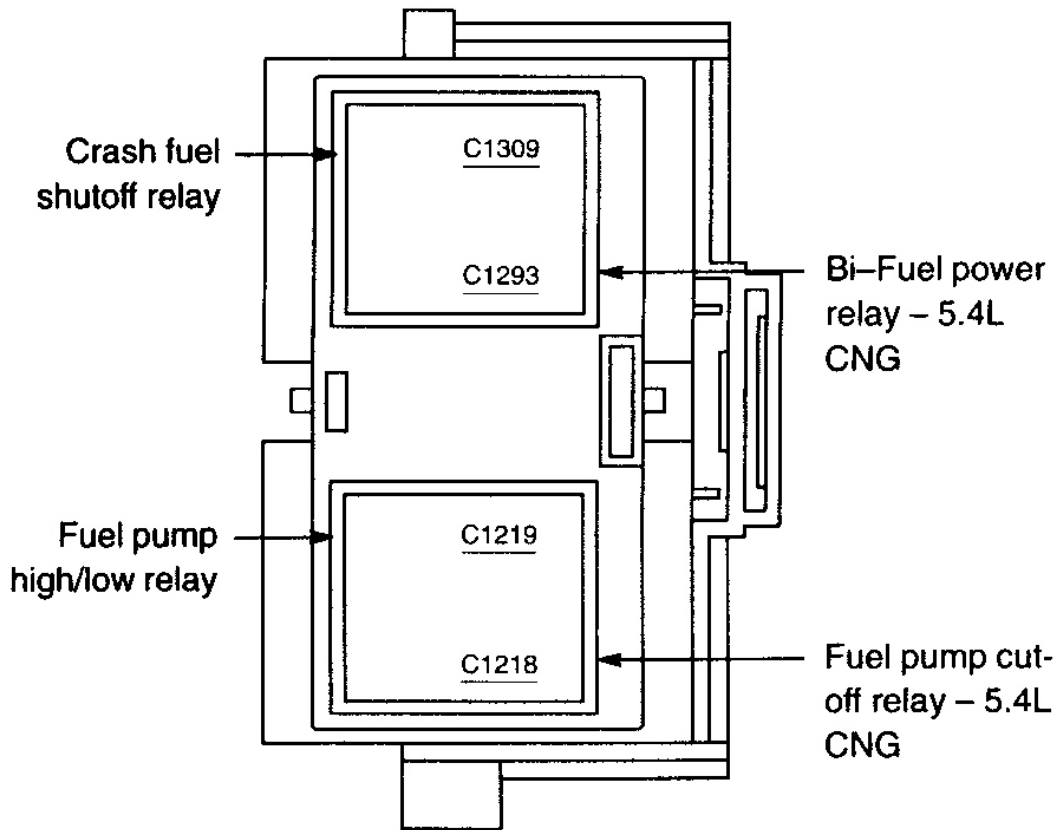
Fig. 6: Central Junction Box Legend
 Courtesy of FORD MOTOR CO.

FUSIBLE LINKS

Fusible links A, B & C are located in right rear of engine compartment.

AUXILIARY RELAY BOX 1

NOTE: Auxiliary relay box 1 is located on battery junction box. See Fig. 1 .

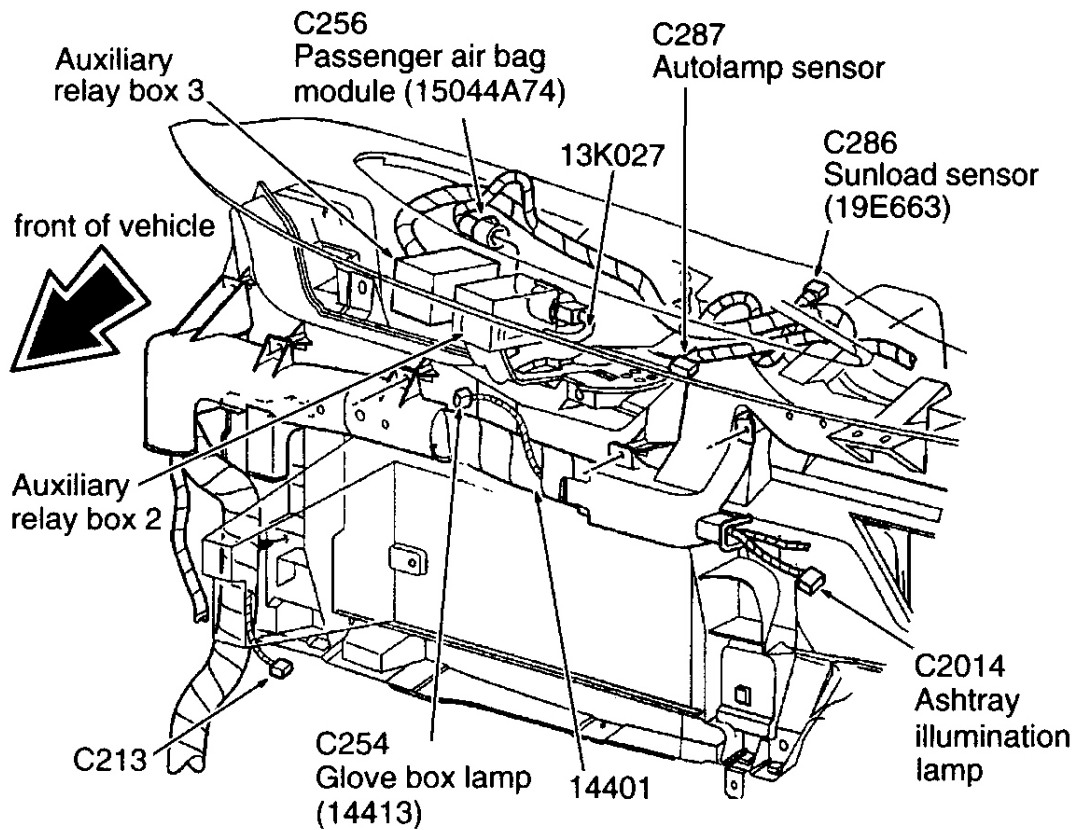


G00323085

Fig. 7: Identifying Auxiliary Relay Box 1 Components
 Courtesy of FORD MOTOR CO.

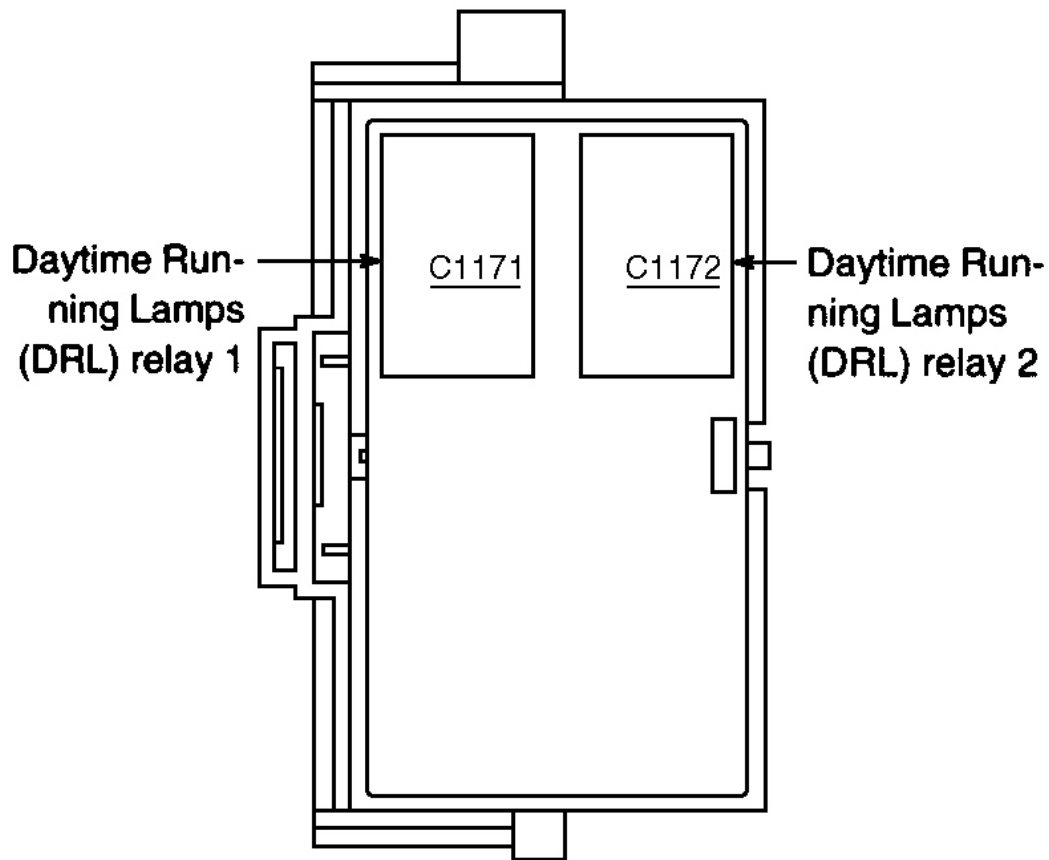
AUXILIARY RELAY BOX 2

NOTE: Auxiliary relay box 2 is located behind right side of instrument panel. See Fig. 8.



G00323086

Fig. 8: Locating Auxiliary Relay Box 2 & 3
Courtesy of FORD MOTOR CO.

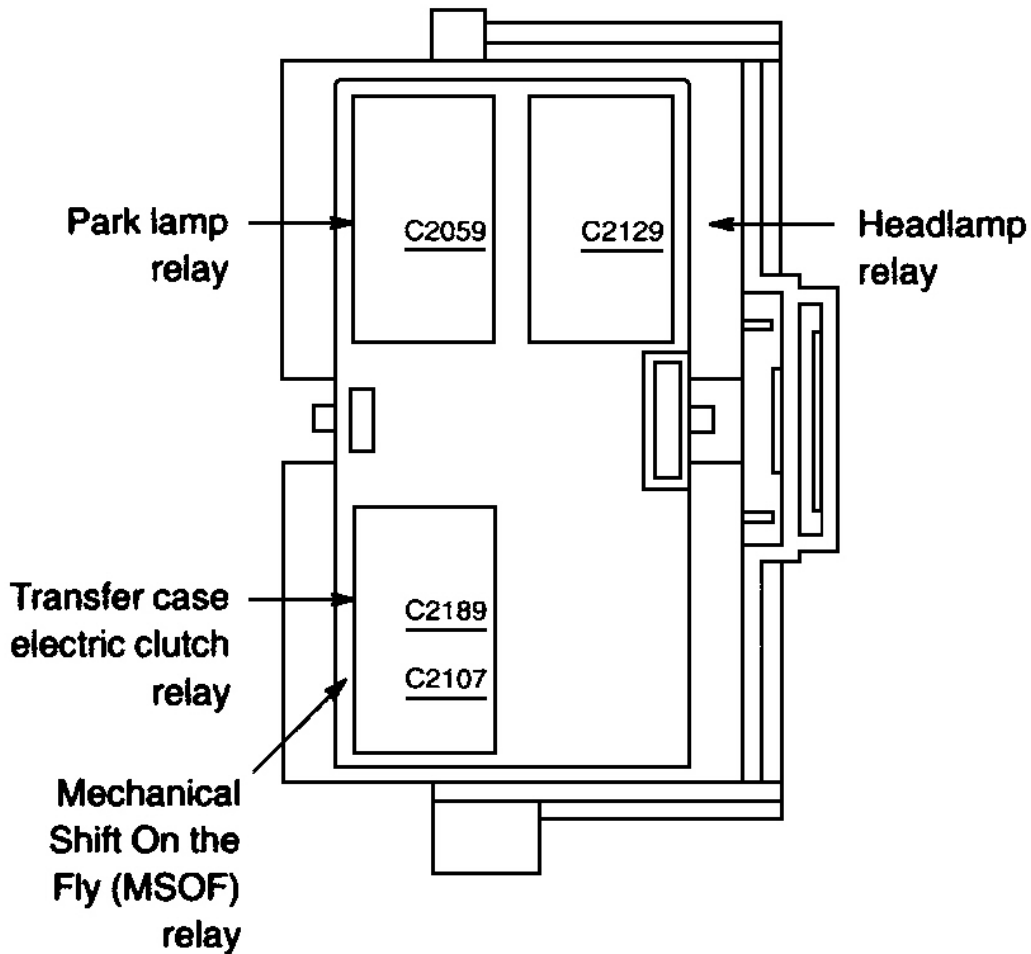


G00323087

Fig. 9: Identifying Auxiliary Relay Box 2 Components
Courtesy of FORD MOTOR CO.

AUXILIARY RELAY BOX 3

NOTE: Auxiliary relay box 3 is located behind right side of instrument panel. See Fig. 8.

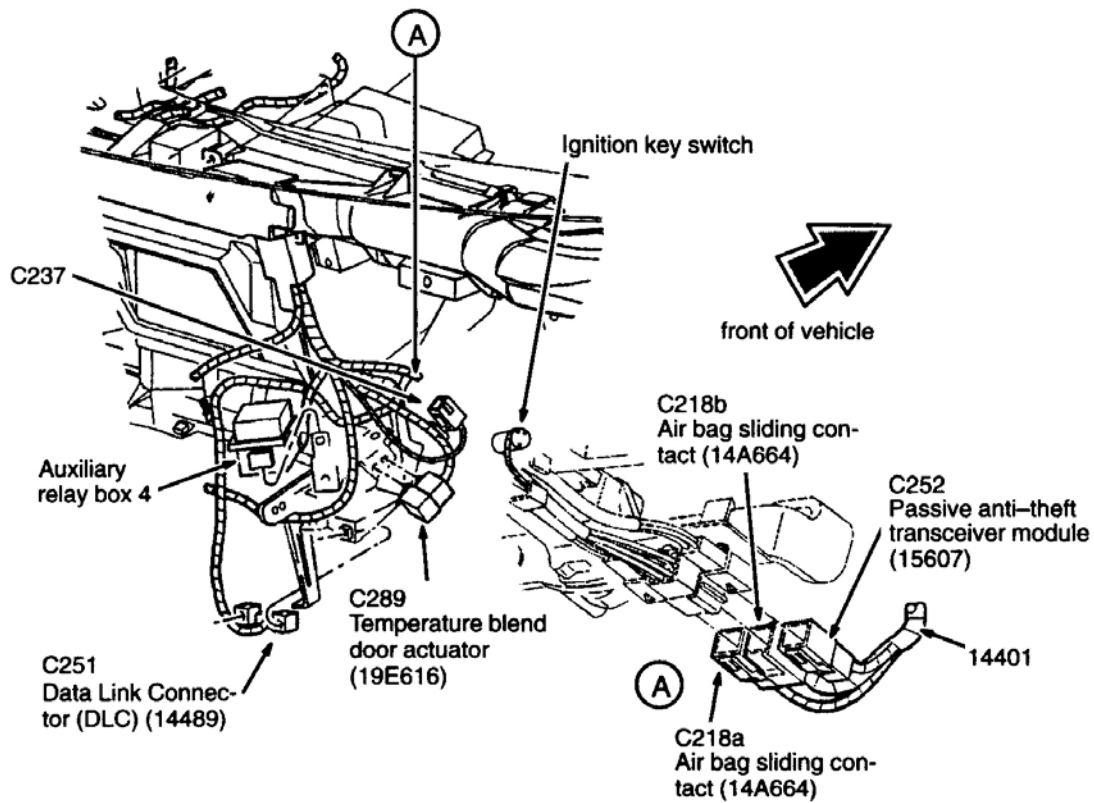


G00323088

Fig. 10: Identifying Auxiliary Relay Box 3 Components
 Courtesy of FORD MOTOR CO.

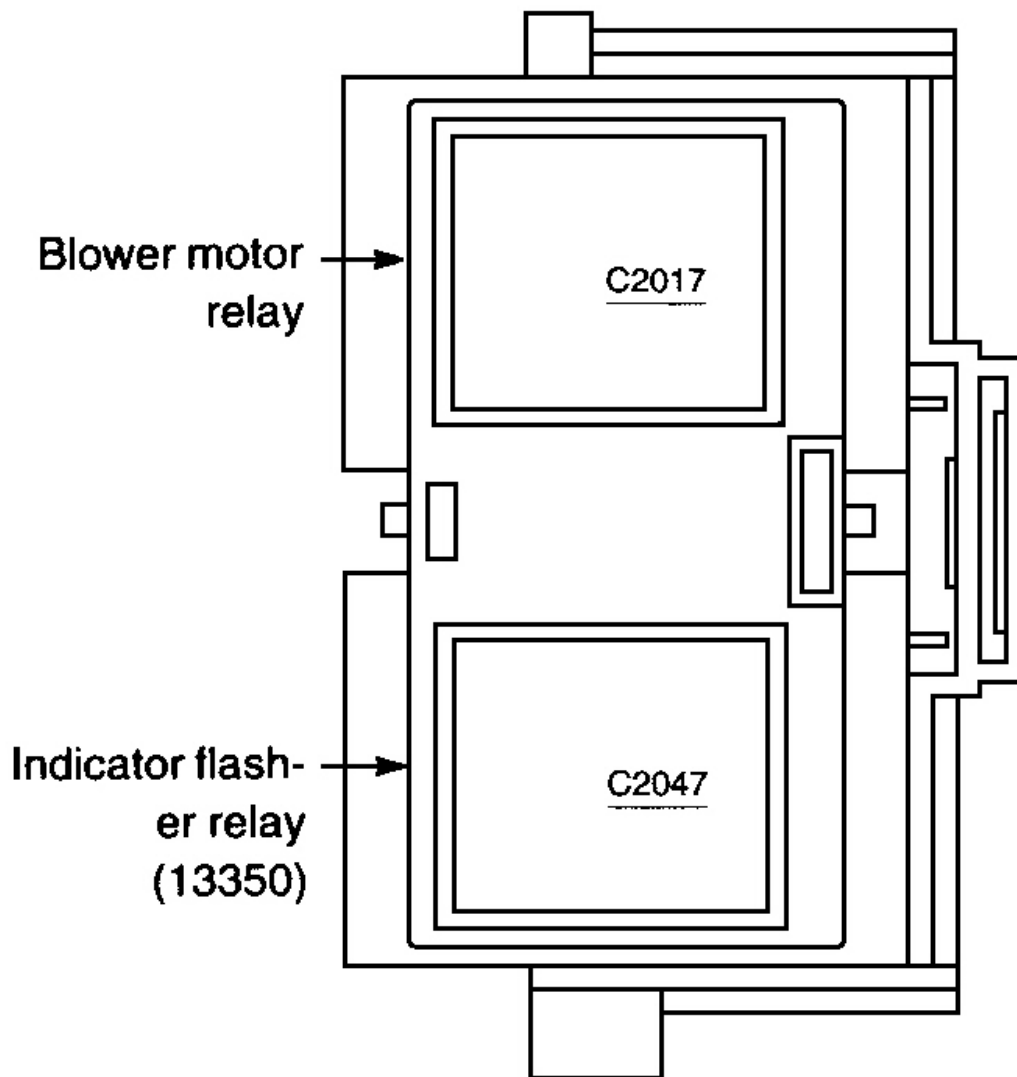
AUXILIARY RELAY BOX 4

NOTE: Auxiliary relay box 4 is located behind left side of instrument panel. See [Fig. 11](#) .



G00323089

Fig. 11: Locating Auxiliary Relay Box 4
 Courtesy of FORD MOTOR CO.

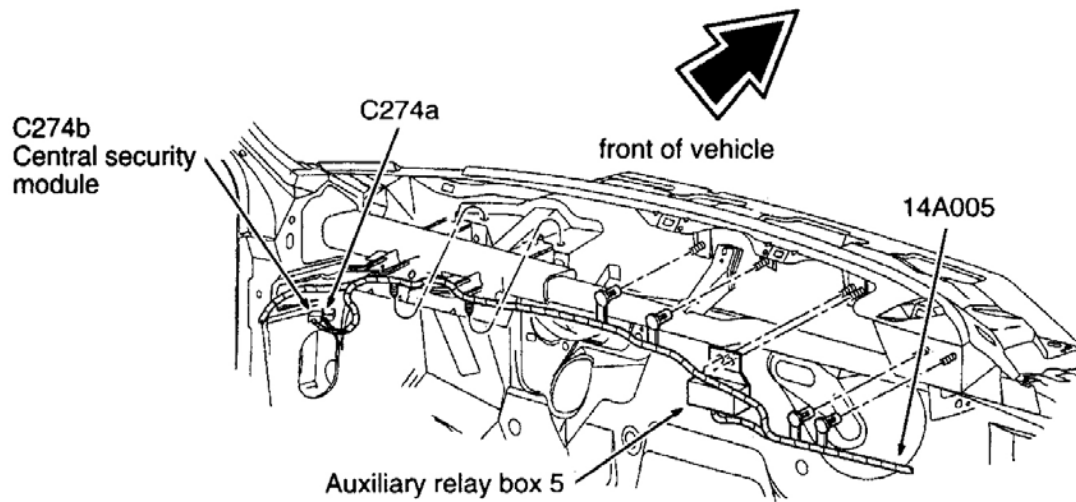


G00323090

Fig. 12: Identifying Auxiliary Relay Box 4 Components
Courtesy of FORD MOTOR CO.

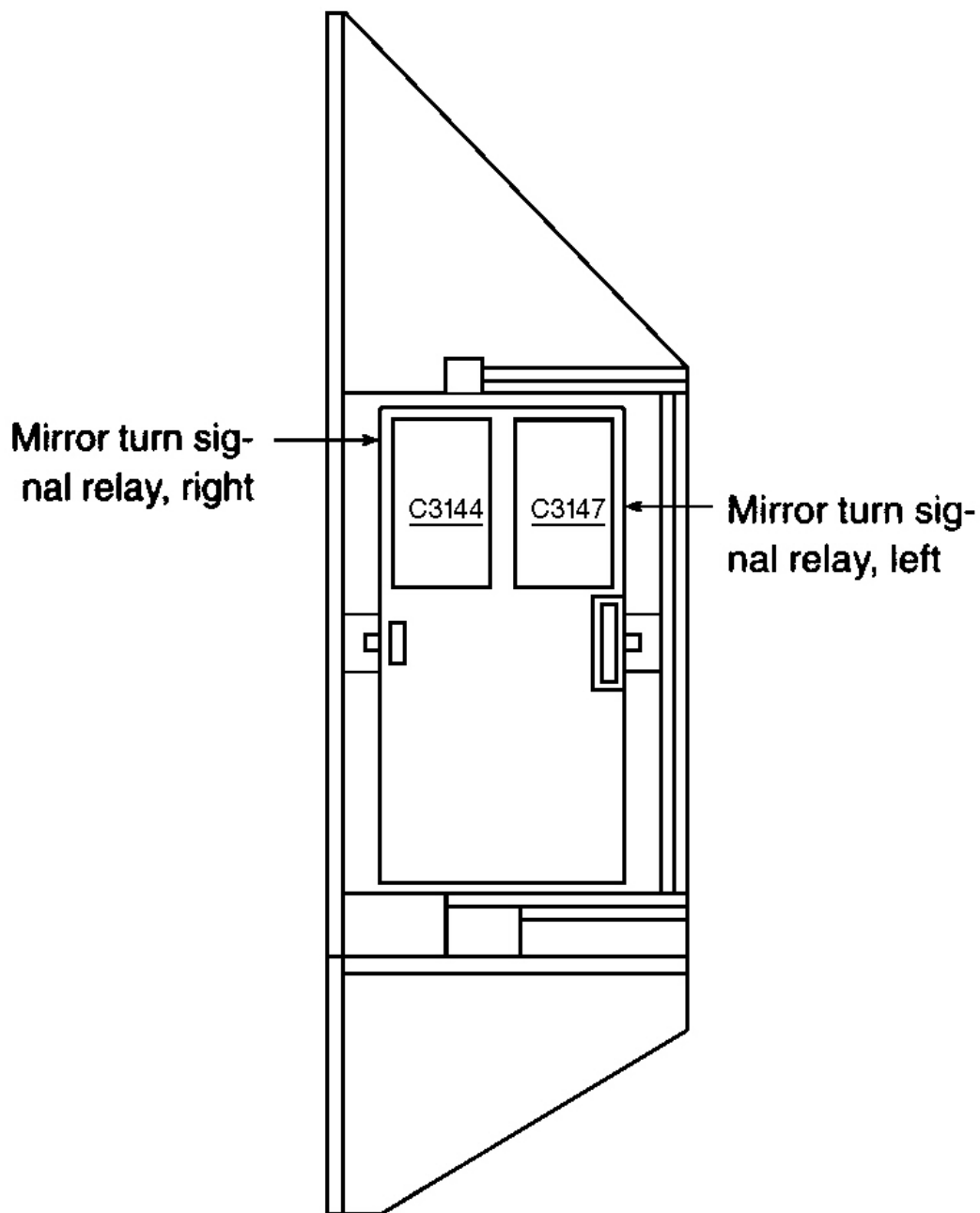
AUXILIARY RELAY BOX 5

NOTE: Auxiliary relay box 5 is located behind right side of instrument panel. See Fig. 13.



G00323091

Fig. 13: Locating Auxiliary Relay Box 5
Courtesy of FORD MOTOR CO.

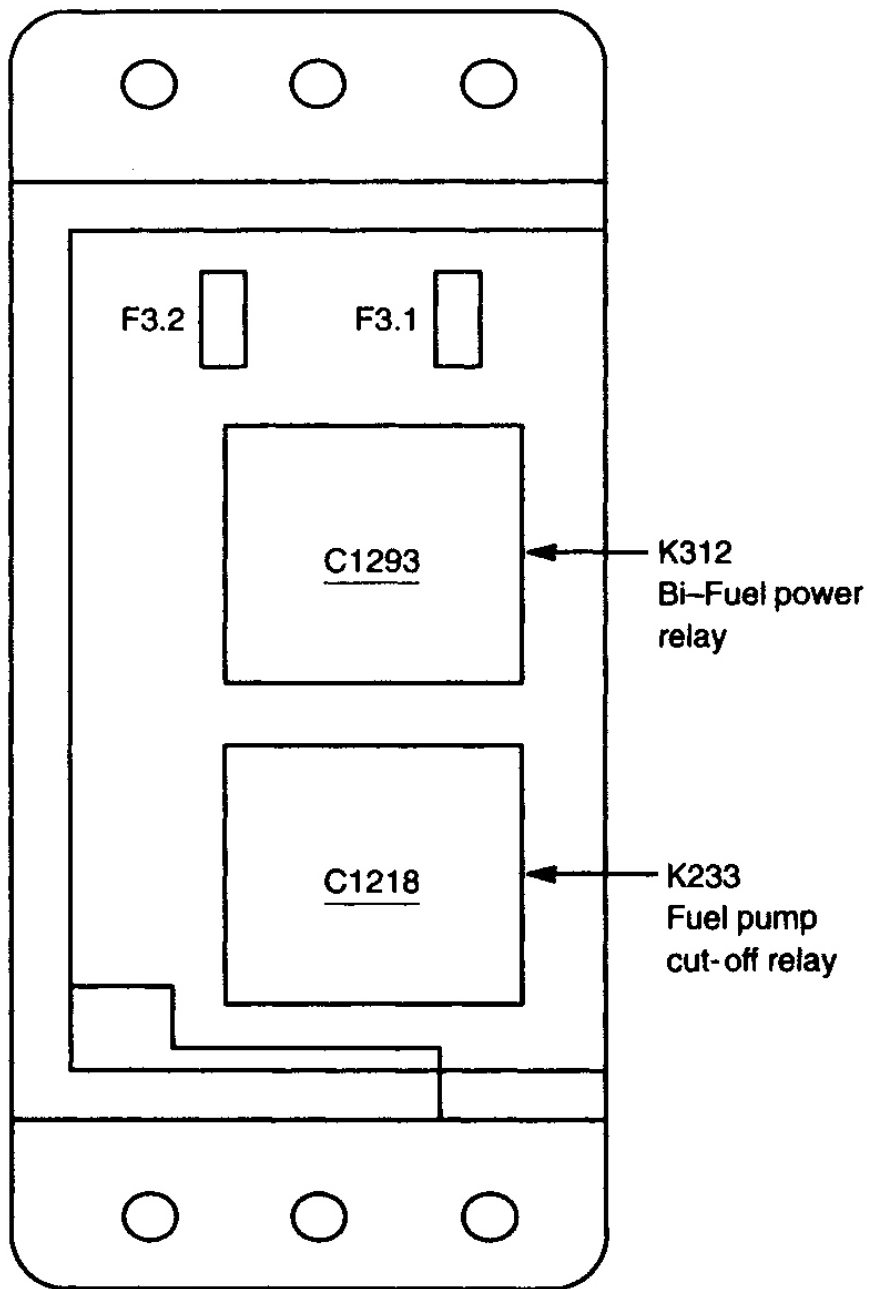


G00323092

Fig. 14: Identifying Auxiliary Relay Box 5 Components
Courtesy of FORD MOTOR CO.

BI-FUEL RELAY MODULE

NOTE: Bi-fuel relay module is located in left rear of engine compartment.



Fuse	Amps	Circuits protected
F3.1	3	Compuvalve module
F3.2	10	Bi-Fuel power relay, Low flow injector assembly, High flow injector assembly

Fig. 15: Identifying Bi-Fuel Relay Module Components
Courtesy of FORD MOTOR CO.