

2000 Ford Pickup F150

2000 System Wiring Diagrams Ford - Pickup F150

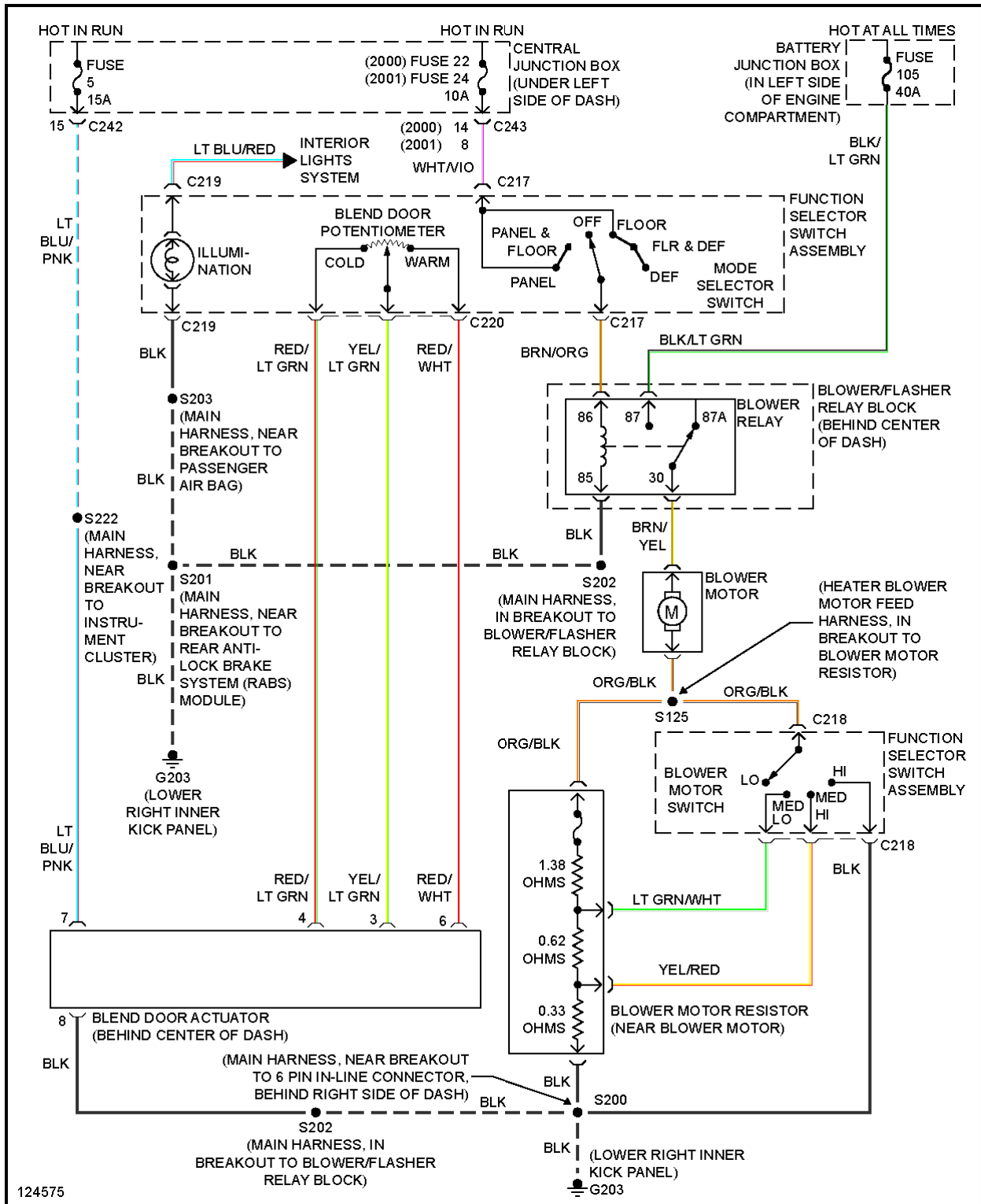
2000 System Wiring Diagrams

Ford - Pickup F150

AIR CONDITIONING

2000 Ford Pickup F150

2000 System Wiring Diagrams Ford - Pickup F150



2000 Ford Pickup F150

2000 System Wiring Diagrams Ford - Pickup F150

Fig. 1: Heater Circuit

2000 Ford Pickup F150

2000 System Wiring Diagrams Ford - Pickup F150

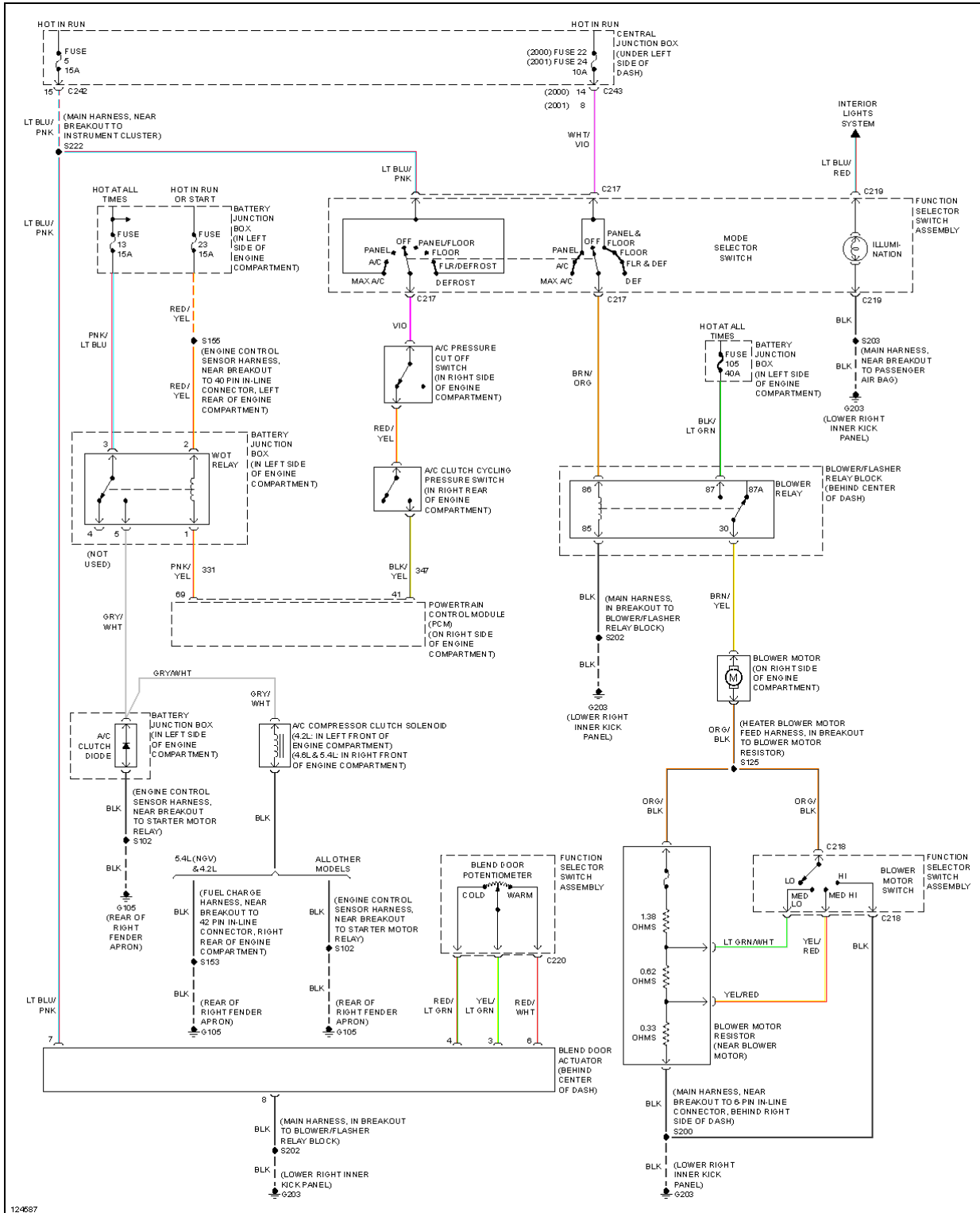
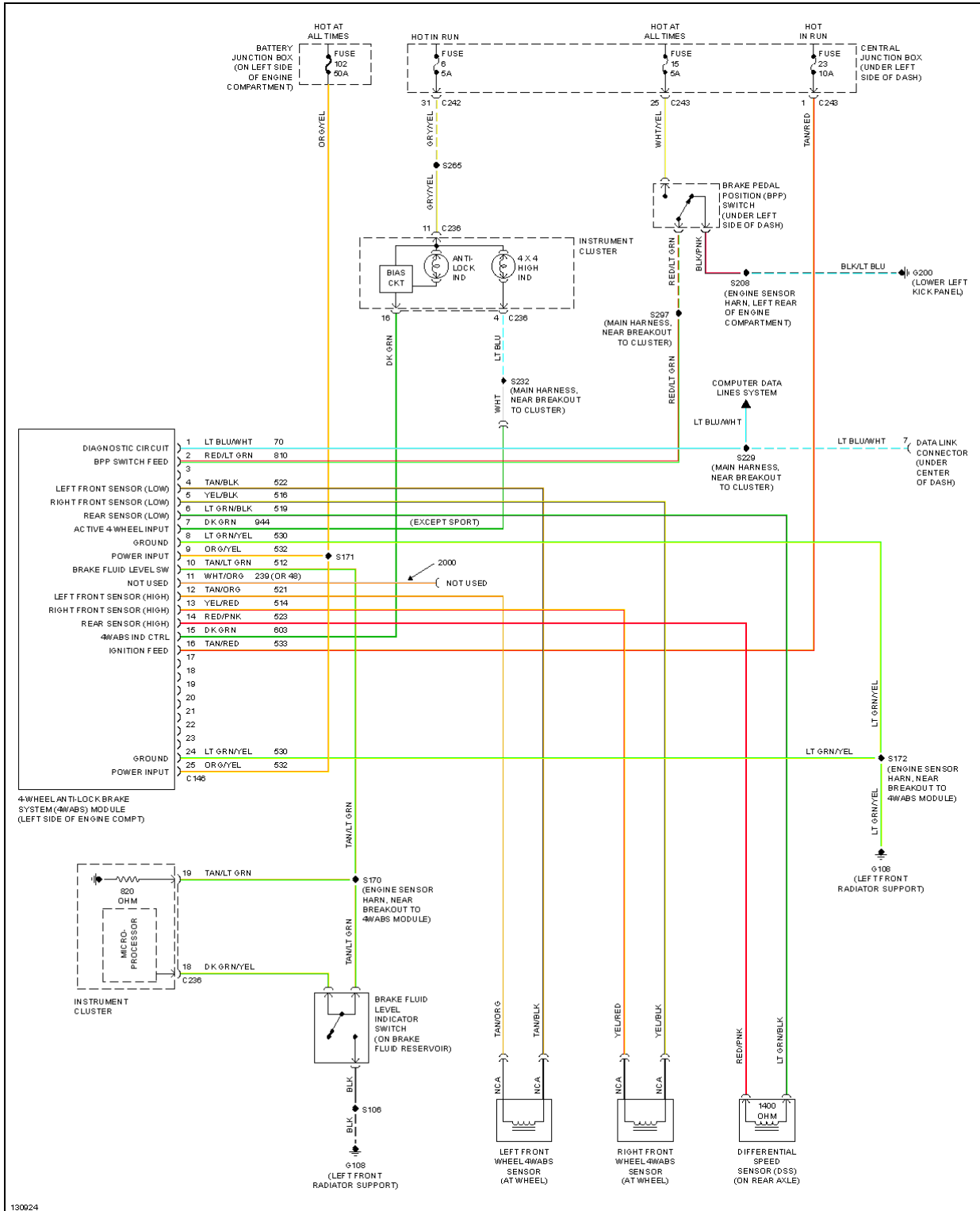


Fig. 2: Manual A/C Circuit

ANTI-LOCK BRAKES

2000 Ford Pickup F150

2000 System Wiring Diagrams Ford - Pickup F150



2000 Ford Pickup F150

2000 System Wiring Diagrams Ford - Pickup F150

Fig. 3: All-Wheel ABS Circuit

2000 Ford Pickup F150

2000 System Wiring Diagrams Ford - Pickup F150

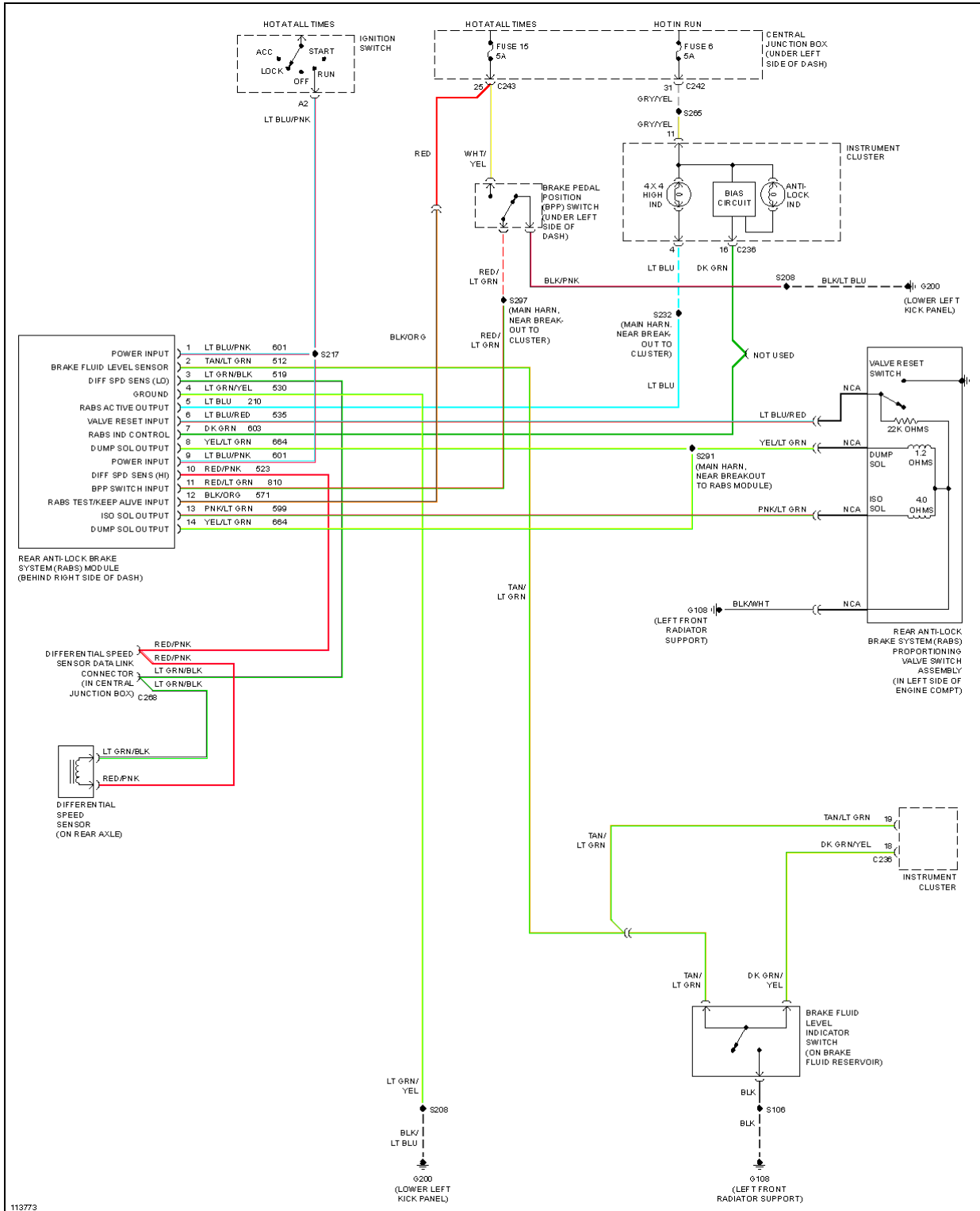
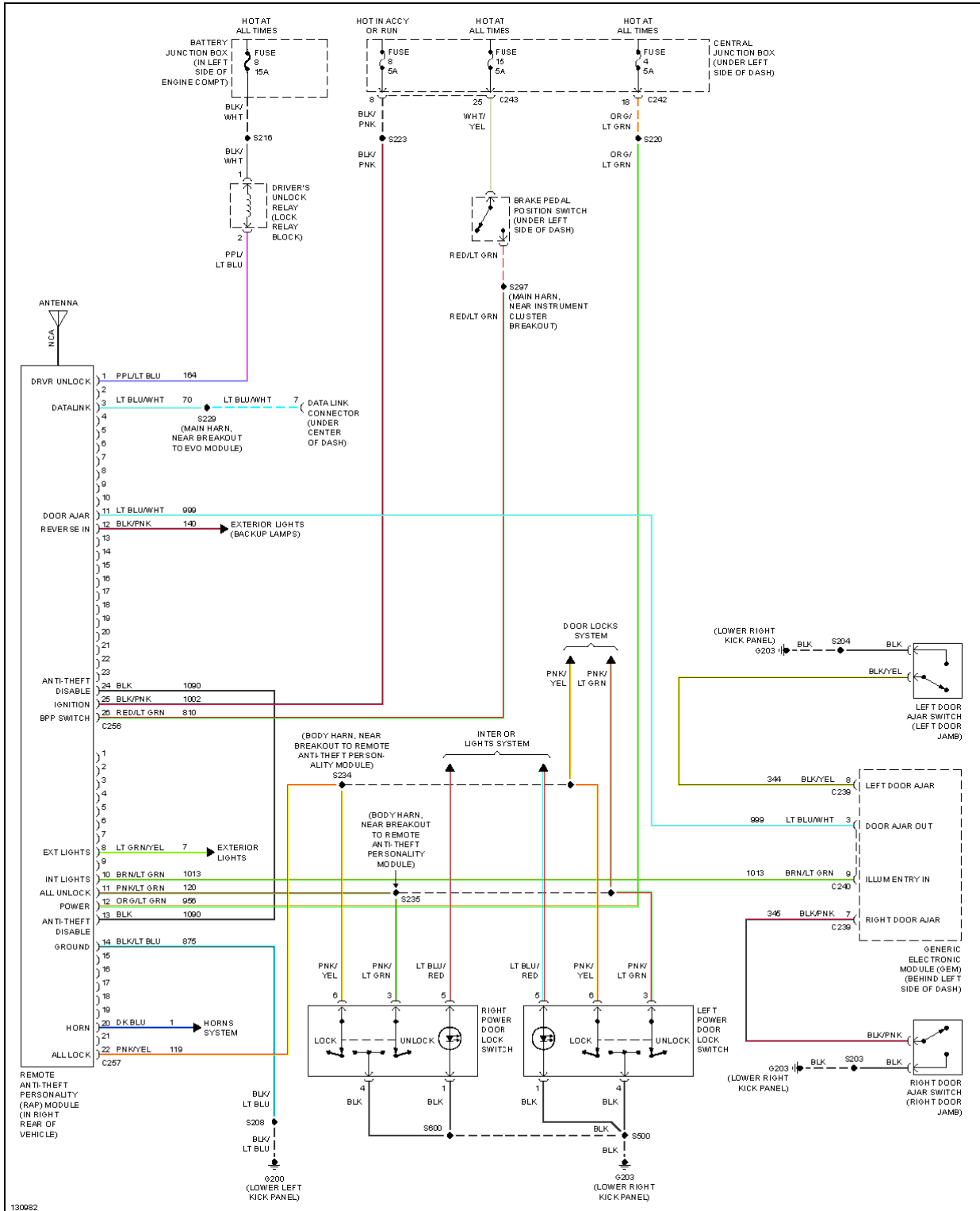


Fig. 4: Rear Wheel ABS Circuit

ANTI-THEFT

2000 Ford Pickup F150

2000 System Wiring Diagrams Ford - Pickup F150



2000 Ford Pickup F150

2000 System Wiring Diagrams Ford - Pickup F150

Fig. 5: Forced Entry Circuit

2000 Ford Pickup F150

2000 System Wiring Diagrams Ford - Pickup F150

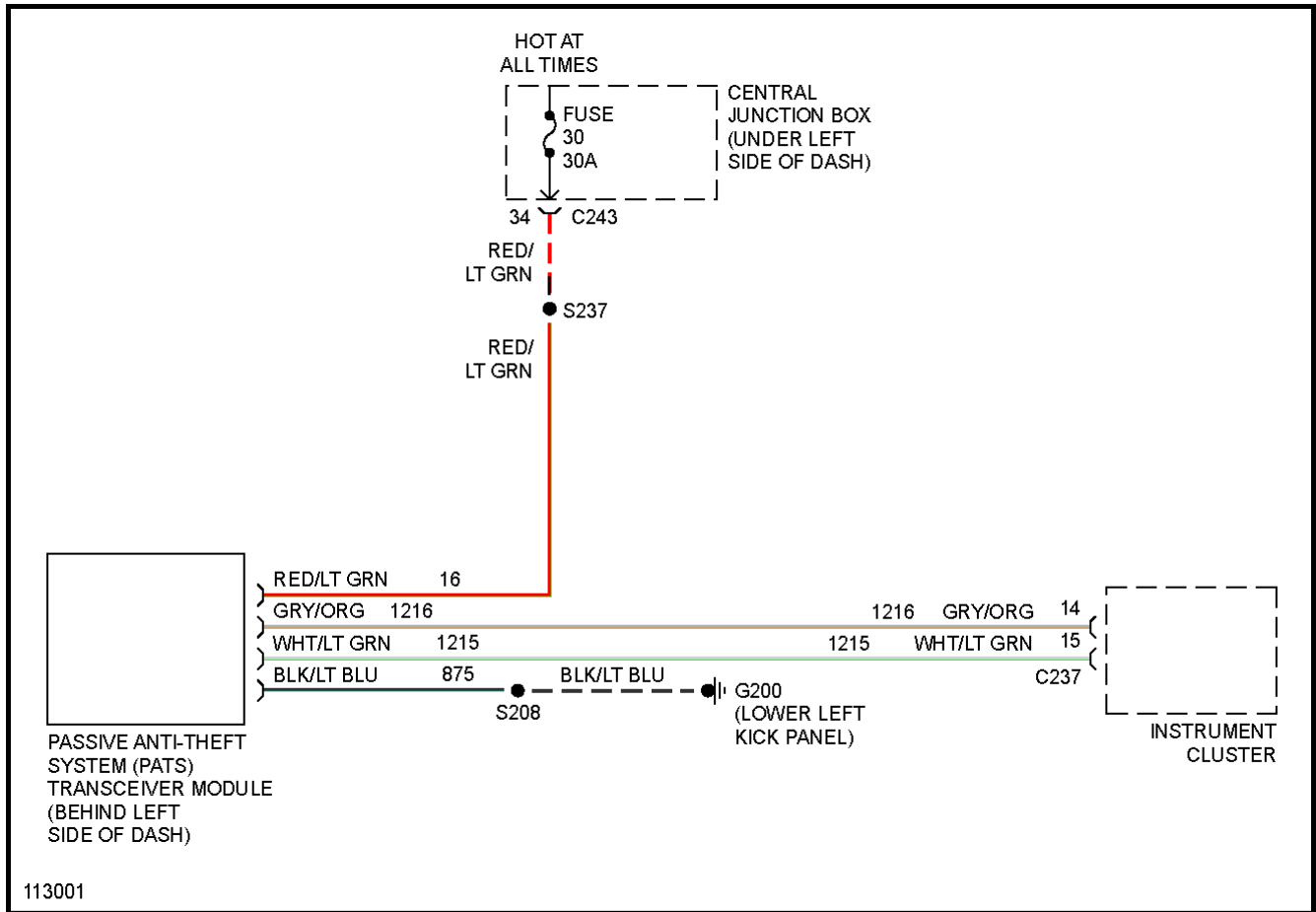


Fig. 6: Passive Anti-theft Circuit

BODY COMPUTER

2000 Ford Pickup F150

2000 System Wiring Diagrams Ford - Pickup F150

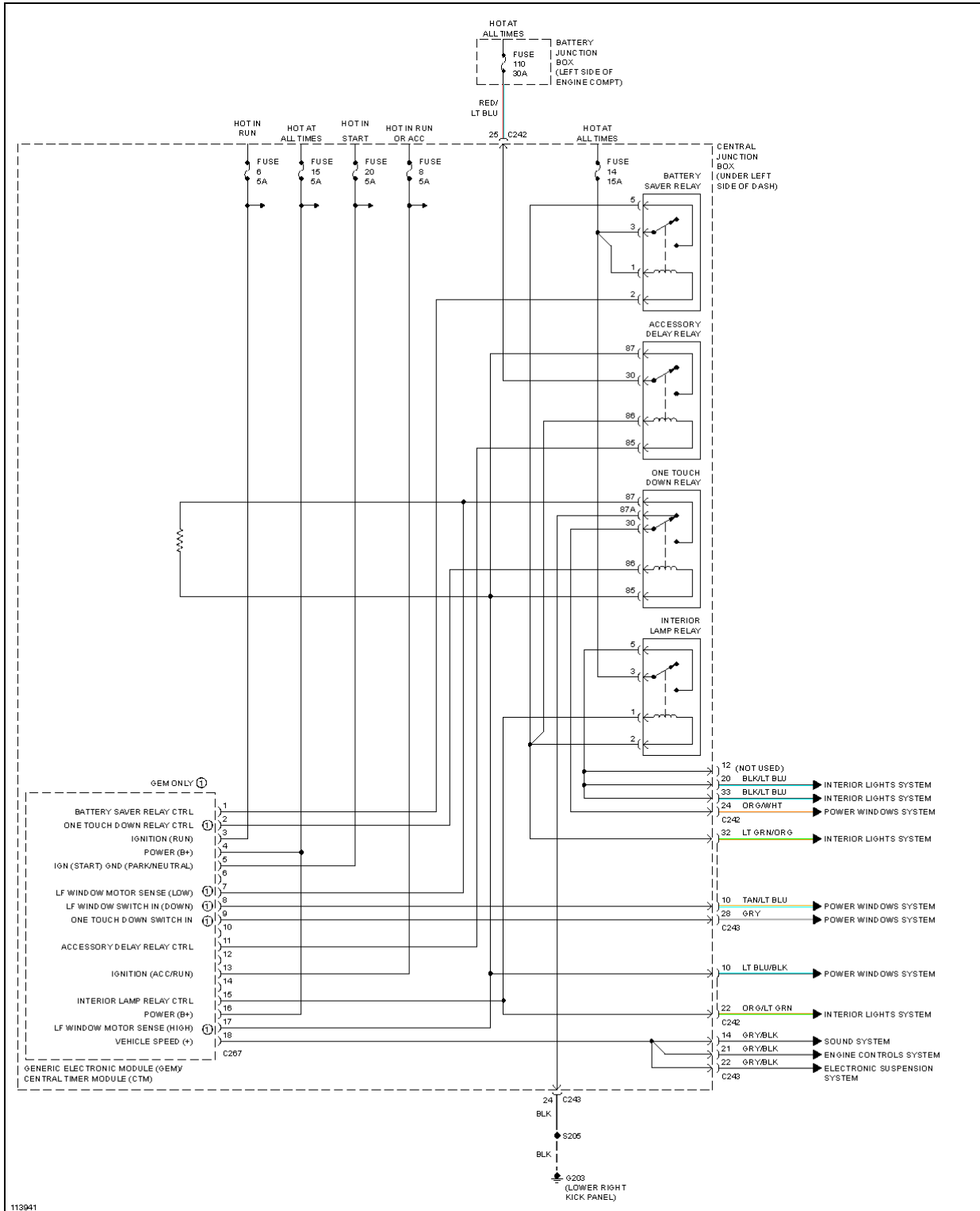


Fig. 7: Body Computer Circuits (1 of 2)

2000 Ford Pickup F150

2000 System Wiring Diagrams Ford - Pickup F150

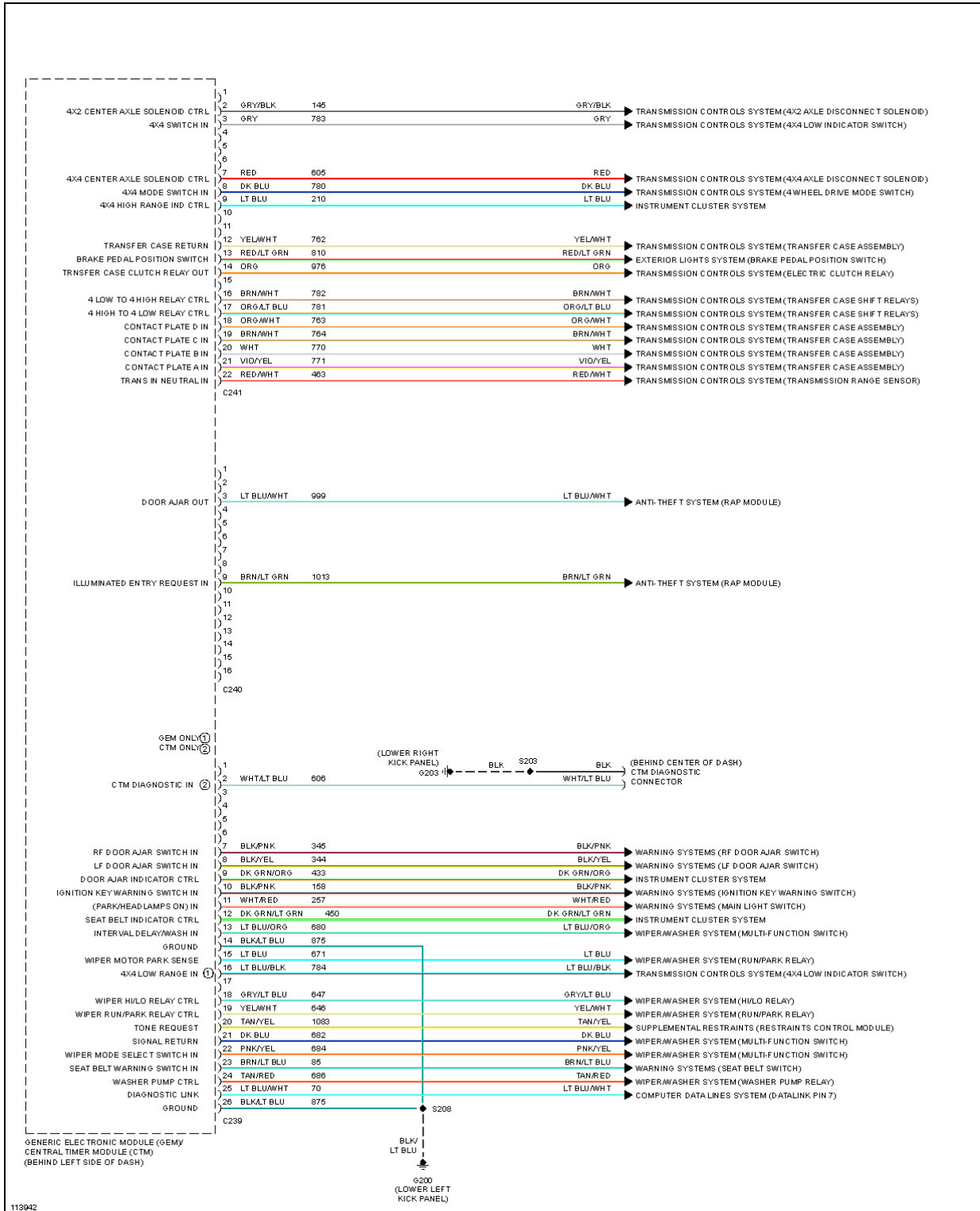


Fig. 8: Body Computer Circuits (2 of 2)

COMPUTER DATA LINES

2000 Ford Pickup F150

2000 System Wiring Diagrams Ford - Pickup F150

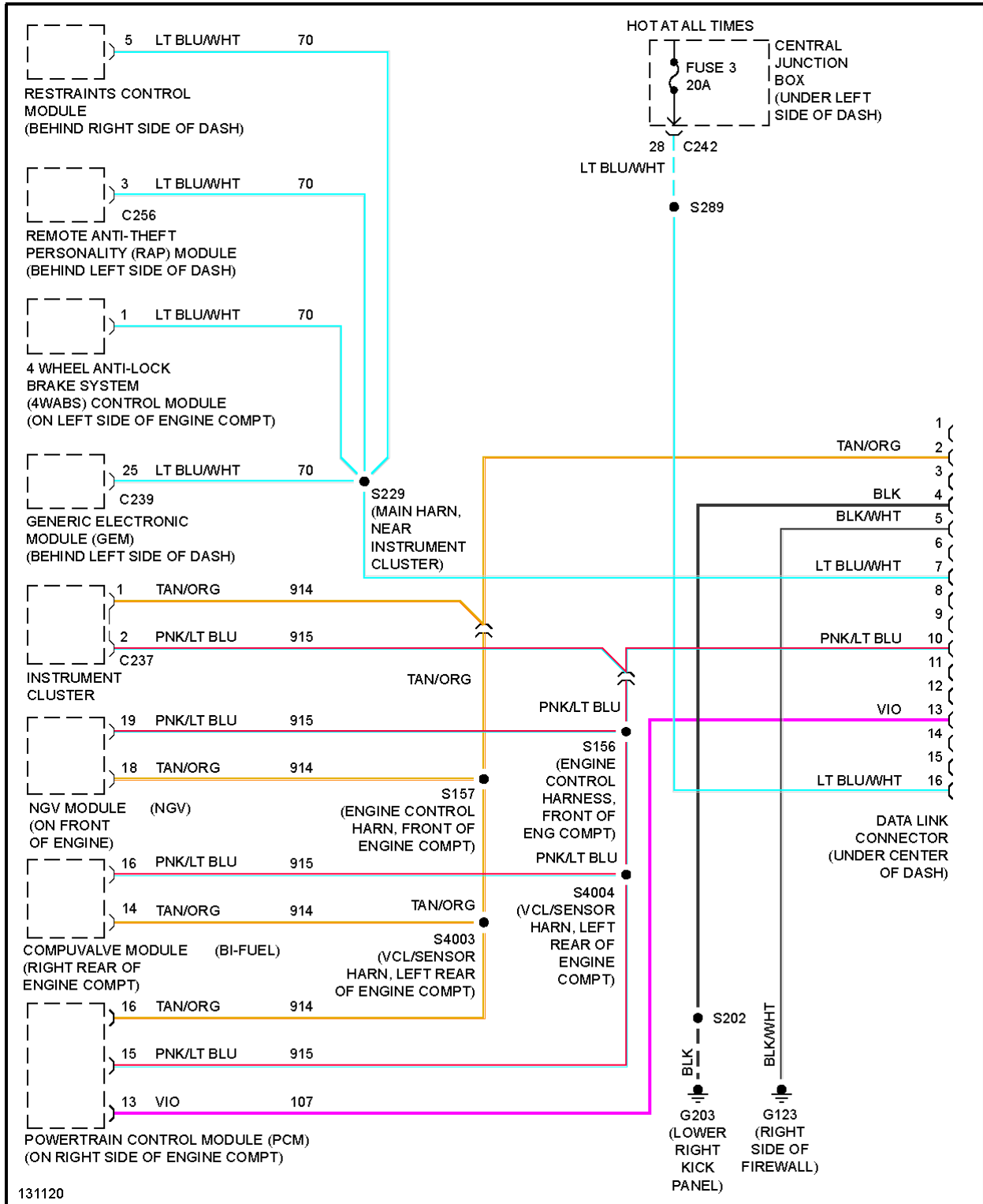


Fig. 9: Computer Data Lines

CRUISE CONTROL

2000 Ford Pickup F150

2000 System Wiring Diagrams Ford - Pickup F150

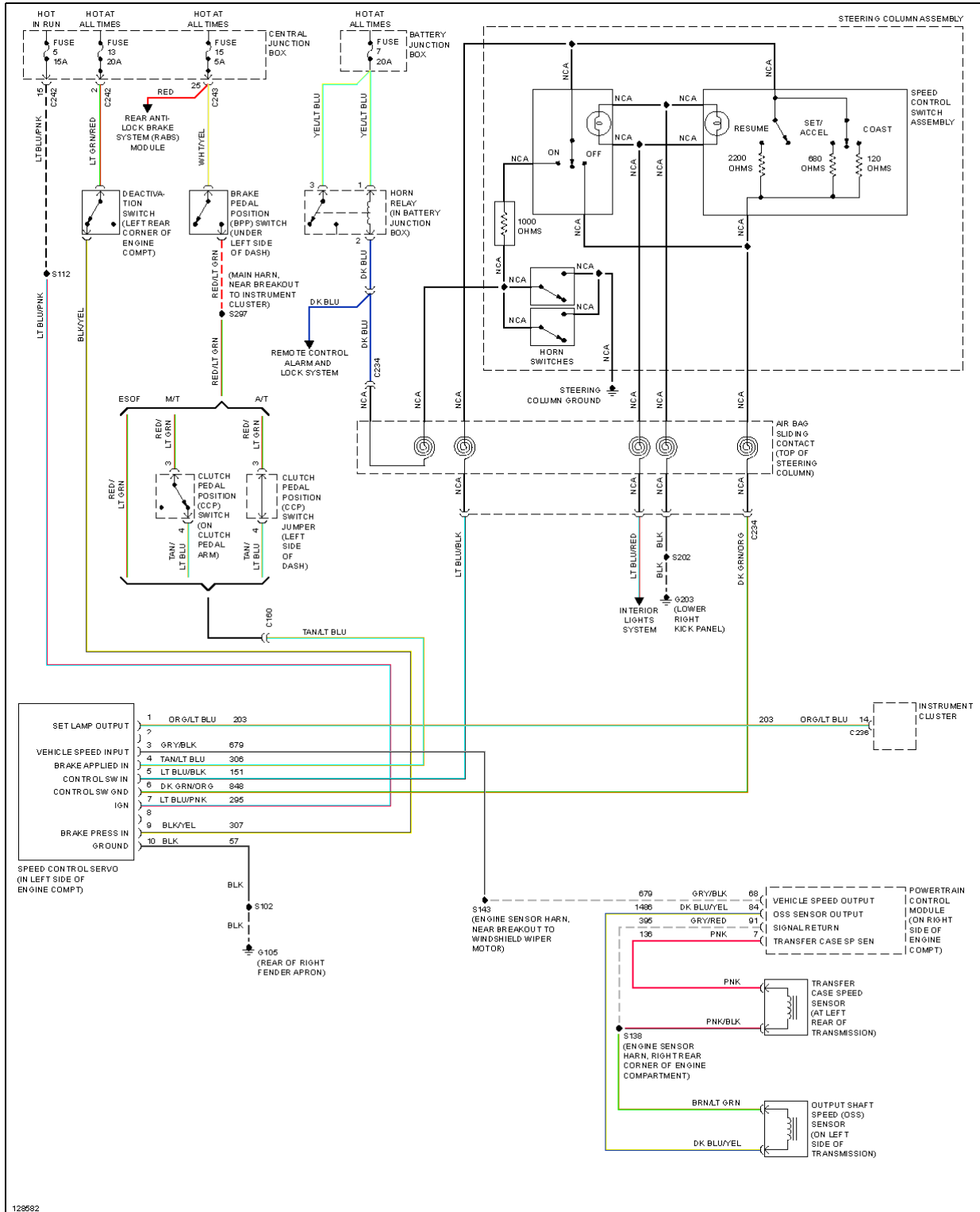


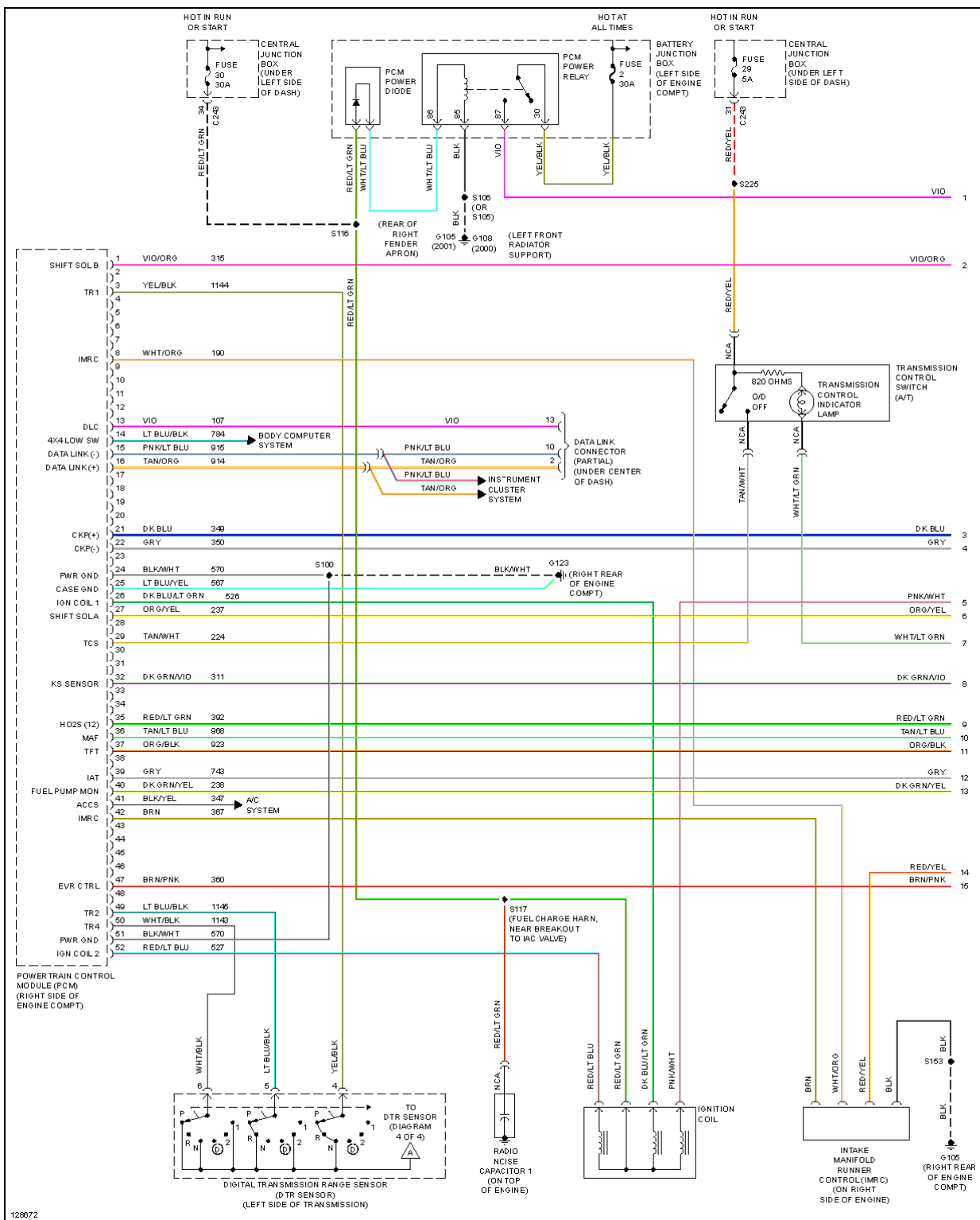
Fig. 10: Cruise Control Circuit

ENGINE PERFORMANCE

4.2L

2000 Ford Pickup F150

2000 System Wiring Diagrams Ford - Pickup F150



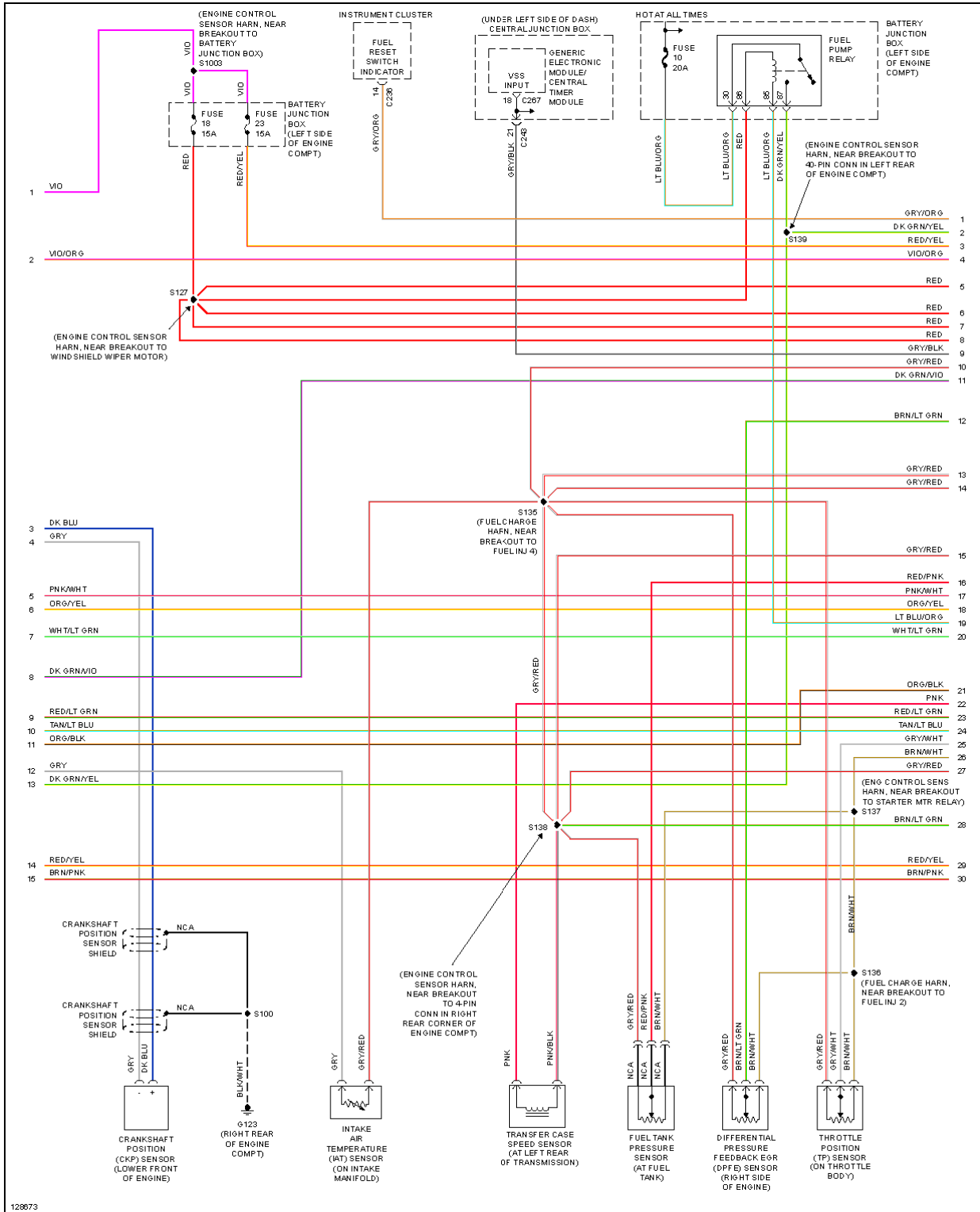
2000 Ford Pickup F150

2000 System Wiring Diagrams Ford - Pickup F150

Fig. 11: 4.2L, Engine Performance Circuits (1 of 4)

2000 Ford Pickup F150

2000 System Wiring Diagrams Ford - Pickup F150



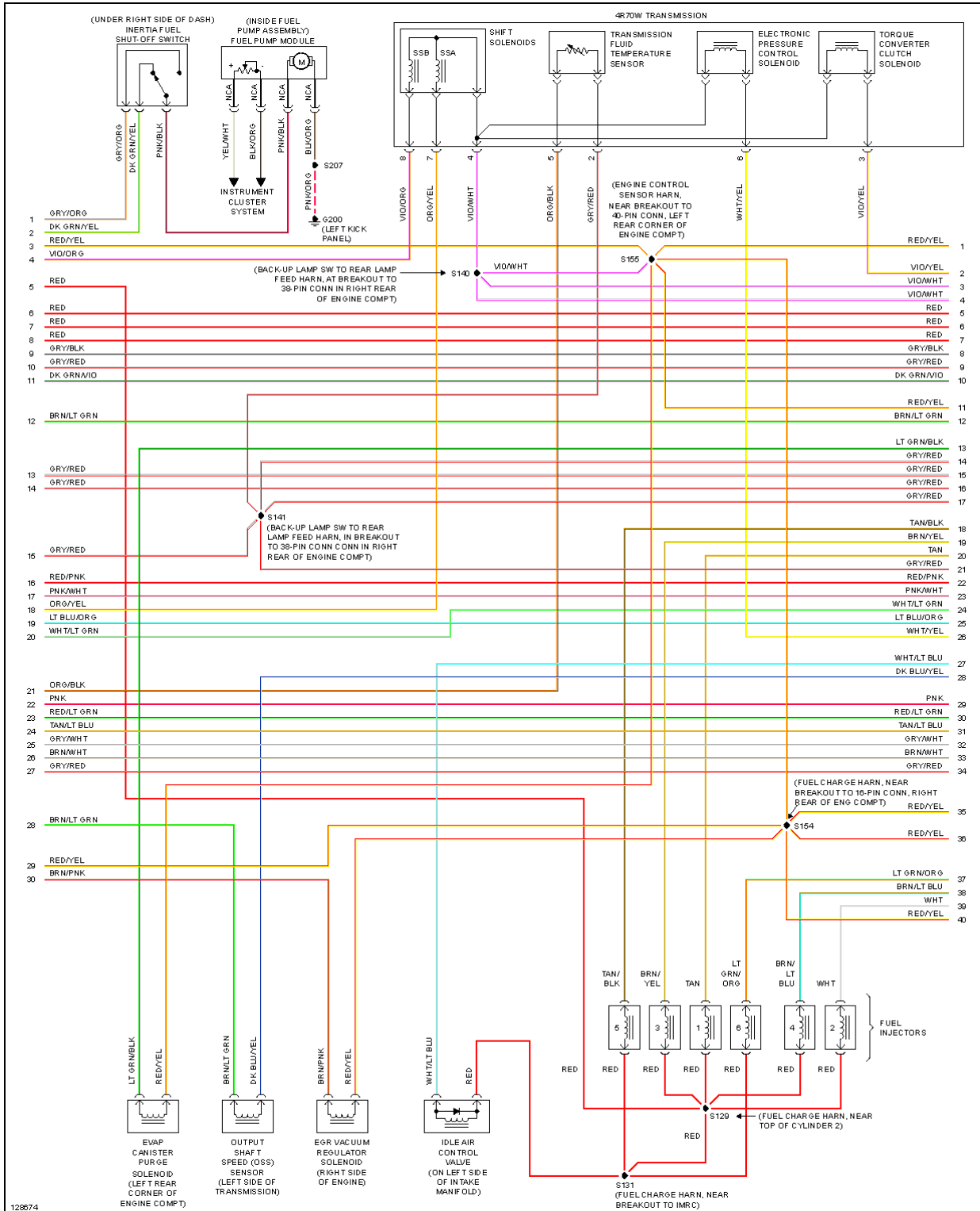
2000 Ford Pickup F150

2000 System Wiring Diagrams Ford - Pickup F150

Fig. 12: 4.2L, Engine Performance Circuits (2 of 4)

2000 Ford Pickup F150

2000 System Wiring Diagrams Ford - Pickup F150



2000 Ford Pickup F150

2000 System Wiring Diagrams Ford - Pickup F150

Fig. 13: 4.2L, Engine Performance Circuits (3 of 4)

2000 Ford Pickup F150

2000 System Wiring Diagrams Ford - Pickup F150

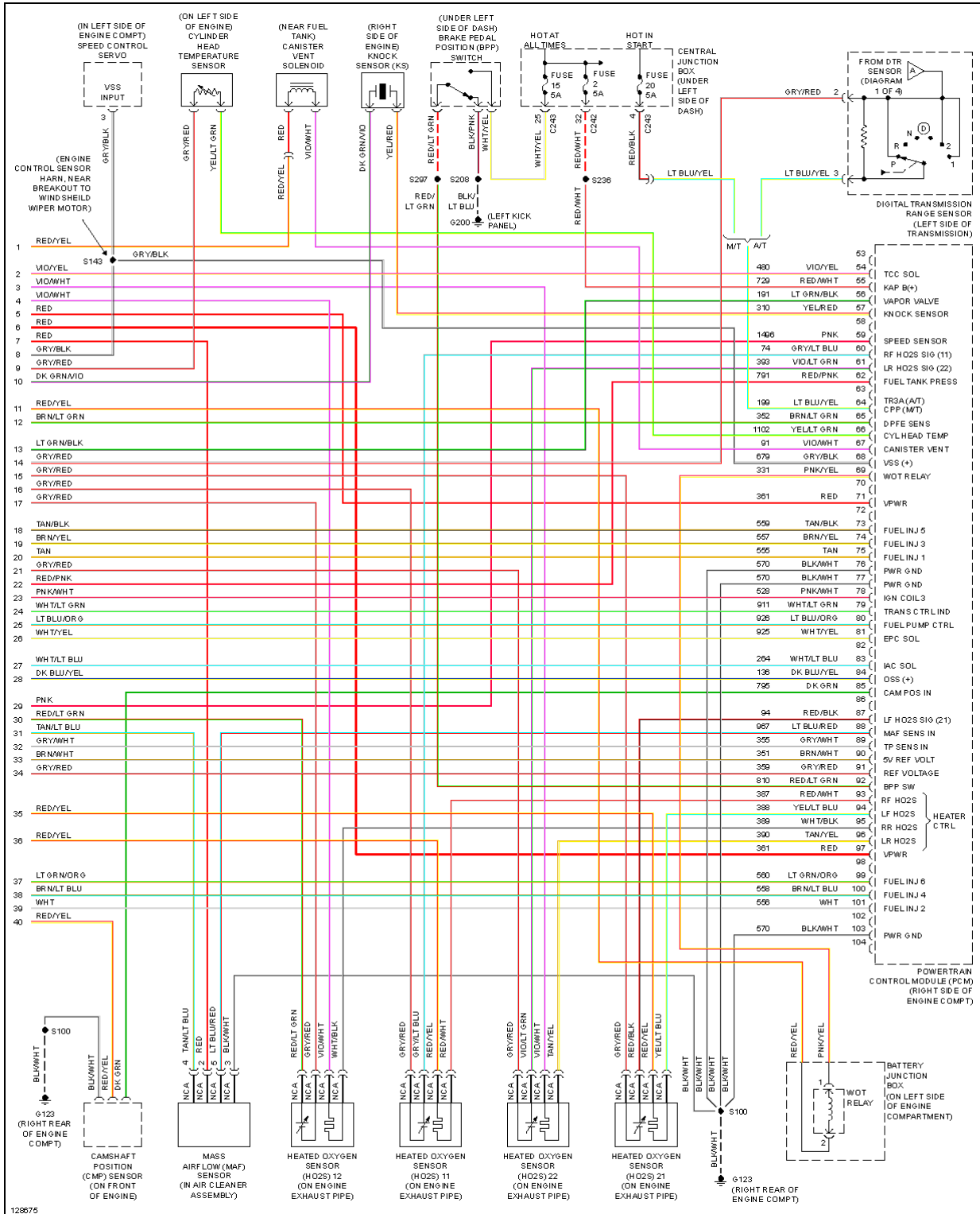
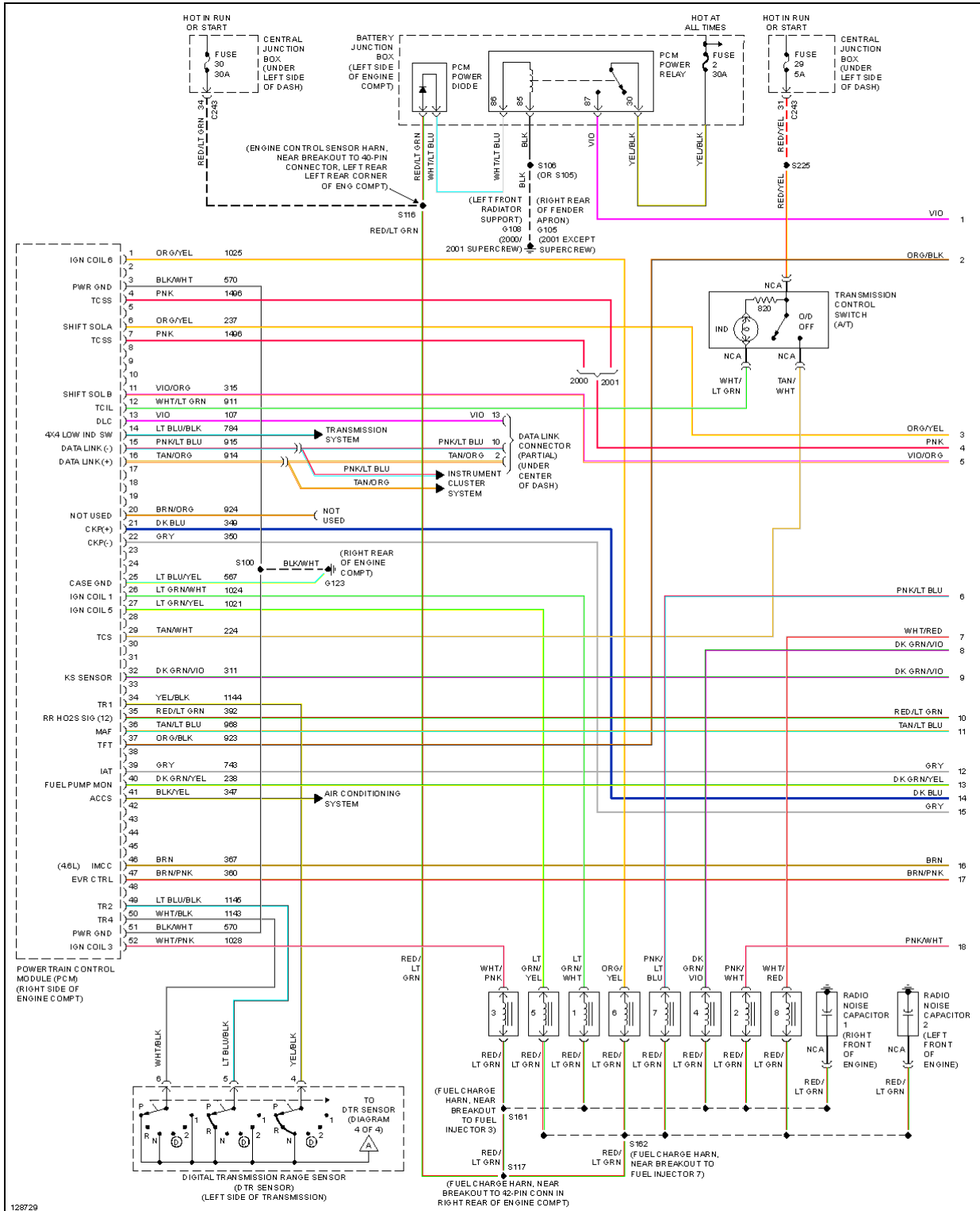


Fig. 14: 4.2L, Engine Performance Circuits (4 of 4)

4.6L

2000 Ford Pickup F150

2000 System Wiring Diagrams Ford - Pickup F150



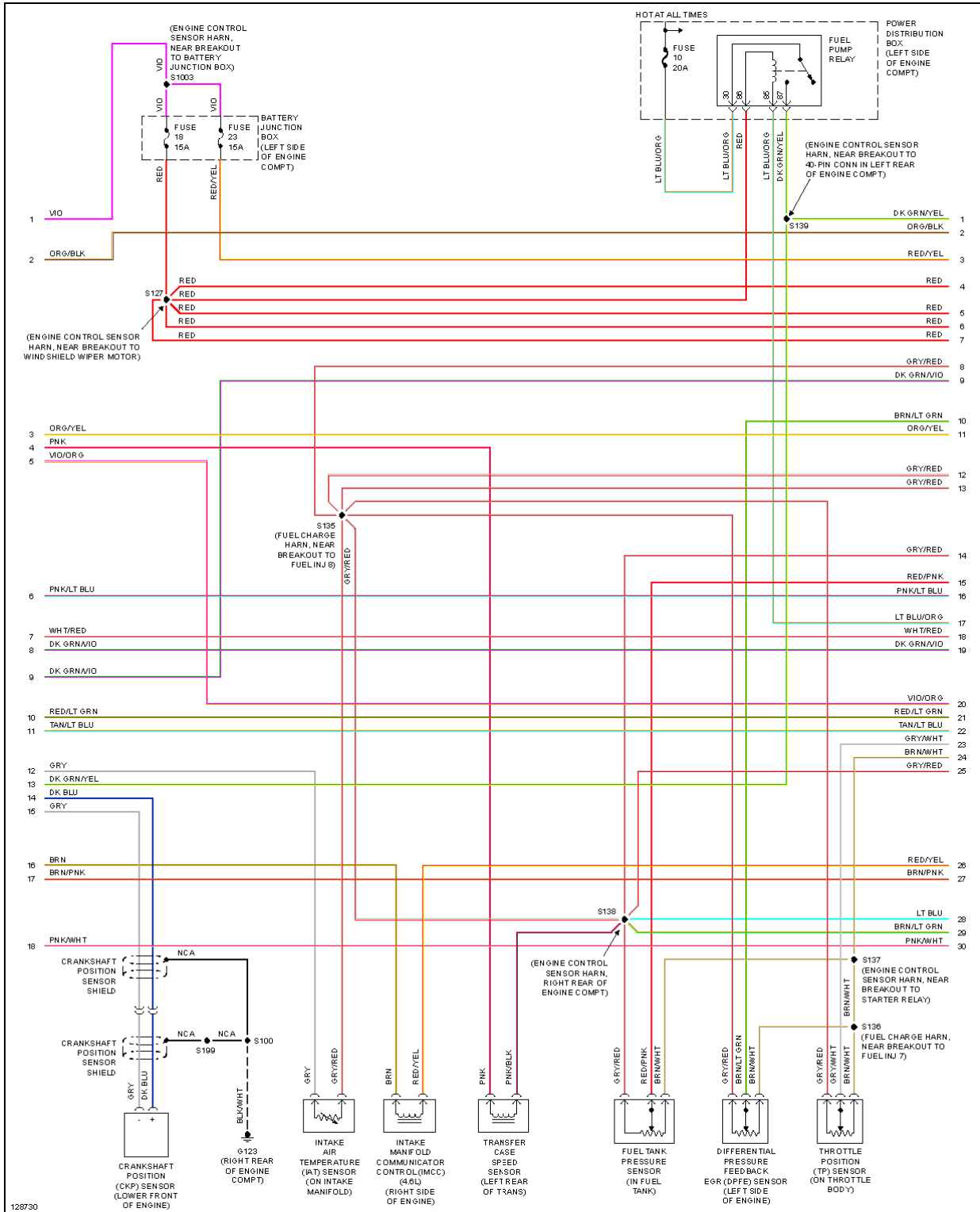
2000 Ford Pickup F150

2000 System Wiring Diagrams Ford - Pickup F150

Fig. 15: 4.6L, Engine Performance Circuits (1 of 4)

2000 Ford Pickup F150

2000 System Wiring Diagrams Ford - Pickup F150



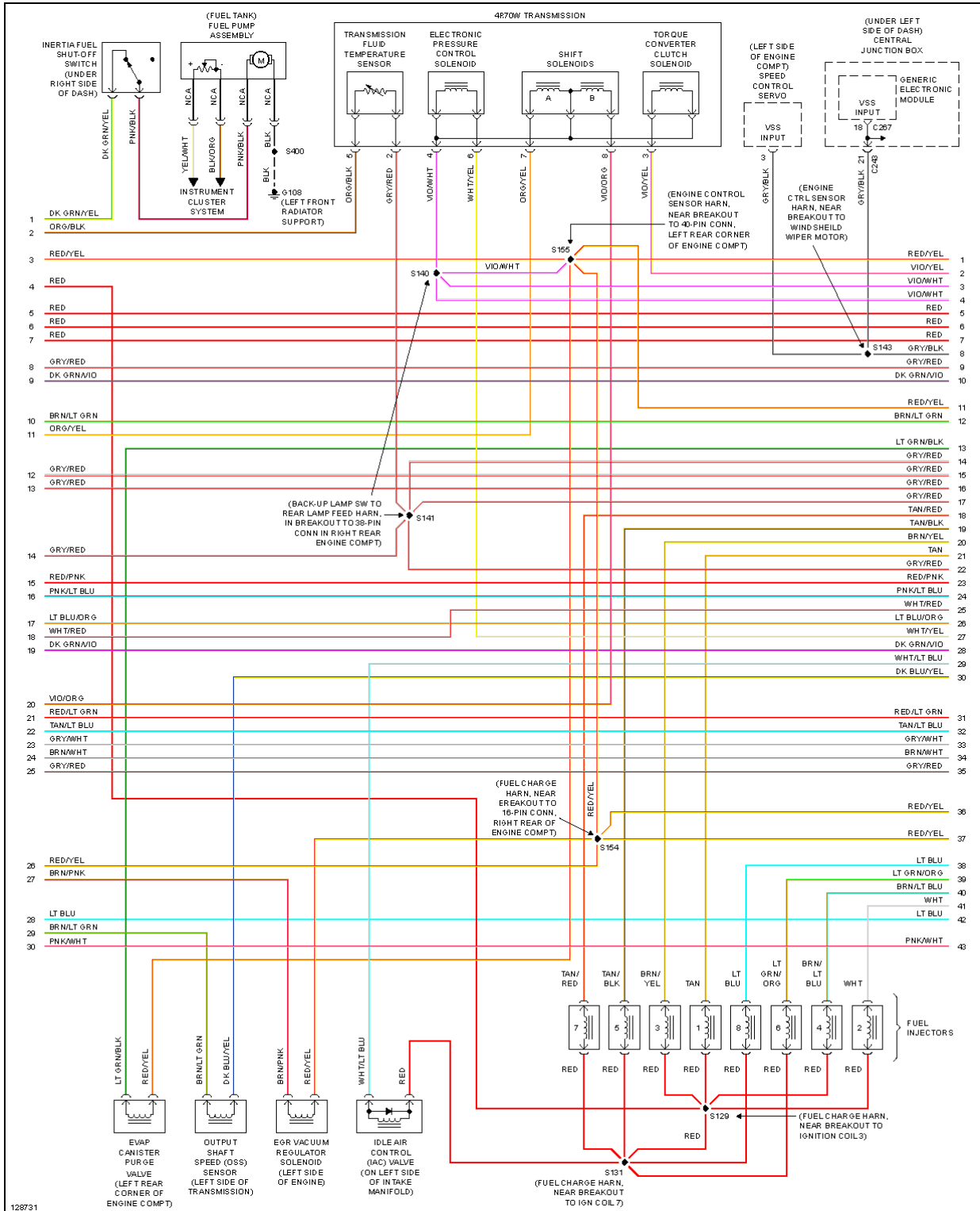
2000 Ford Pickup F150

2000 System Wiring Diagrams Ford - Pickup F150

Fig. 16: 4.6L, Engine Performance Circuits (2 of 4)

2000 Ford Pickup F150

2000 System Wiring Diagrams Ford - Pickup F150



2000 Ford Pickup F150

2000 System Wiring Diagrams Ford - Pickup F150

Fig. 17: 4.6L, Engine Performance Circuits (3 of 4)

2000 Ford Pickup F150

2000 System Wiring Diagrams Ford - Pickup F150

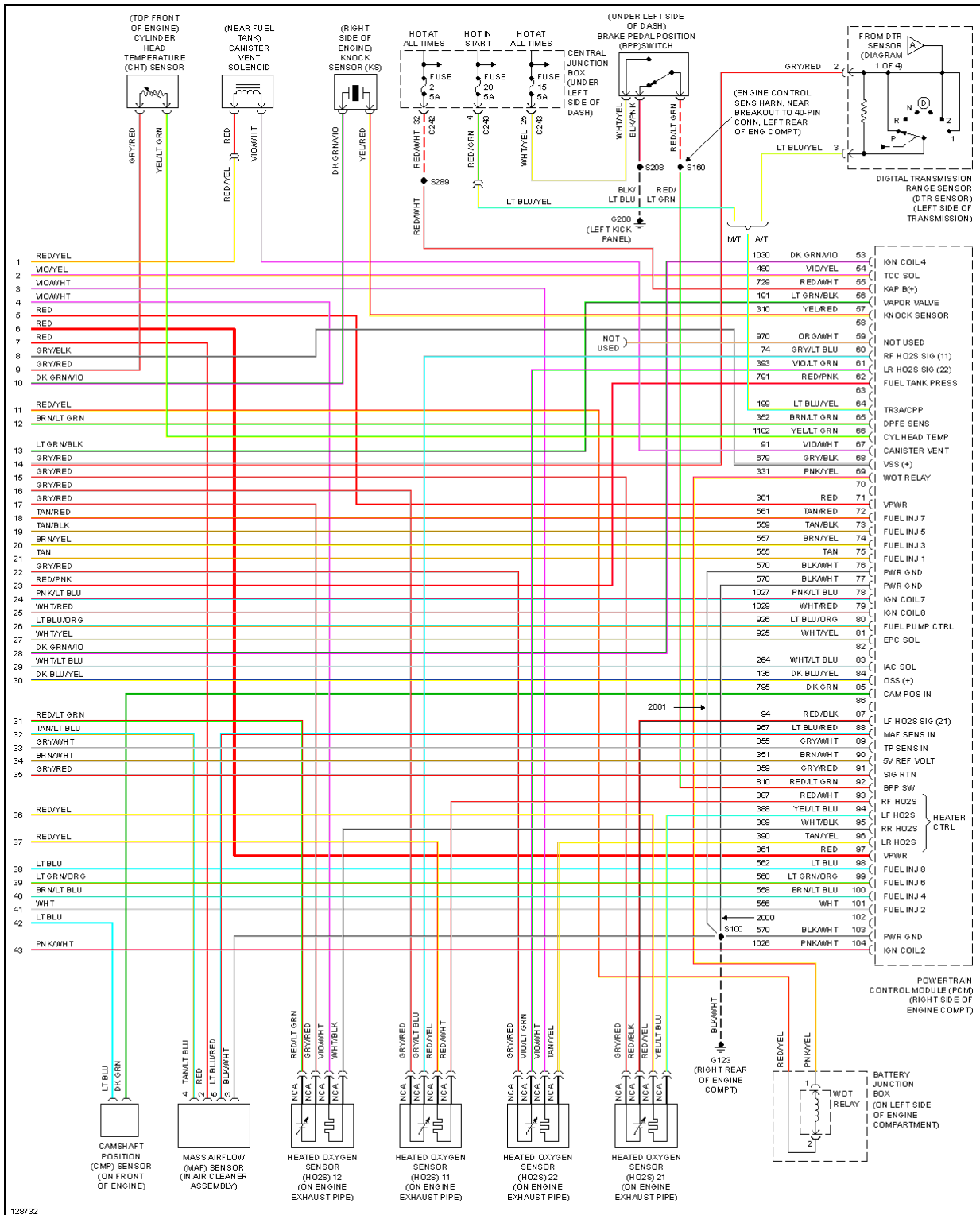
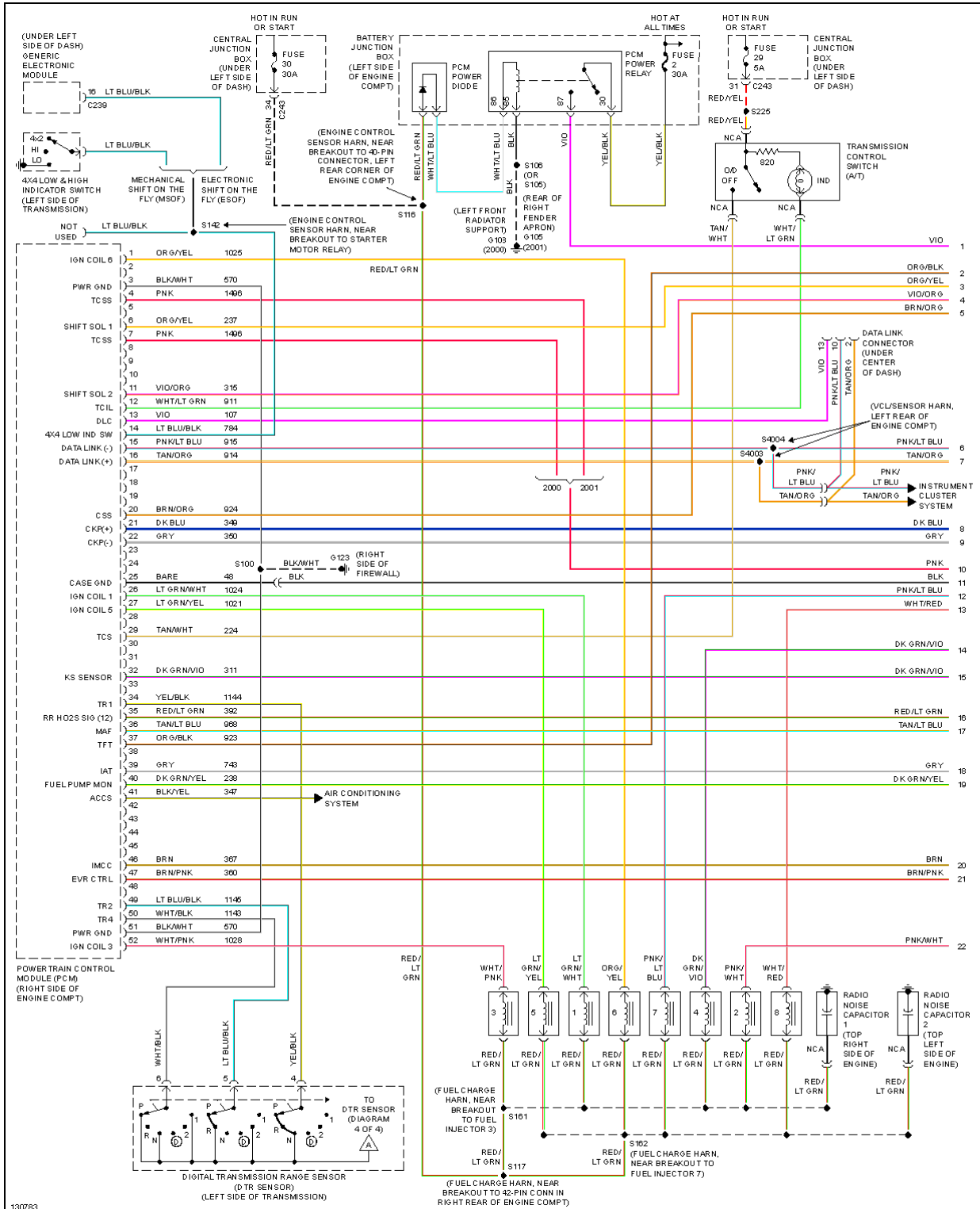


Fig. 18: 4.6L, Engine Performance Circuits (4 of 4)

5.4L

2000 Ford Pickup F150

2000 System Wiring Diagrams Ford - Pickup F150



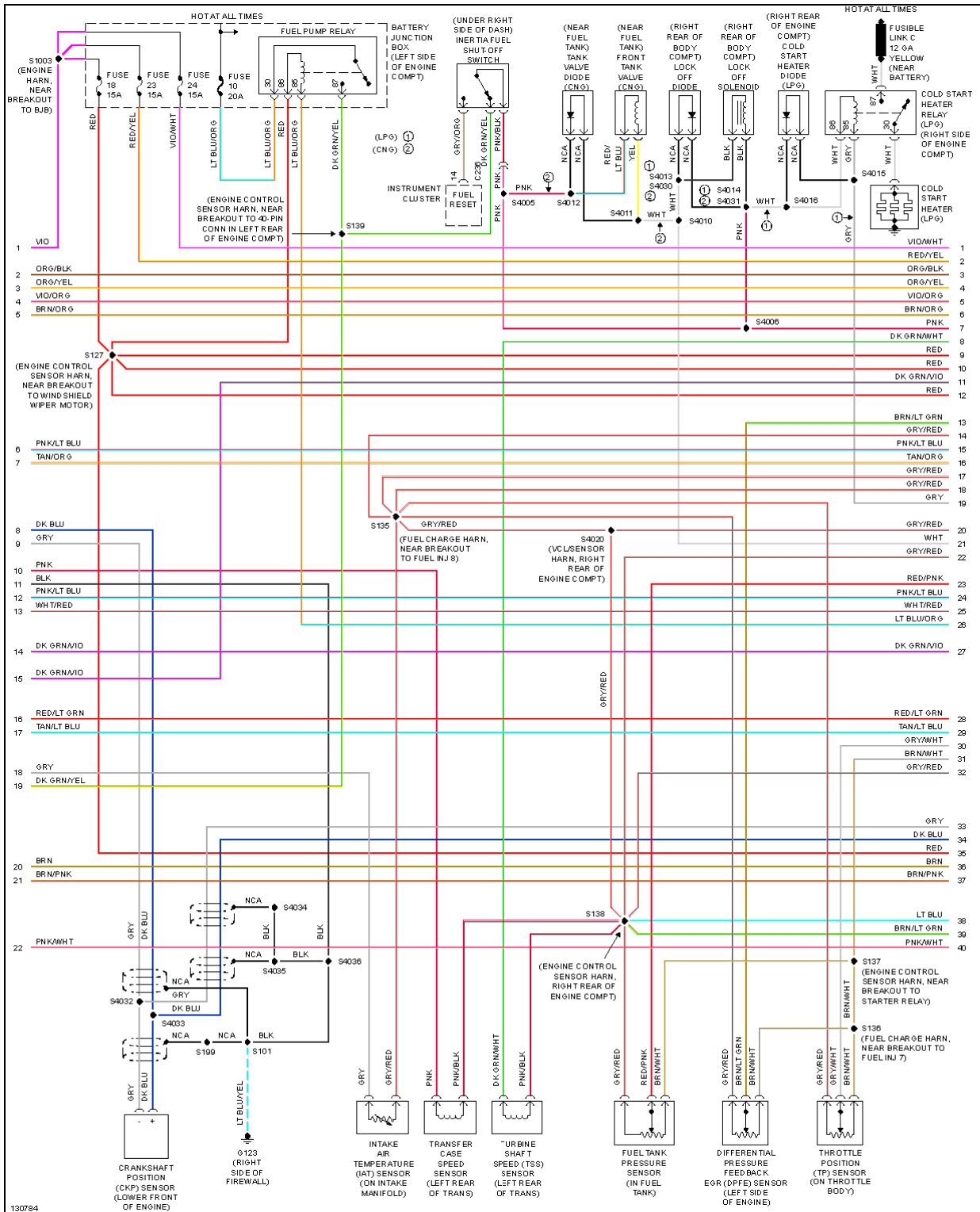
2000 Ford Pickup F150

2000 System Wiring Diagrams Ford - Pickup F150

Fig. 19: 5.4L Bi-Fuel, Engine Performance Circuits (1 of 5)

2000 Ford Pickup F150

2000 System Wiring Diagrams Ford - Pickup F150



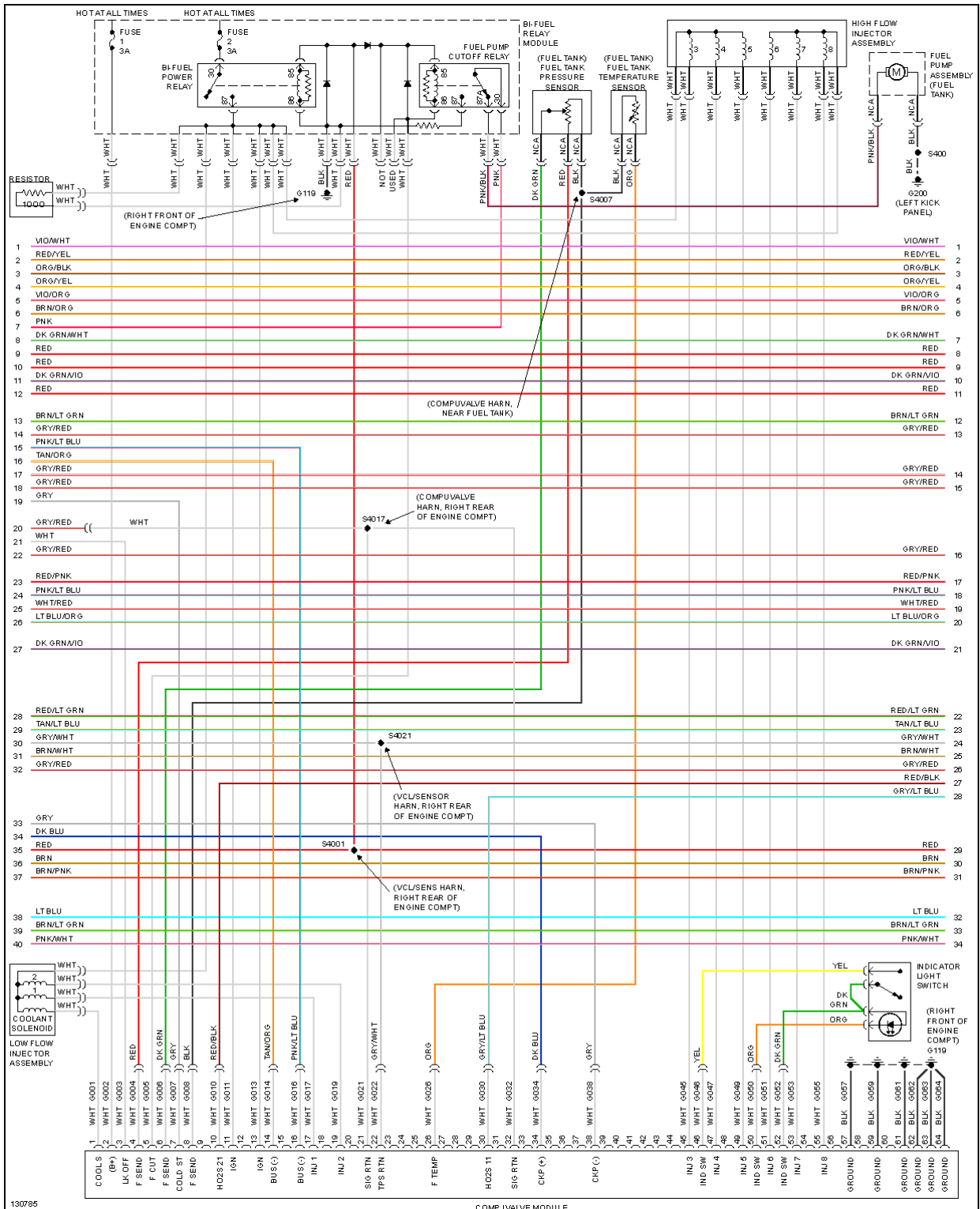
2000 Ford Pickup F150

2000 System Wiring Diagrams Ford - Pickup F150

Fig. 20: 5.4L Bi-Fuel, Engine Performance Circuits (2 of 5)

2000 Ford Pickup F150

2000 System Wiring Diagrams Ford - Pickup F150



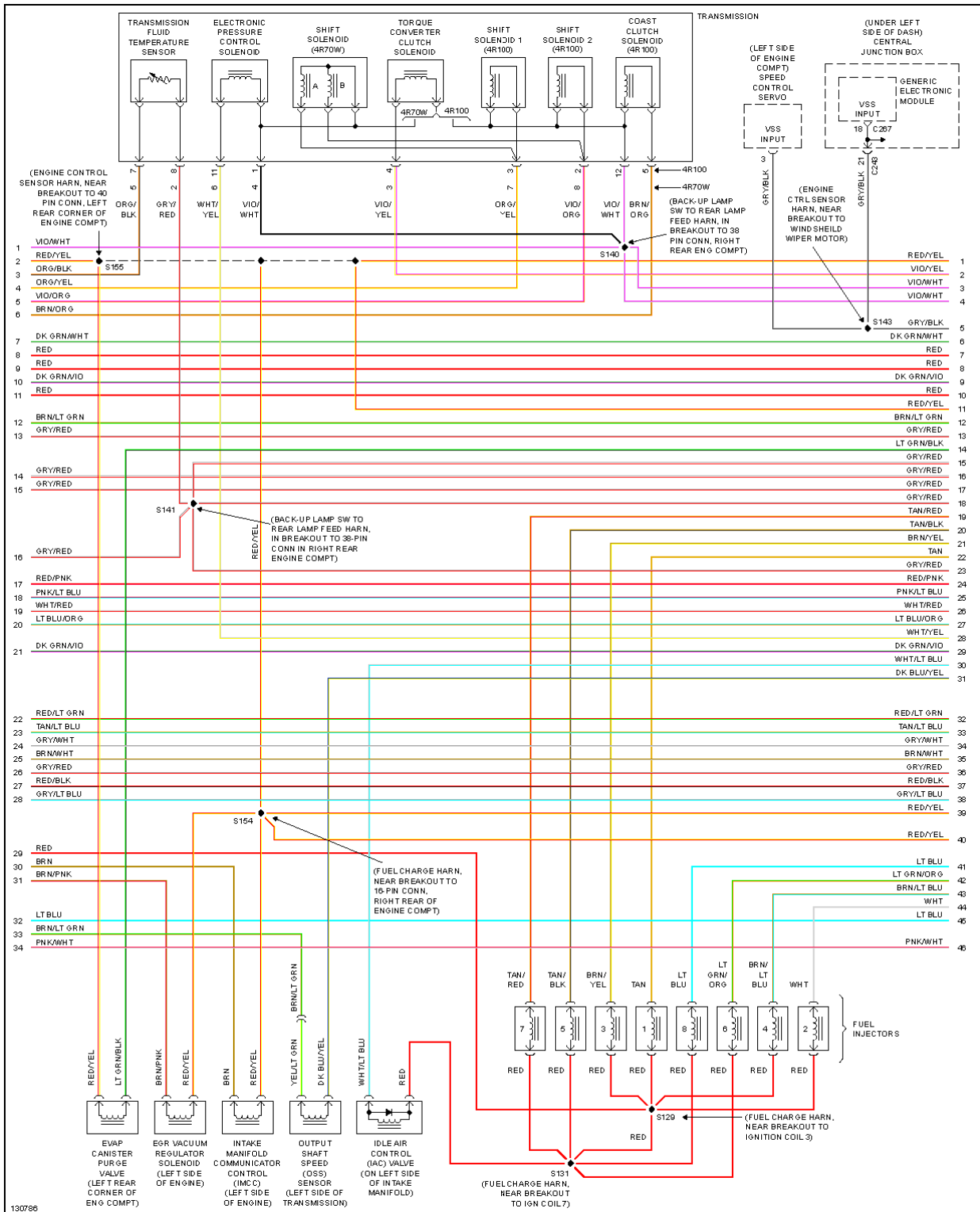
2000 Ford Pickup F150

2000 System Wiring Diagrams Ford - Pickup F150

Fig. 21: 5.4L Bi-Fuel, Engine Performance Circuits (3 of 5)

2000 Ford Pickup F150

2000 System Wiring Diagrams Ford - Pickup F150



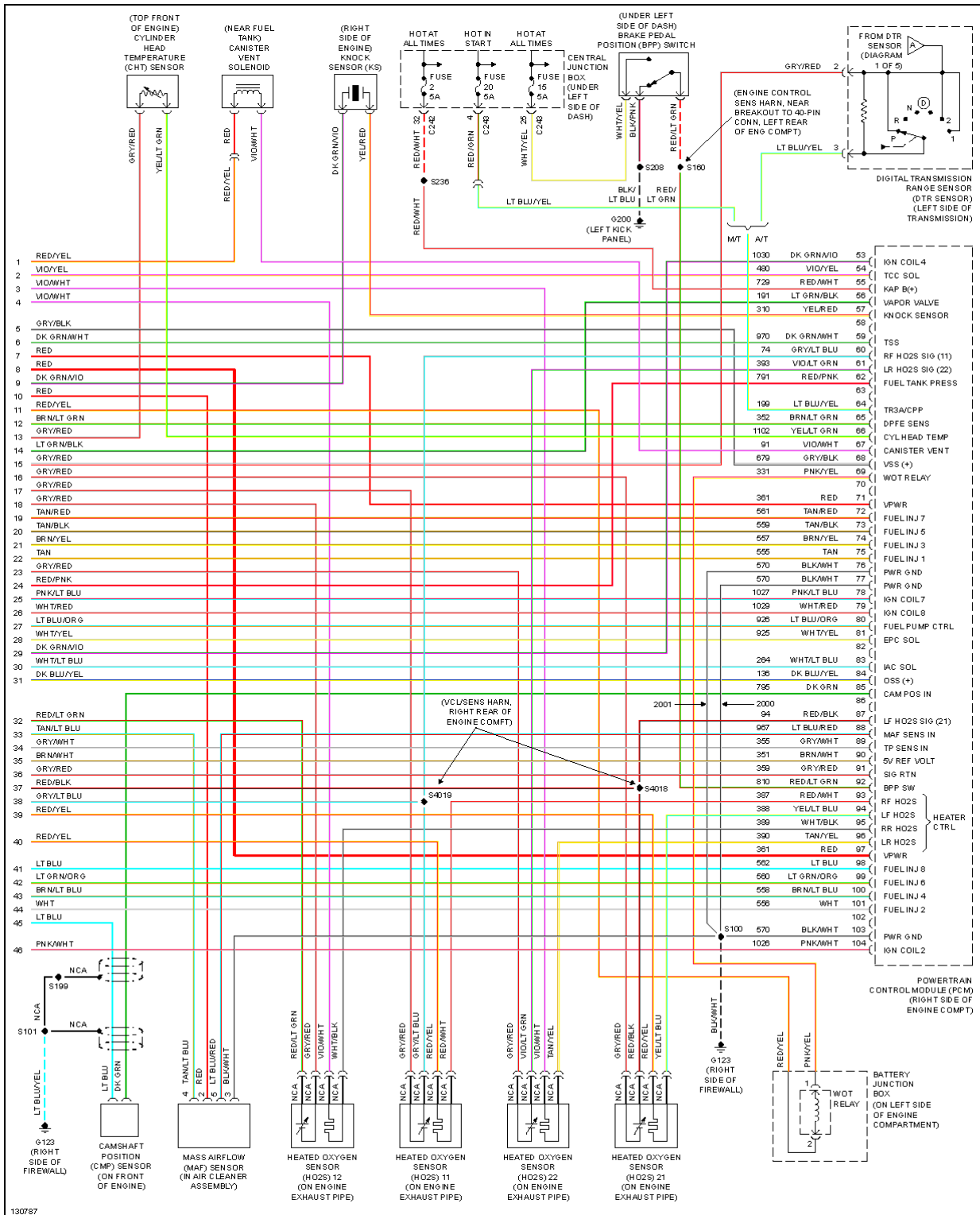
2000 Ford Pickup F150

2000 System Wiring Diagrams Ford - Pickup F150

Fig. 22: 5.4L Bi-Fuel, Engine Performance Circuits (4 of 5)

2000 Ford Pickup F150

2000 System Wiring Diagrams Ford - Pickup F150



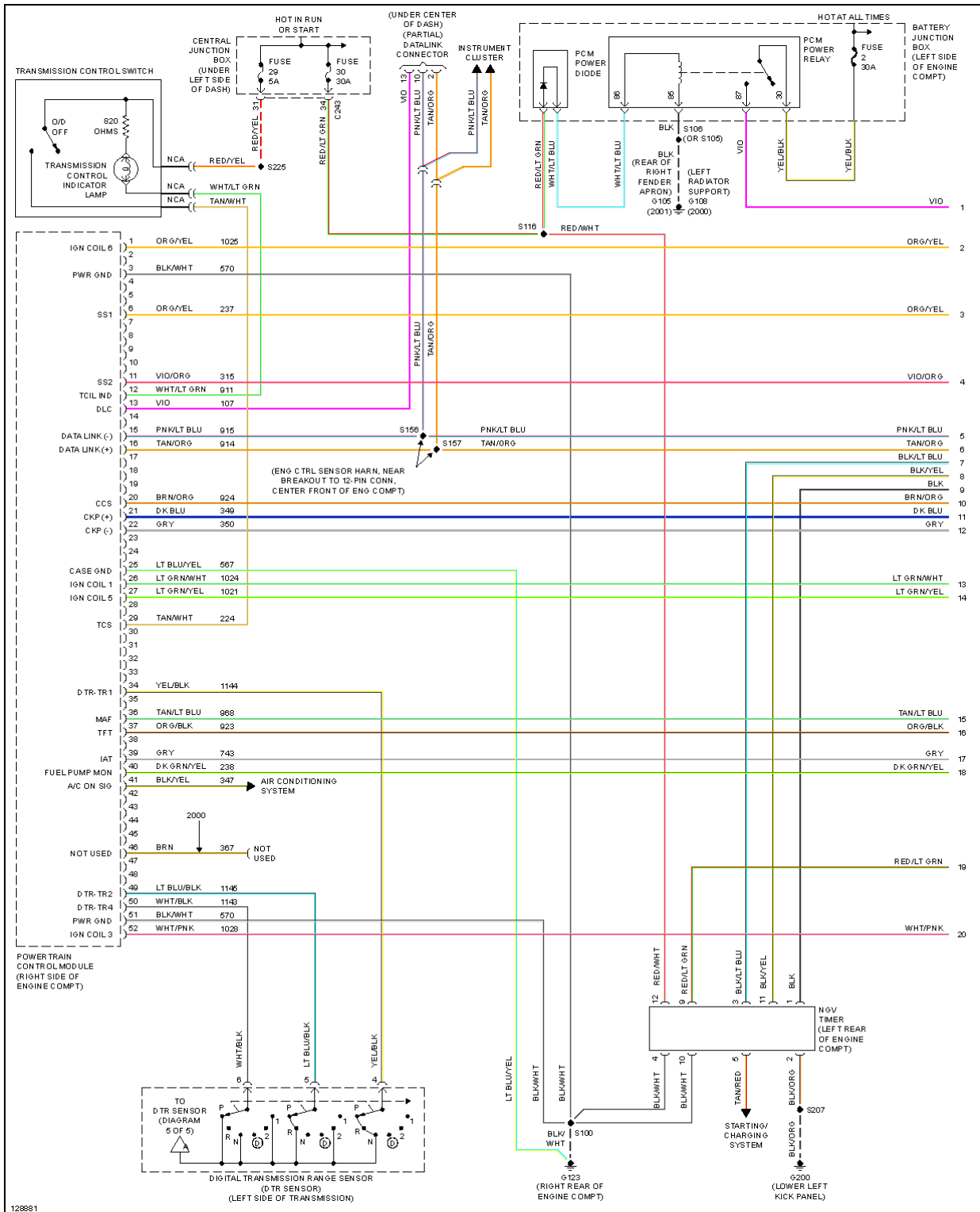
2000 Ford Pickup F150

2000 System Wiring Diagrams Ford - Pickup F150

Fig. 23: 5.4L Bi-Fuel, Engine Performance Circuits (5 of 5)

2000 Ford Pickup F150

2000 System Wiring Diagrams Ford - Pickup F150



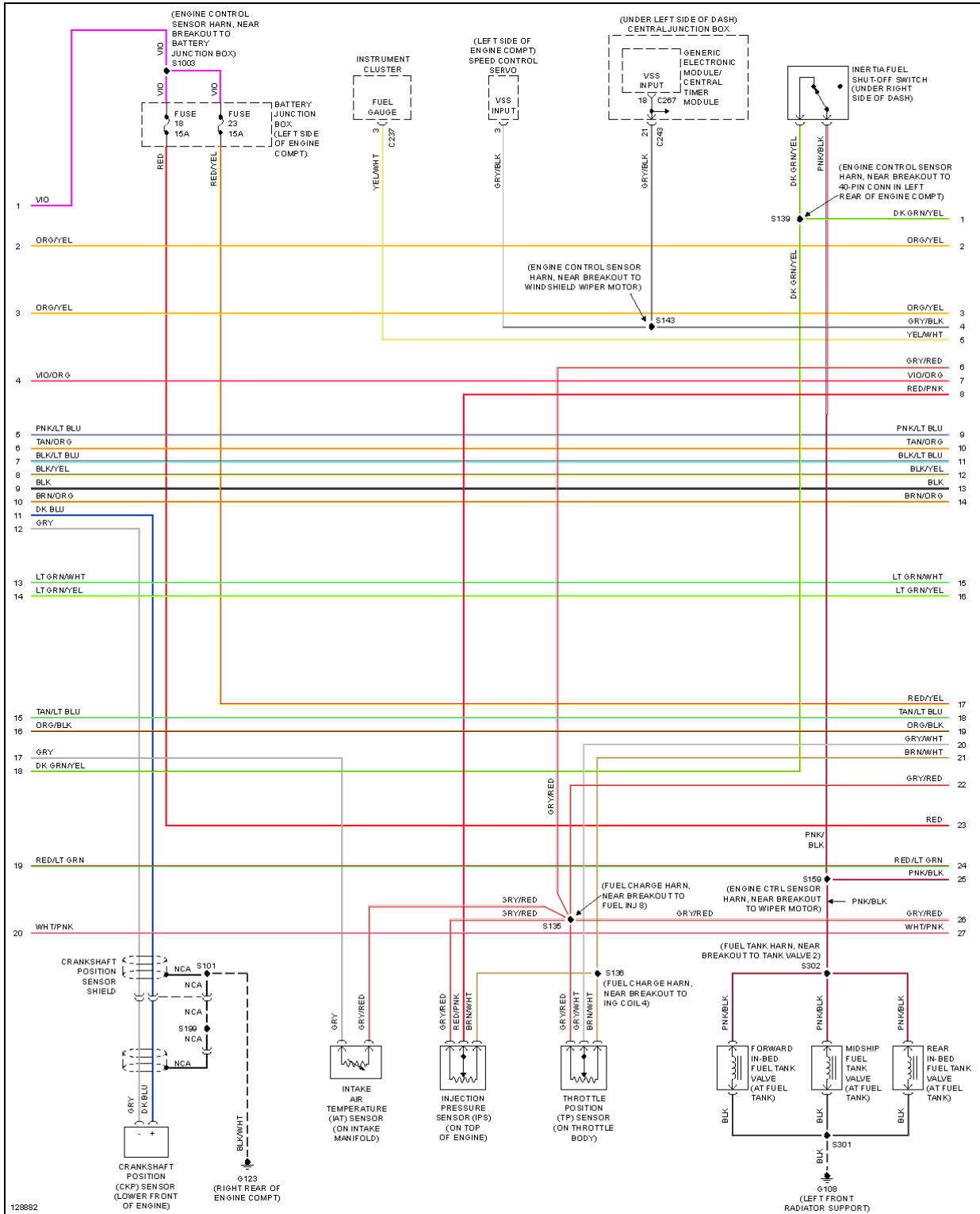
2000 Ford Pickup F150

2000 System Wiring Diagrams Ford - Pickup F150

Fig. 24: 5.4L CNG, Engine Performance Circuits (1 of 5)

2000 Ford Pickup F150

2000 System Wiring Diagrams Ford - Pickup F150



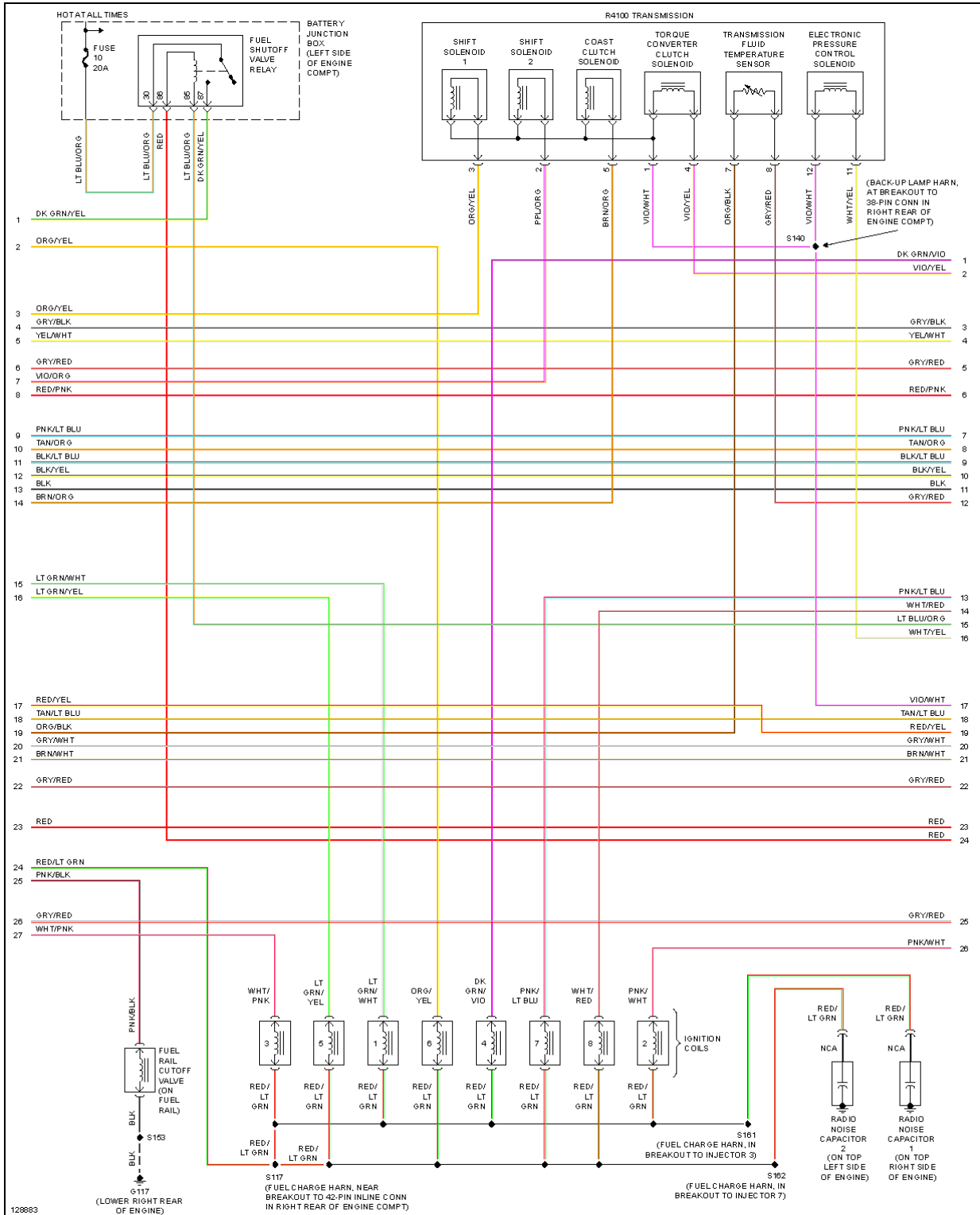
2000 Ford Pickup F150

2000 System Wiring Diagrams Ford - Pickup F150

Fig. 25: 5.4L CNG, Engine Performance Circuits (2 of 5)

2000 Ford Pickup F150

2000 System Wiring Diagrams Ford - Pickup F150



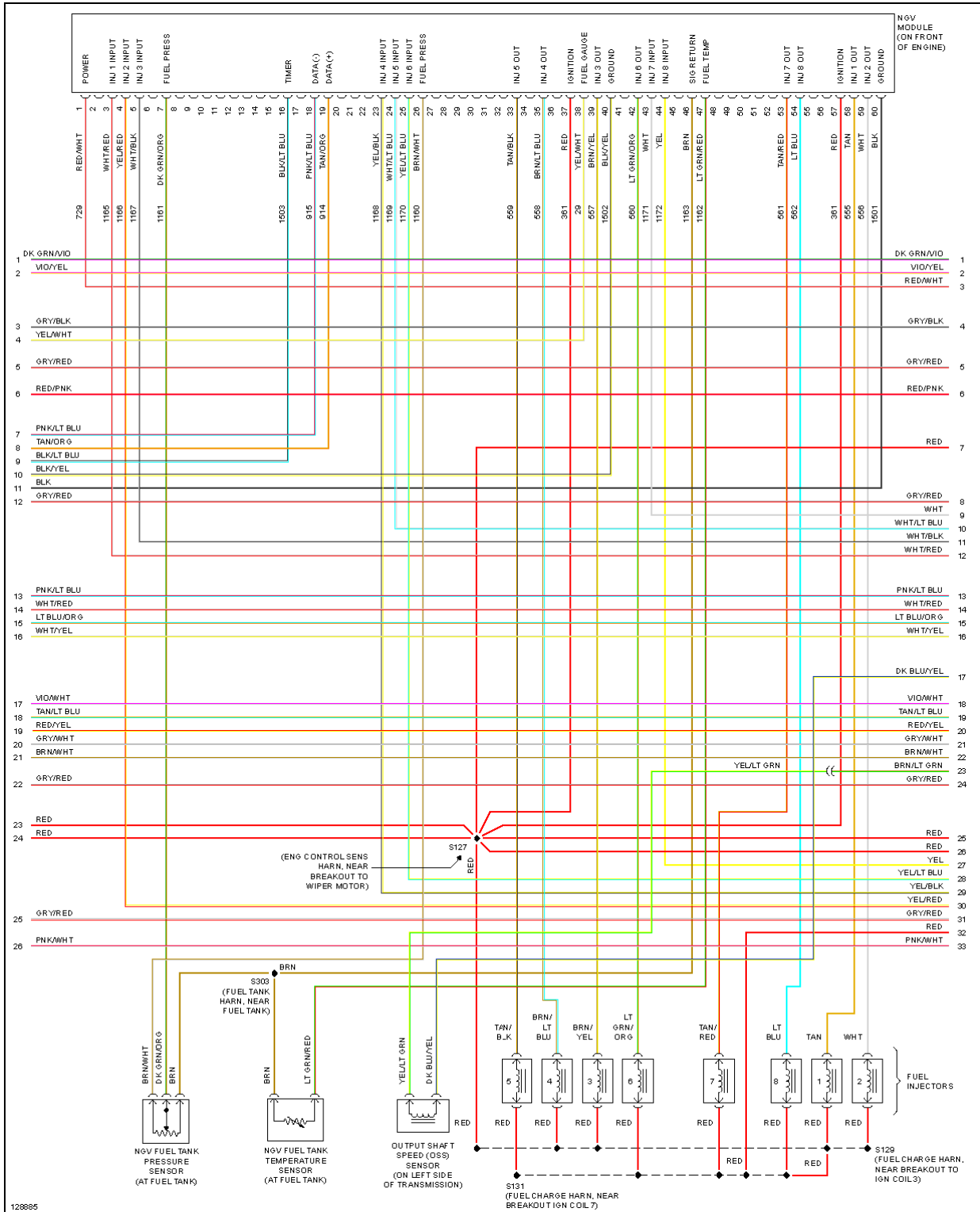
2000 Ford Pickup F150

2000 System Wiring Diagrams Ford - Pickup F150

Fig. 26: 5.4L CNG, Engine Performance Circuits (3 of 5)

2000 Ford Pickup F150

2000 System Wiring Diagrams Ford - Pickup F150



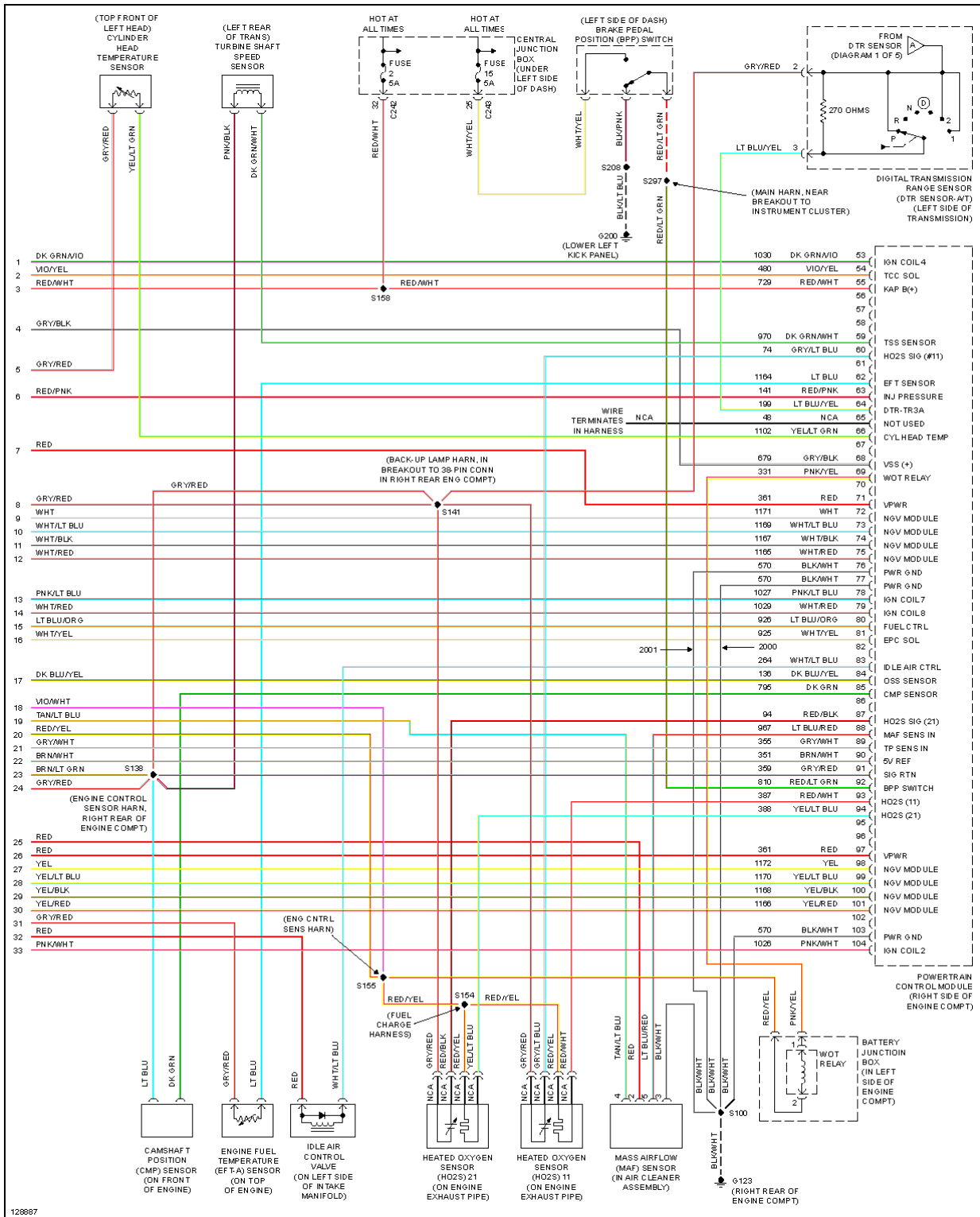
2000 Ford Pickup F150

2000 System Wiring Diagrams Ford - Pickup F150

Fig. 27: 5.4L CNG, Engine Performance Circuits (4 of 5)

2000 Ford Pickup F150

2000 System Wiring Diagrams Ford - Pickup F150



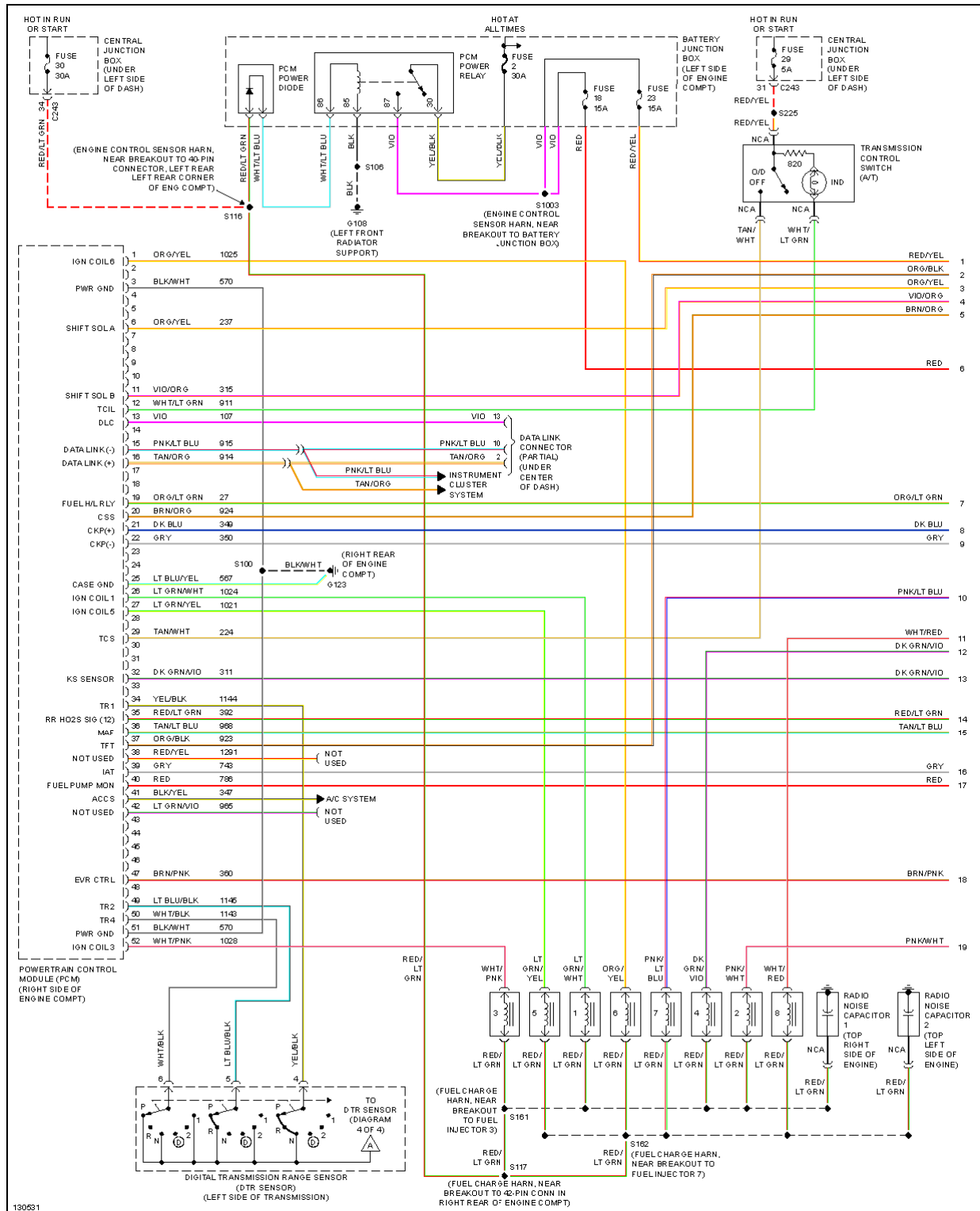
2000 Ford Pickup F150

2000 System Wiring Diagrams Ford - Pickup F150

Fig. 28: 5.4L CNG, Engine Performance Circuits (5 of 5)

2000 Ford Pickup F150

2000 System Wiring Diagrams Ford - Pickup F150



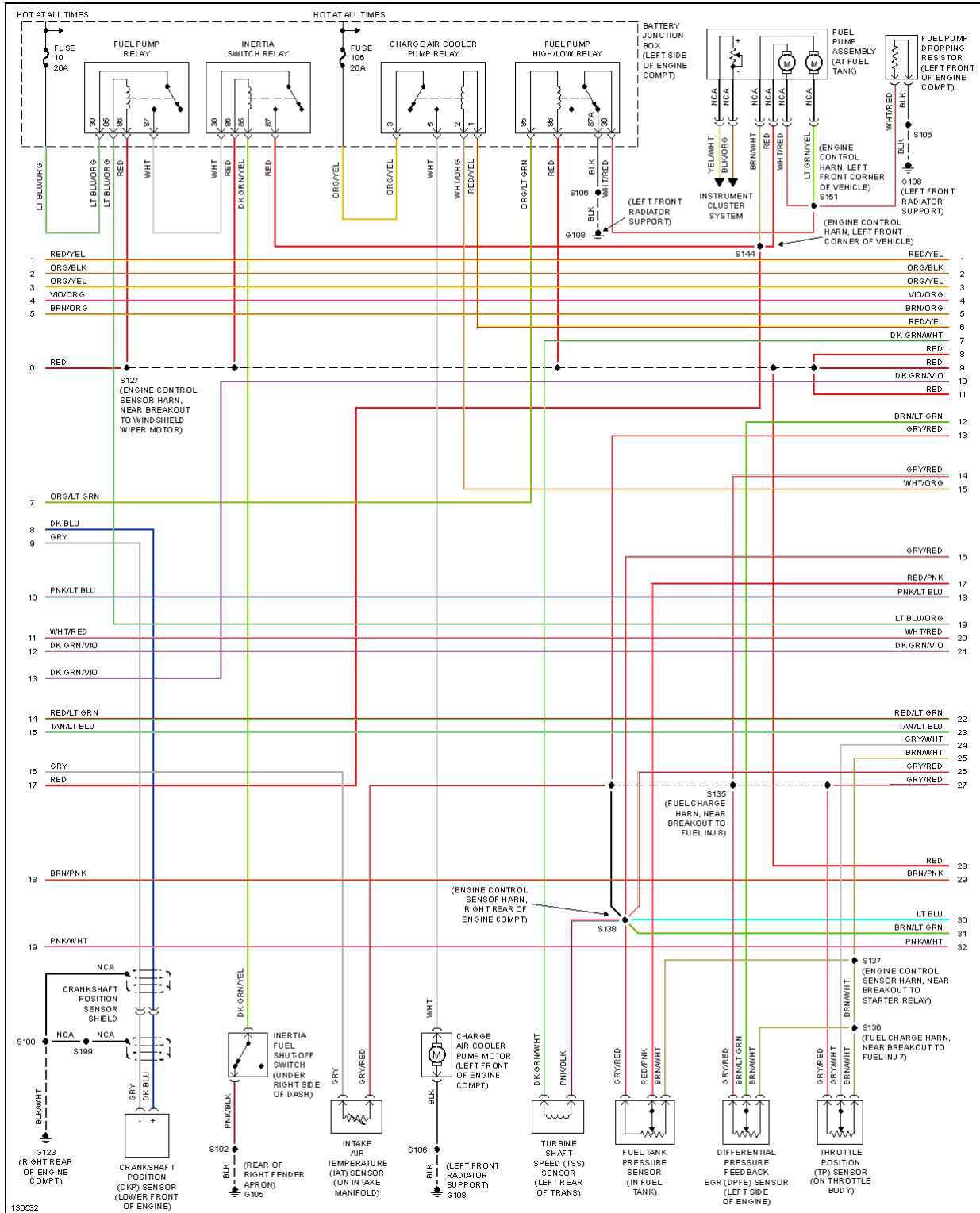
2000 Ford Pickup F150

2000 System Wiring Diagrams Ford - Pickup F150

Fig. 29: 5.4L Supercharged, Engine Performance Circuits (1 of 4)

2000 Ford Pickup F150

2000 System Wiring Diagrams Ford - Pickup F150



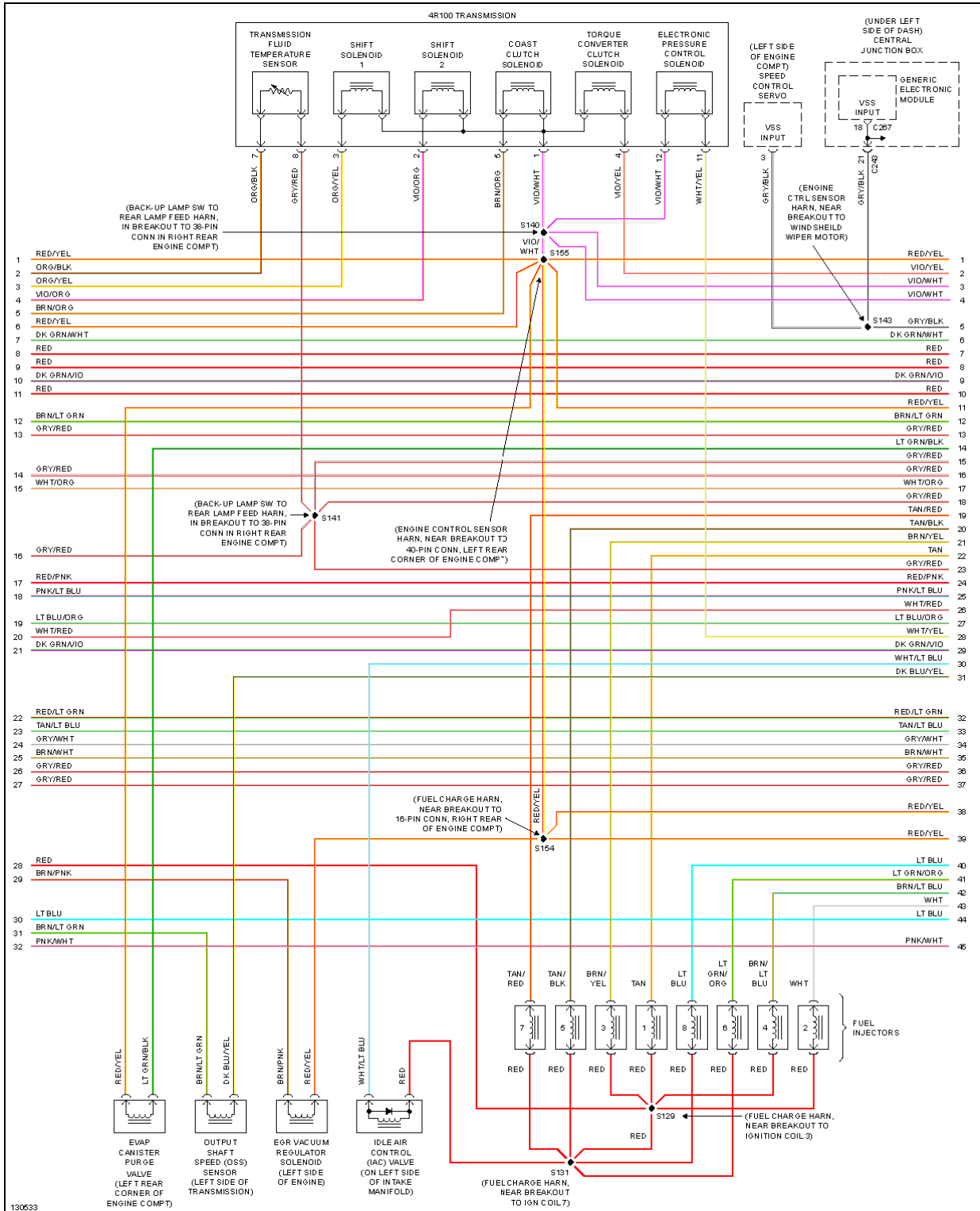
2000 Ford Pickup F150

2000 System Wiring Diagrams Ford - Pickup F150

Fig. 30: 5.4L Supercharged, Engine Performance Circuits (2 of 4)

2000 Ford Pickup F150

2000 System Wiring Diagrams Ford - Pickup F150



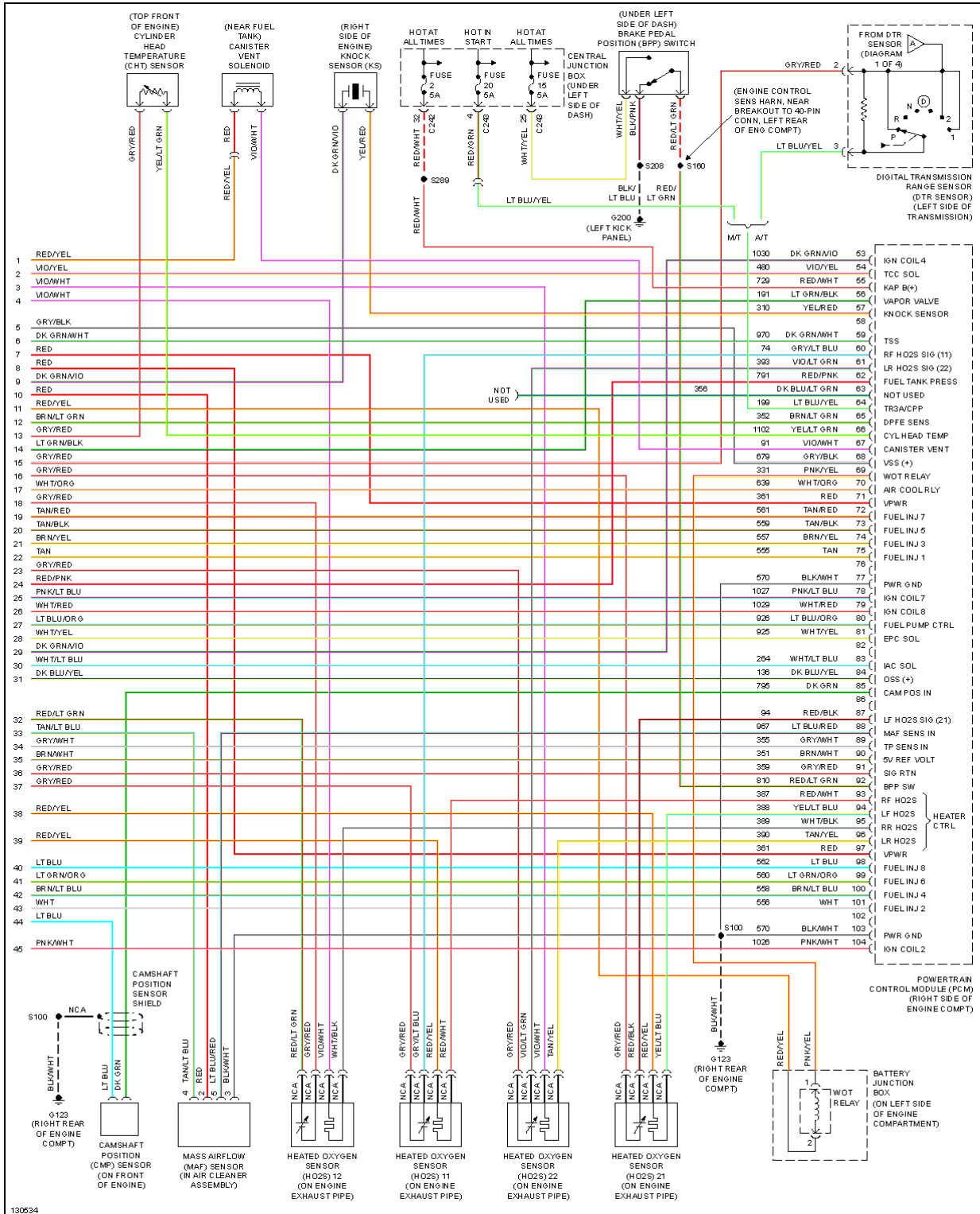
2000 Ford Pickup F150

2000 System Wiring Diagrams Ford - Pickup F150

Fig. 31: 5.4L Supercharged, Engine Performance Circuits (3 of 4)

2000 Ford Pickup F150

2000 System Wiring Diagrams Ford - Pickup F150



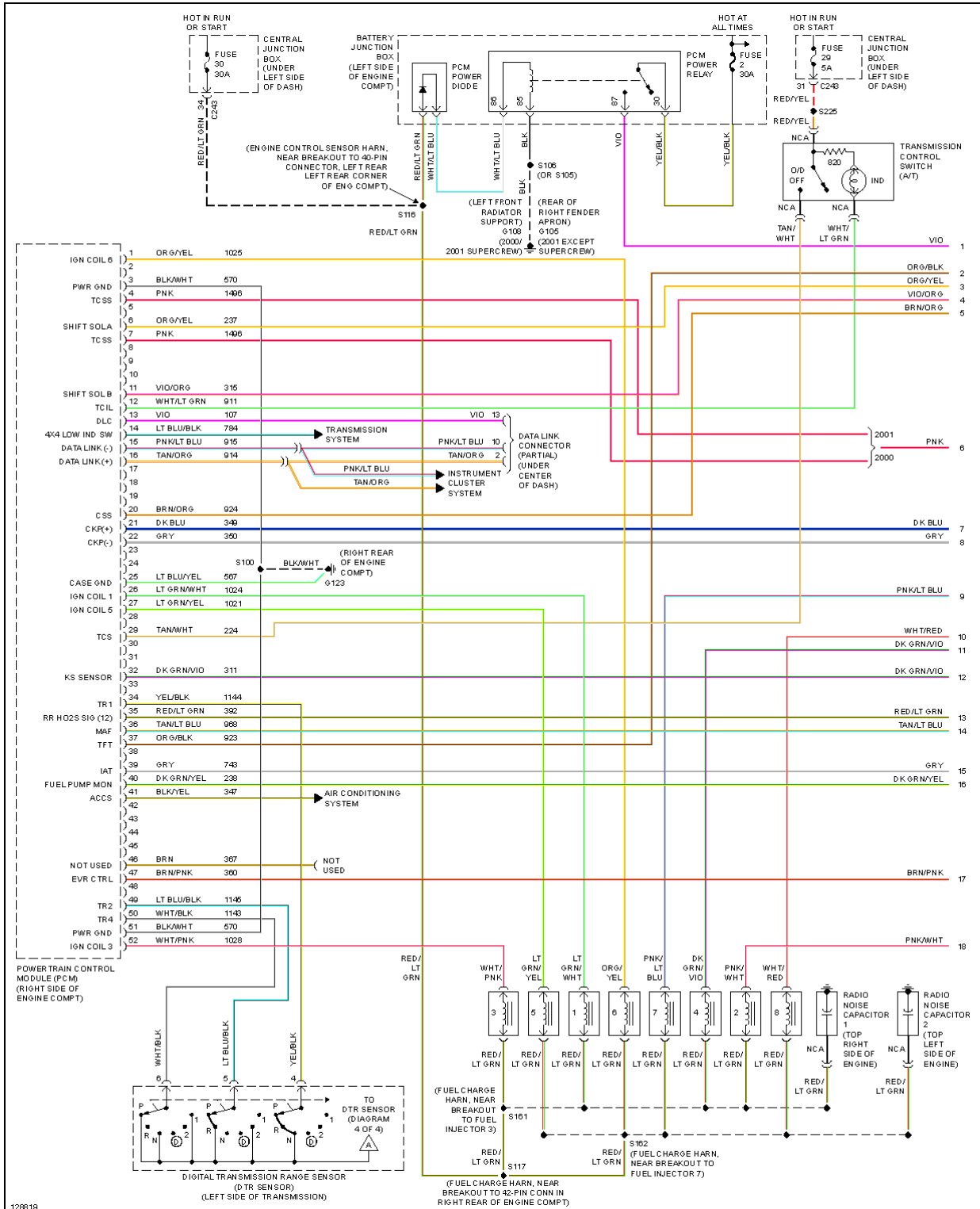
2000 Ford Pickup F150

2000 System Wiring Diagrams Ford - Pickup F150

Fig. 32: 5.4L Supercharged, Engine Performance Circuits (4 of 4)

2000 Ford Pickup F150

2000 System Wiring Diagrams Ford - Pickup F150



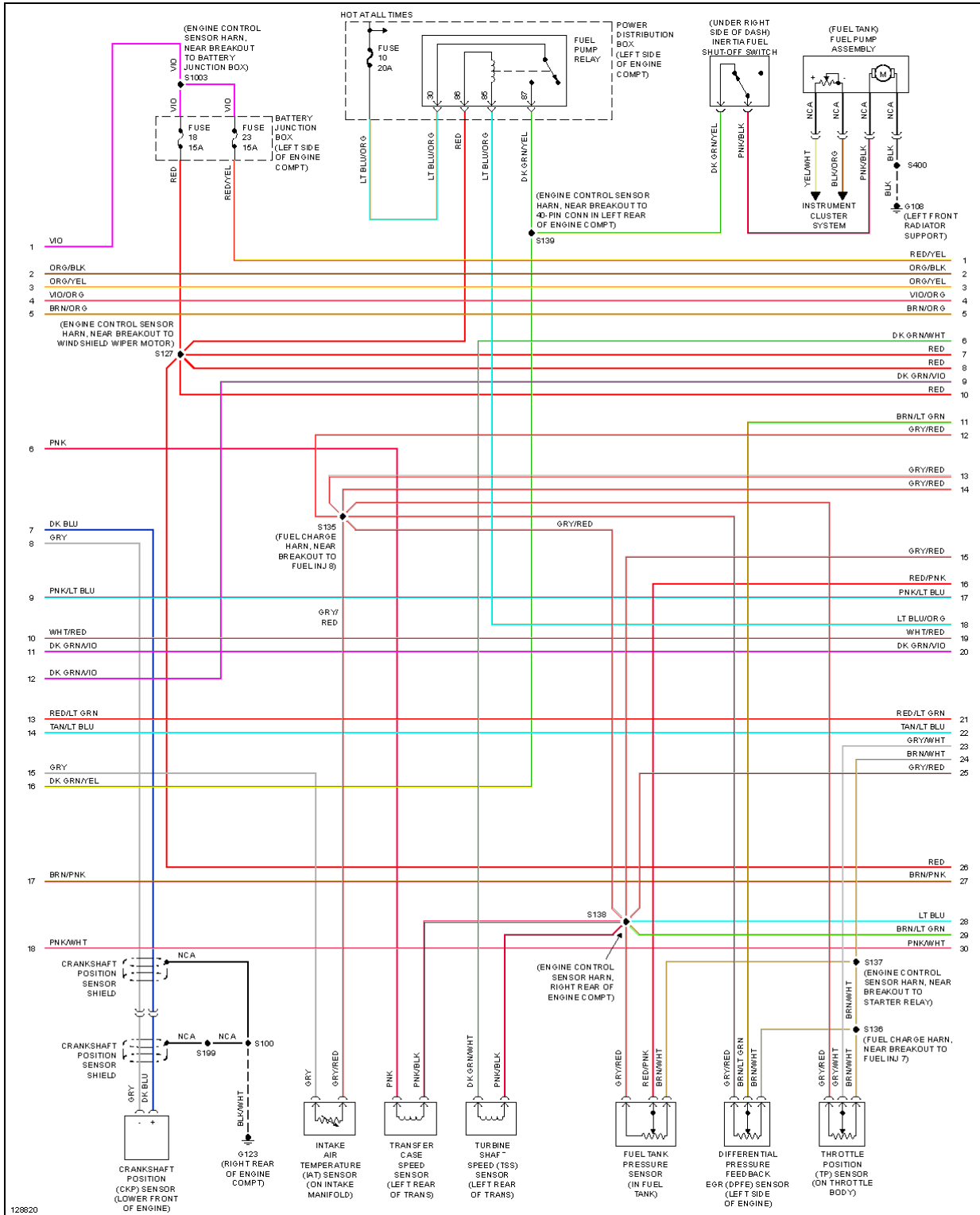
2000 Ford Pickup F150

2000 System Wiring Diagrams Ford - Pickup F150

Fig. 33: 5.4L, Engine Performance Circuits, W/ 4R100 Transmission (1 of 4)

2000 Ford Pickup F150

2000 System Wiring Diagrams Ford - Pickup F150



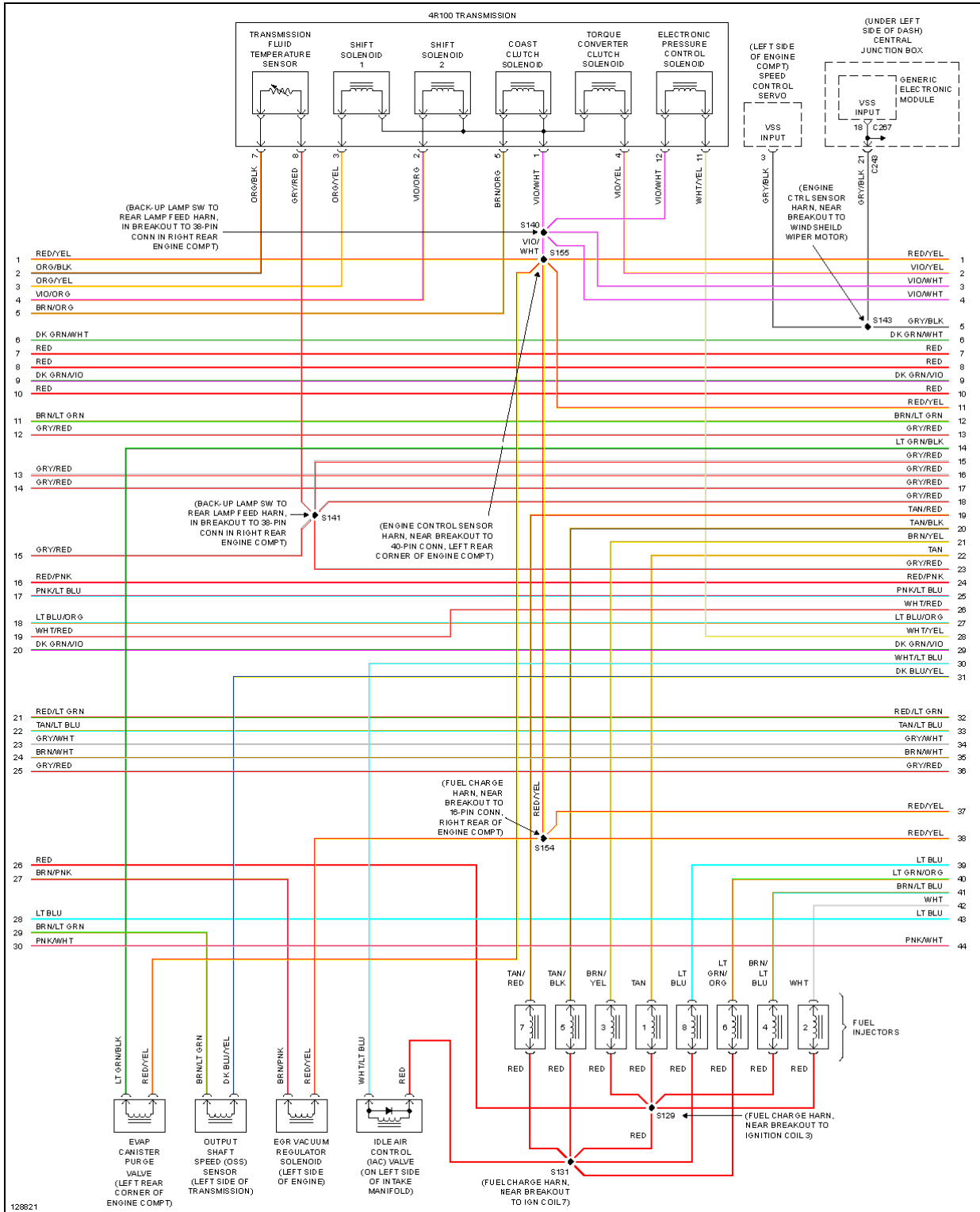
2000 Ford Pickup F150

2000 System Wiring Diagrams Ford - Pickup F150

Fig. 34: 5.4L, Engine Performance Circuits, W/ 4R100 Transmission (2 of 4)

2000 Ford Pickup F150

2000 System Wiring Diagrams Ford - Pickup F150



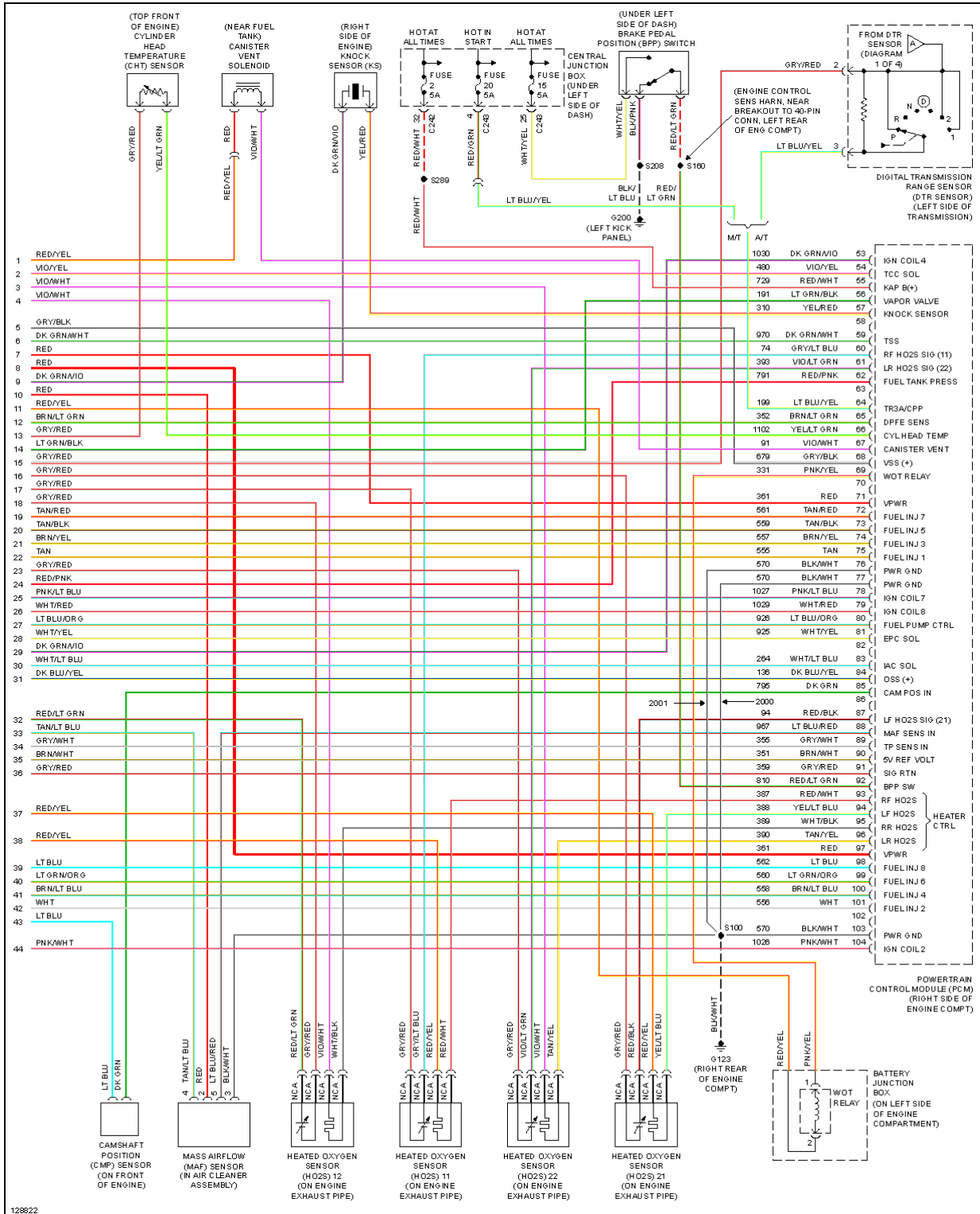
2000 Ford Pickup F150

2000 System Wiring Diagrams Ford - Pickup F150

Fig. 35: 5.4L, Engine Performance Circuits, W/ 4R100 Transmission (3 of 4)

2000 Ford Pickup F150

2000 System Wiring Diagrams Ford - Pickup F150



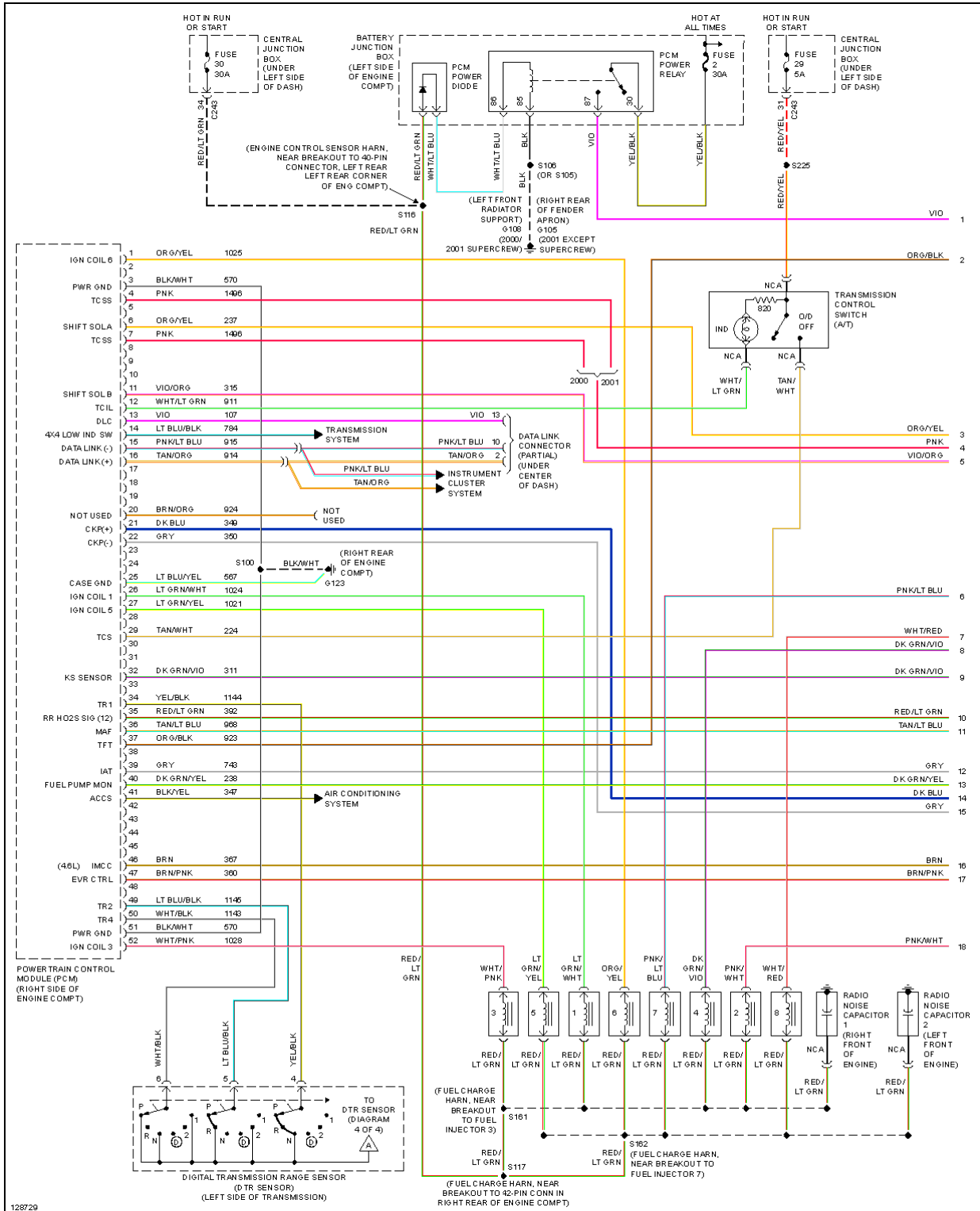
2000 Ford Pickup F150

2000 System Wiring Diagrams Ford - Pickup F150

Fig. 36: 5.4L, Engine Performance Circuits, W/ 4R100 Transmission (4 of 4)

2000 Ford Pickup F150

2000 System Wiring Diagrams Ford - Pickup F150



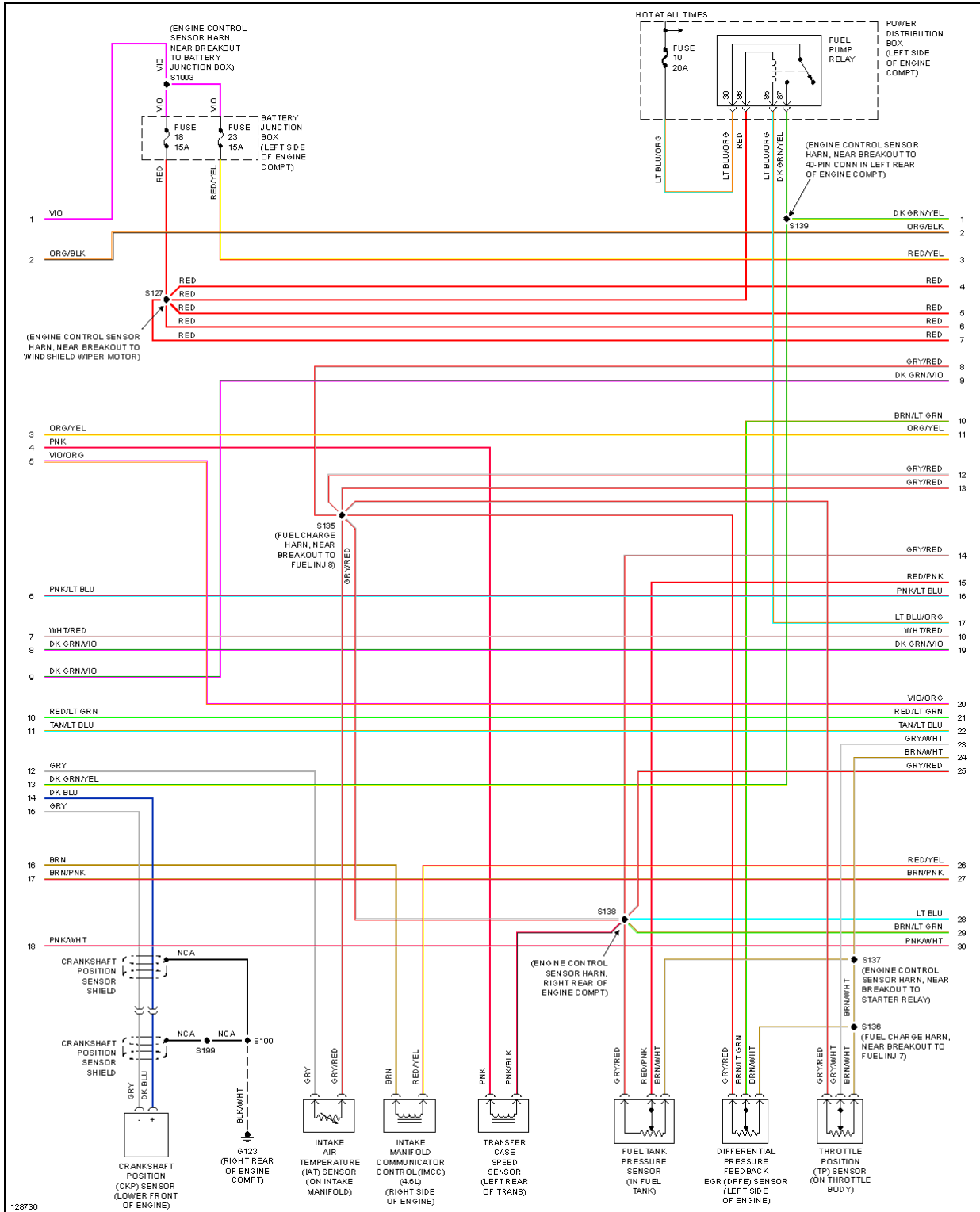
2000 Ford Pickup F150

2000 System Wiring Diagrams Ford - Pickup F150

Fig. 37: 5.4L, Engine Performance Circuits, W/ 4R70W Transmission (1 of 4)

2000 Ford Pickup F150

2000 System Wiring Diagrams Ford - Pickup F150



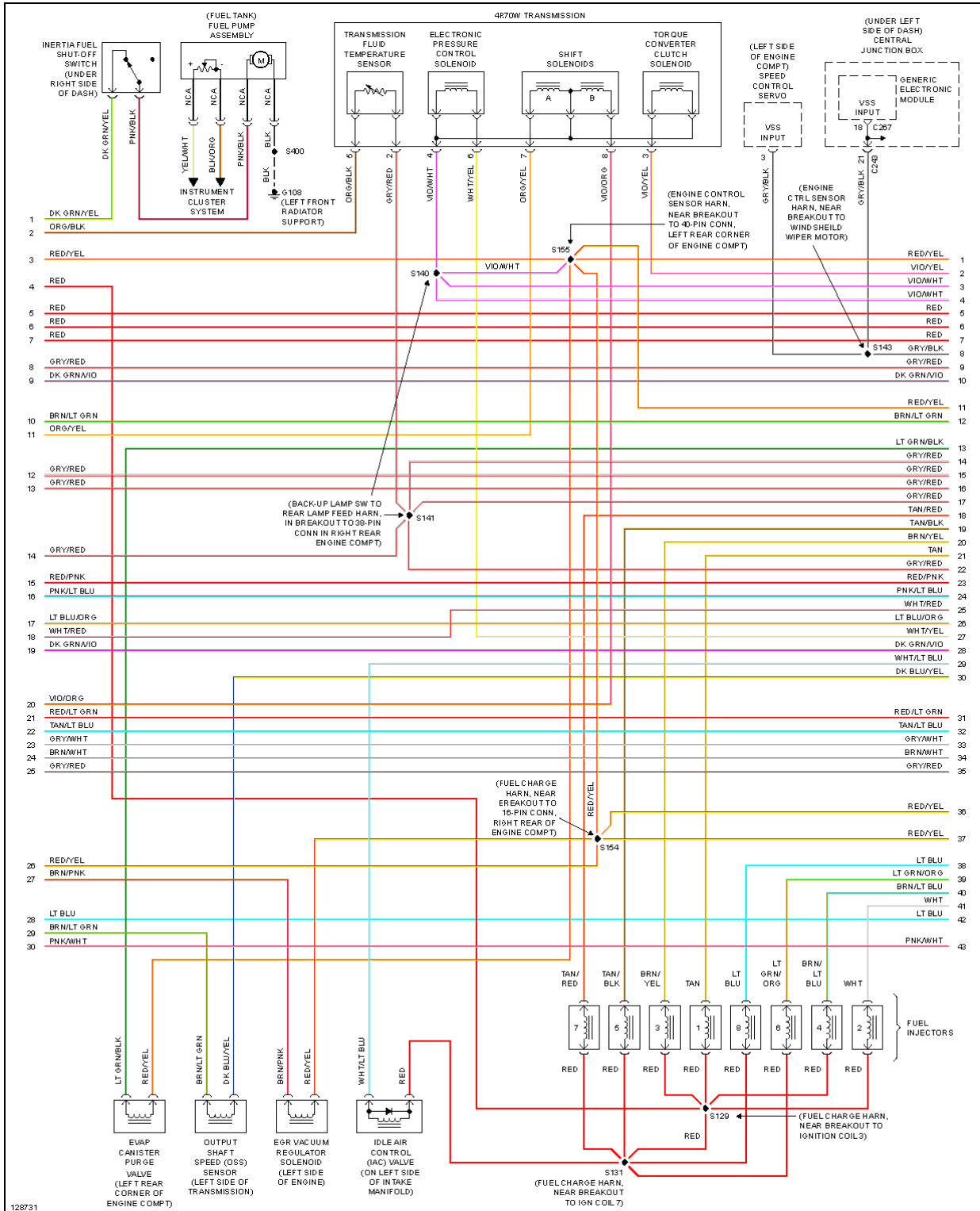
2000 Ford Pickup F150

2000 System Wiring Diagrams Ford - Pickup F150

Fig. 38: 5.4L, Engine Performance Circuits, W/ 4R70W Transmission (2 of 4)

2000 Ford Pickup F150

2000 System Wiring Diagrams Ford - Pickup F150



2000 Ford Pickup F150

2000 System Wiring Diagrams Ford - Pickup F150

Fig. 39: 5.4L, Engine Performance Circuits, W/ 4R70W Transmission (3 of 4)

2000 Ford Pickup F150

2000 System Wiring Diagrams Ford - Pickup F150

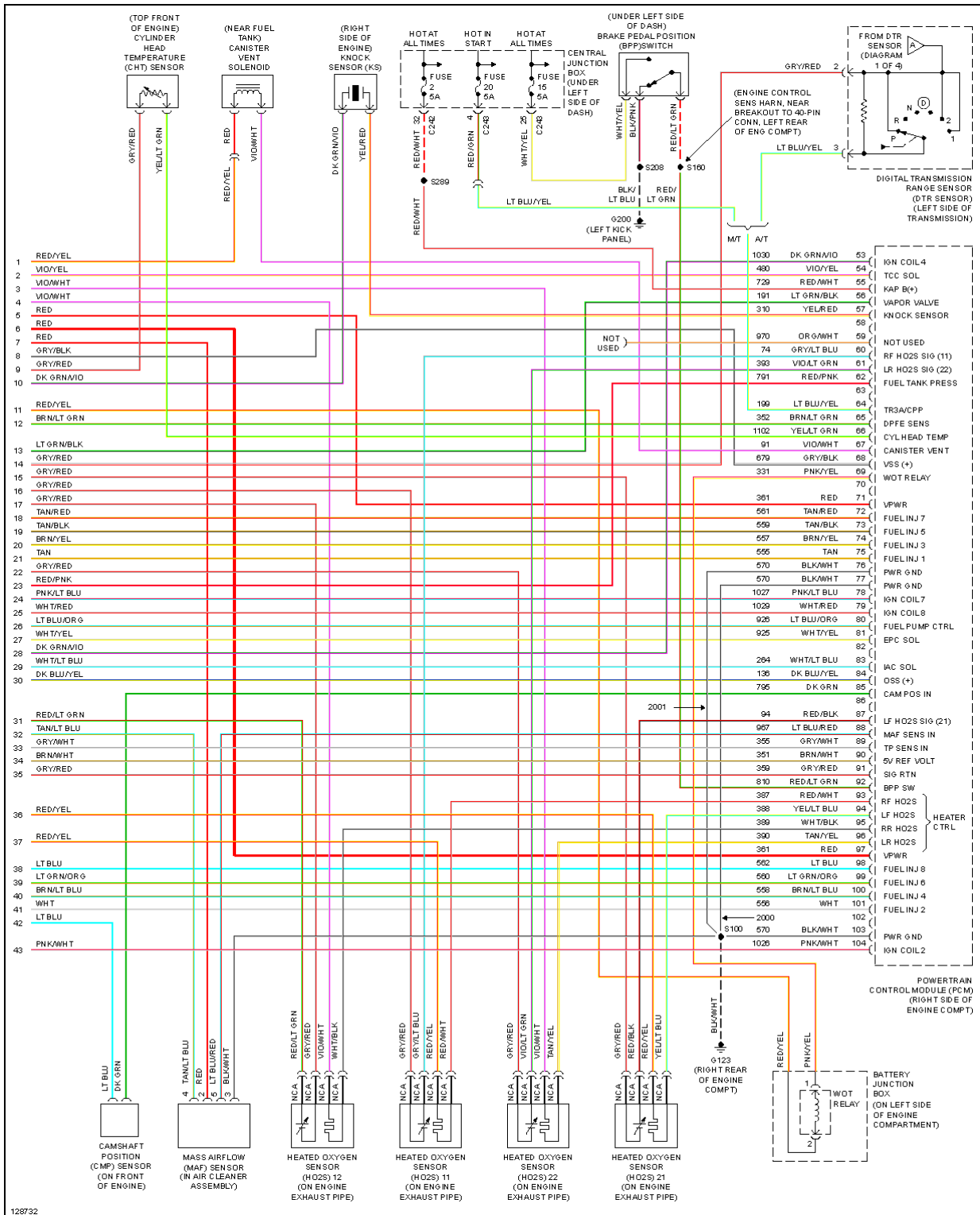
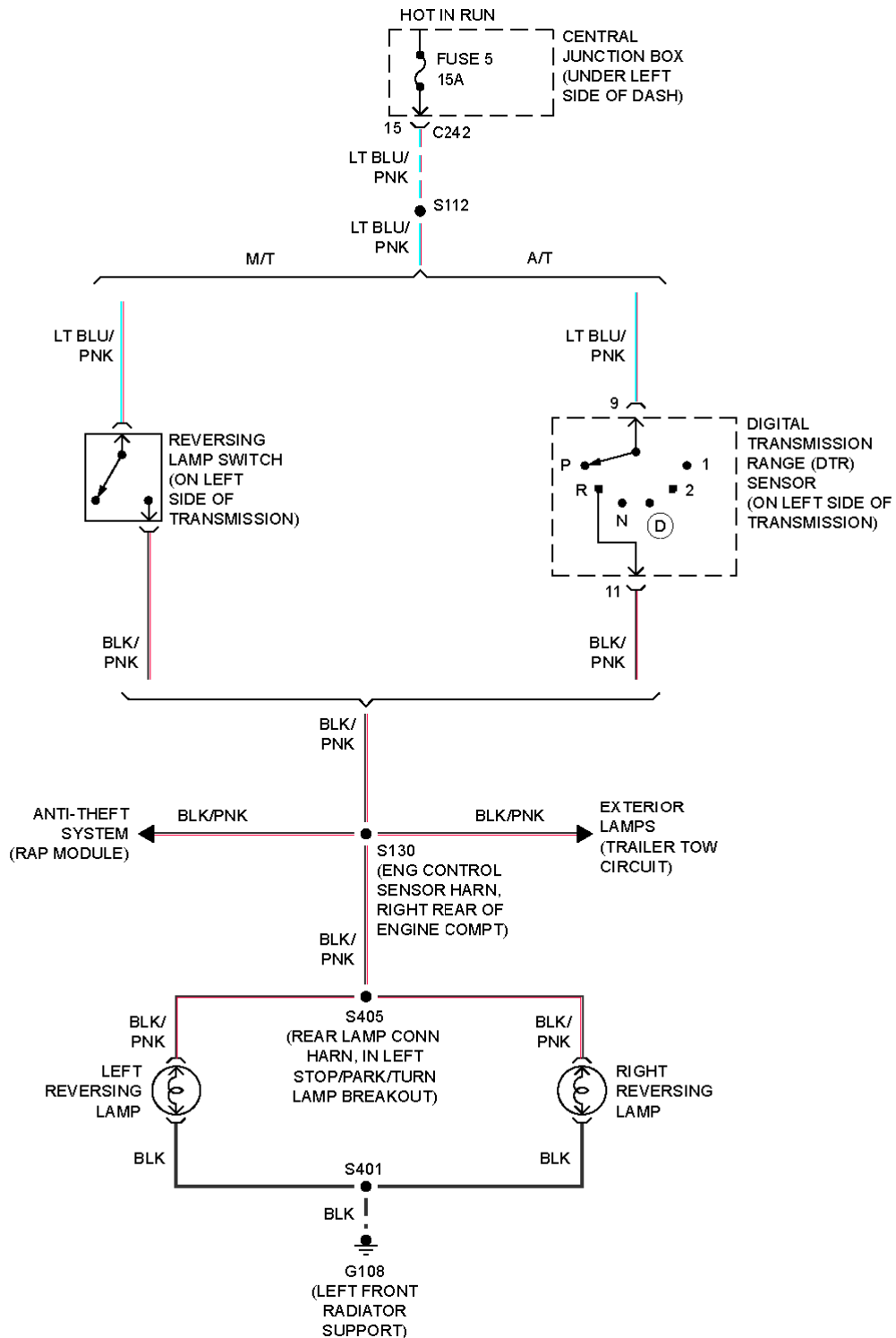


Fig. 40: 5.4L, Engine Performance Circuits, W/ 4R70W Transmission (4 of 4)

EXTERIOR LIGHTS

2000 Ford Pickup F150

2000 System Wiring Diagrams Ford - Pickup F150



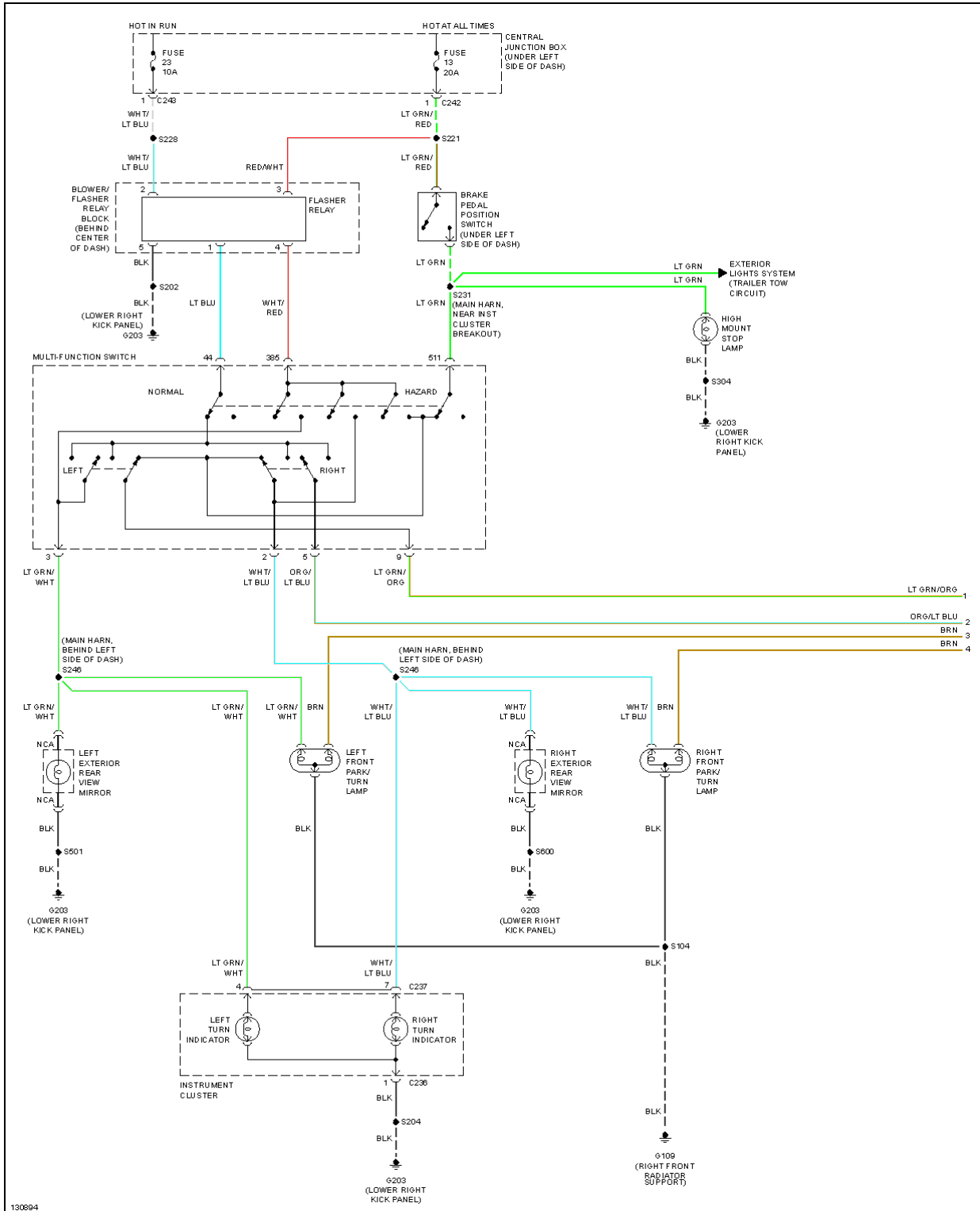
2000 Ford Pickup F150

2000 System Wiring Diagrams Ford - Pickup F150

Fig. 41: Back-up Lamps Circuit

2000 Ford Pickup F150

2000 System Wiring Diagrams Ford - Pickup F150



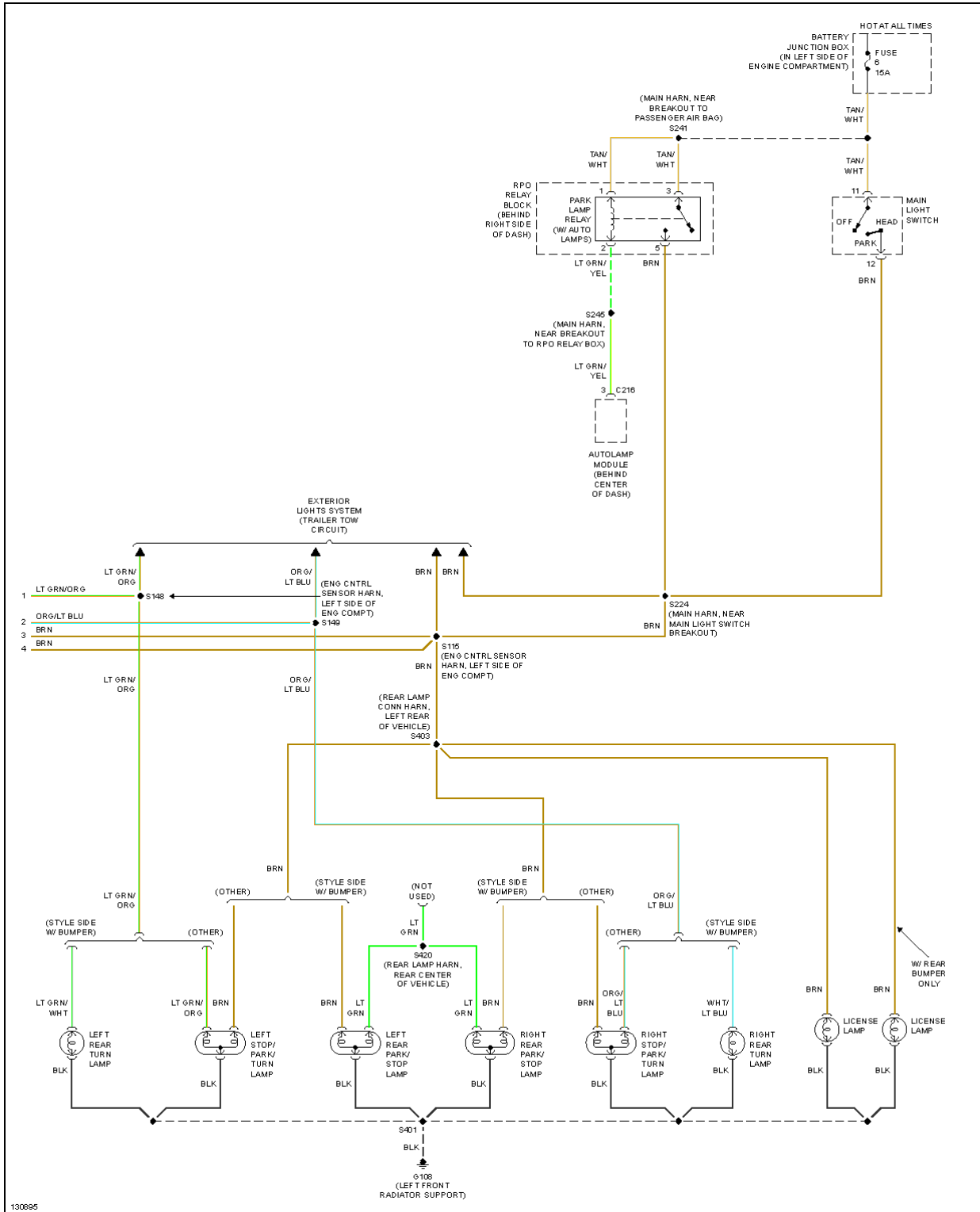
2000 Ford Pickup F150

2000 System Wiring Diagrams Ford - Pickup F150

Fig. 42: Exterior Lamps Circuit (1 of 2)

2000 Ford Pickup F150

2000 System Wiring Diagrams Ford - Pickup F150



2000 Ford Pickup F150

2000 System Wiring Diagrams Ford - Pickup F150

Fig. 43: Exterior Lamps Circuit (2 of 2)

2000 Ford Pickup F150

2000 System Wiring Diagrams Ford - Pickup F150

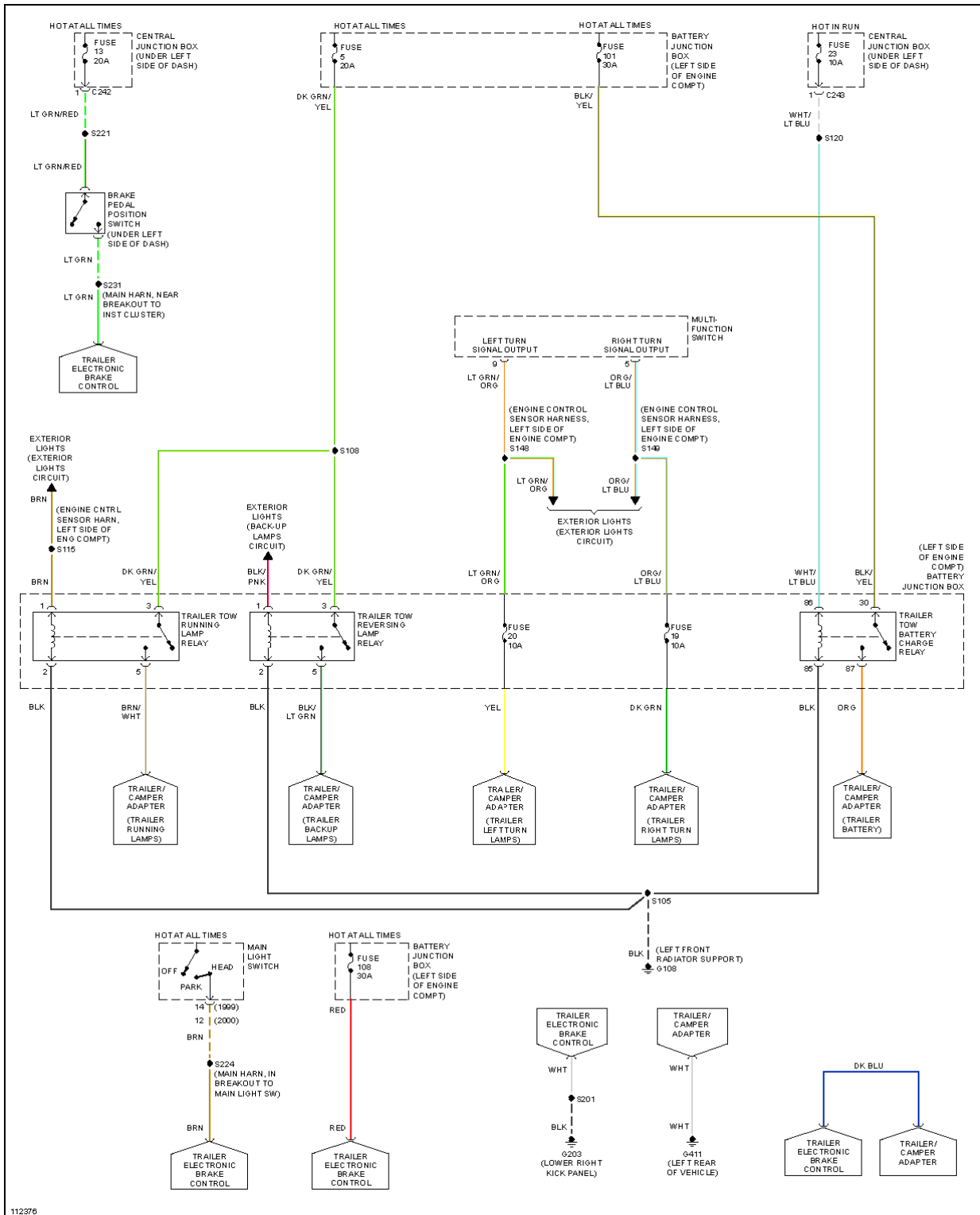
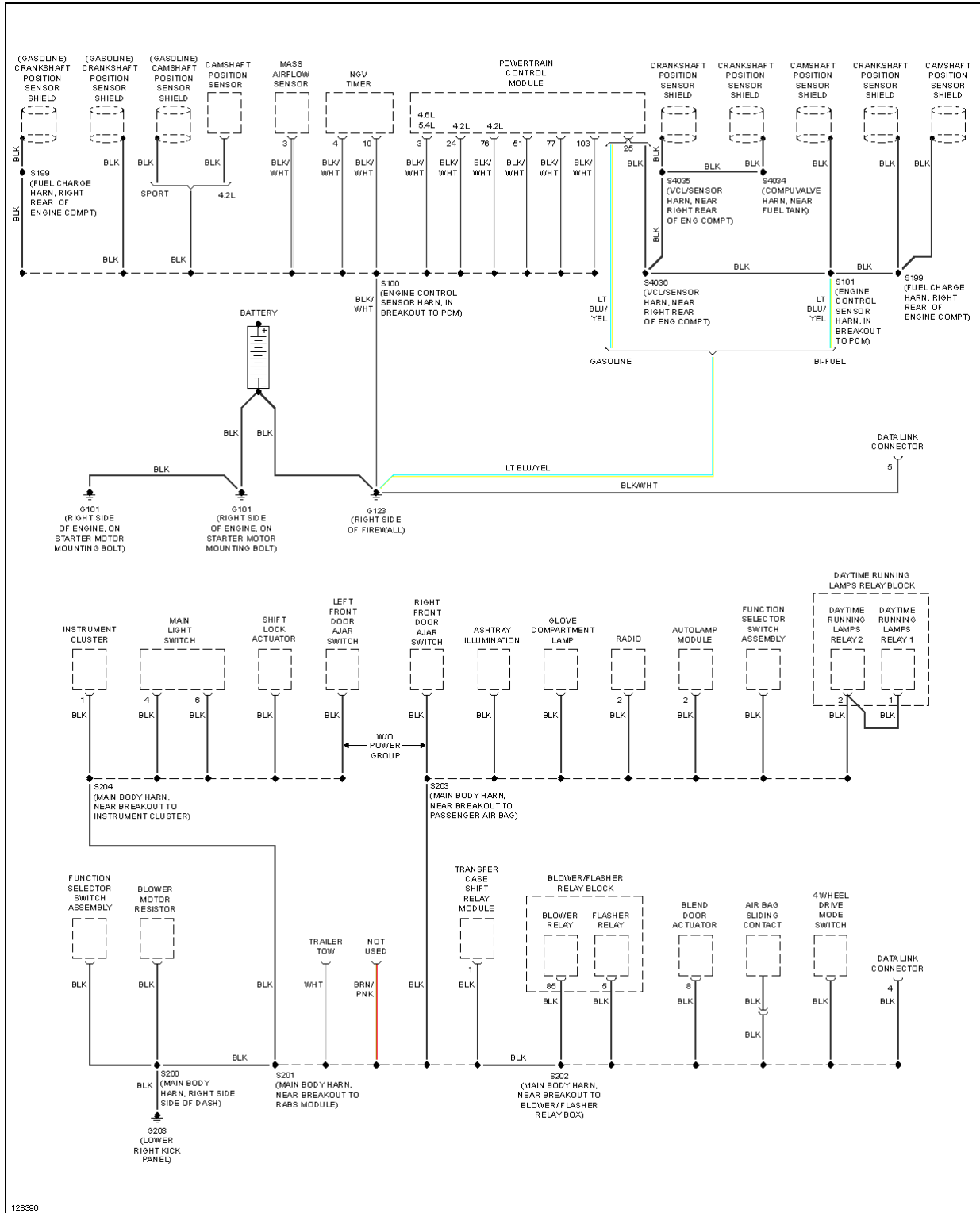


Fig. 44: Trailer/Camper Adapter Circuit

GROUND DISTRIBUTION

2000 Ford Pickup F150

2000 System Wiring Diagrams Ford - Pickup F150



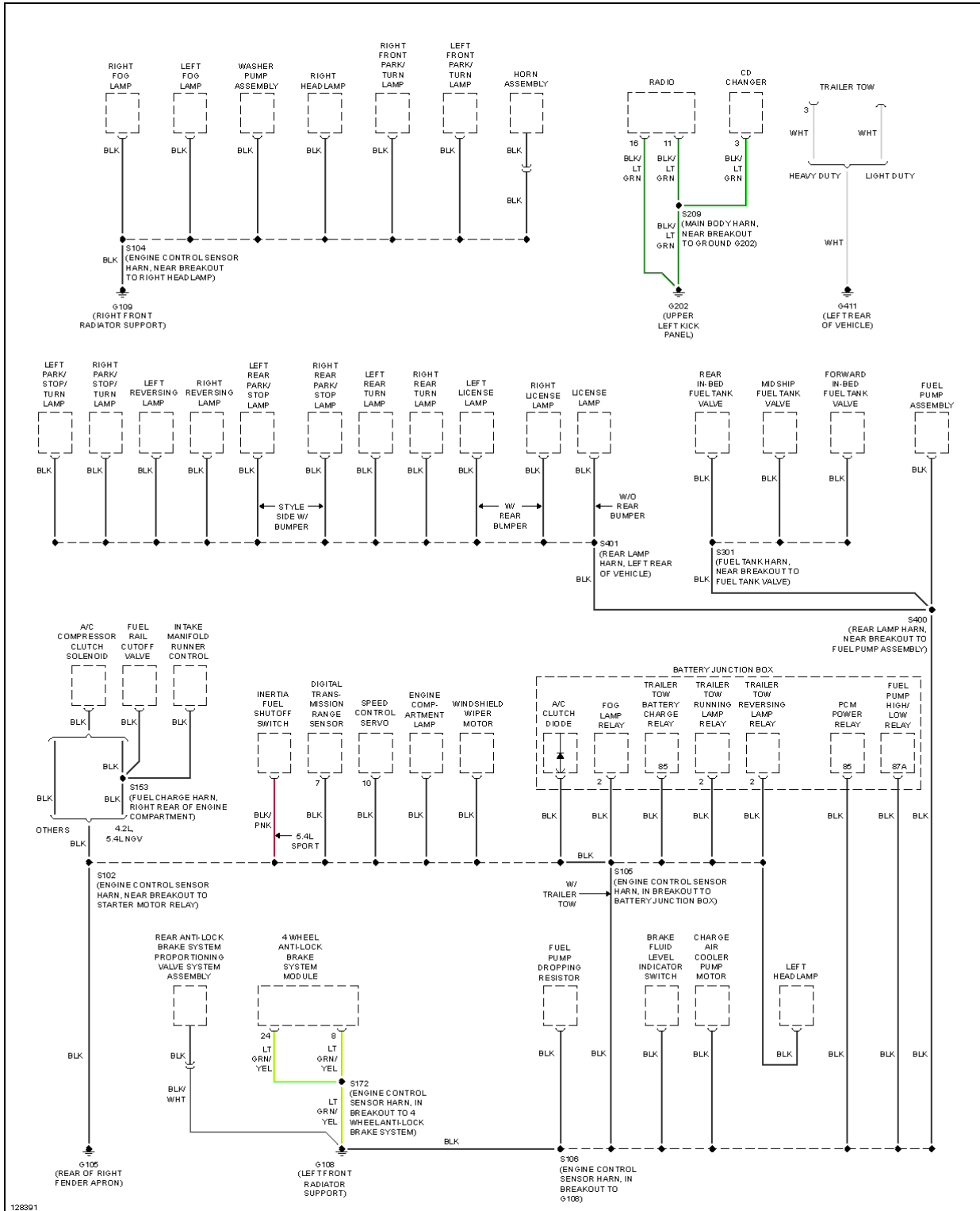
2000 Ford Pickup F150

2000 System Wiring Diagrams Ford - Pickup F150

Fig. 45: Ground Distribution Circuit (1 of 3)

2000 Ford Pickup F150

2000 System Wiring Diagrams Ford - Pickup F150



2000 Ford Pickup F150

2000 System Wiring Diagrams Ford - Pickup F150

Fig. 46: Ground Distribution Circuit (2 of 3)

2000 Ford Pickup F150

2000 System Wiring Diagrams Ford - Pickup F150

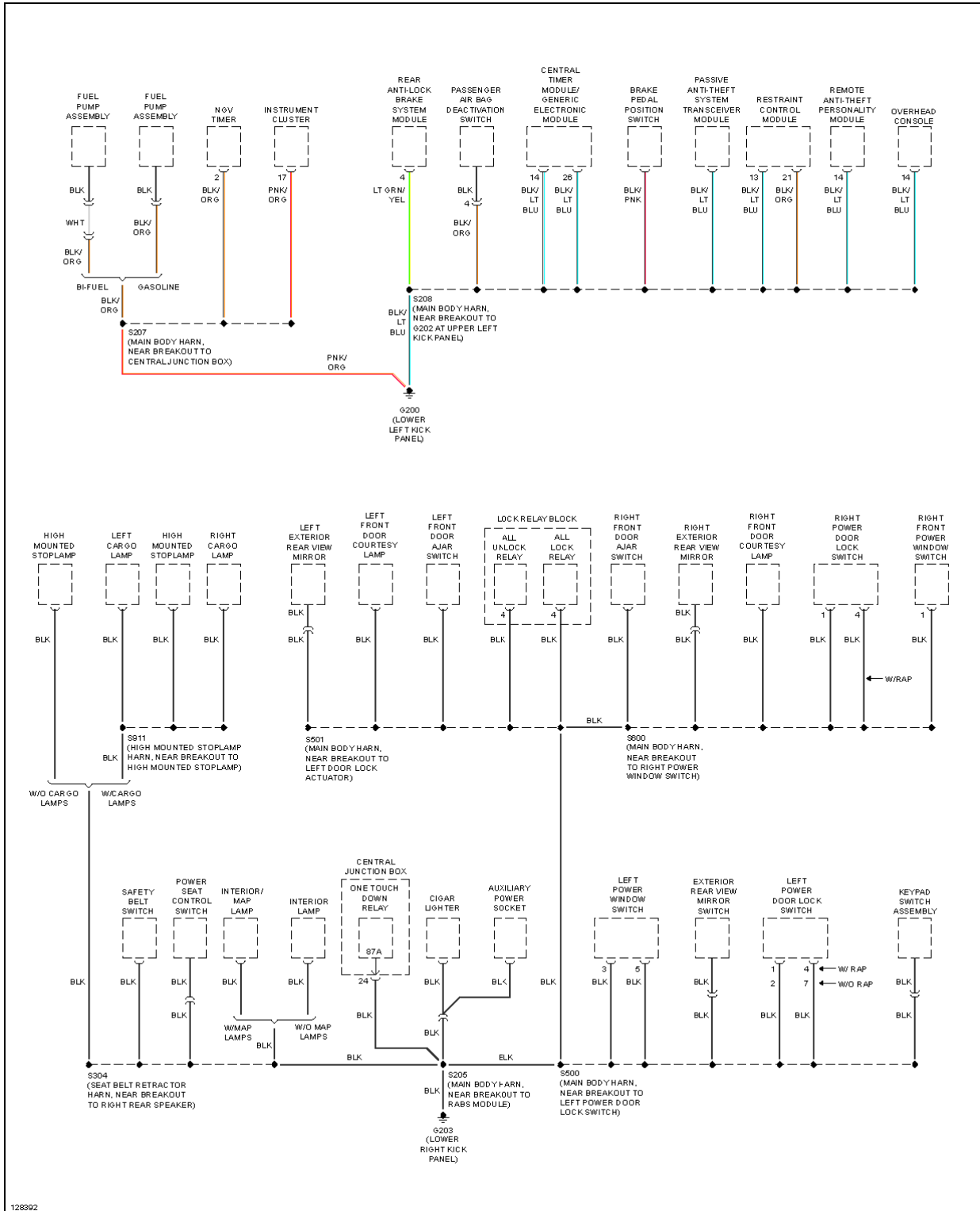
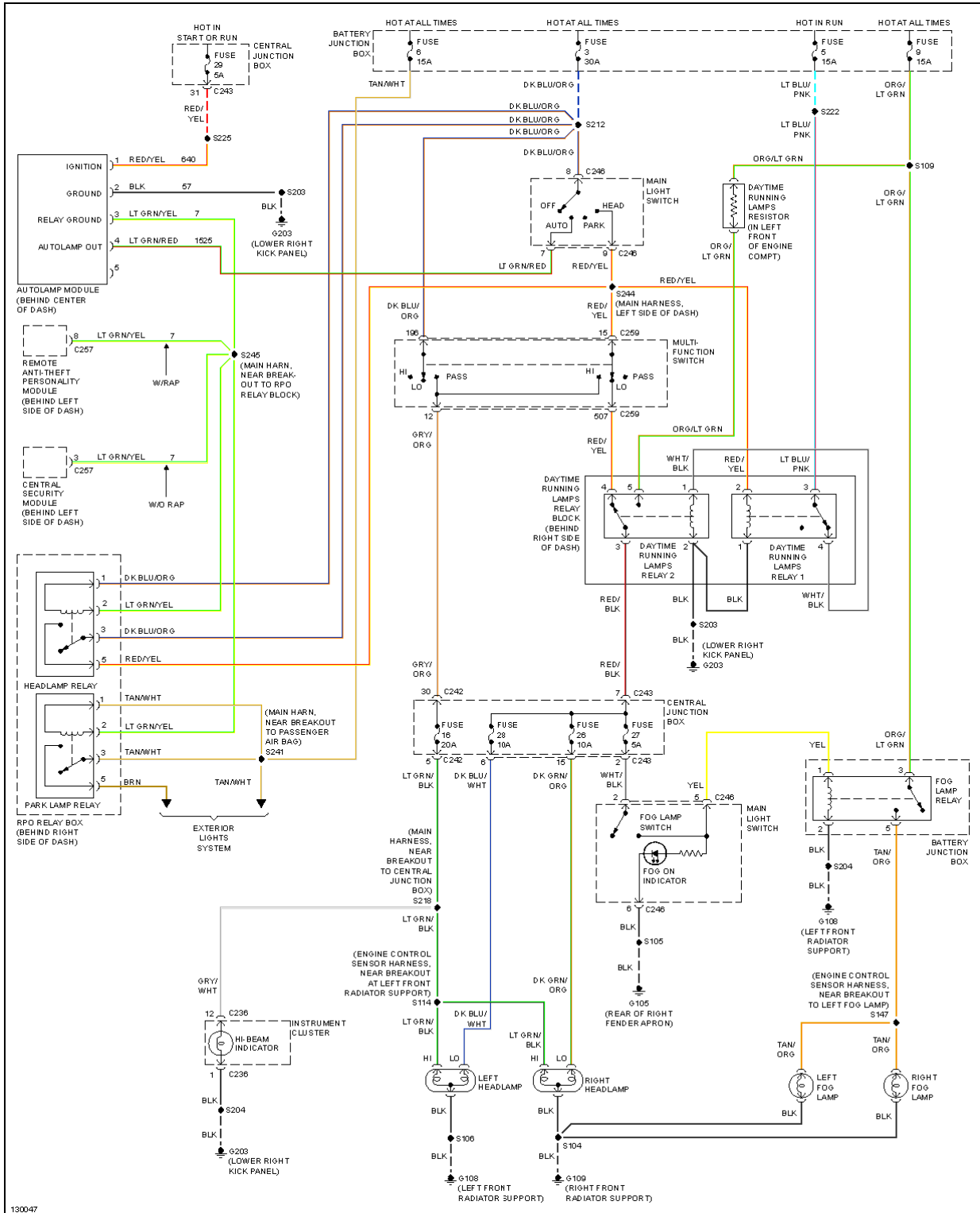


Fig. 47: Ground Distribution Circuit (3 of 3)

HEADLIGHTS

2000 Ford Pickup F150

2000 System Wiring Diagrams Ford - Pickup F150



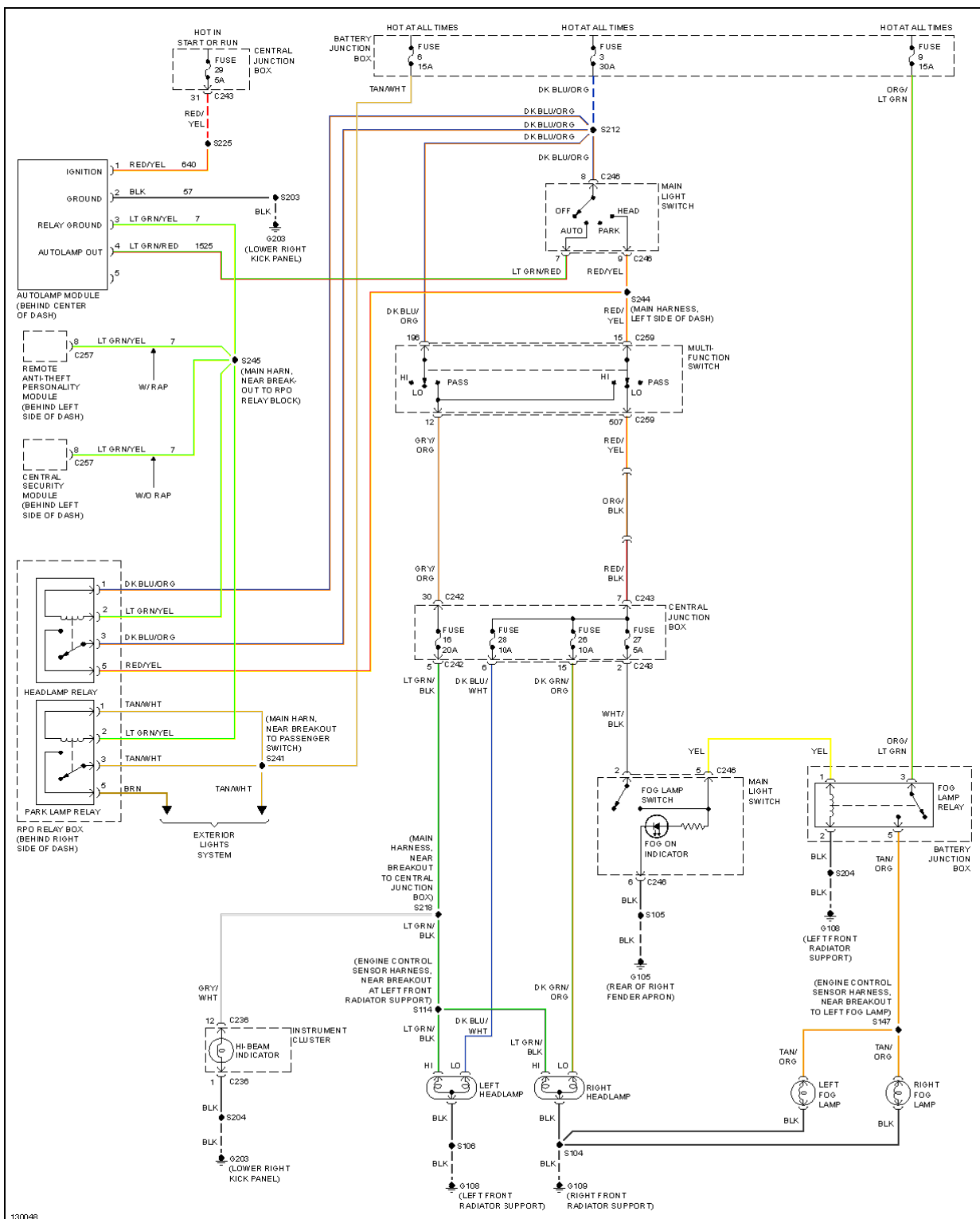
2000 Ford Pickup F150

2000 System Wiring Diagrams Ford - Pickup F150

Fig. 48: Autolamps & Fog Lamps Circuit, W/ DRL

2000 Ford Pickup F150

2000 System Wiring Diagrams Ford - Pickup F150



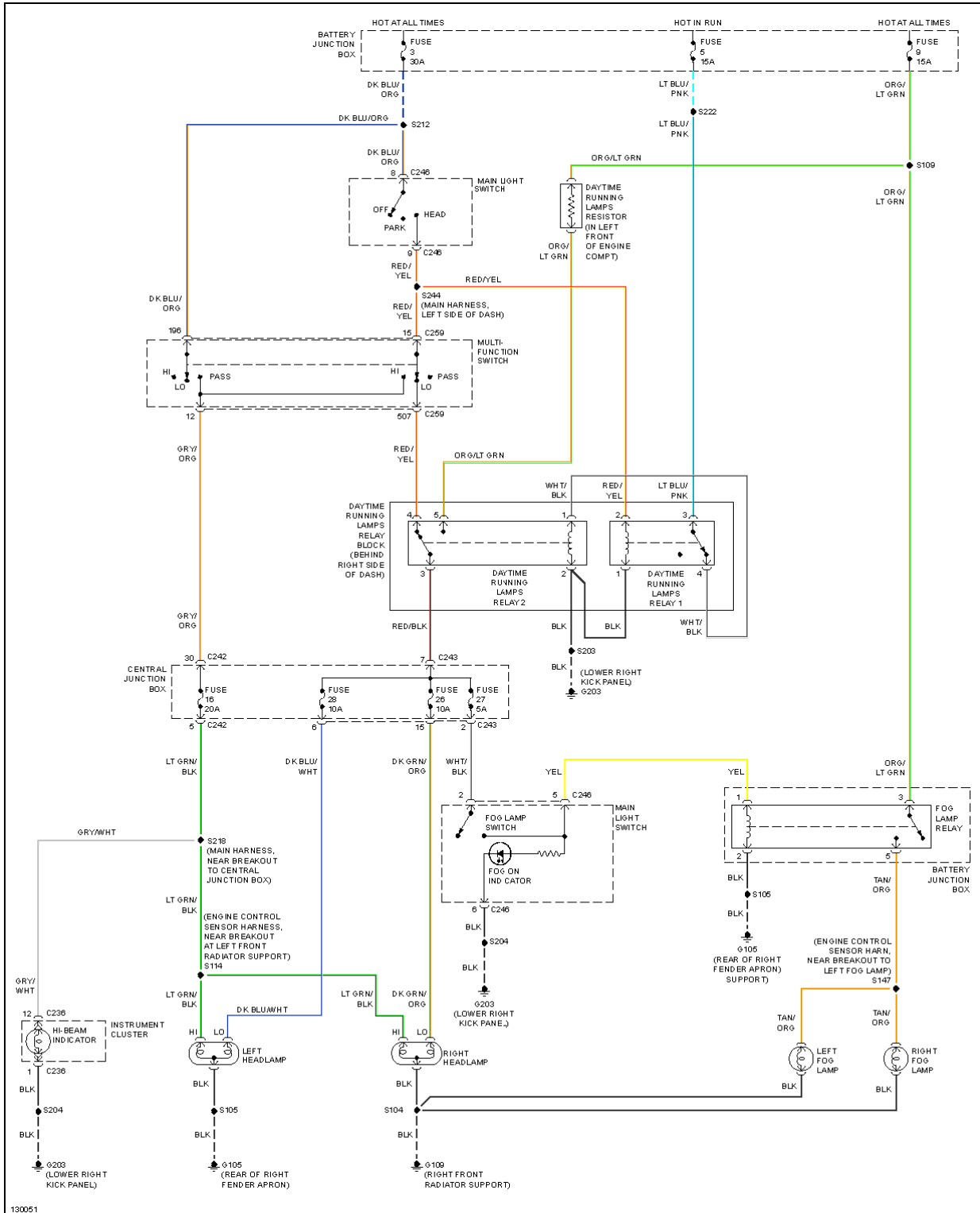
2000 Ford Pickup F150

2000 System Wiring Diagrams Ford - Pickup F150

Fig. 49: Autolamps & Fog Lamps Circuit, W/O DRL

2000 Ford Pickup F150

2000 System Wiring Diagrams Ford - Pickup F150



2000 Ford Pickup F150

2000 System Wiring Diagrams Ford - Pickup F150

Fig. 50: Headlamps & Fog Lamps Circuit, W/ DRL

2000 Ford Pickup F150

2000 System Wiring Diagrams Ford - Pickup F150

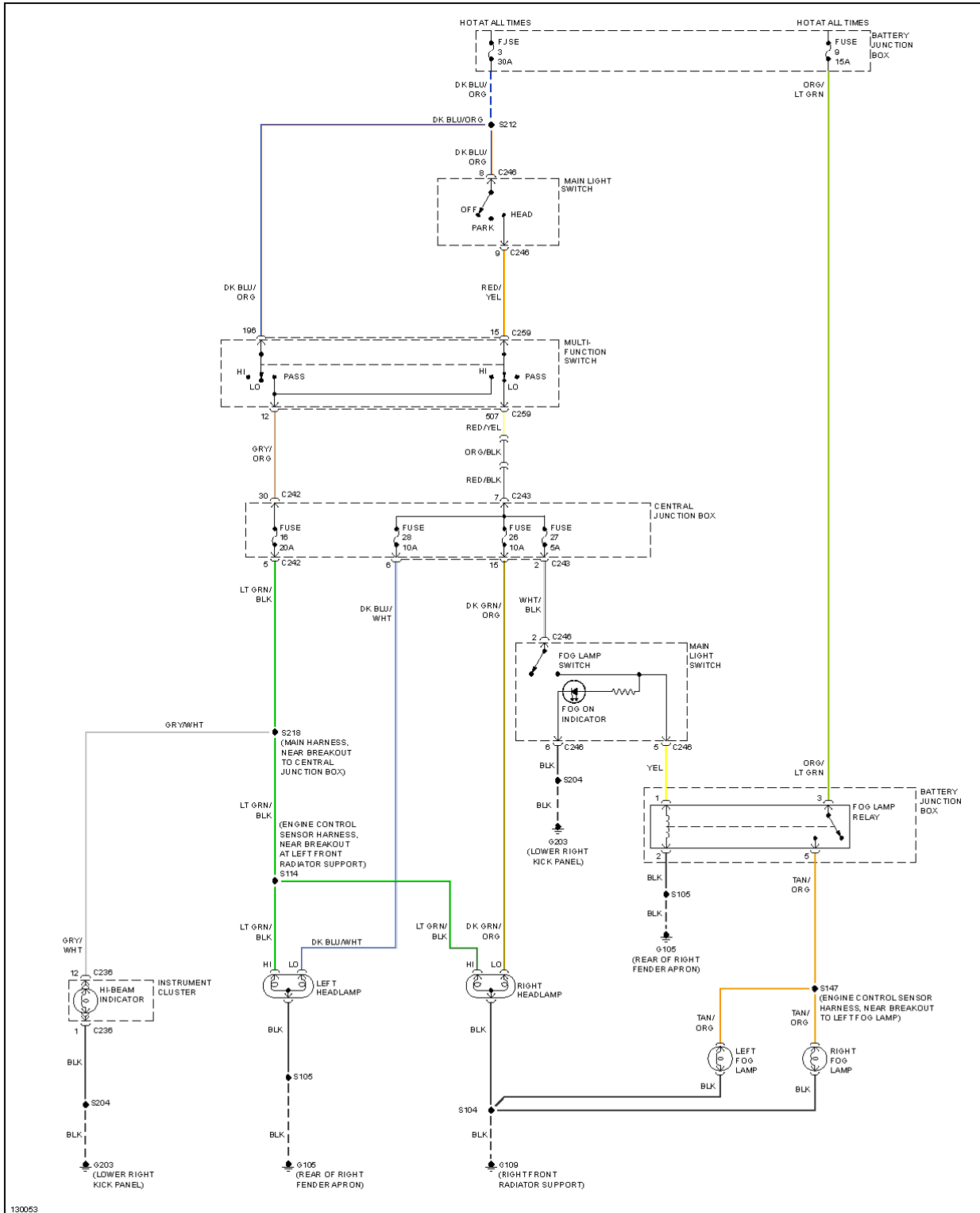


Fig. 51: Headlamps & Fog Lamps Circuit, W/O DRL

HORN

2000 Ford Pickup F150

2000 System Wiring Diagrams Ford - Pickup F150

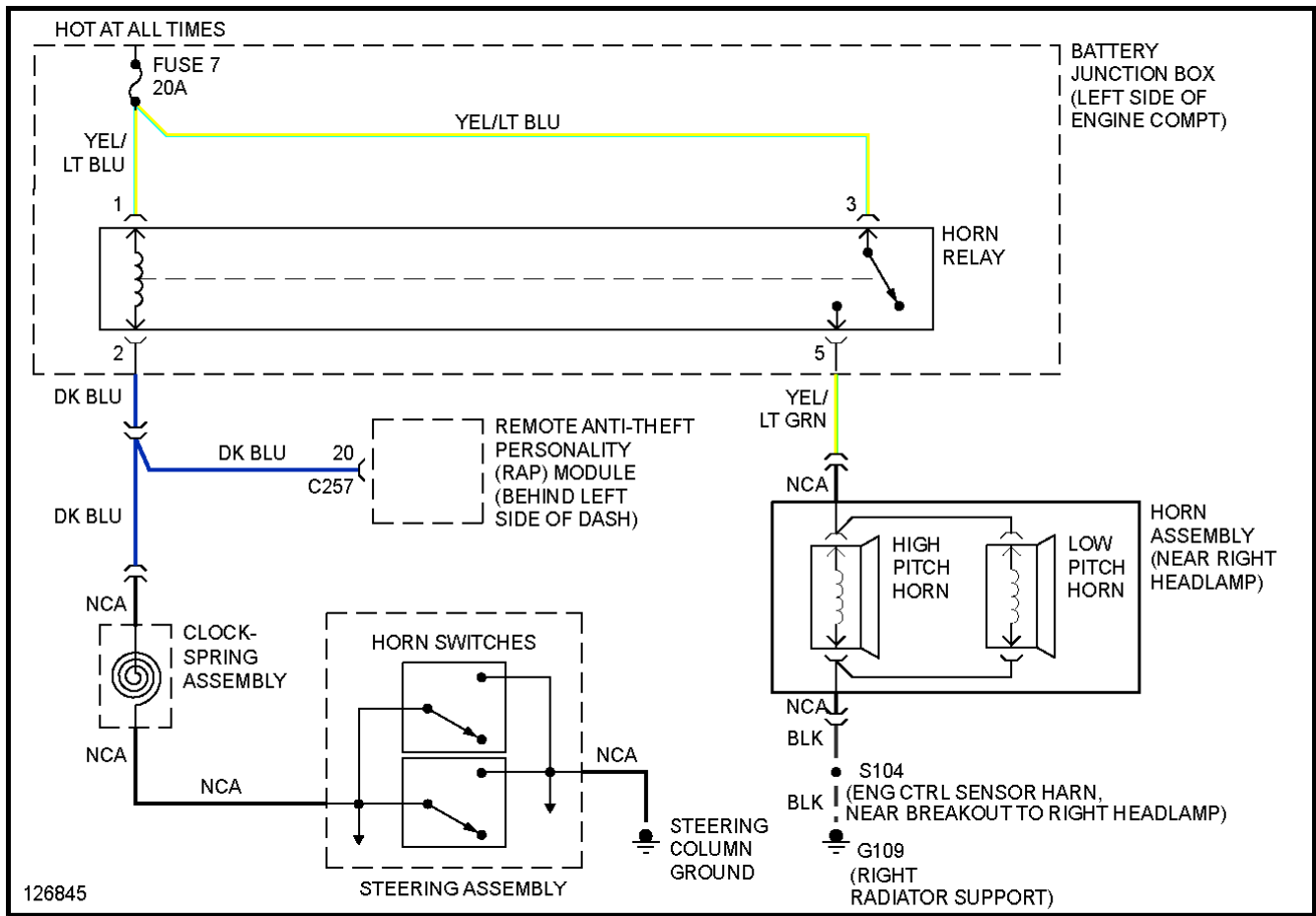


Fig. 52: Horn Circuit

INSTRUMENT CLUSTER

2000 Ford Pickup F150

2000 System Wiring Diagrams Ford - Pickup F150

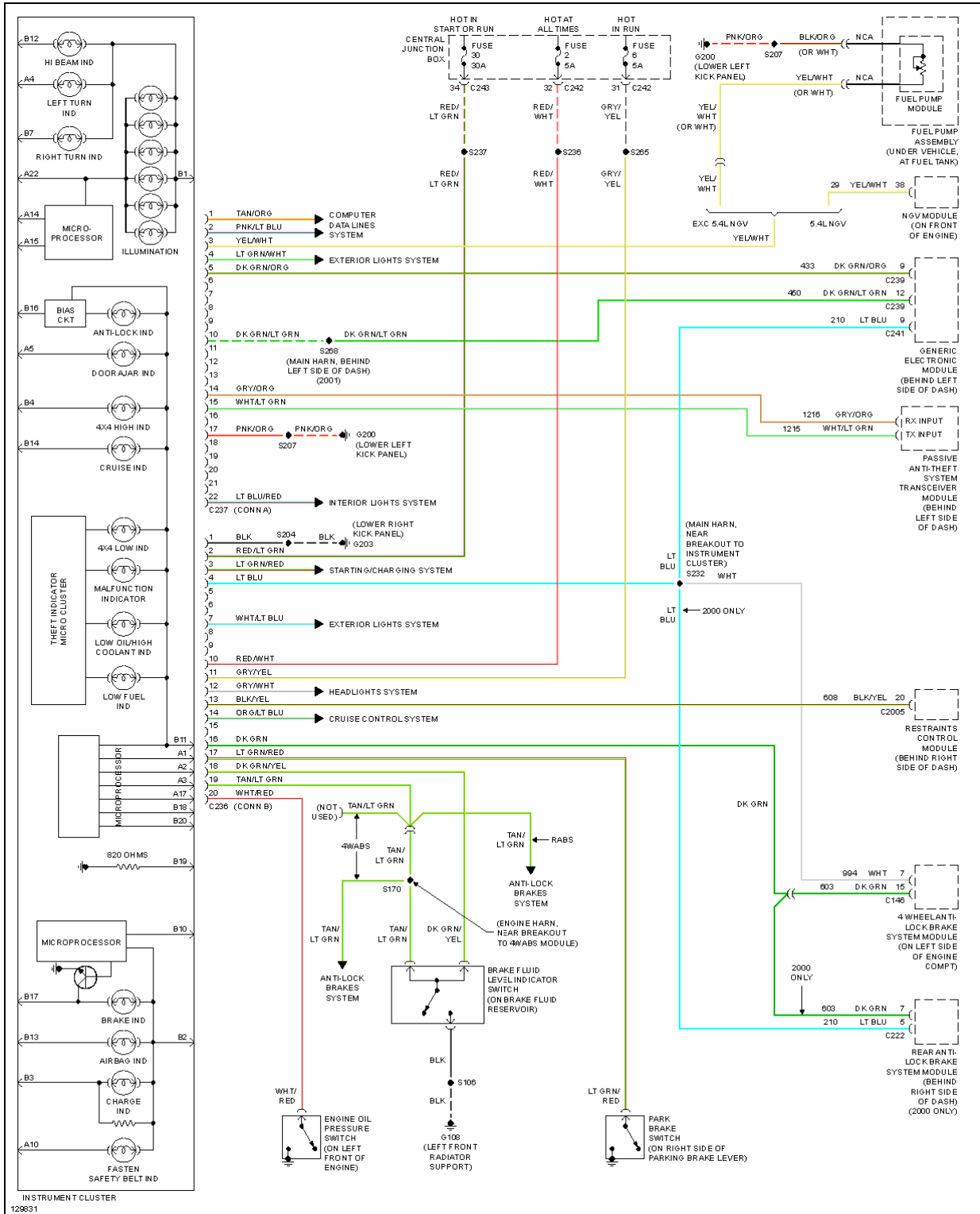
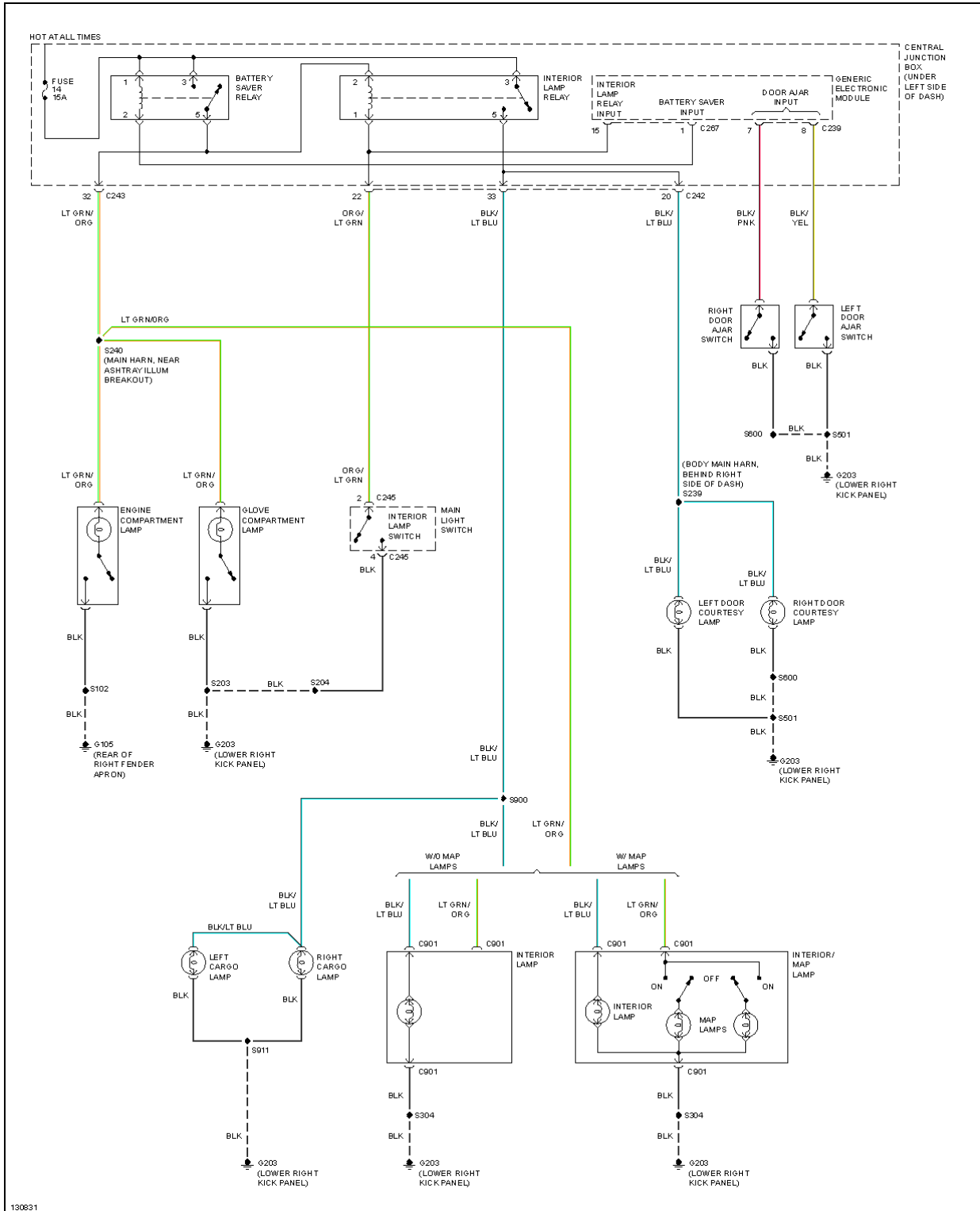


Fig. 53: Instrument Cluster Circuit

INTERIOR LIGHTS

2000 Ford Pickup F150

2000 System Wiring Diagrams Ford - Pickup F150



2000 Ford Pickup F150

2000 System Wiring Diagrams Ford - Pickup F150

Fig. 54: Courtesy Lamps Circuit

2000 Ford Pickup F150

2000 System Wiring Diagrams Ford - Pickup F150

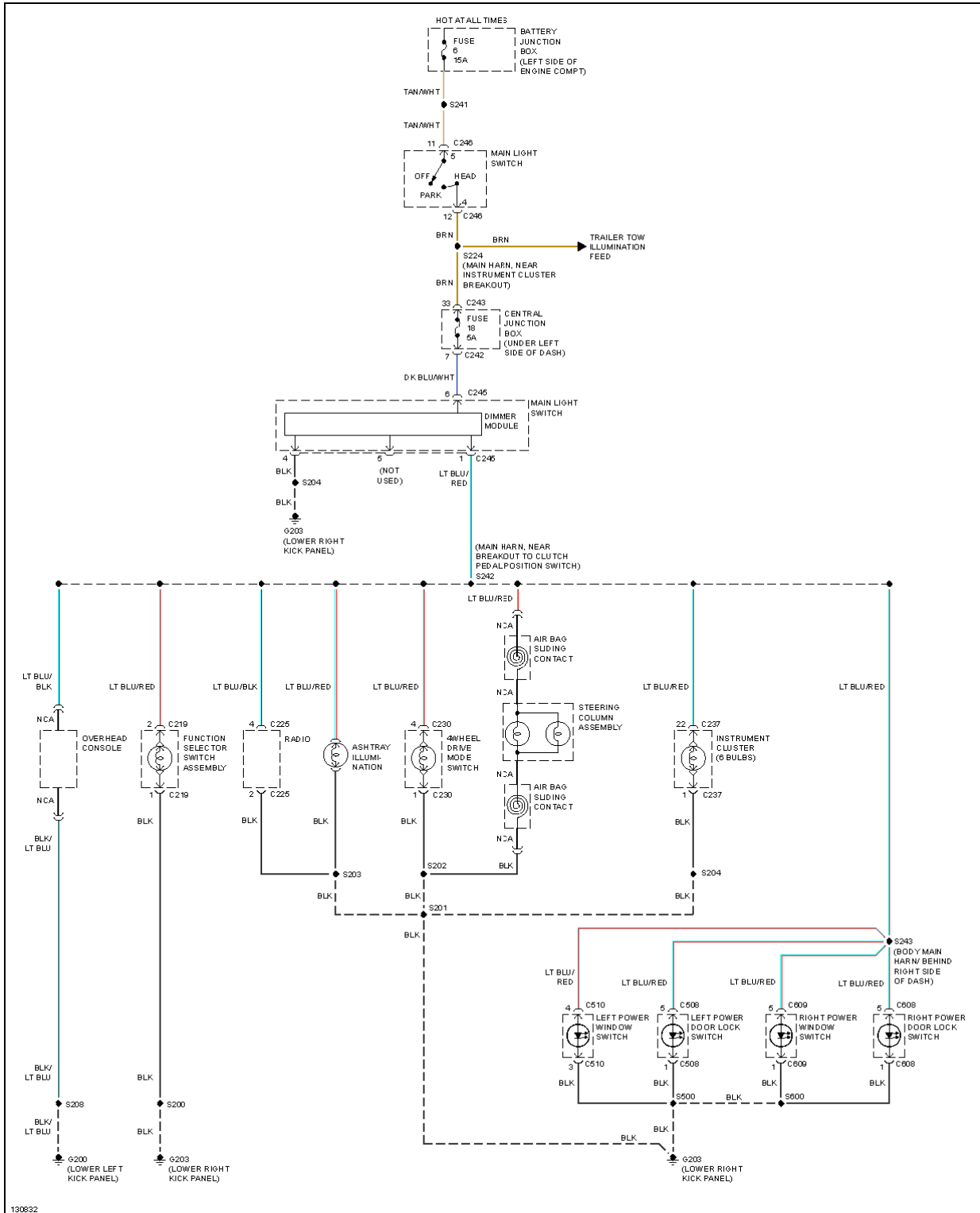
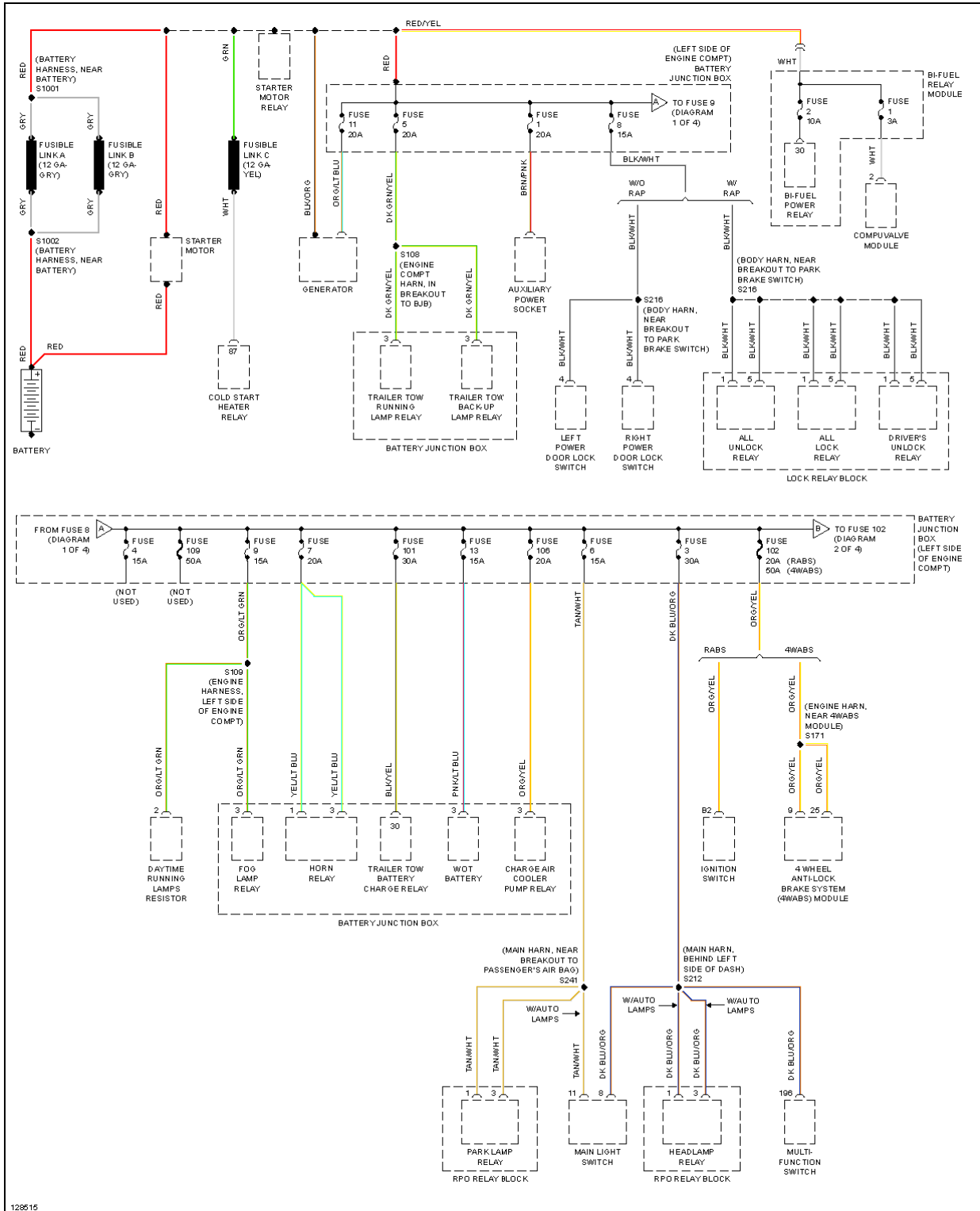


Fig. 55: Instrument Illumination Circuit

POWER DISTRIBUTION

2000 Ford Pickup F150

2000 System Wiring Diagrams Ford - Pickup F150



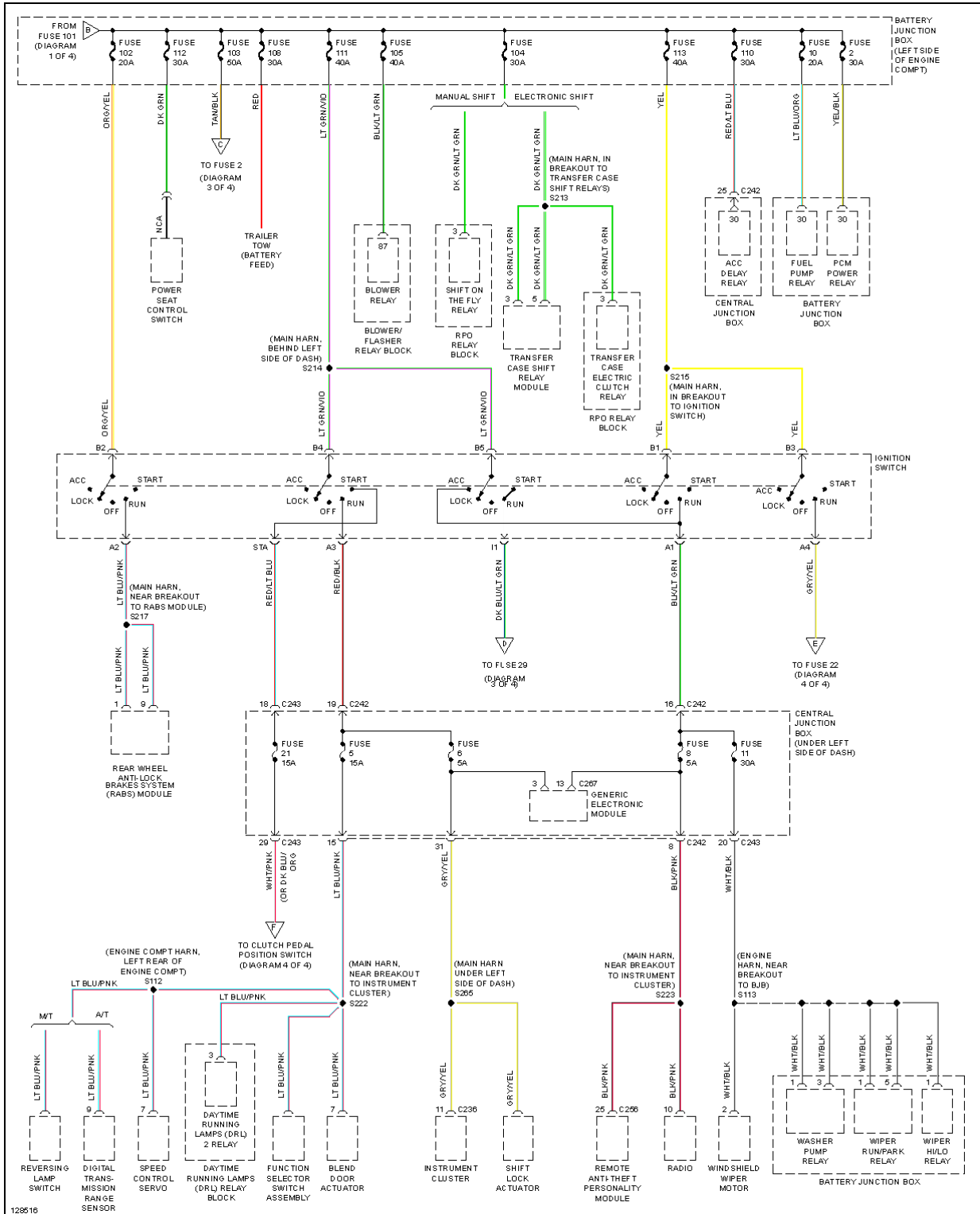
2000 Ford Pickup F150

2000 System Wiring Diagrams Ford - Pickup F150

Fig. 56: Power Distribution Circuit (1 of 4)

2000 Ford Pickup F150

2000 System Wiring Diagrams Ford - Pickup F150



2000 Ford Pickup F150

2000 System Wiring Diagrams Ford - Pickup F150

Fig. 57: Power Distribution Circuit (2 of 4)

2000 Ford Pickup F150

2000 System Wiring Diagrams Ford - Pickup F150

Fig. 58: Power Distribution Circuit (3 of 4)

2000 Ford Pickup F150

2000 System Wiring Diagrams Ford - Pickup F150

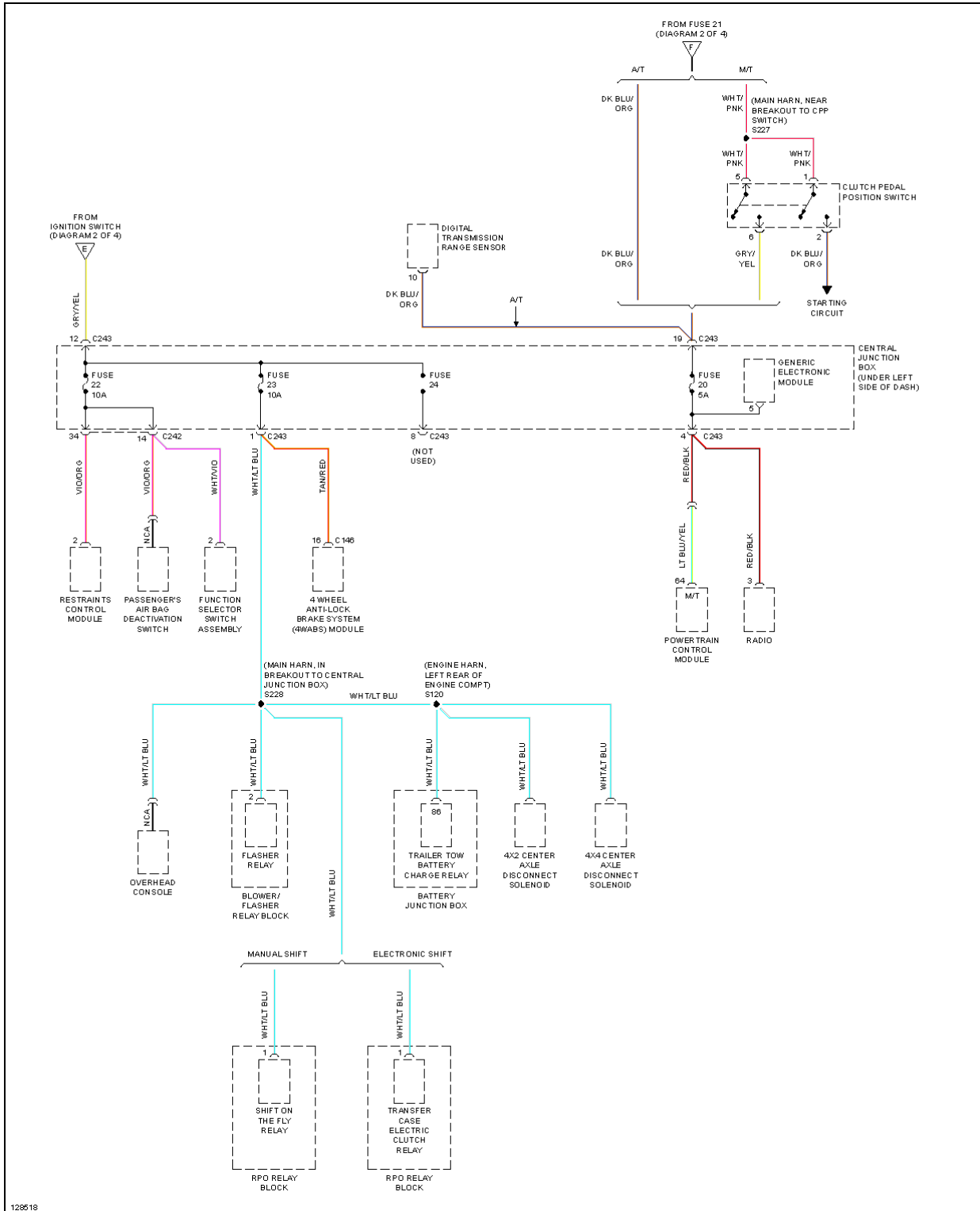
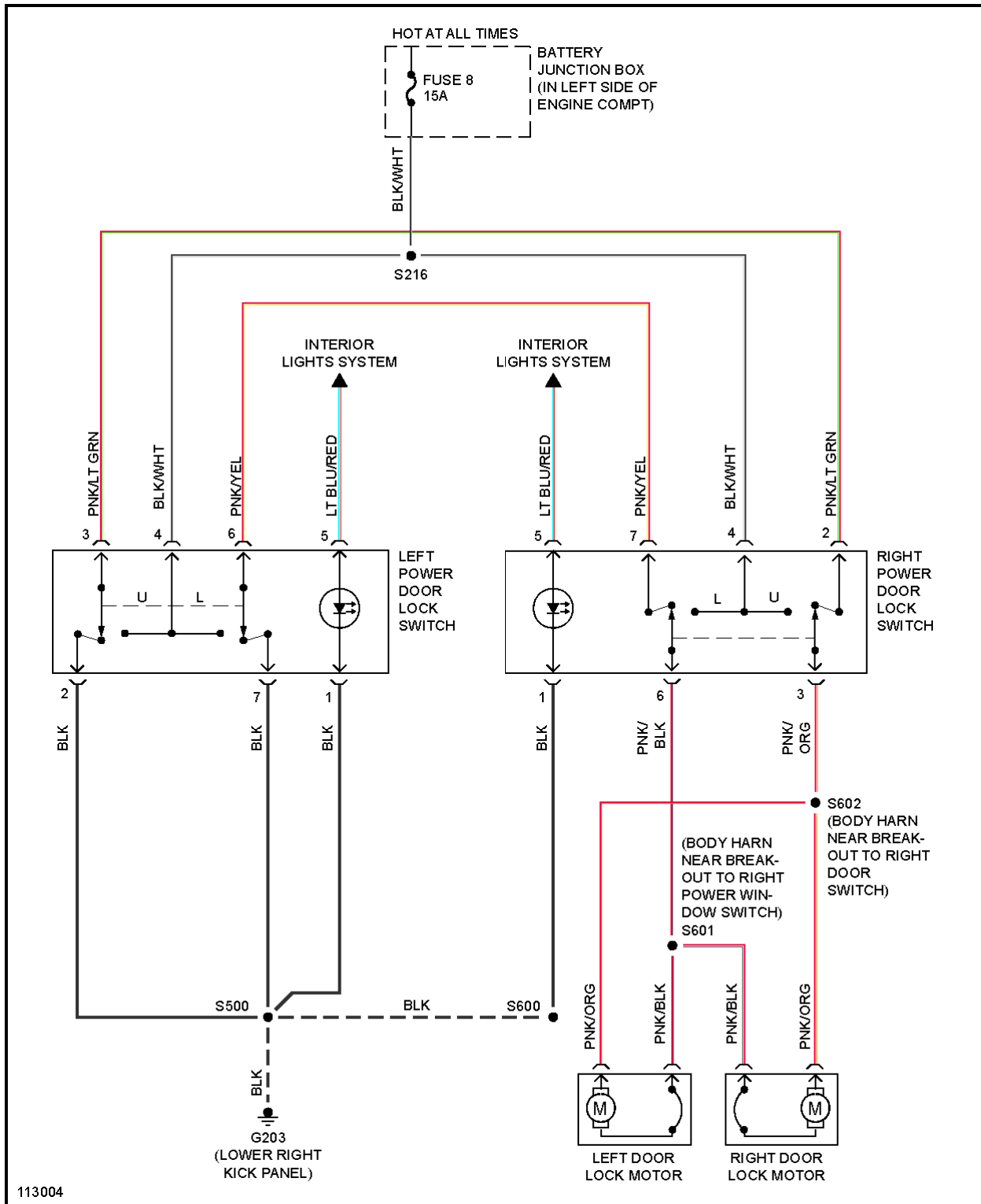


Fig. 59: Power Distribution Circuit (4 of 4)

POWER DOOR LOCKS

2000 Ford Pickup F150

2000 System Wiring Diagrams Ford - Pickup F150



2000 Ford Pickup F150

2000 System Wiring Diagrams Ford - Pickup F150

Fig. 60: Door Lock Circuit

2000 Ford Pickup F150

2000 System Wiring Diagrams Ford - Pickup F150

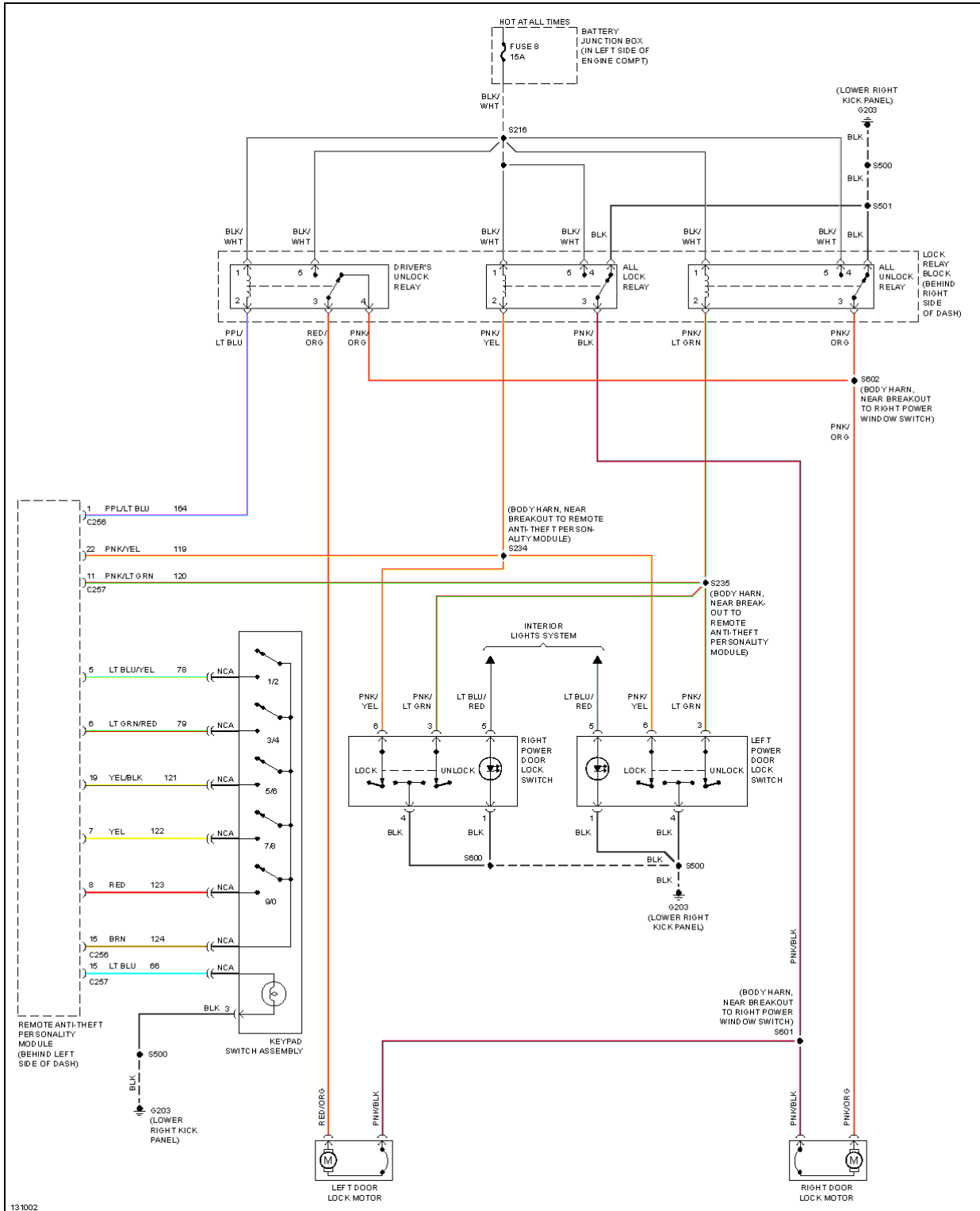


Fig. 61: Keyless Entry Circuit

POWER MIRRORS

2000 Ford Pickup F150

2000 System Wiring Diagrams Ford - Pickup F150

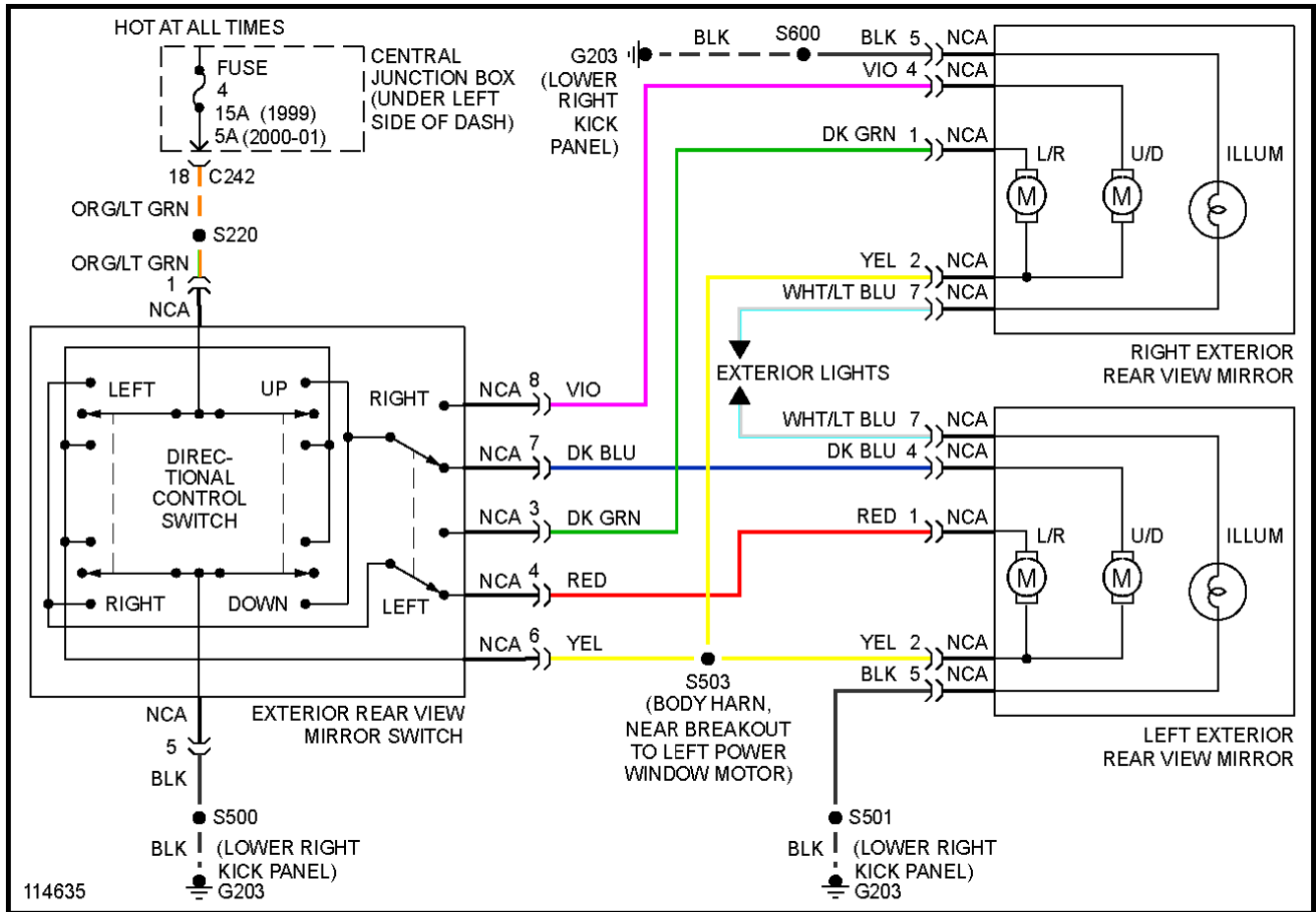


Fig. 62: Power Mirror Circuit

POWER SEATS

2000 Ford Pickup F150

2000 System Wiring Diagrams Ford - Pickup F150

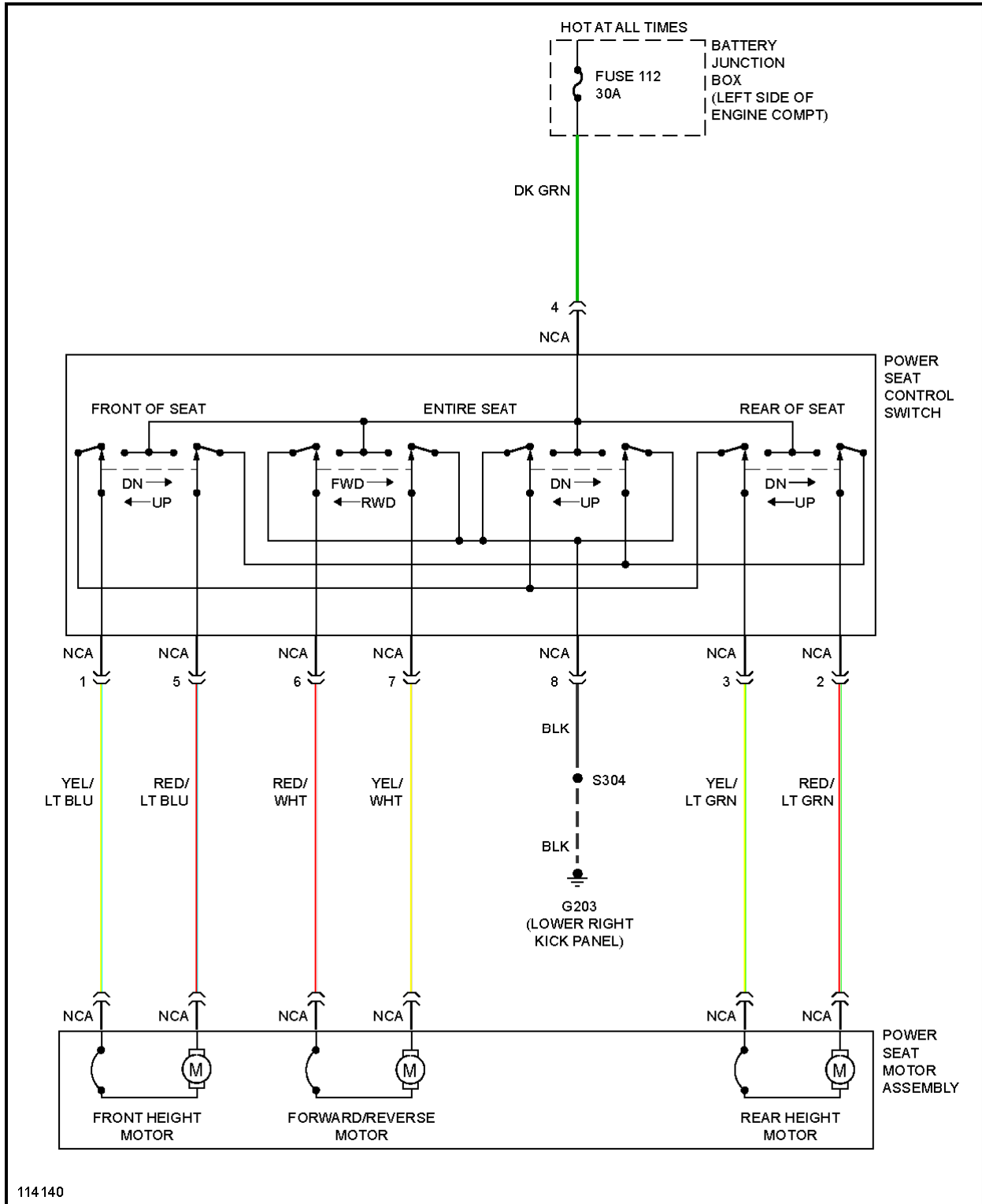


Fig. 63: Power Seat Circuits

POWER WINDOWS

2000 Ford Pickup F150

2000 System Wiring Diagrams Ford - Pickup F150

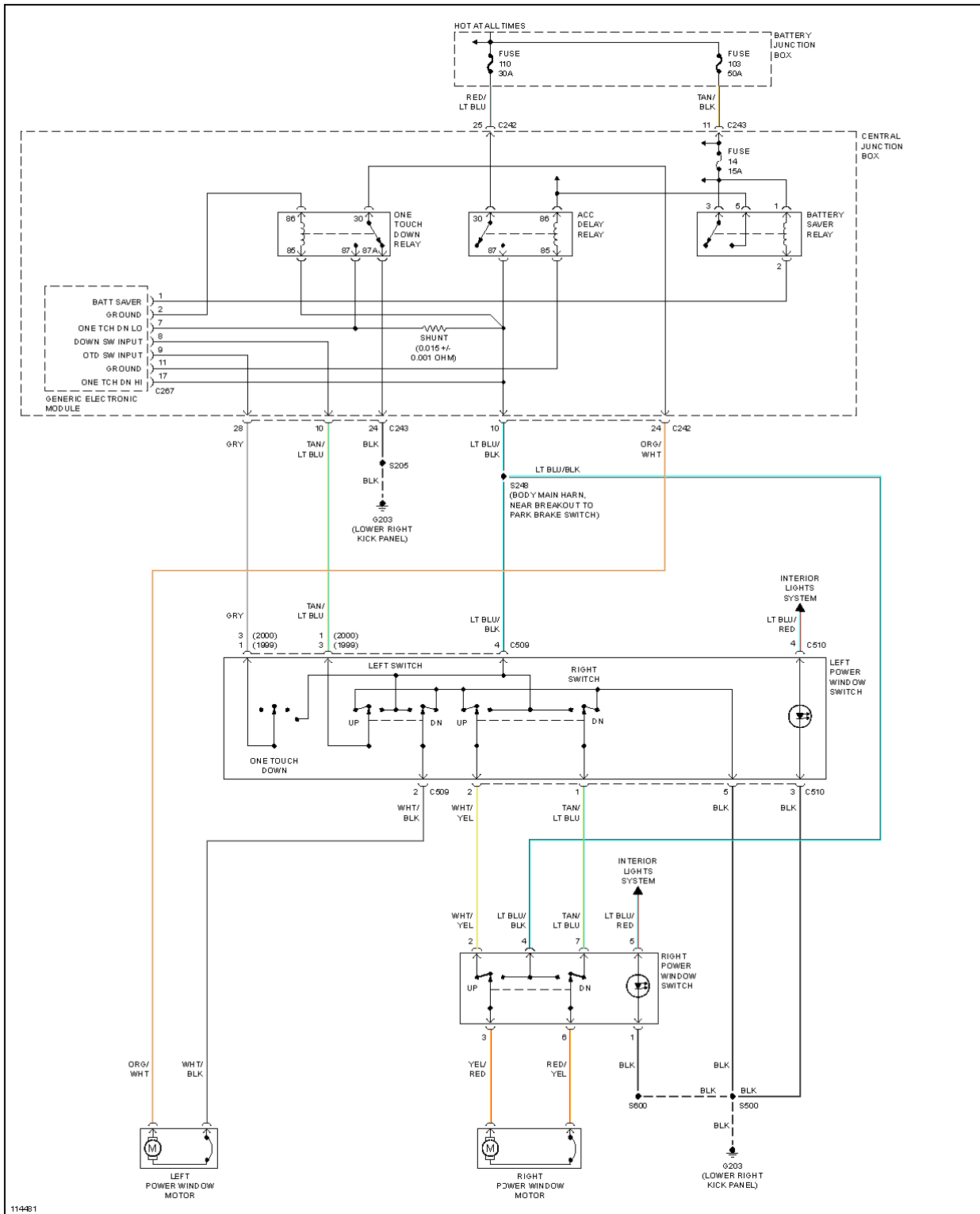
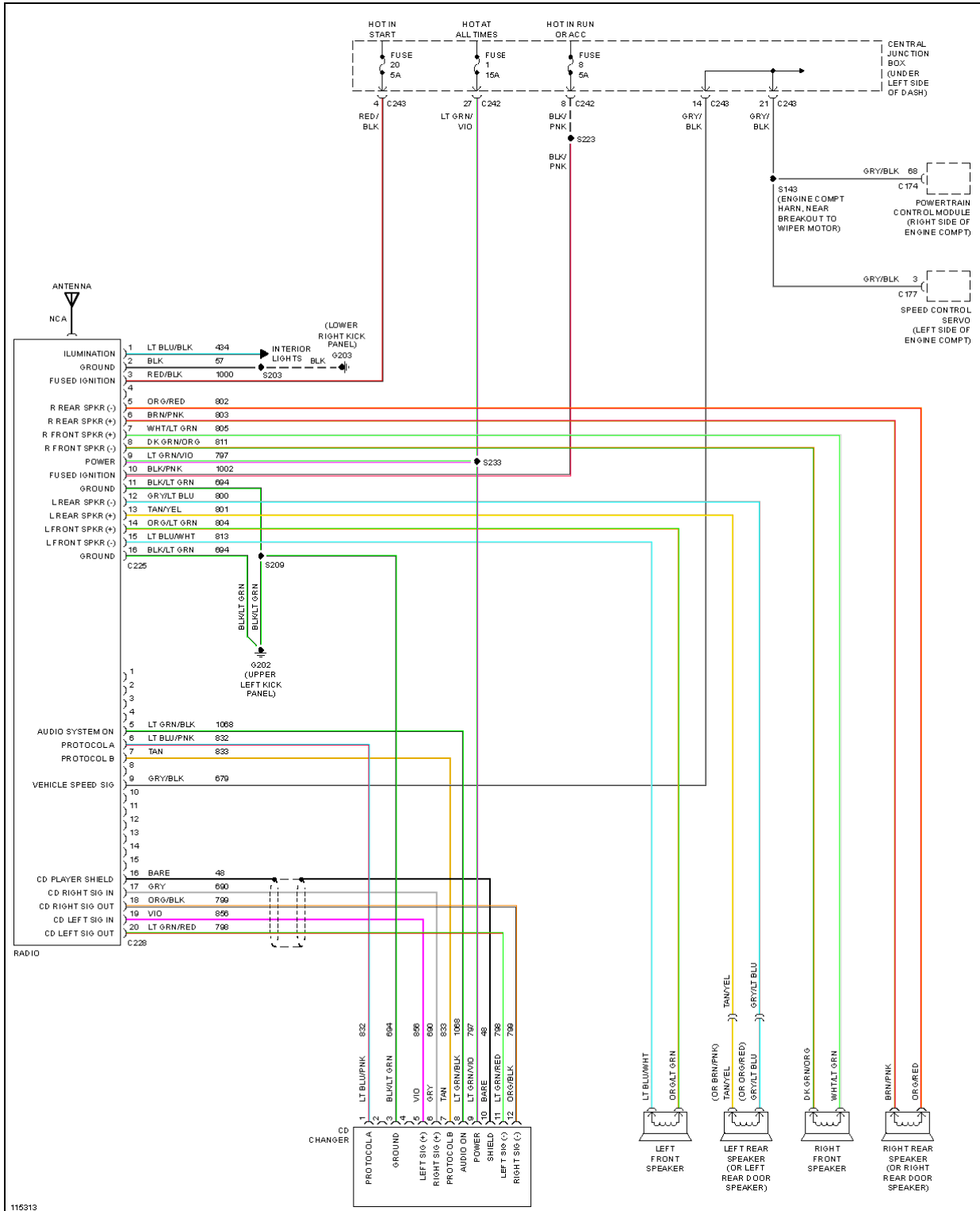


Fig. 64: Power Window Circuit

RADIO

2000 Ford Pickup F150

2000 System Wiring Diagrams Ford - Pickup F150



2000 Ford Pickup F150

2000 System Wiring Diagrams Ford - Pickup F150

Fig. 65: Radio Circuits, W/ CD Changer

2000 Ford Pickup F150

2000 System Wiring Diagrams Ford - Pickup F150

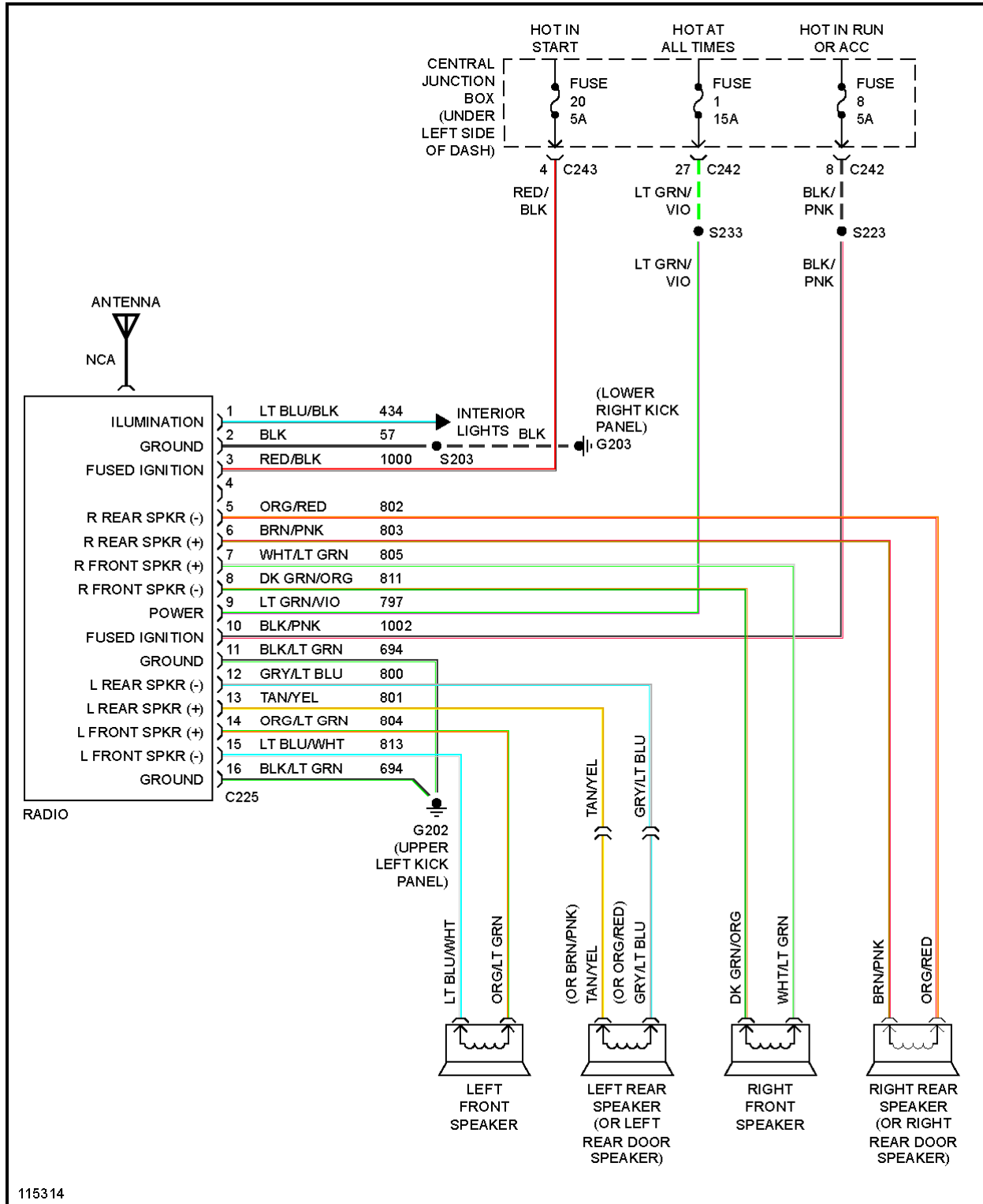
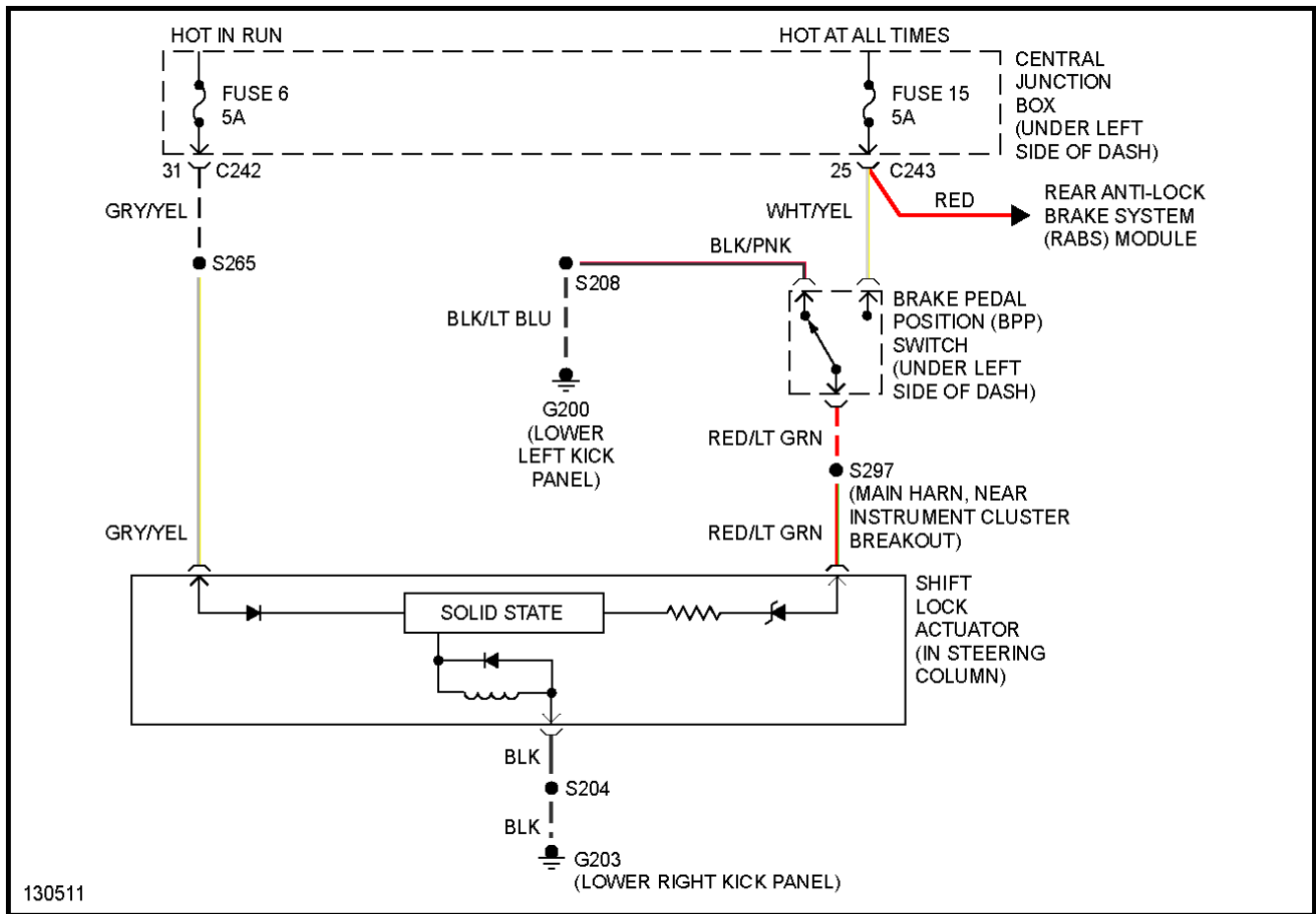


Fig. 66: Radio Circuits, W/O CD Changer

SHIFT INTERLOCKS

2000 Ford Pickup F150

2000 System Wiring Diagrams Ford - Pickup F150



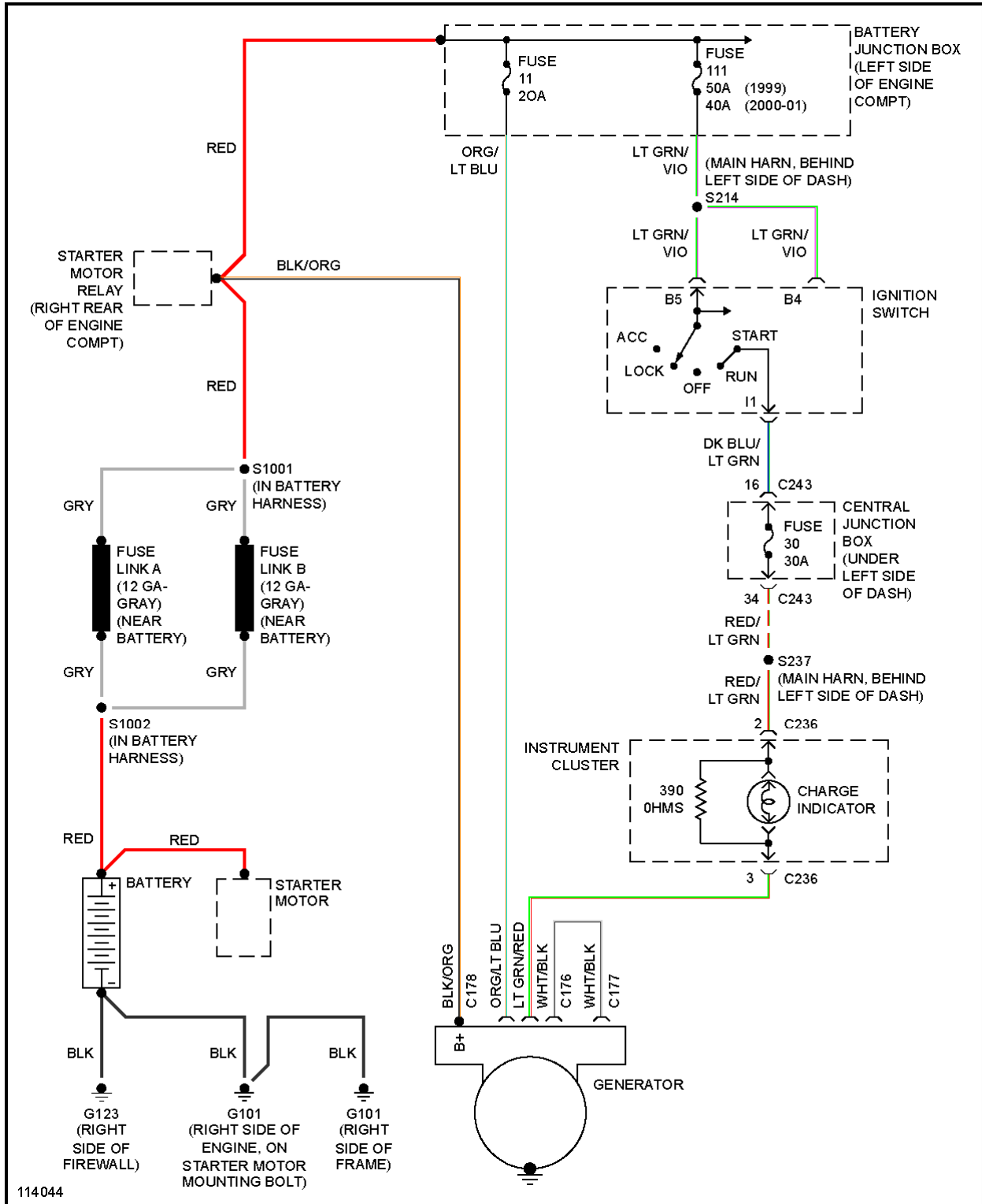
130511

Fig. 67: Shift Interlock Circuit

STARTING/CHARGING

2000 Ford Pickup F150

2000 System Wiring Diagrams Ford - Pickup F150



2000 Ford Pickup F150

2000 System Wiring Diagrams Ford - Pickup F150

Fig. 68: Charging Circuit

2000 Ford Pickup F150

2000 System Wiring Diagrams Ford - Pickup F150

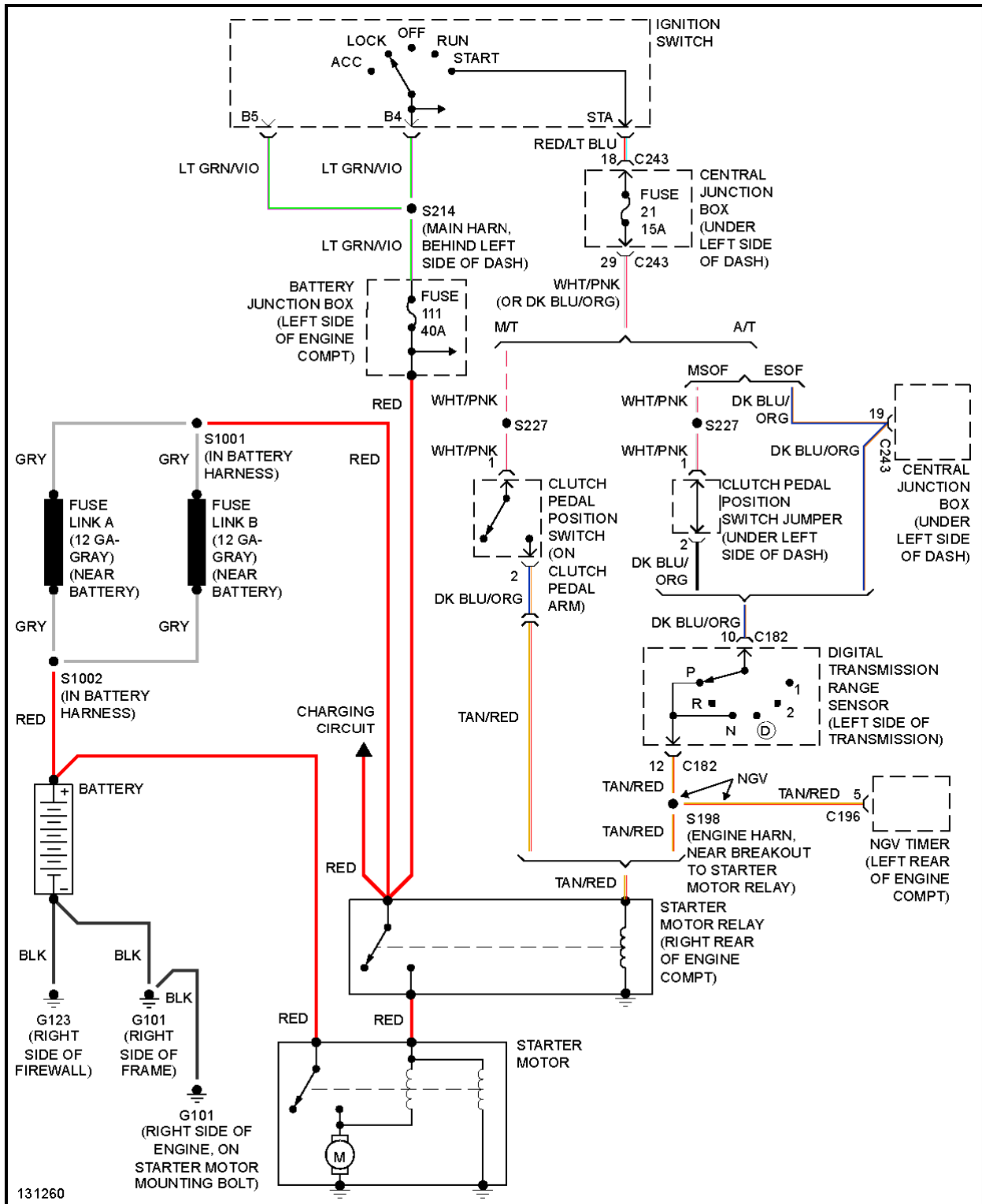


Fig. 69: Starting Circuit

SUPPLEMENTAL RESTRAINTS

2000 Ford Pickup F150

2000 System Wiring Diagrams Ford - Pickup F150

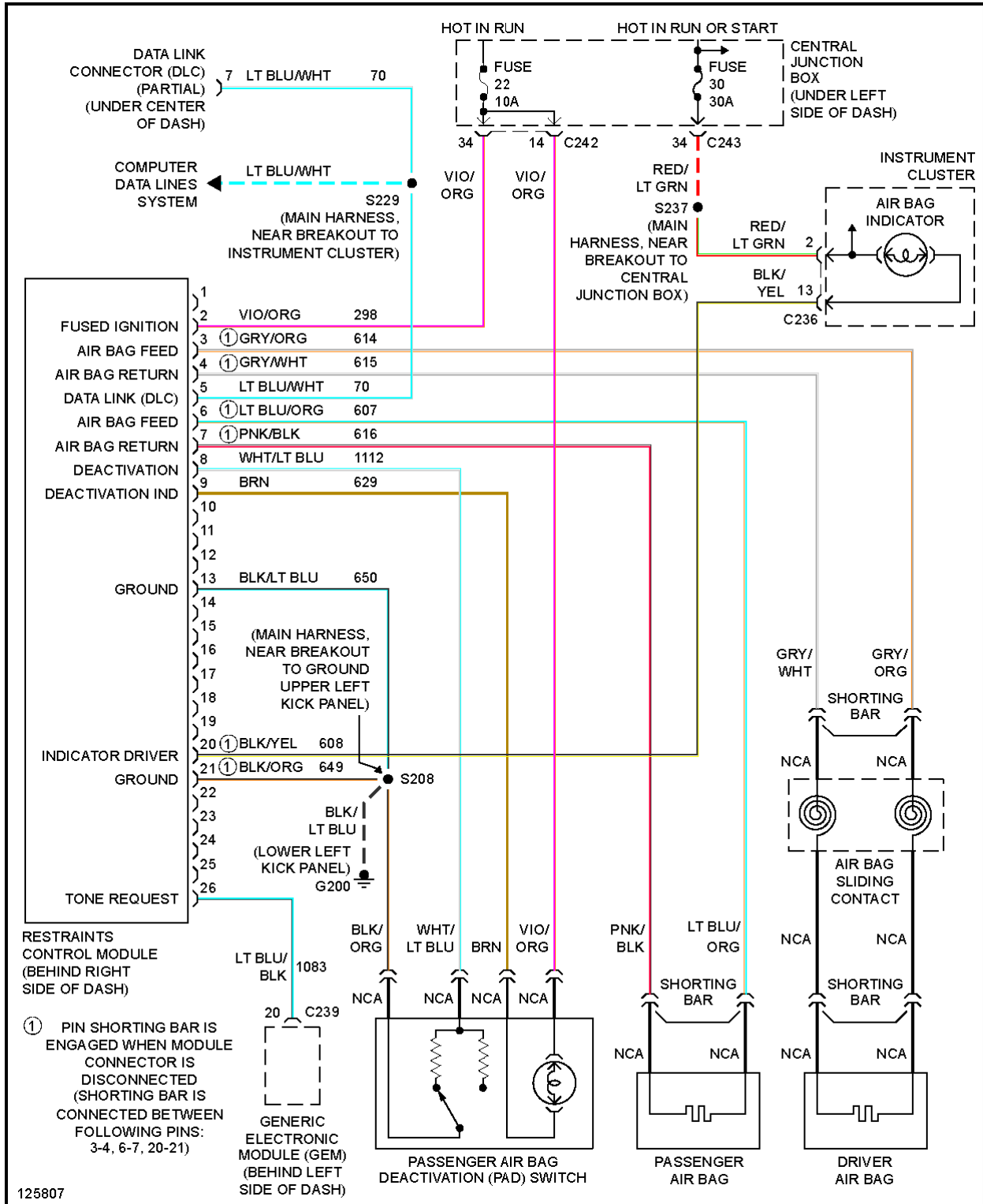


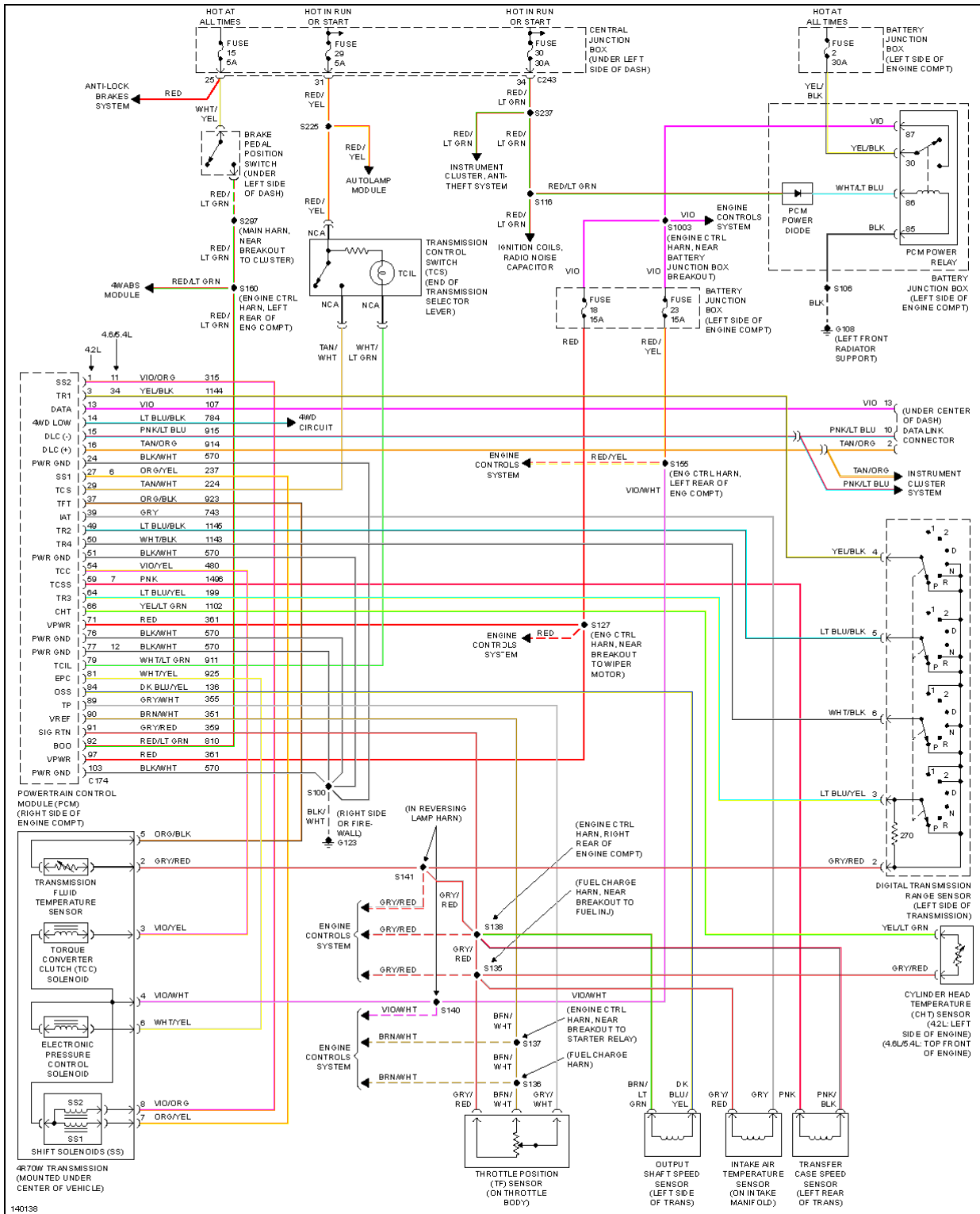
Fig. 70: Supplemental Restraint Circuit

TRANSMISSION

4.2L

2000 Ford Pickup F150

2000 System Wiring Diagrams Ford - Pickup F150



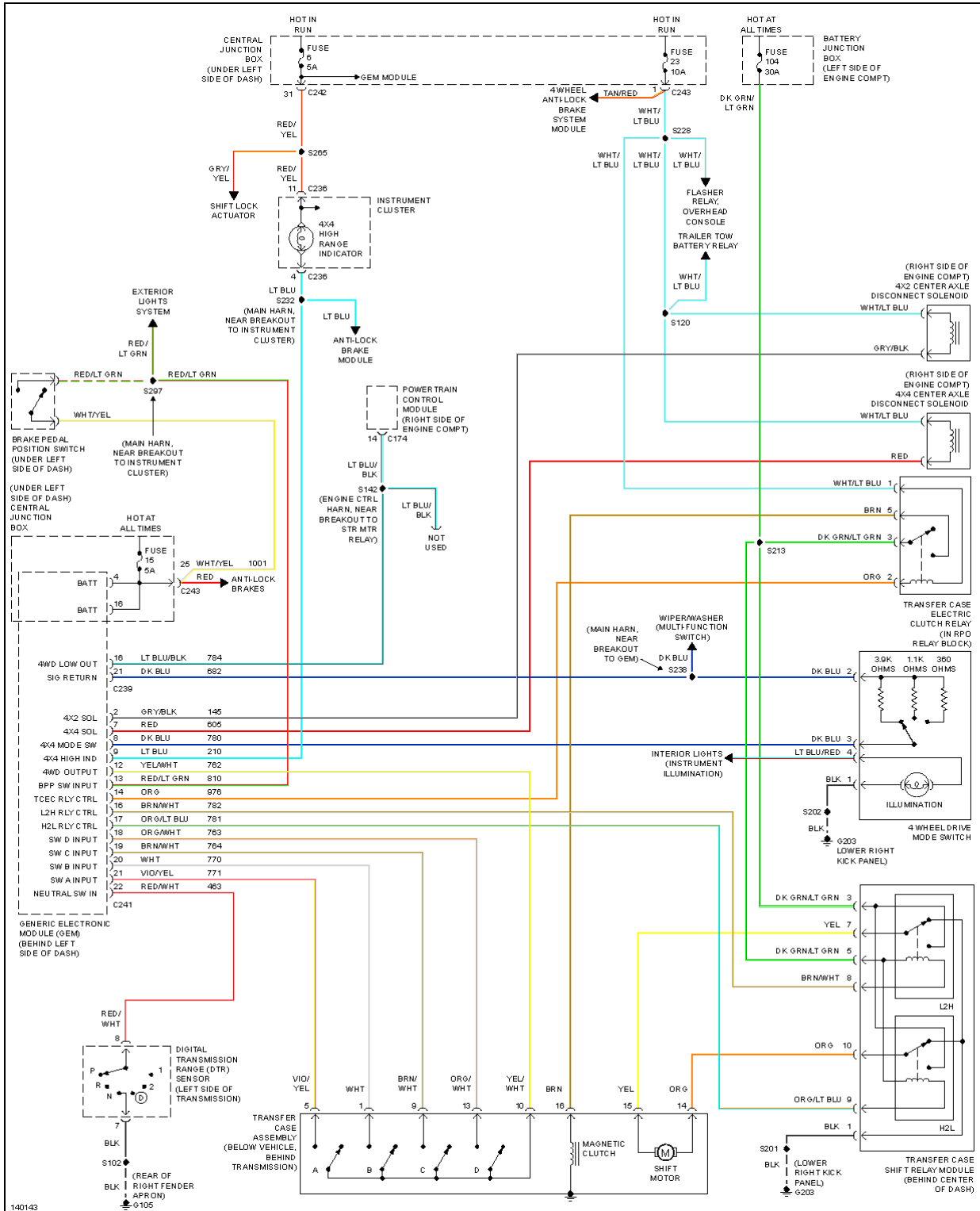
2000 Ford Pickup F150

2000 System Wiring Diagrams Ford - Pickup F150

Fig. 71: 4.2L, A/T Circuit, 4R70W

2000 Ford Pickup F150

2000 System Wiring Diagrams Ford - Pickup F150



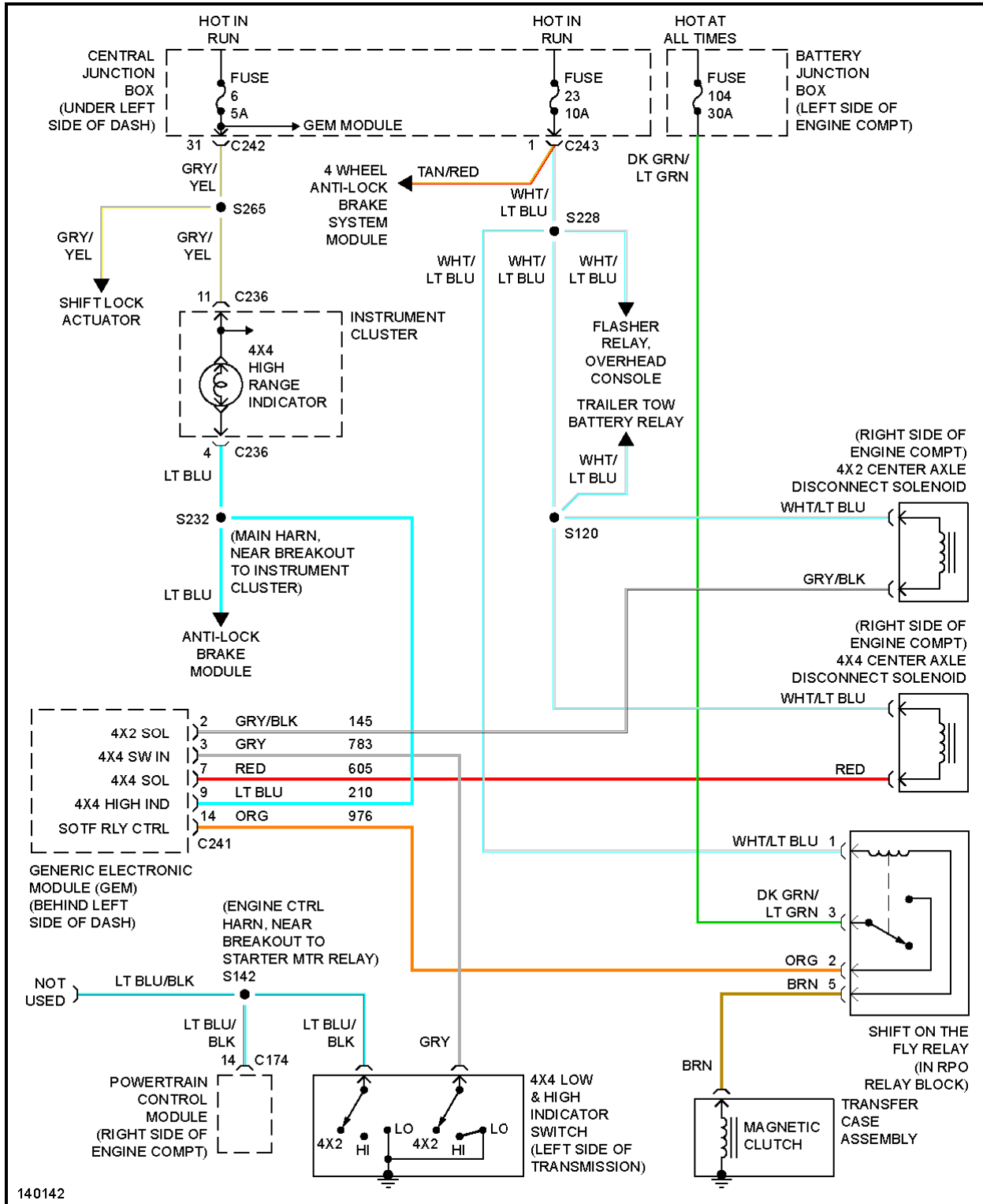
2000 Ford Pickup F150

2000 System Wiring Diagrams Ford - Pickup F150

Fig. 72: 4WD Circuit, Electronic

2000 Ford Pickup F150

2000 System Wiring Diagrams Ford - Pickup F150



2000 Ford Pickup F150

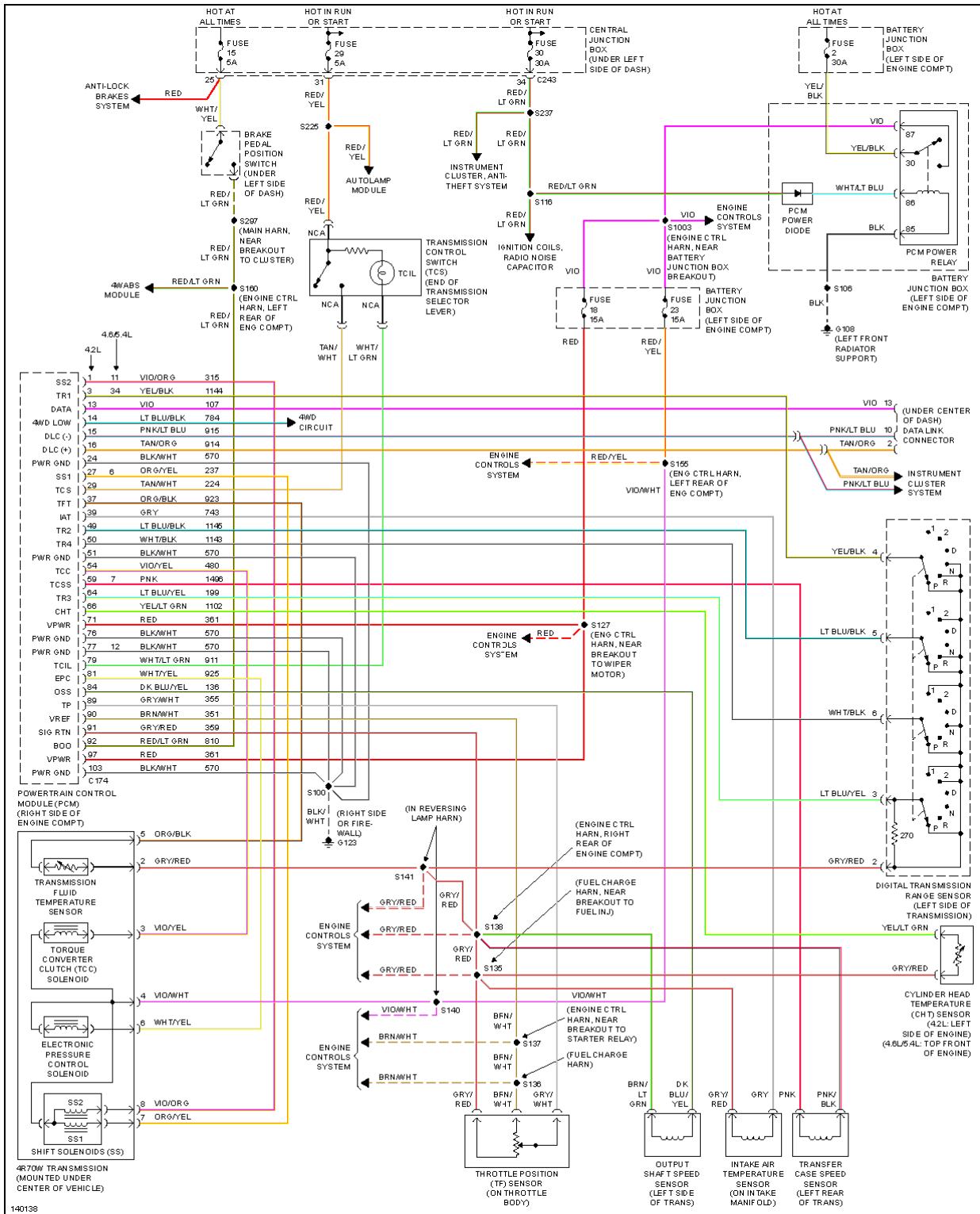
2000 System Wiring Diagrams Ford - Pickup F150

Fig. 73: 4WD Circuit, Mechanical

4.6L

2000 Ford Pickup F150

2000 System Wiring Diagrams Ford - Pickup F150



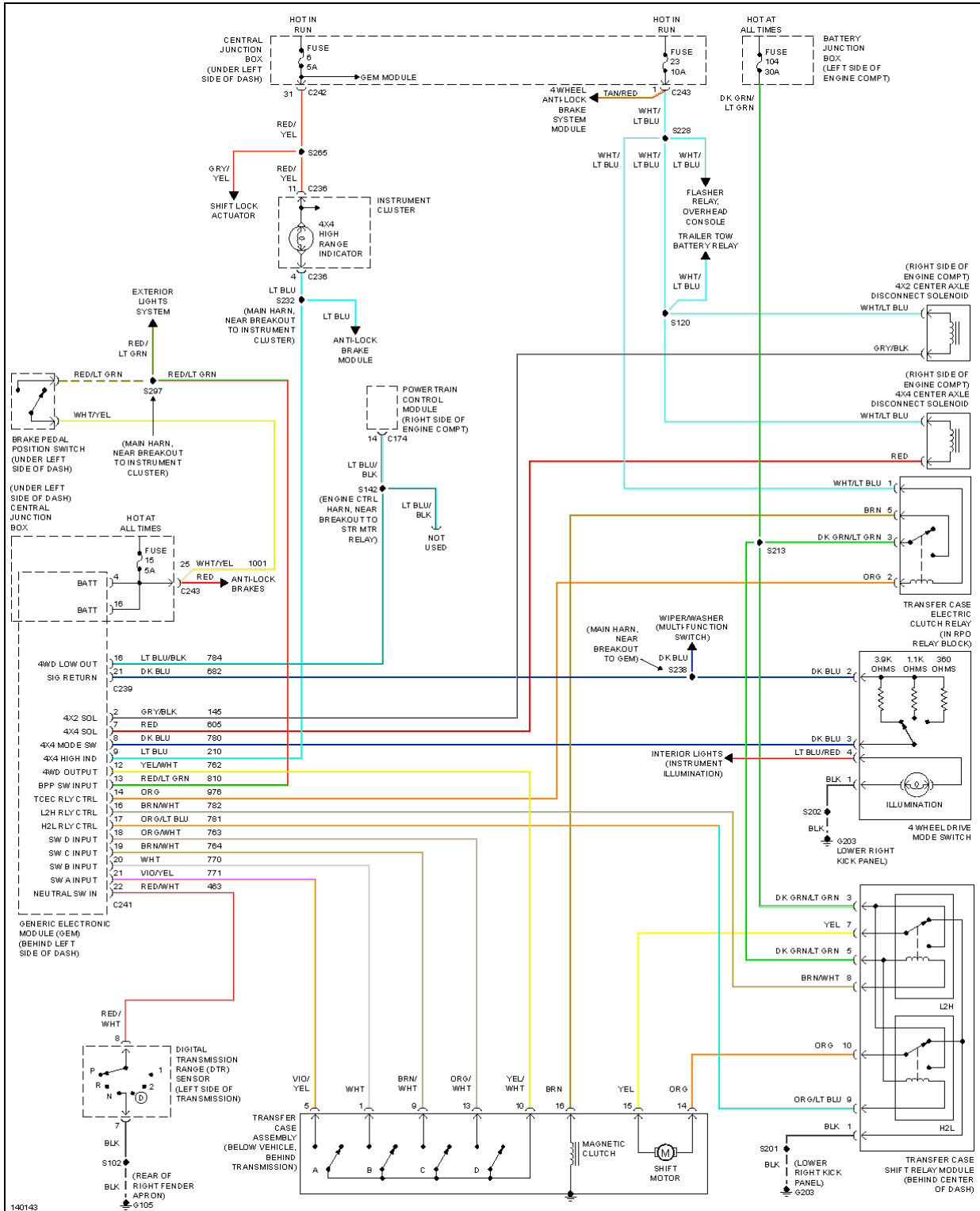
2000 Ford Pickup F150

2000 System Wiring Diagrams Ford - Pickup F150

Fig. 74: 4.6L, A/T Circuit, 4R70W

2000 Ford Pickup F150

2000 System Wiring Diagrams Ford - Pickup F150



2000 Ford Pickup F150

2000 System Wiring Diagrams Ford - Pickup F150

Fig. 75: 4WD Circuit, Electronic

2000 Ford Pickup F150

2000 System Wiring Diagrams Ford - Pickup F150

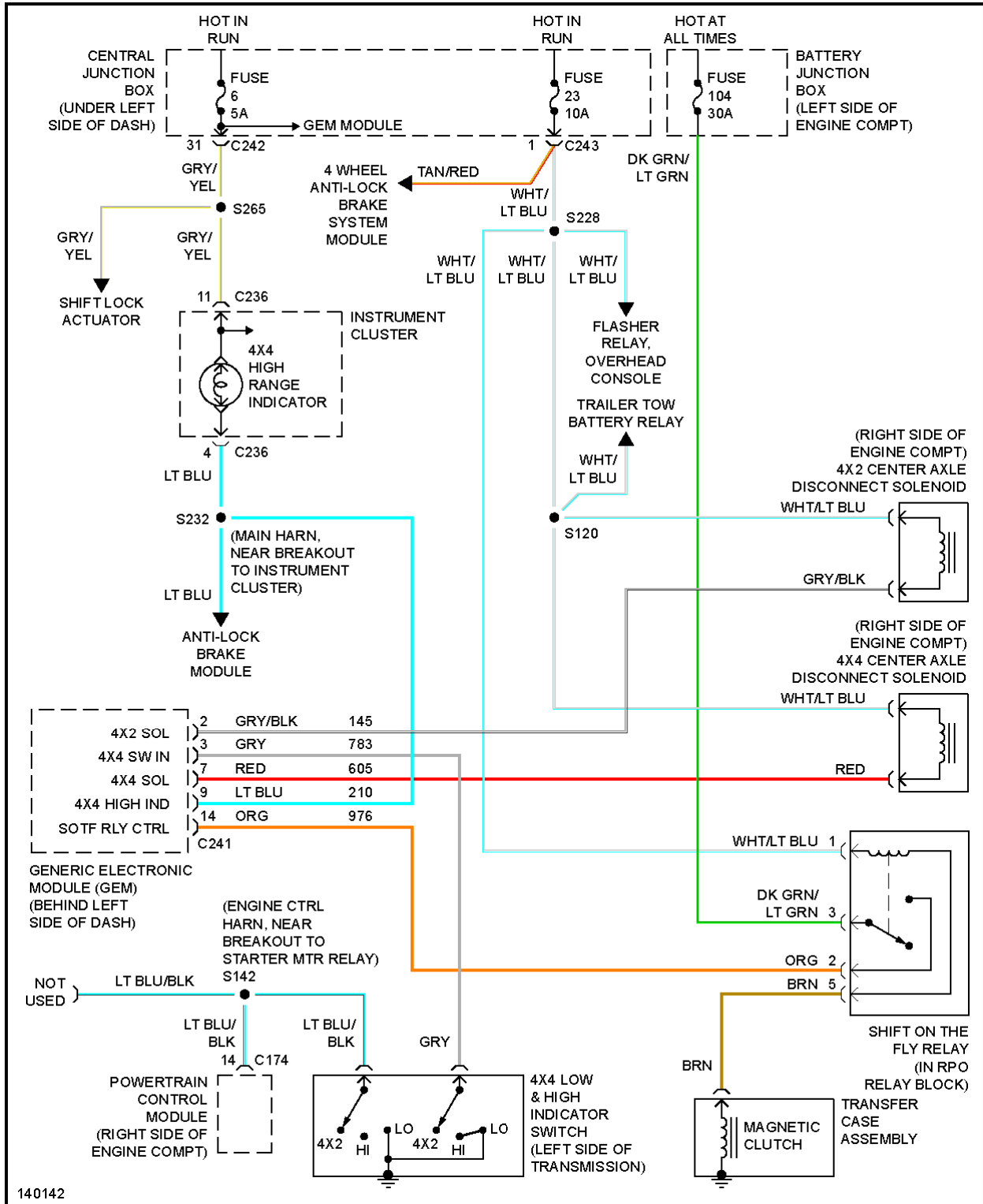
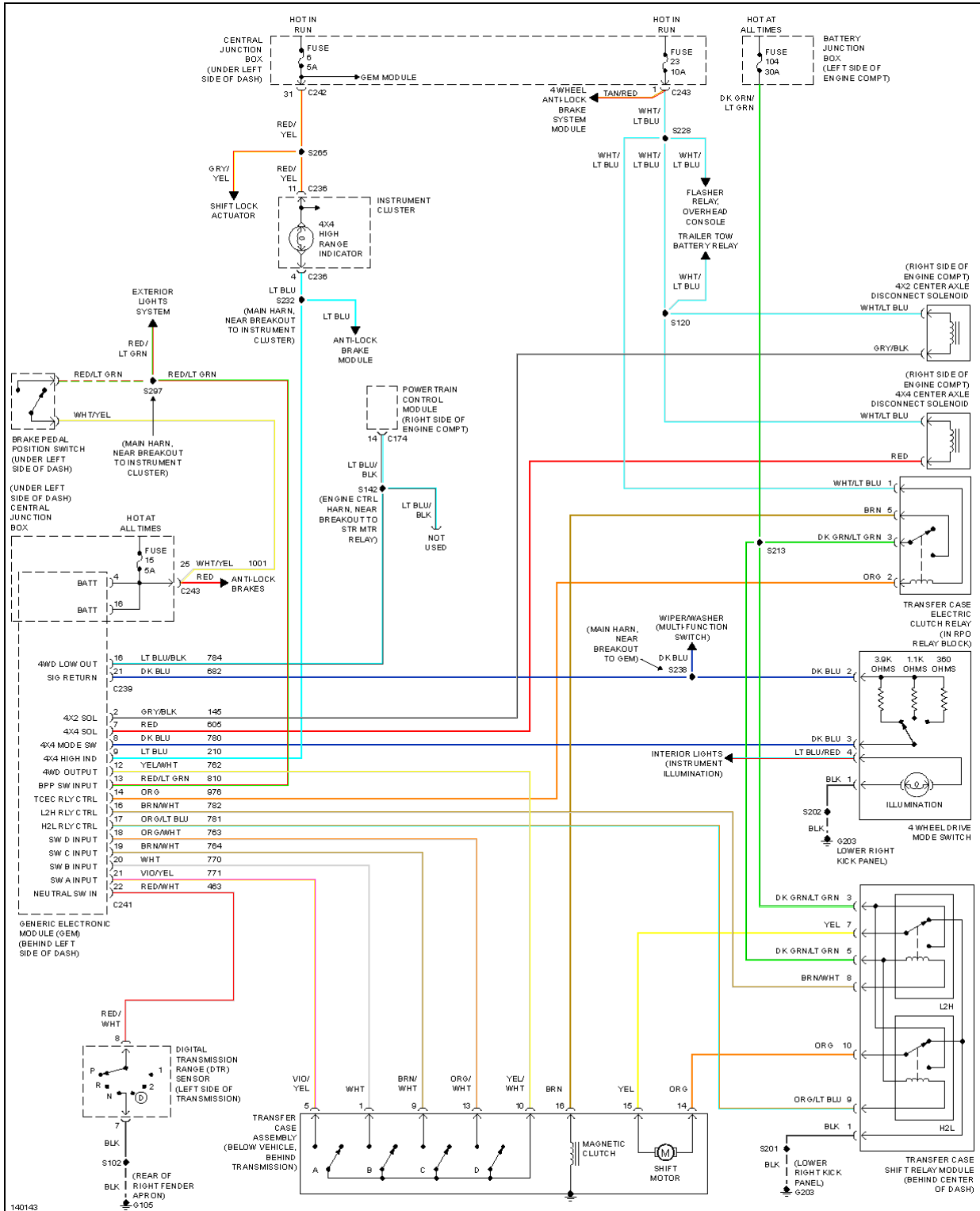


Fig. 76: 4WD Circuit, Mechanical

5.4L

2000 Ford Pickup F150

2000 System Wiring Diagrams Ford - Pickup F150



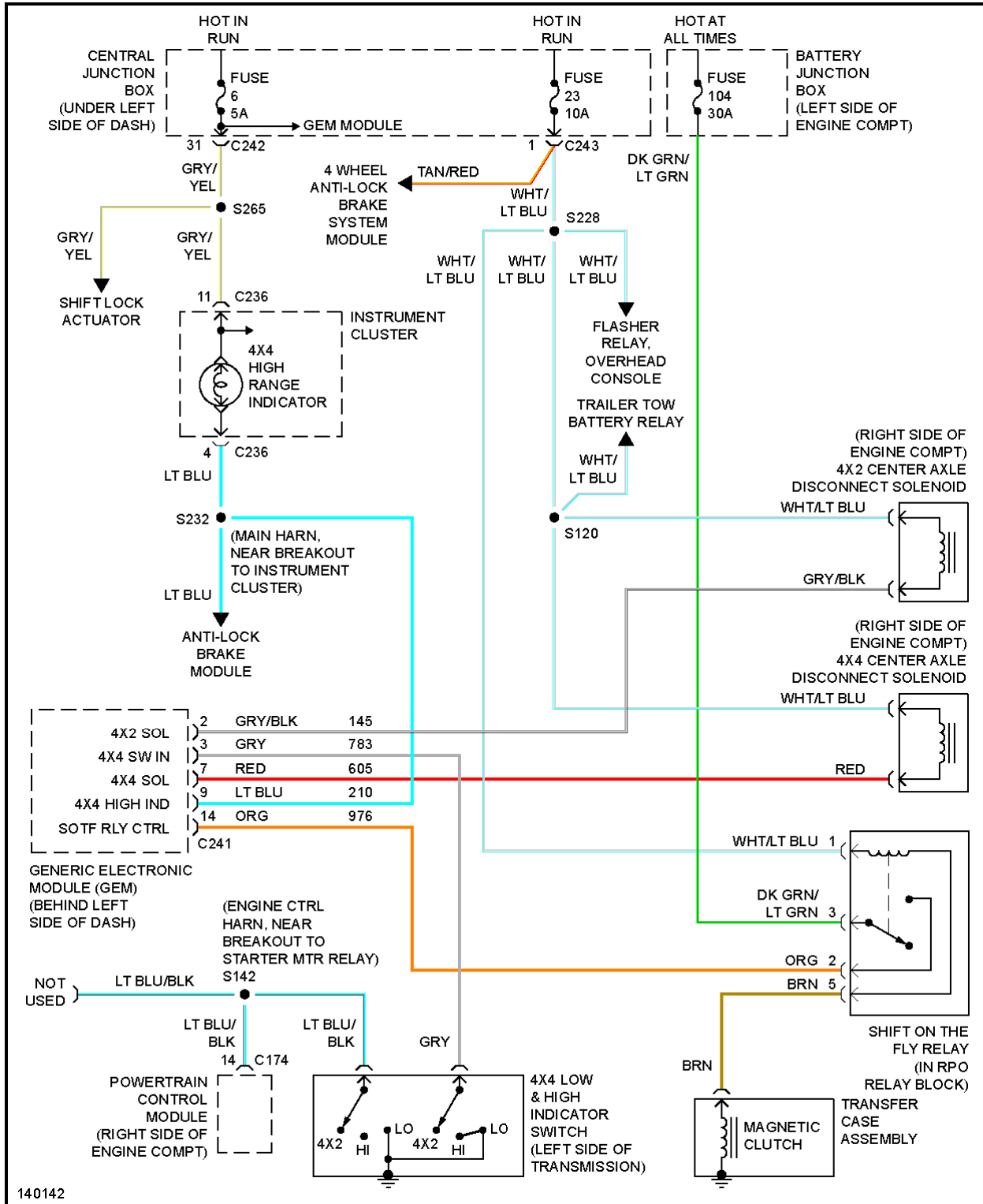
2000 Ford Pickup F150

2000 System Wiring Diagrams Ford - Pickup F150

Fig. 77: 4WD Circuit, Electronic

2000 Ford Pickup F150

2000 System Wiring Diagrams Ford - Pickup F150



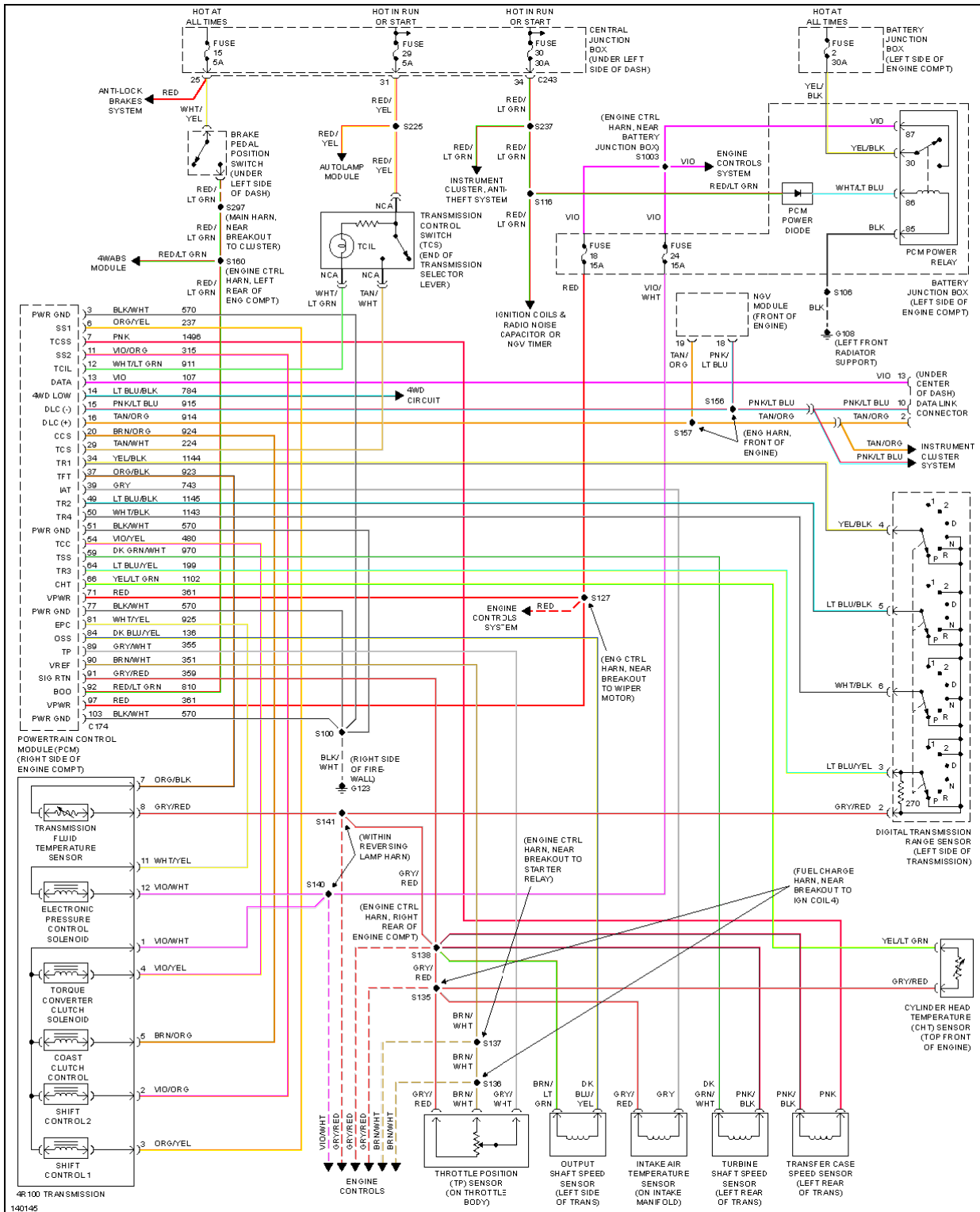
2000 Ford Pickup F150

2000 System Wiring Diagrams Ford - Pickup F150

Fig. 78: 4WD Circuit, Mechanical

2000 Ford Pickup F150

2000 System Wiring Diagrams Ford - Pickup F150



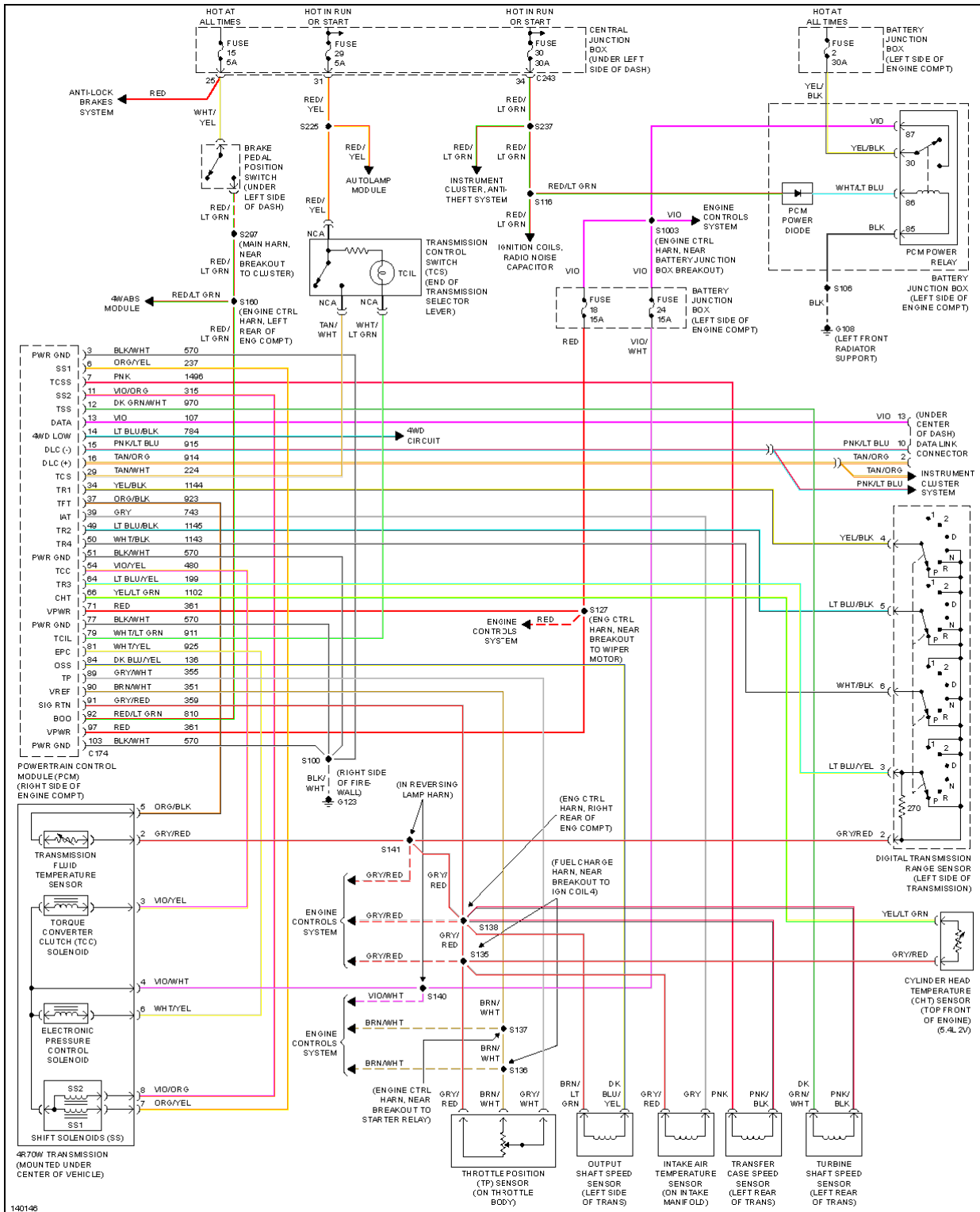
2000 Ford Pickup F150

2000 System Wiring Diagrams Ford - Pickup F150

Fig. 79: 5.4L Bi-Fuel, A/T Circuit, 4R100

2000 Ford Pickup F150

2000 System Wiring Diagrams Ford - Pickup F150



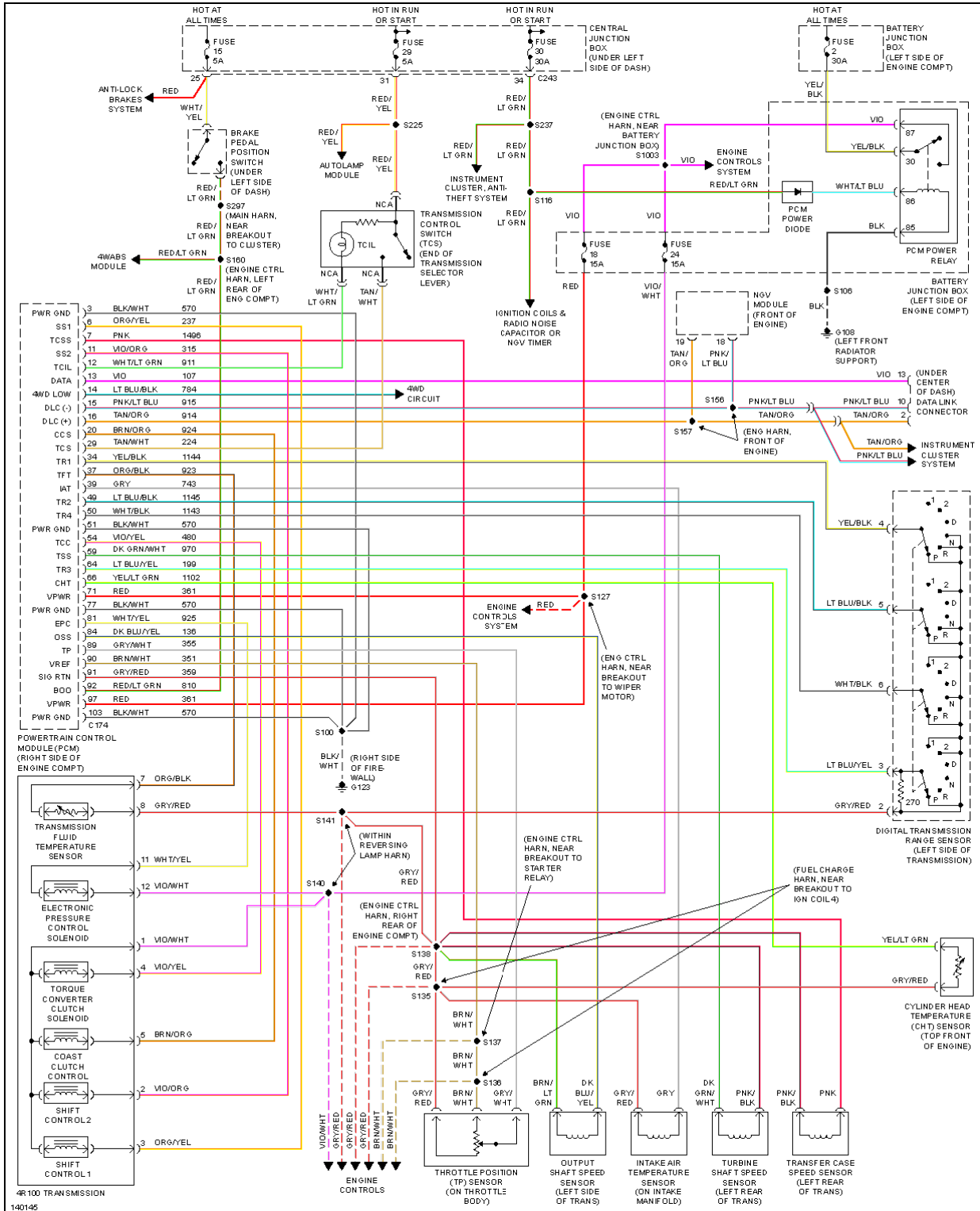
2000 Ford Pickup F150

2000 System Wiring Diagrams Ford - Pickup F150

Fig. 80: 5.4L Bi-Fuel, A/T Circuit, 4R70W

2000 Ford Pickup F150

2000 System Wiring Diagrams Ford - Pickup F150



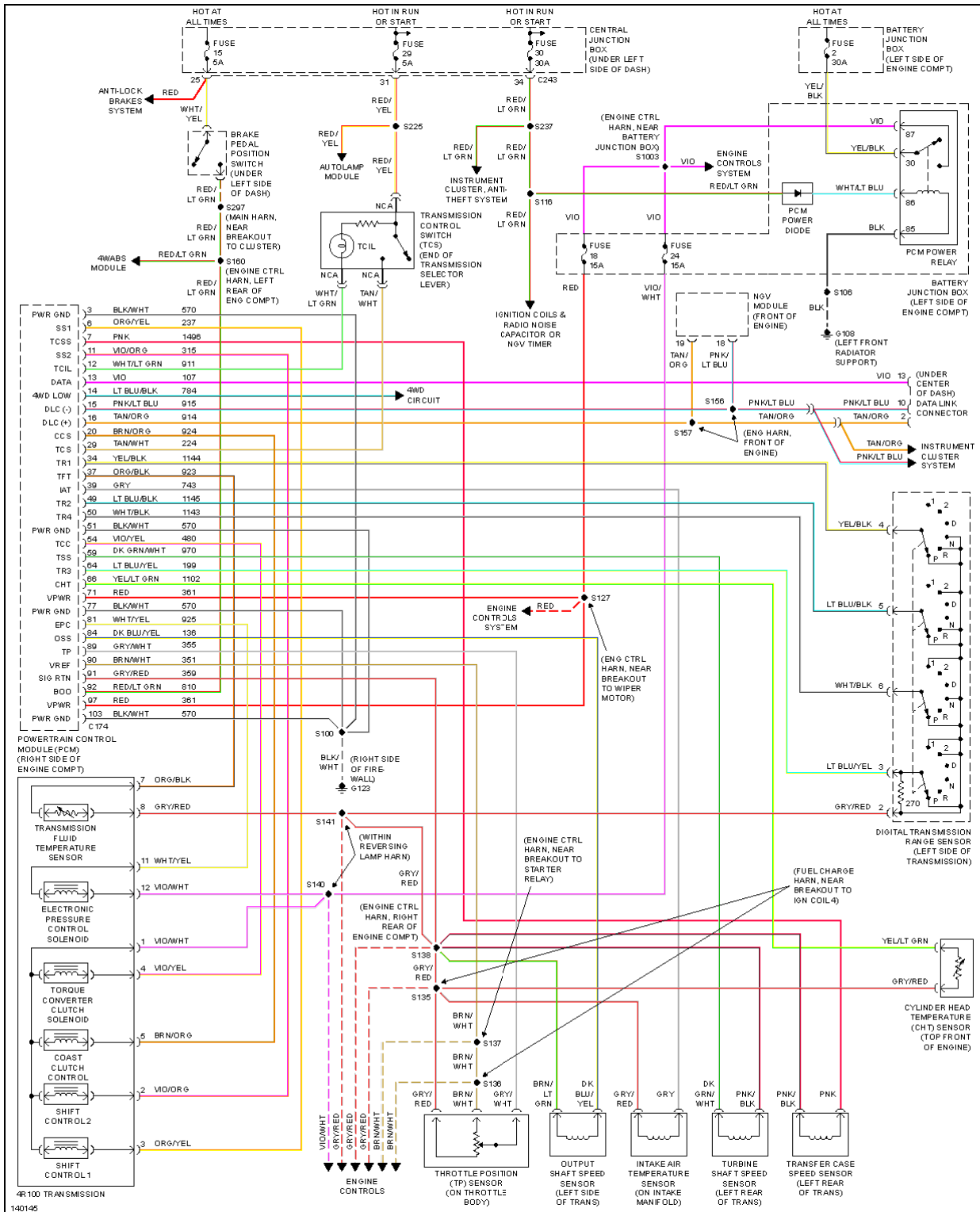
2000 Ford Pickup F150

2000 System Wiring Diagrams Ford - Pickup F150

Fig. 81: 5.4L CNG, A/T Circuit, 4R100

2000 Ford Pickup F150

2000 System Wiring Diagrams Ford - Pickup F150



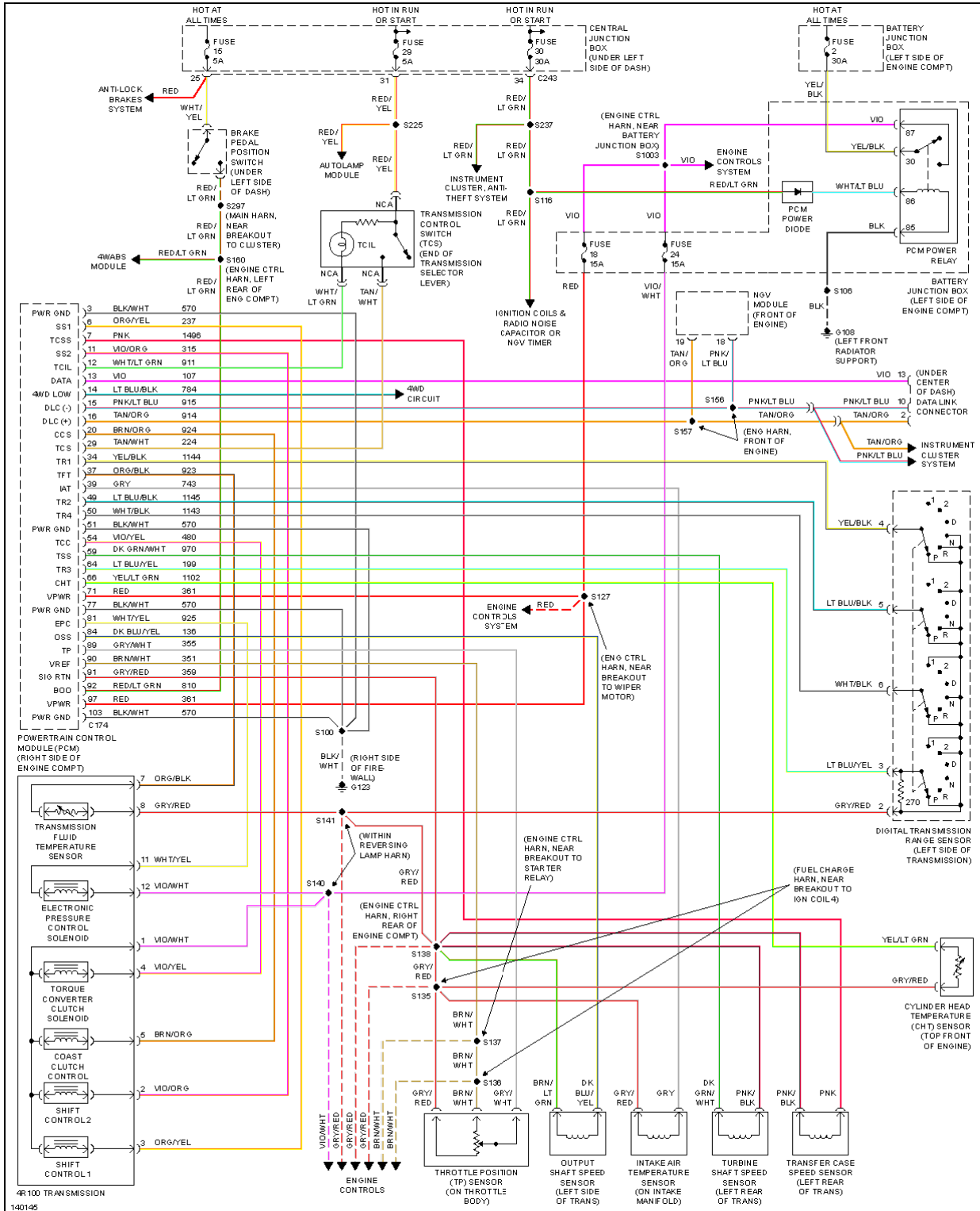
2000 Ford Pickup F150

2000 System Wiring Diagrams Ford - Pickup F150

Fig. 82: 5.4L Supercharged, A/T Circuit, 4R100

2000 Ford Pickup F150

2000 System Wiring Diagrams Ford - Pickup F150



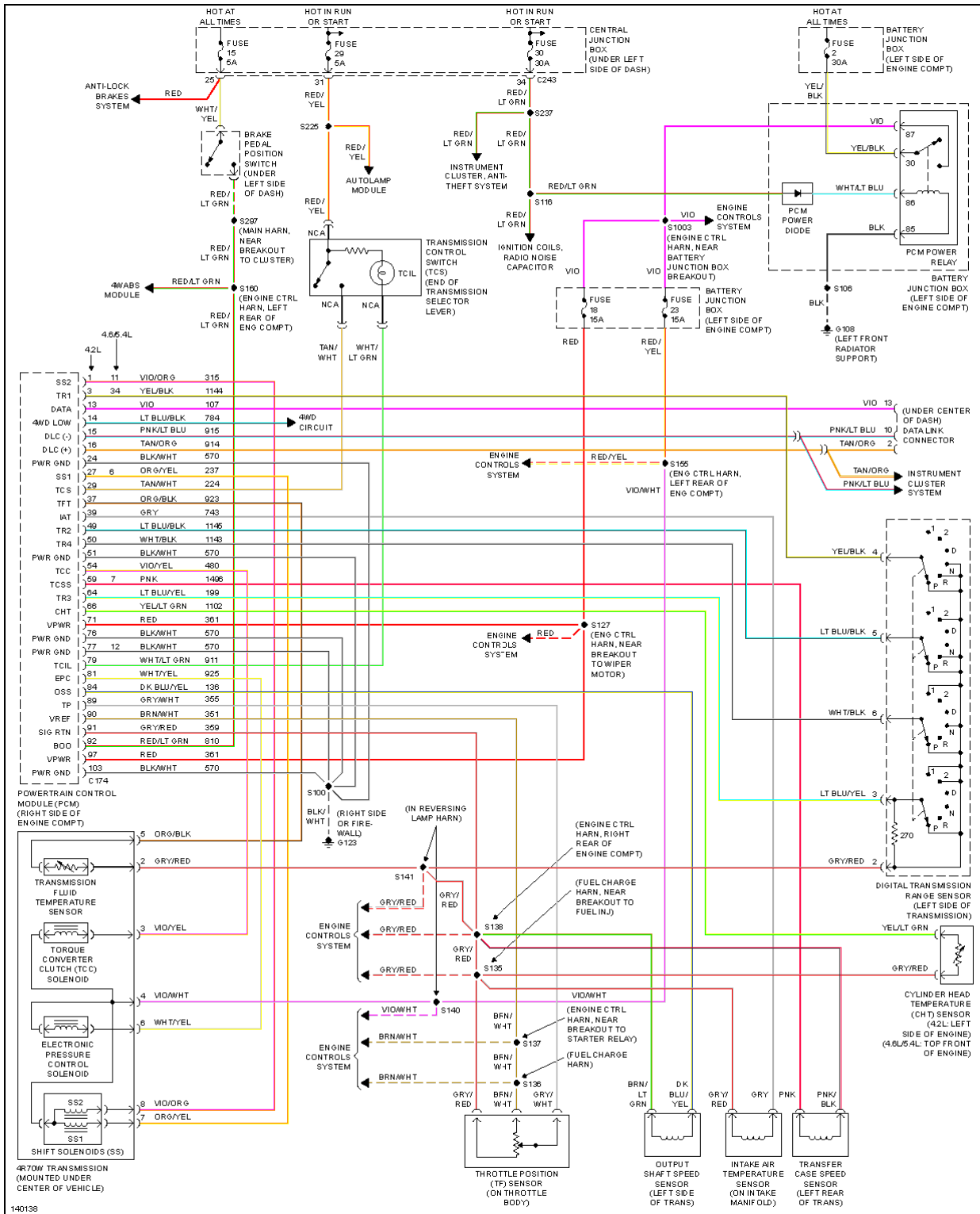
2000 Ford Pickup F150

2000 System Wiring Diagrams Ford - Pickup F150

Fig. 83: 5.4L, A/T Circuit, 4R100

2000 Ford Pickup F150

2000 System Wiring Diagrams Ford - Pickup F150



2000 Ford Pickup F150

2000 System Wiring Diagrams Ford - Pickup F150

Fig. 84: 5.4L, A/T Circuit, 4R70W

WARNING SYSTEMS

2000 Ford Pickup F150

2000 System Wiring Diagrams Ford - Pickup F150

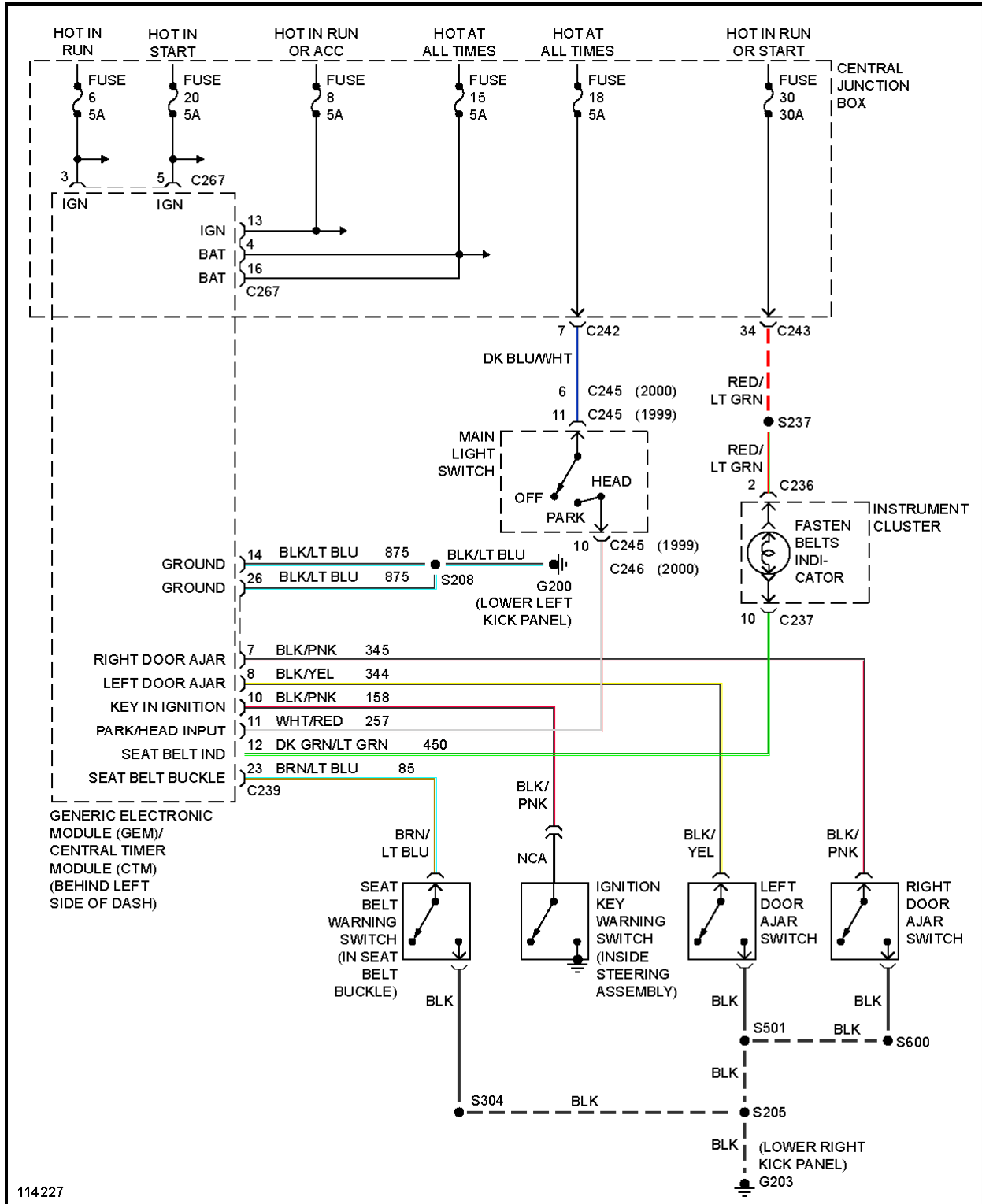
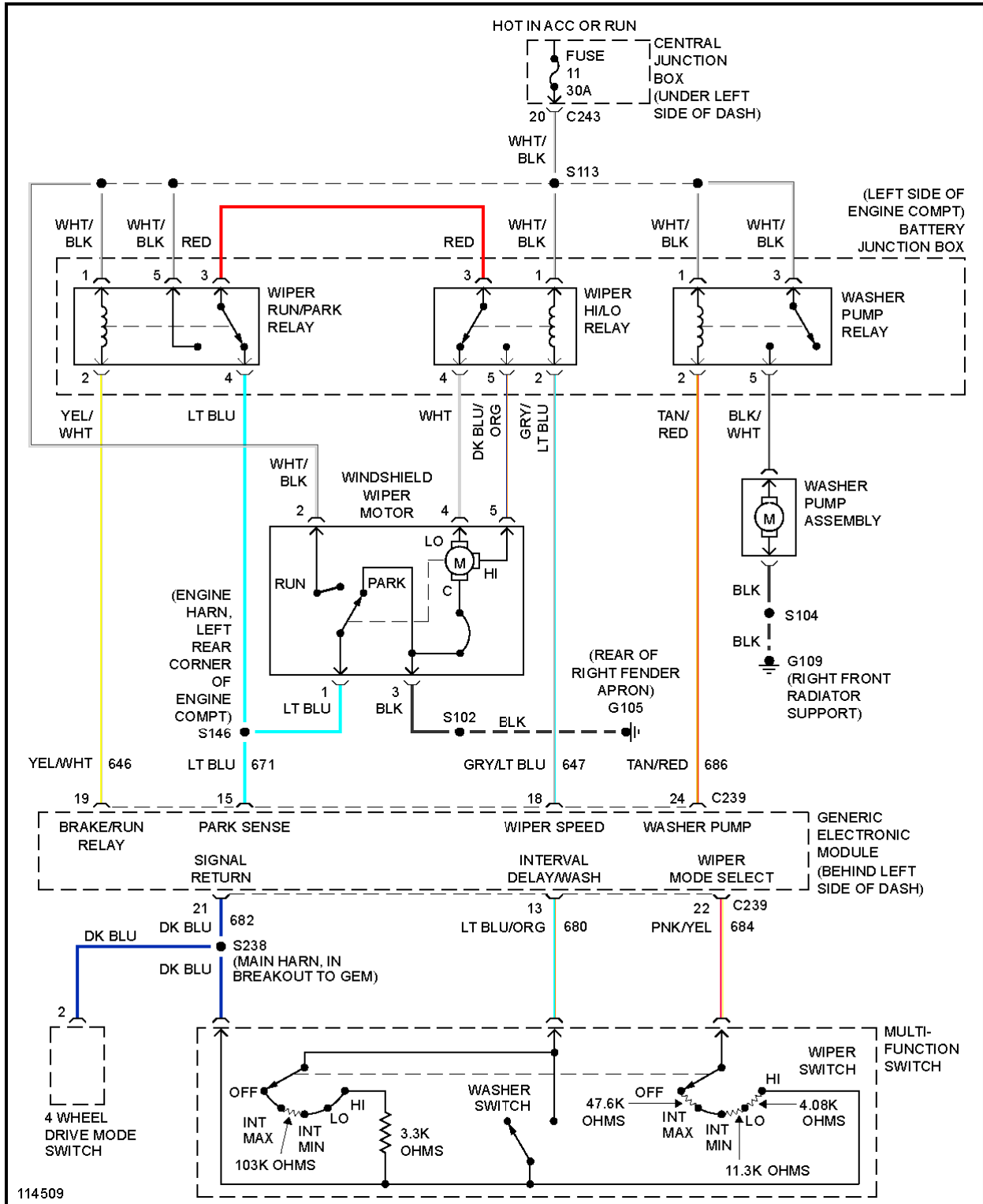


Fig. 85: Warning System Circuits

WIPER/WASHER

2000 Ford Pickup F150

2000 System Wiring Diagrams Ford - Pickup F150



2000 Ford Pickup F150

2000 System Wiring Diagrams Ford - Pickup F150

Fig. 86: Wiper/Washer Circuit