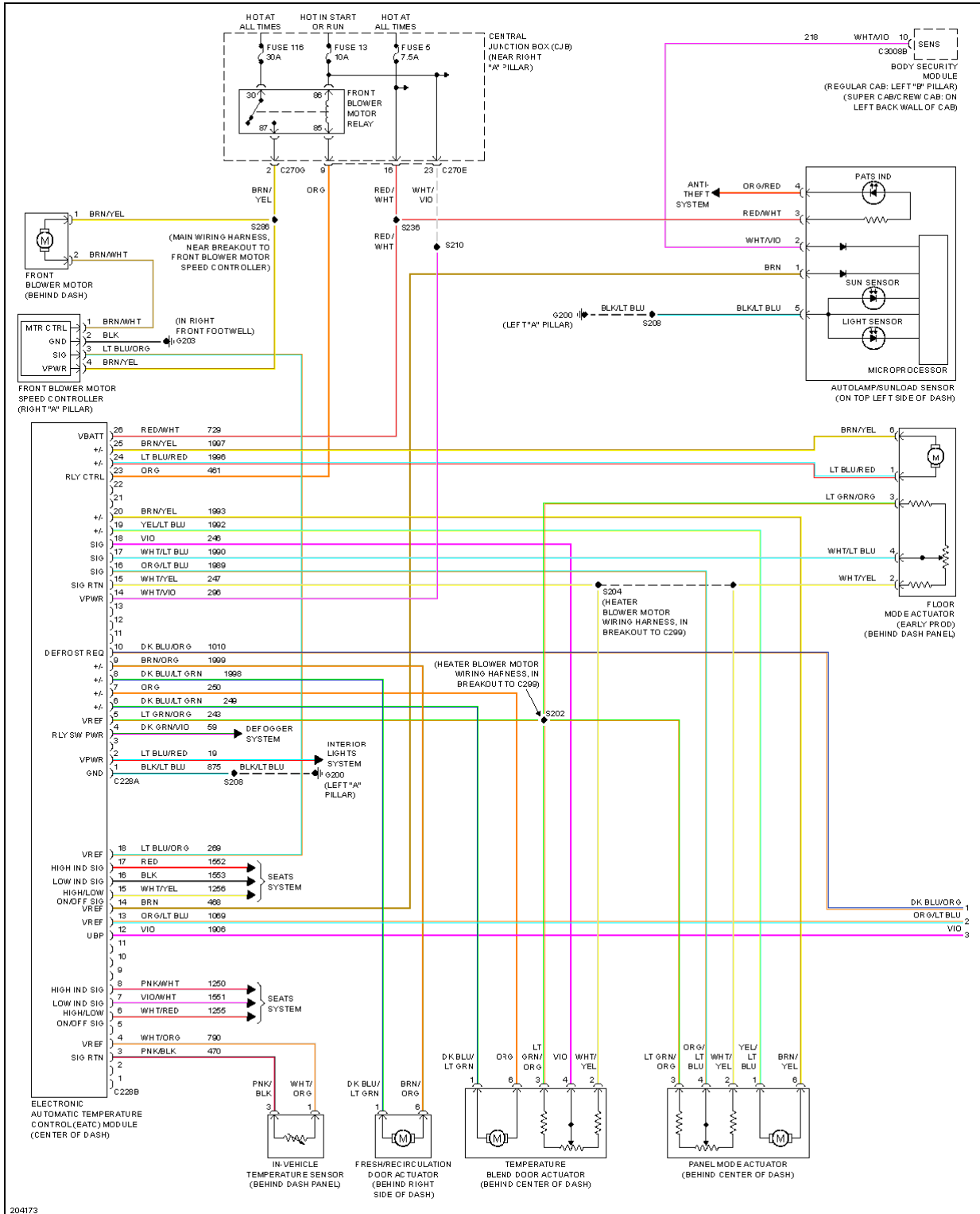


AIR CONDITIONING

2005 Ford Pickup F150

2005 SYSTEM WIRING DIAGRAMS Ford - Pickup F150



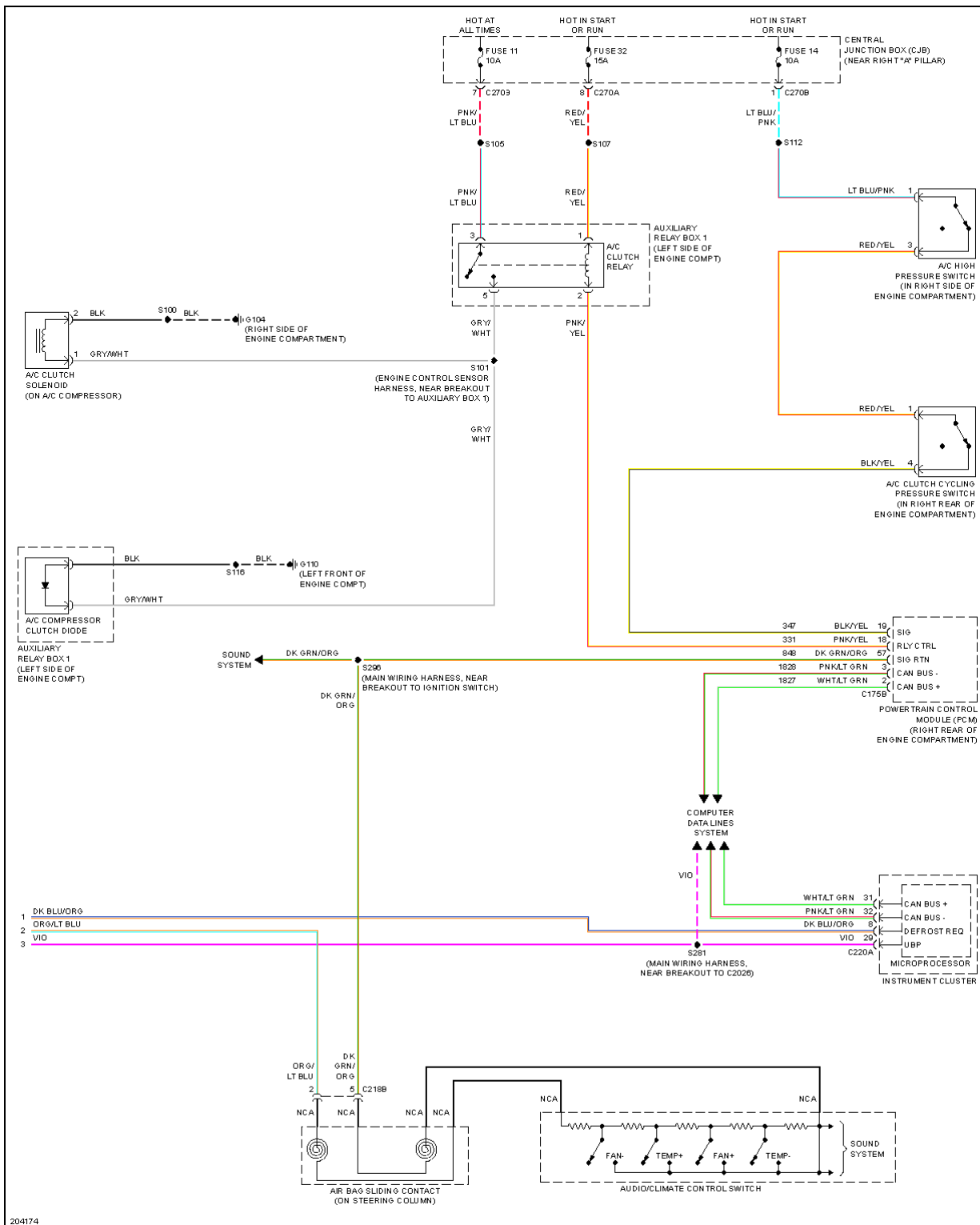
2005 Ford Pickup F150

2005 SYSTEM WIRING DIAGRAMS Ford - Pickup F150

Fig. 1: Automatic A/C Circuit (1 of 2)

2005 Ford Pickup F150

2005 SYSTEM WIRING DIAGRAMS Ford - Pickup F150



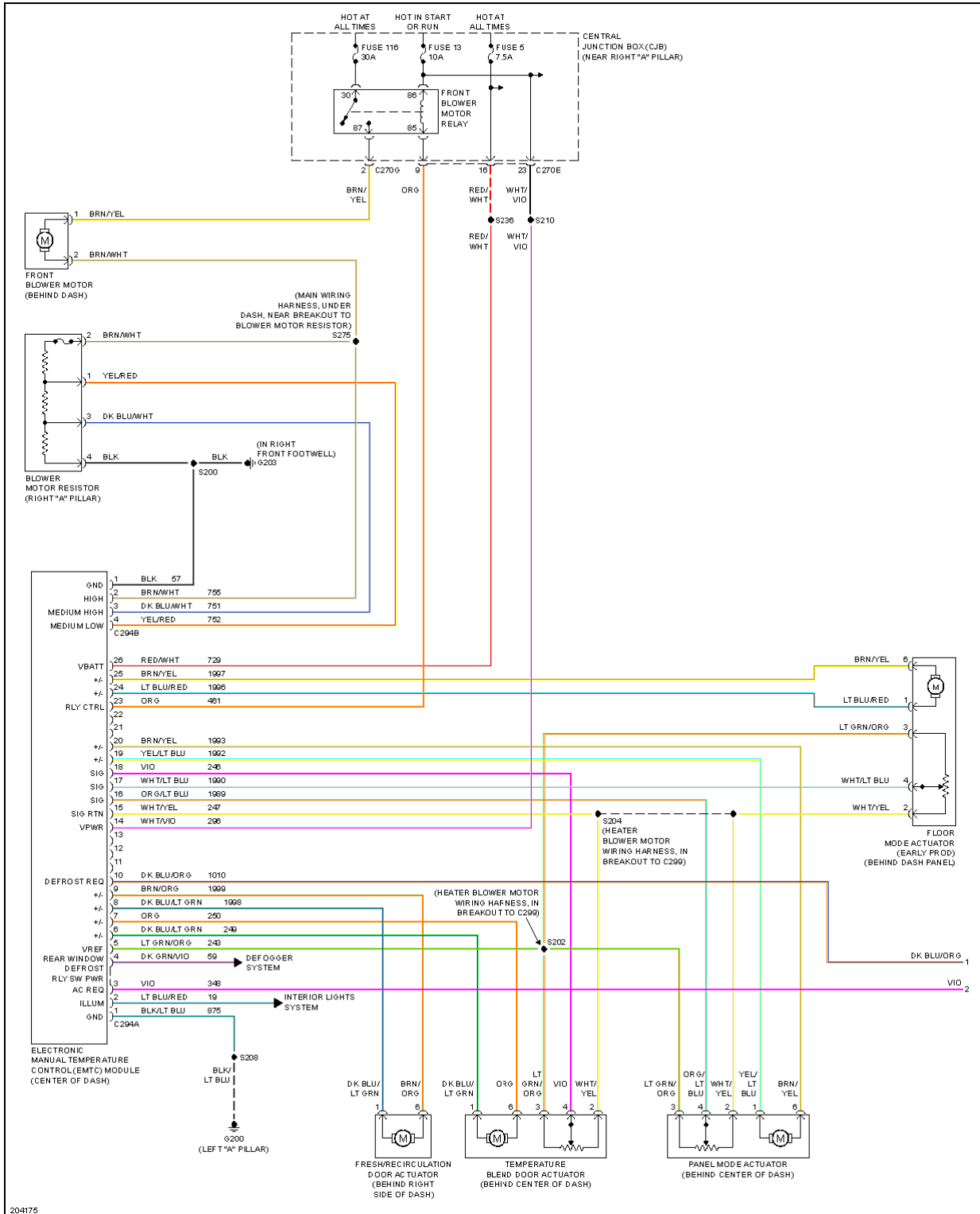
2005 Ford Pickup F150

2005 SYSTEM WIRING DIAGRAMS Ford - Pickup F150

Fig. 2: Automatic A/C Circuit (2 of 2)

2005 Ford Pickup F150

2005 SYSTEM WIRING DIAGRAMS Ford - Pickup F150



2005 Ford Pickup F150

2005 SYSTEM WIRING DIAGRAMS Ford - Pickup F150

Fig. 3: Manual A/C Circuit (1 of 2)

2005 Ford Pickup F150

2005 SYSTEM WIRING DIAGRAMS Ford - Pickup F150

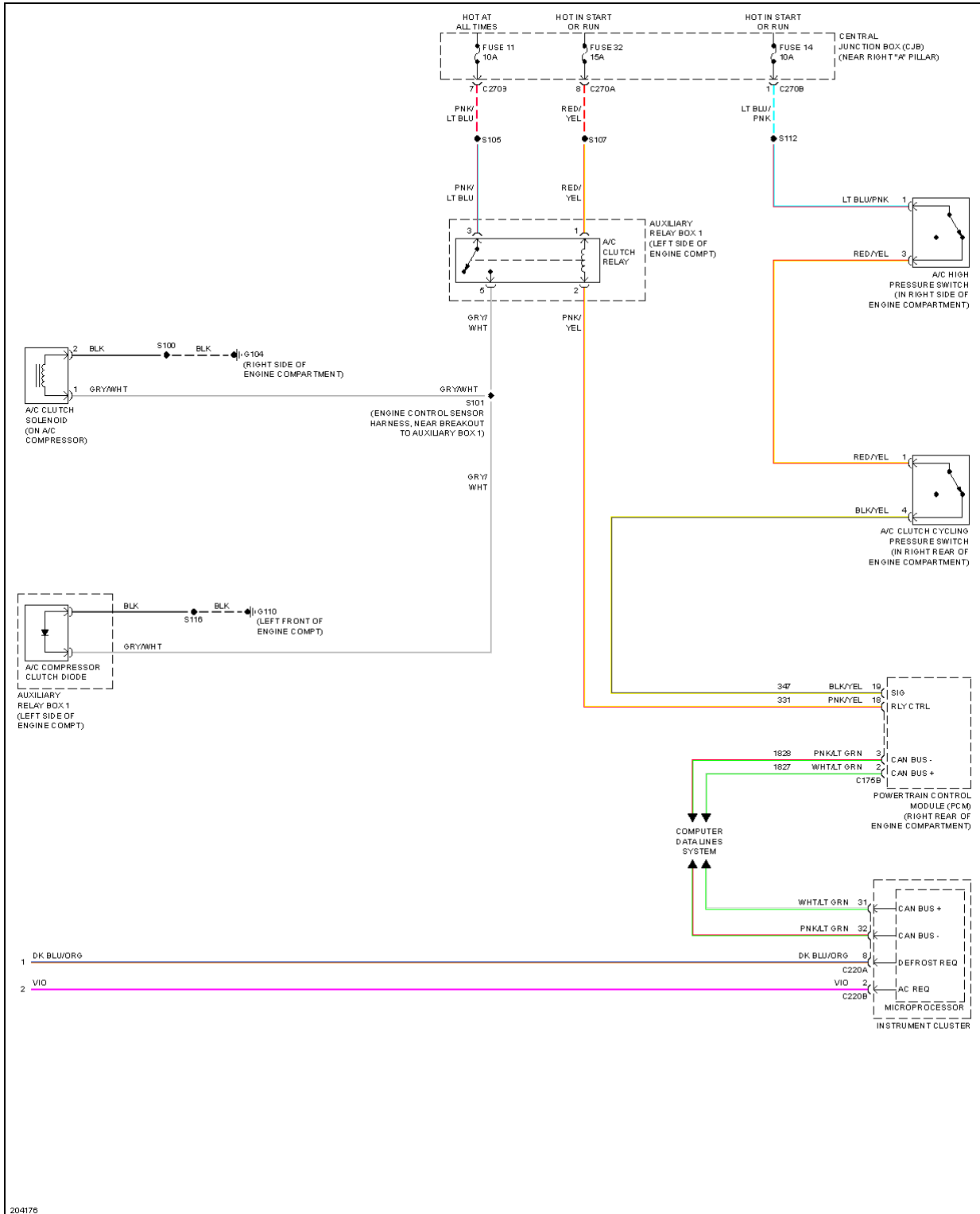
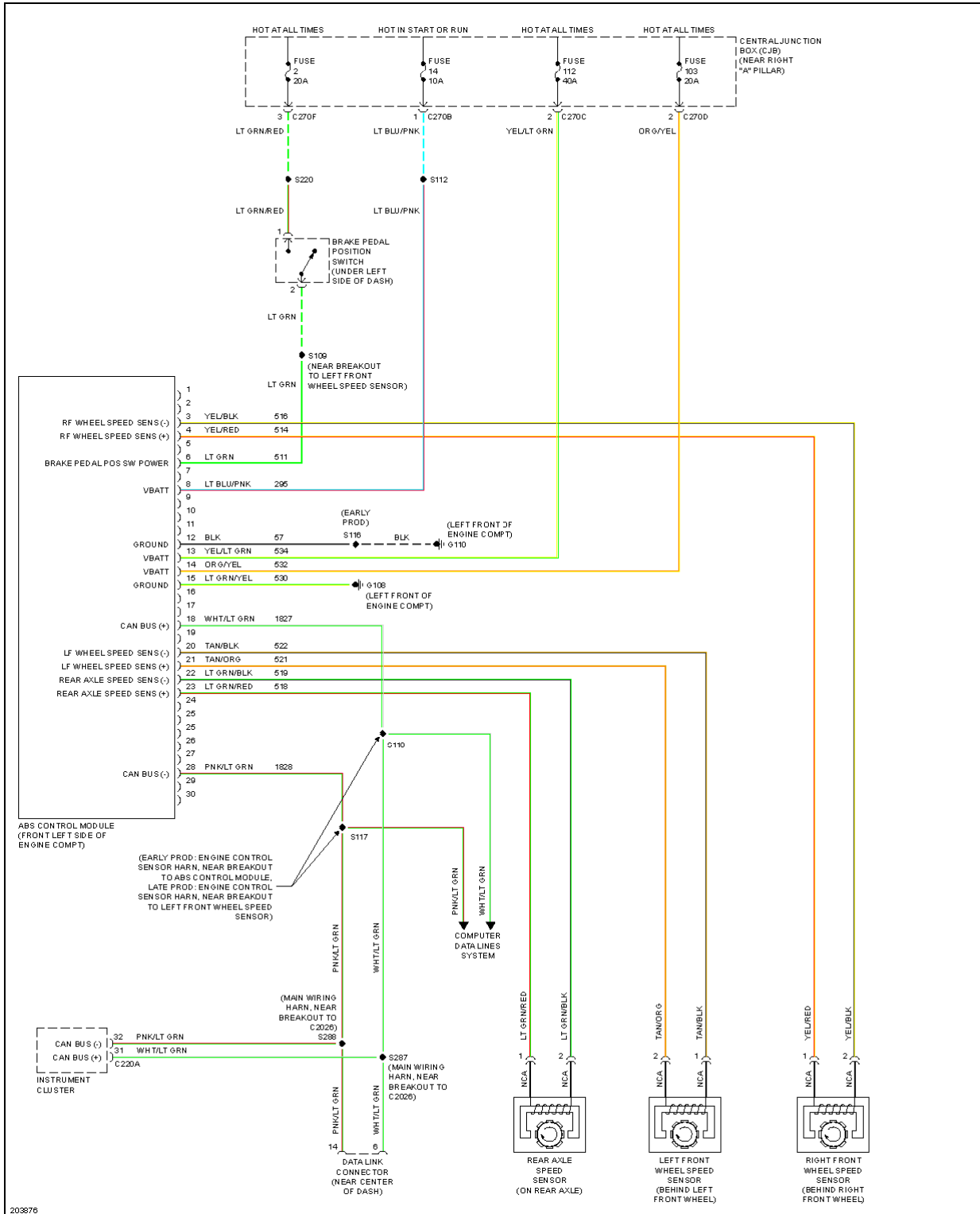


Fig. 4: Manual A/C Circuit (2 of 2)

ANTI-LOCK BRAKES

2005 Ford Pickup F150

2005 SYSTEM WIRING DIAGRAMS Ford - Pickup F150



2005 Ford Pickup F150

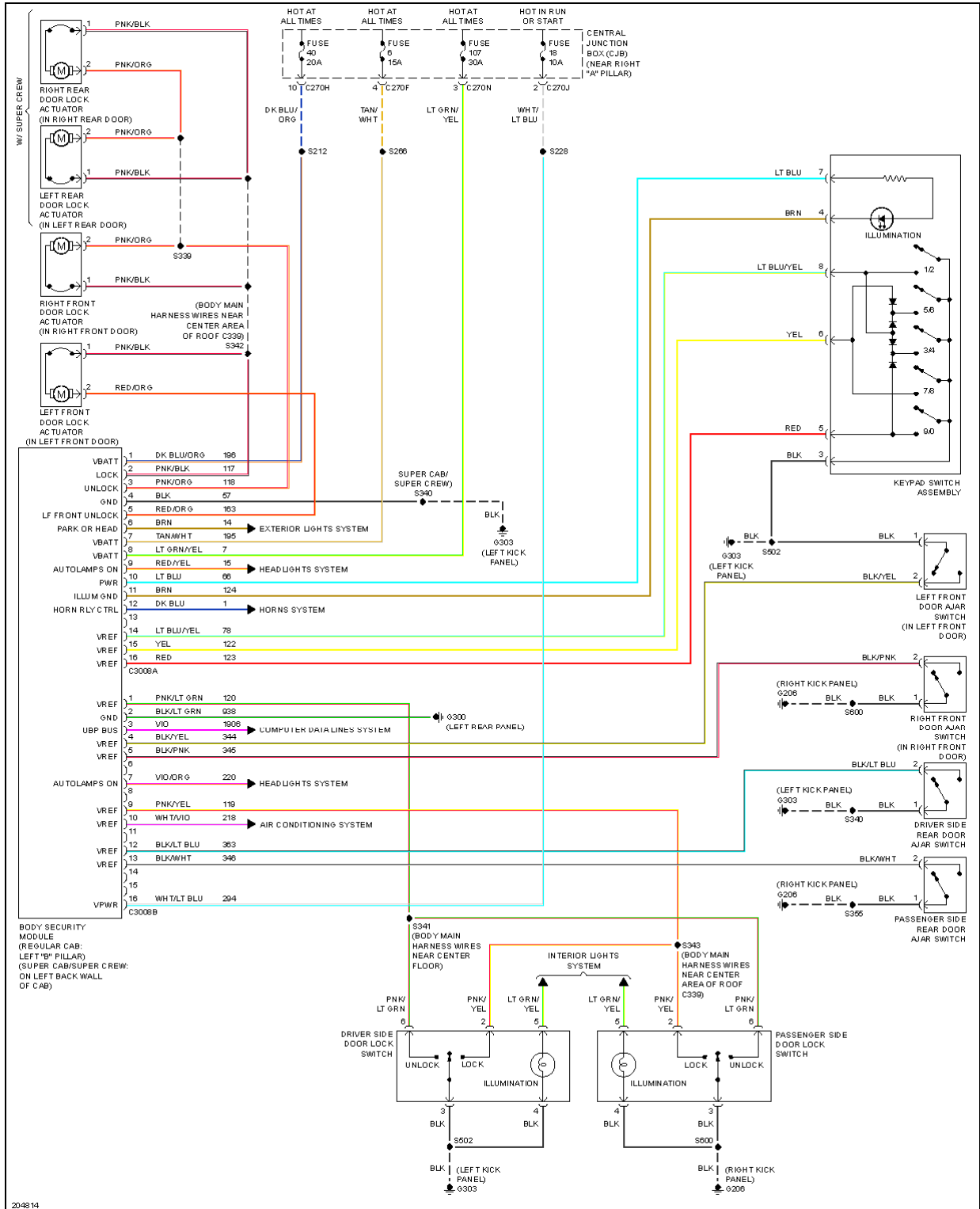
2005 SYSTEM WIRING DIAGRAMS Ford - Pickup F150

Fig. 5: Anti-lock Brakes Circuit

ANTI-THEFT

2005 Ford Pickup F150

2005 SYSTEM WIRING DIAGRAMS Ford - Pickup F150



2005 Ford Pickup F150

2005 SYSTEM WIRING DIAGRAMS Ford - Pickup F150

Fig. 6: Forced Entry Circuit

2005 Ford Pickup F150

2005 SYSTEM WIRING DIAGRAMS Ford - Pickup F150

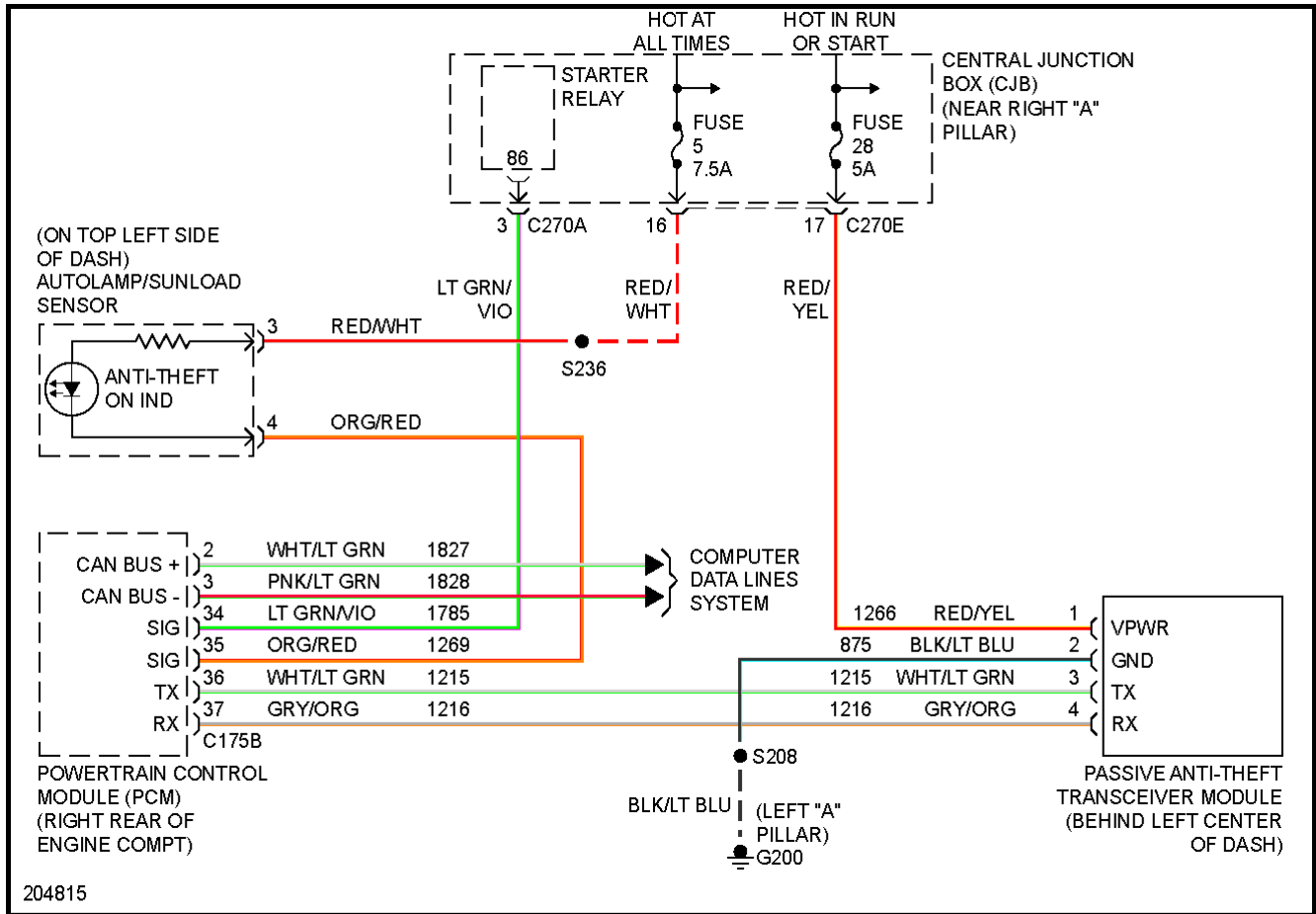


Fig. 7: Passive Anti-theft Circuit

BODY CONTROL MODULES

2005 Ford Pickup F150

2005 SYSTEM WIRING DIAGRAMS Ford - Pickup F150

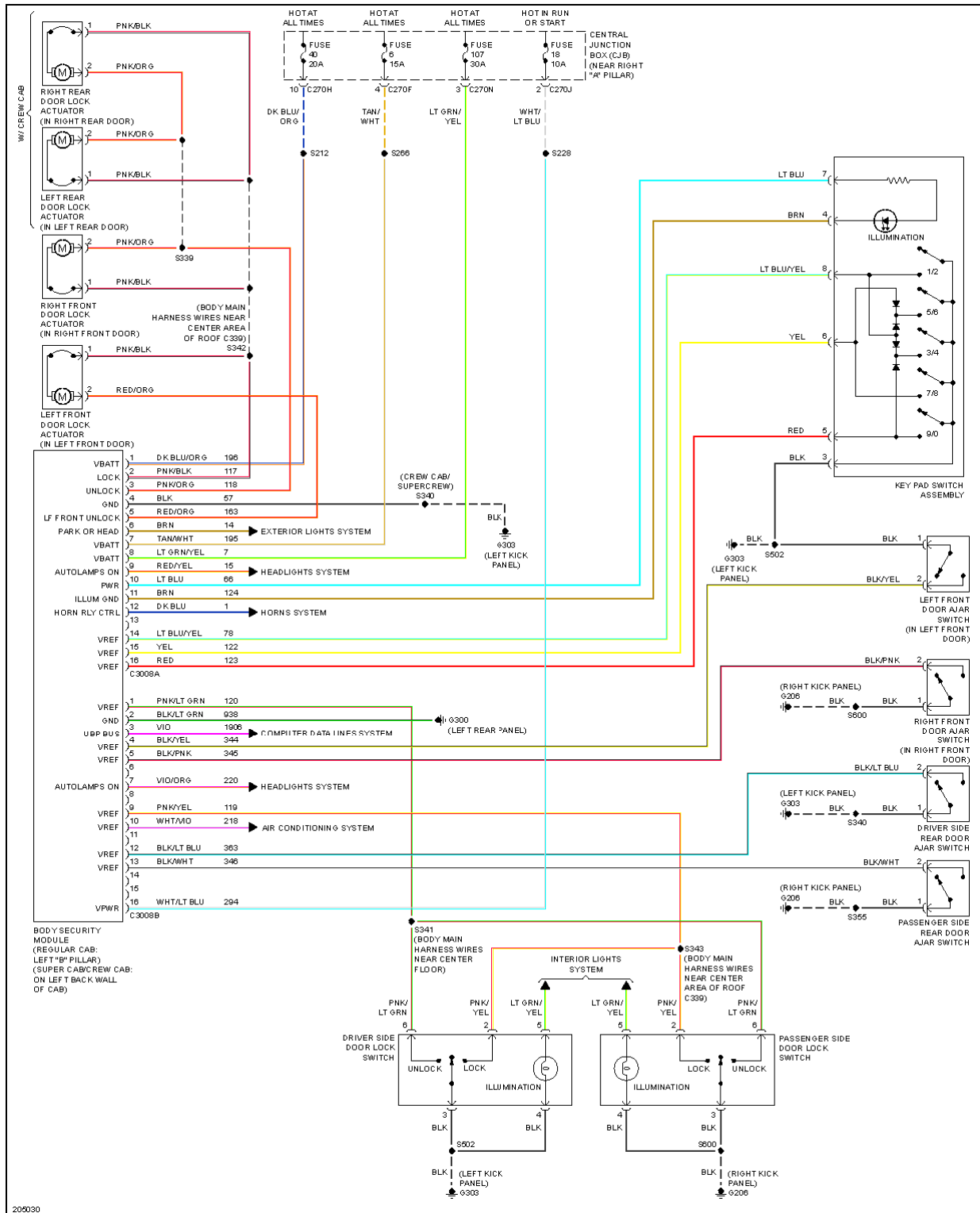


Fig. 8: Body Control Modules Circuit

COMPUTER DATA LINES

2005 Ford Pickup F150

2005 SYSTEM WIRING DIAGRAMS Ford - Pickup F150

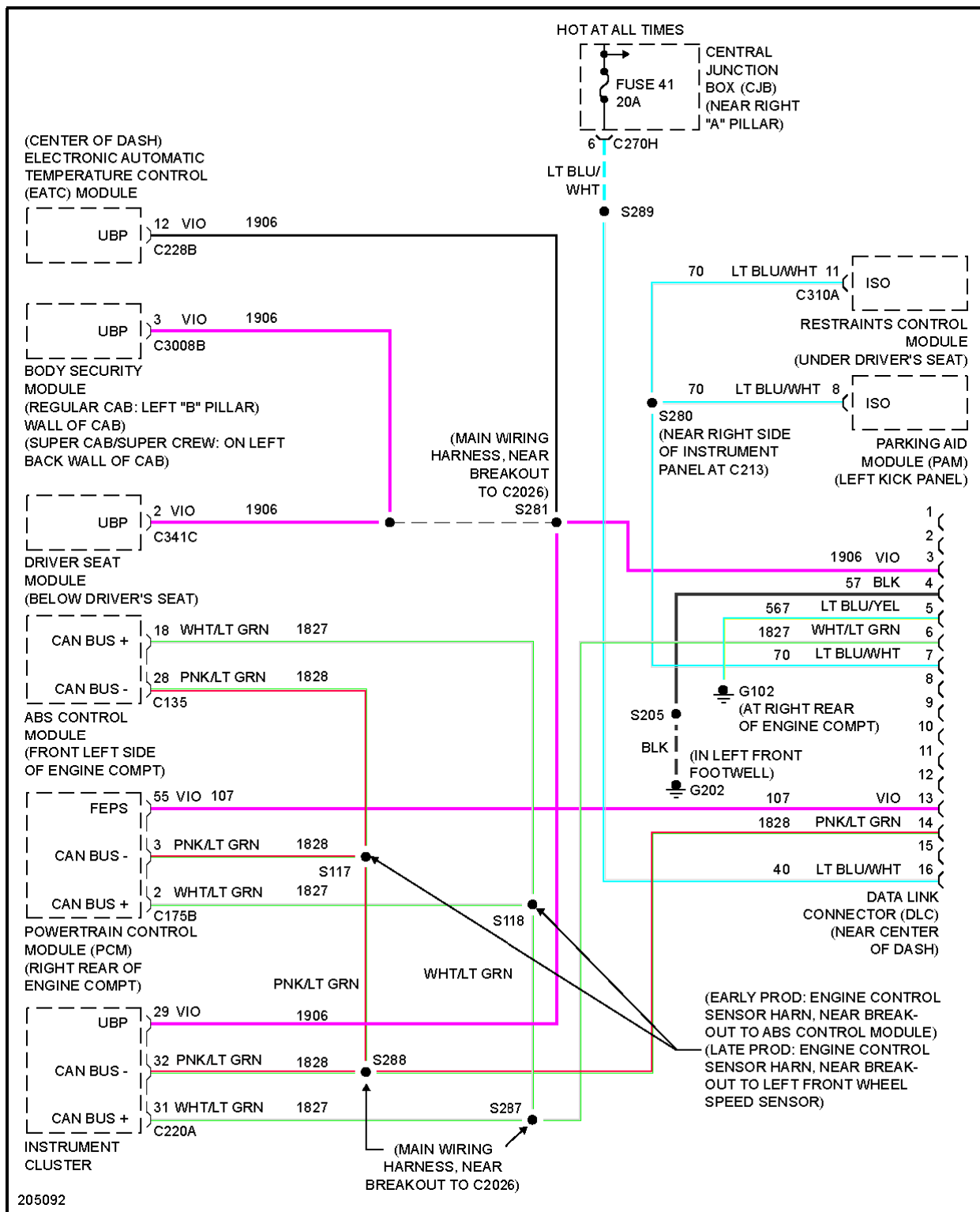


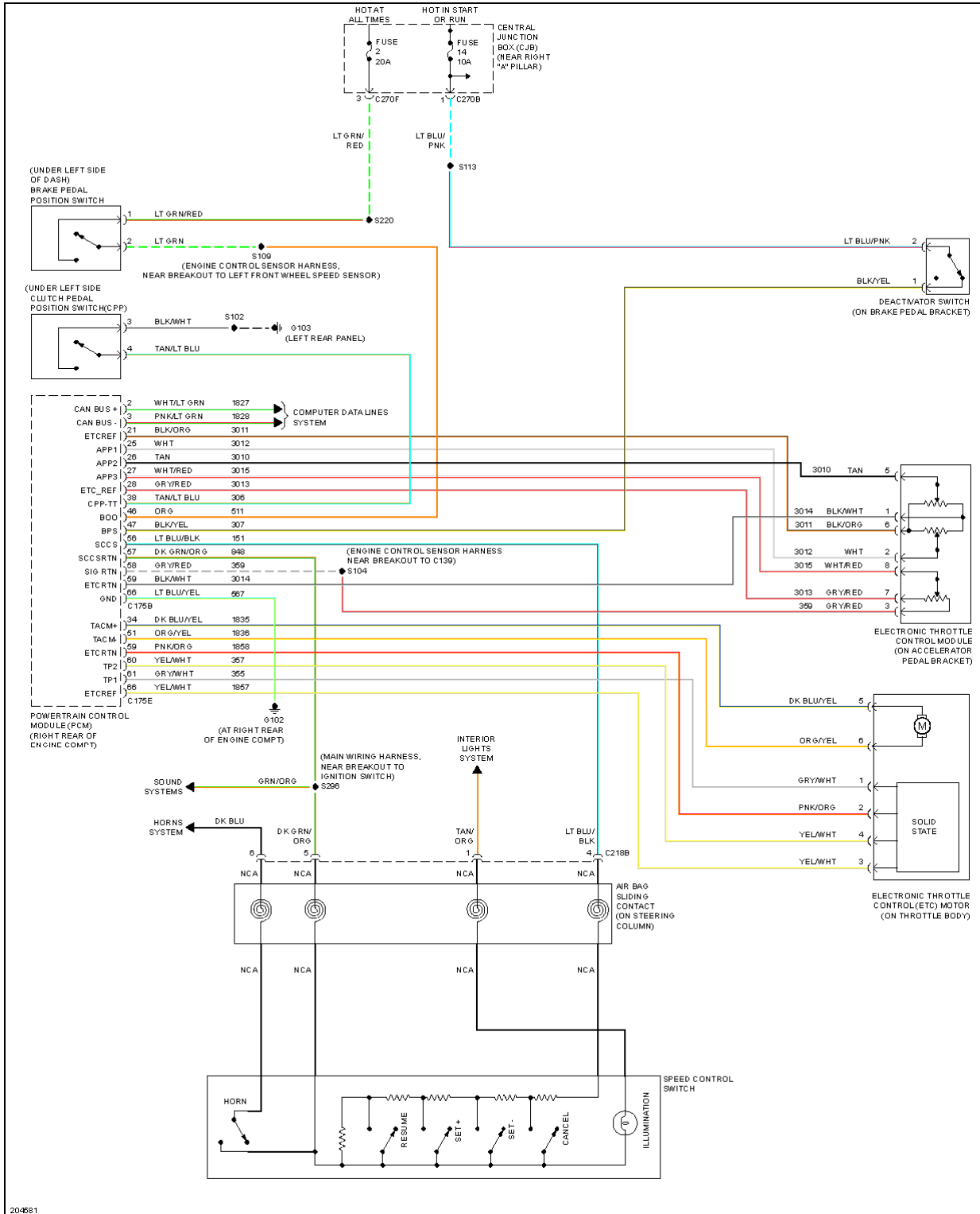
Fig. 9: Computer Data Lines Circuit

CRUISE CONTROL

4.2L

2005 Ford Pickup F150

2005 SYSTEM WIRING DIAGRAMS Ford - Pickup F150



2005 Ford Pickup F150

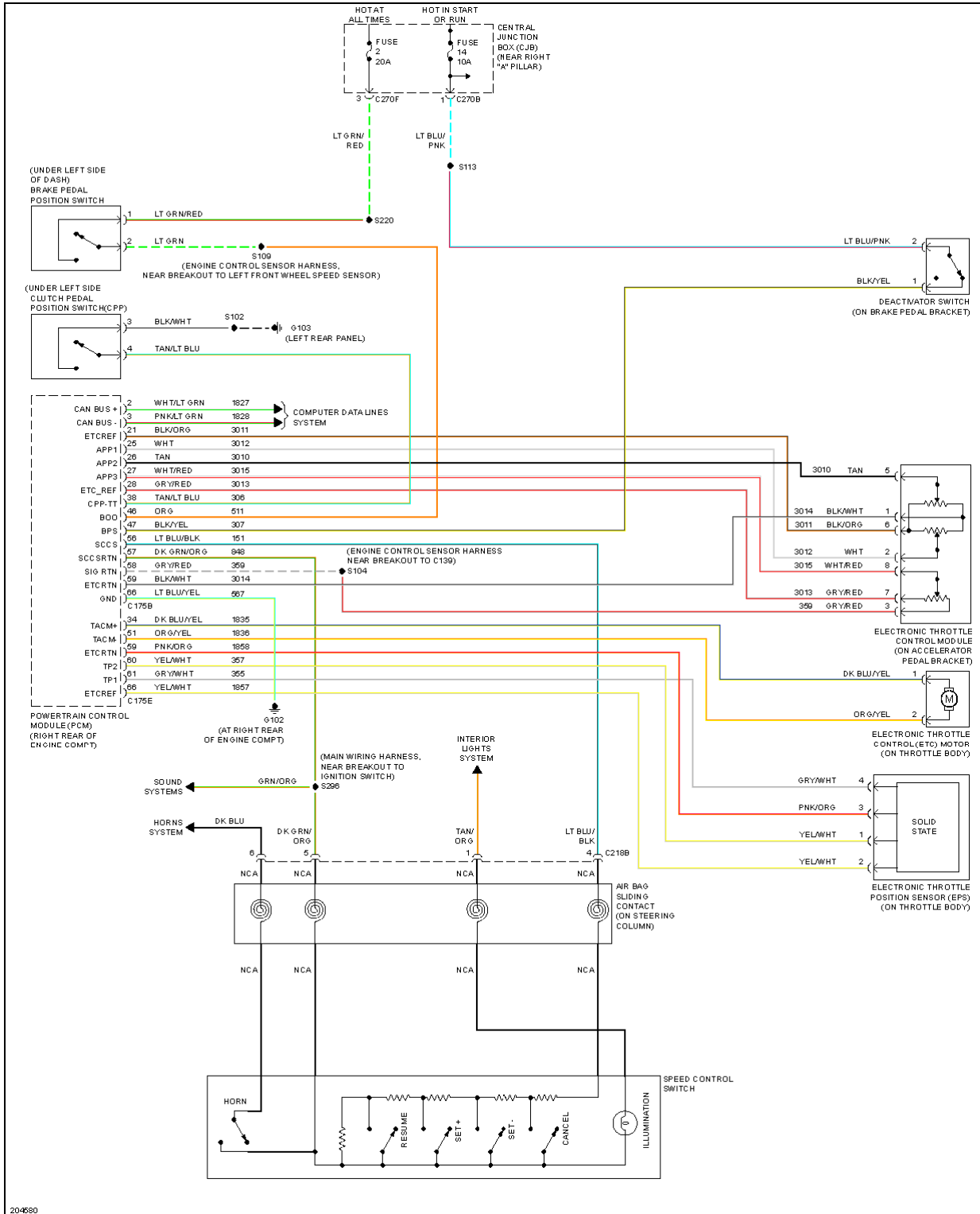
2005 SYSTEM WIRING DIAGRAMS Ford - Pickup F150

Fig. 10: 4.2L, Cruise Control Circuit

4.6L

2005 Ford Pickup F150

2005 SYSTEM WIRING DIAGRAMS Ford - Pickup F150



2005 Ford Pickup F150

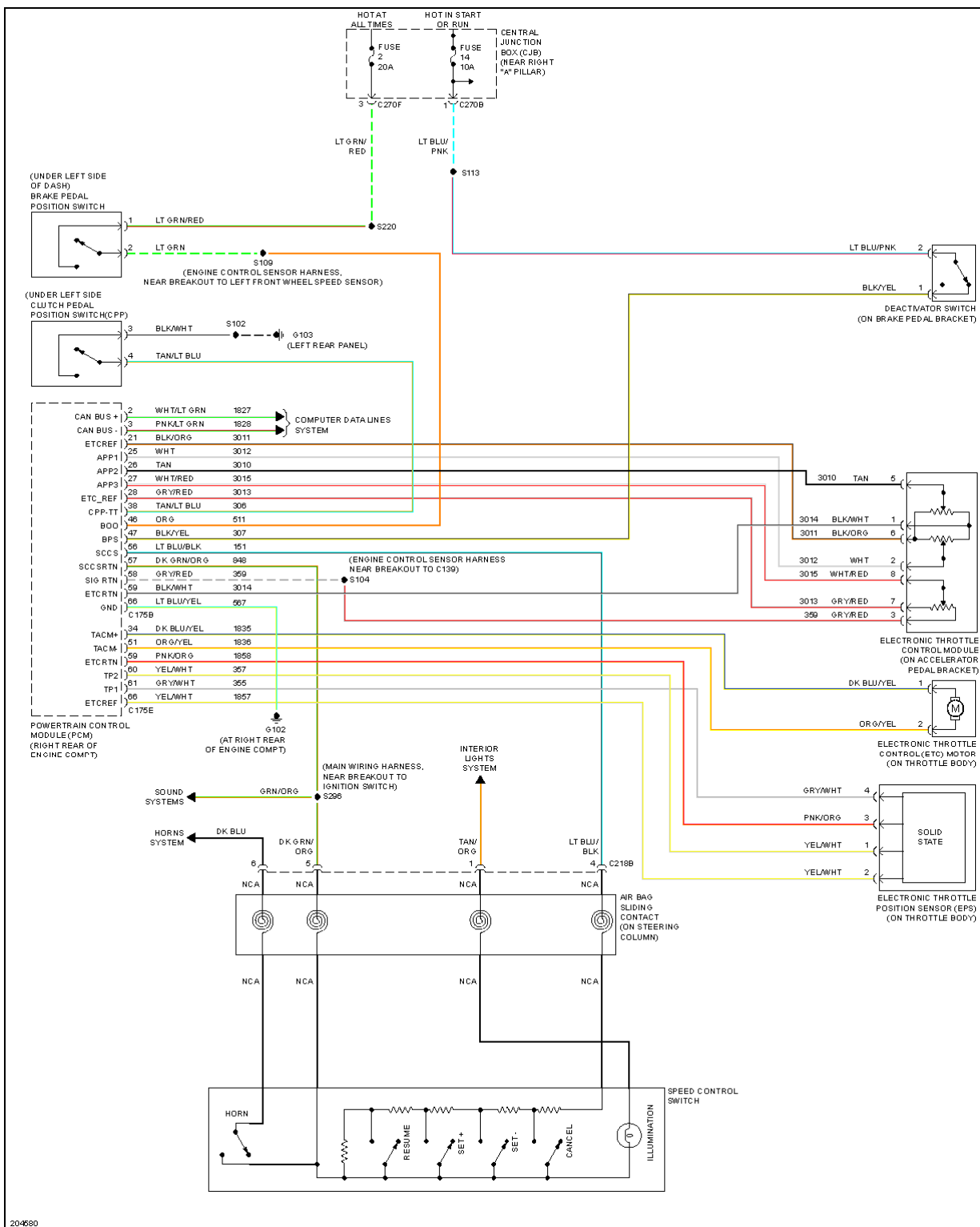
2005 SYSTEM WIRING DIAGRAMS Ford - Pickup F150

Fig. 11: 4.6L, Cruise Control Circuit

5.4L

2005 Ford Pickup F150

2005 SYSTEM WIRING DIAGRAMS Ford - Pickup F150



2005 Ford Pickup F150

2005 SYSTEM WIRING DIAGRAMS Ford - Pickup F150

Fig. 12: 5.4L, Cruise Control Circuit

DEFOGGERS

2005 Ford Pickup F150

2005 SYSTEM WIRING DIAGRAMS Ford - Pickup F150

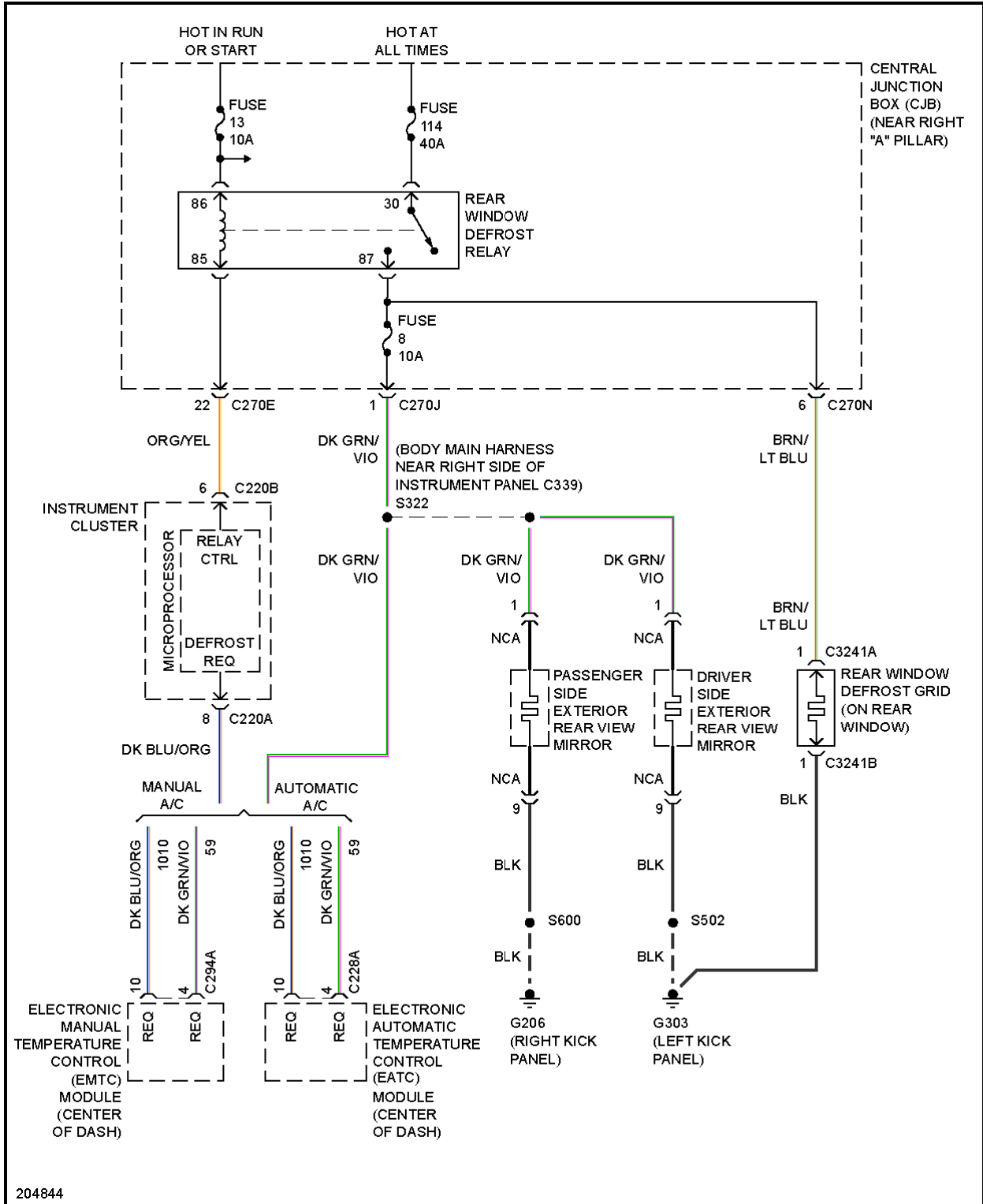


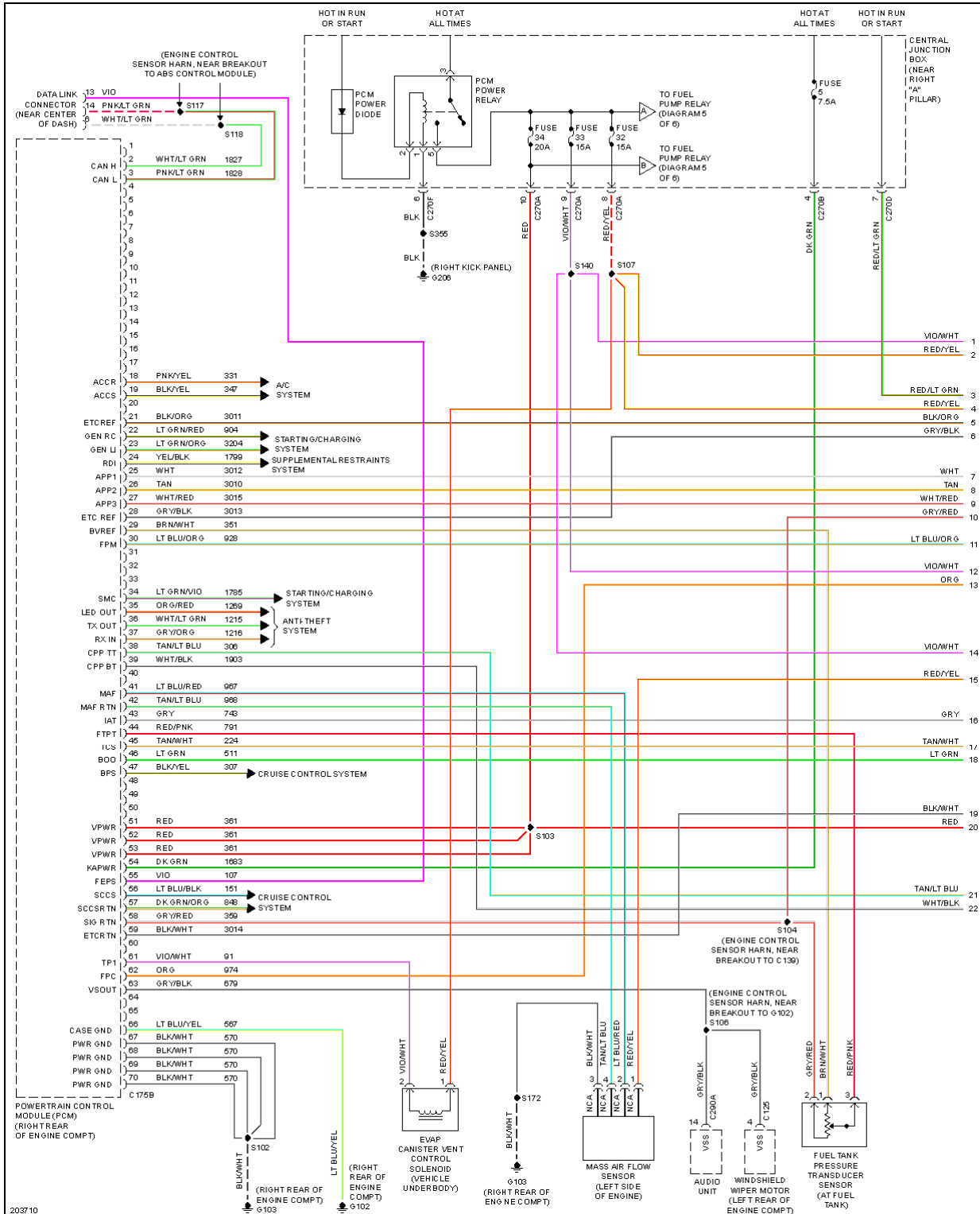
Fig. 13: Defoggers Circuit

ENGINE PERFORMANCE

4.2L

2005 Ford Pickup F150

2005 SYSTEM WIRING DIAGRAMS Ford - Pickup F150



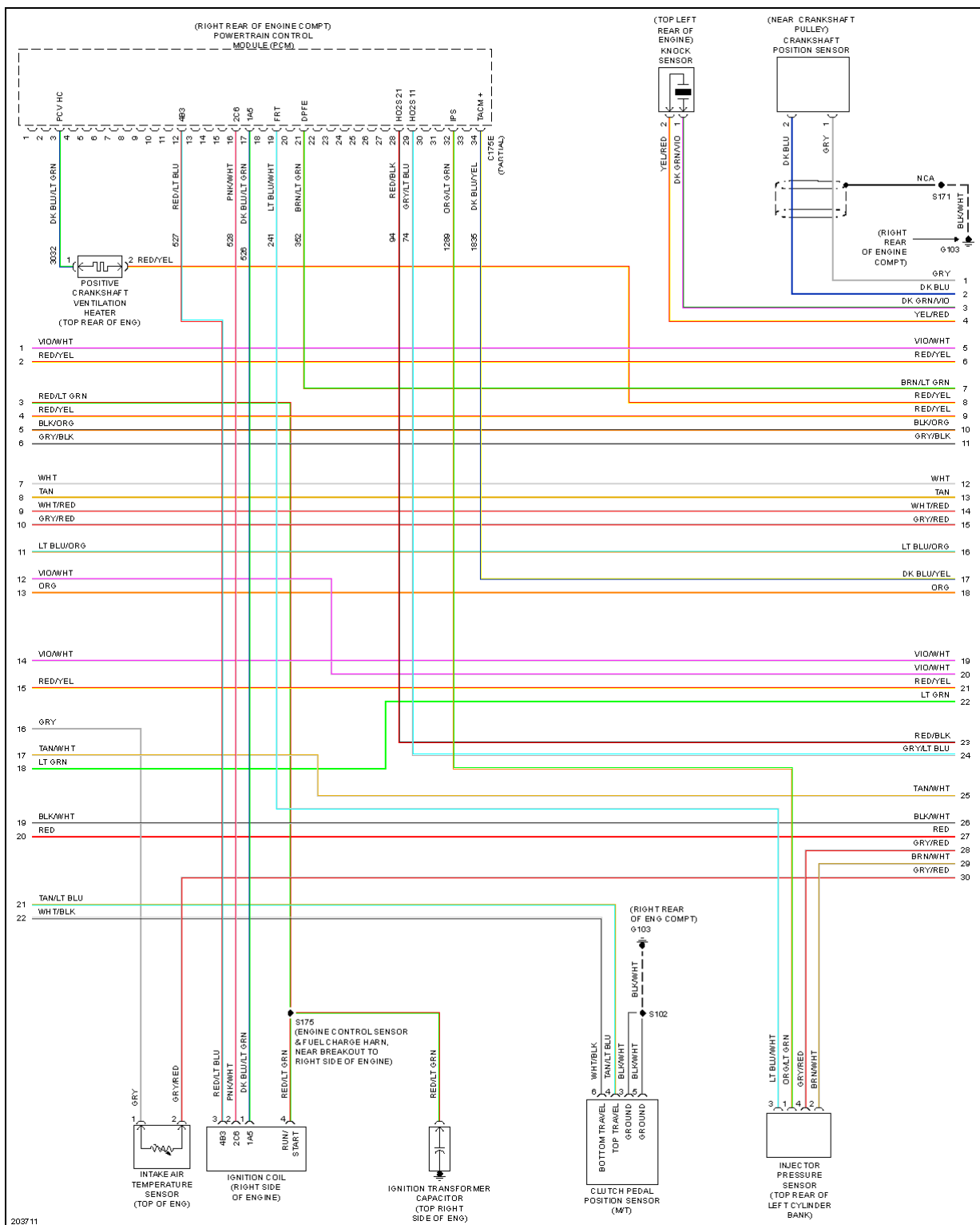
2005 Ford Pickup F150

2005 SYSTEM WIRING DIAGRAMS Ford - Pickup F150

Fig. 14: 4.2L, Engine Performance Circuit, Early Production (1 of 6)

2005 Ford Pickup F150

2005 SYSTEM WIRING DIAGRAMS Ford - Pickup F150



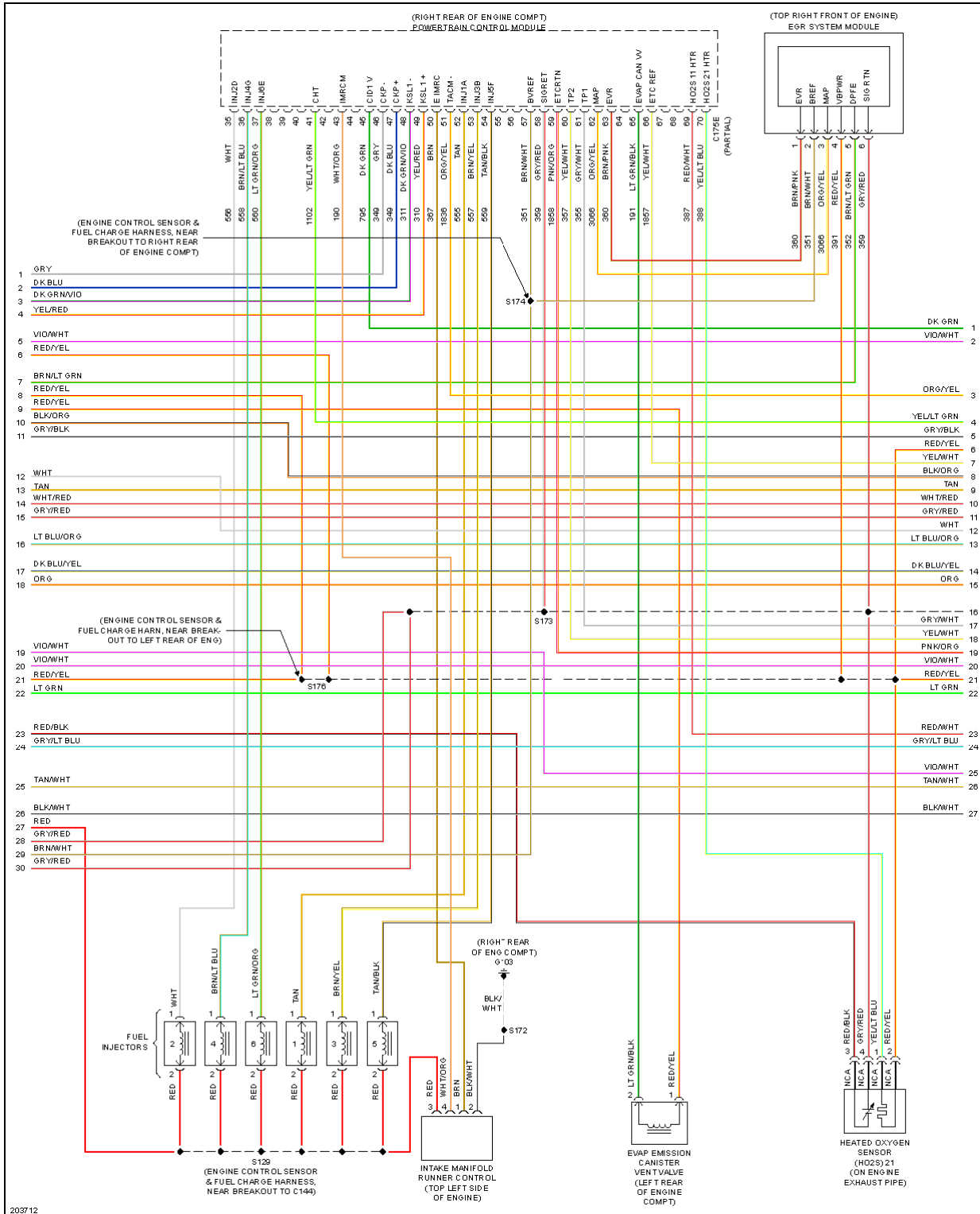
2005 Ford Pickup F150

2005 SYSTEM WIRING DIAGRAMS Ford - Pickup F150

Fig. 15: 4.2L, Engine Performance Circuit, Early Production (2 of 6)

2005 Ford Pickup F150

2005 SYSTEM WIRING DIAGRAMS Ford - Pickup F150



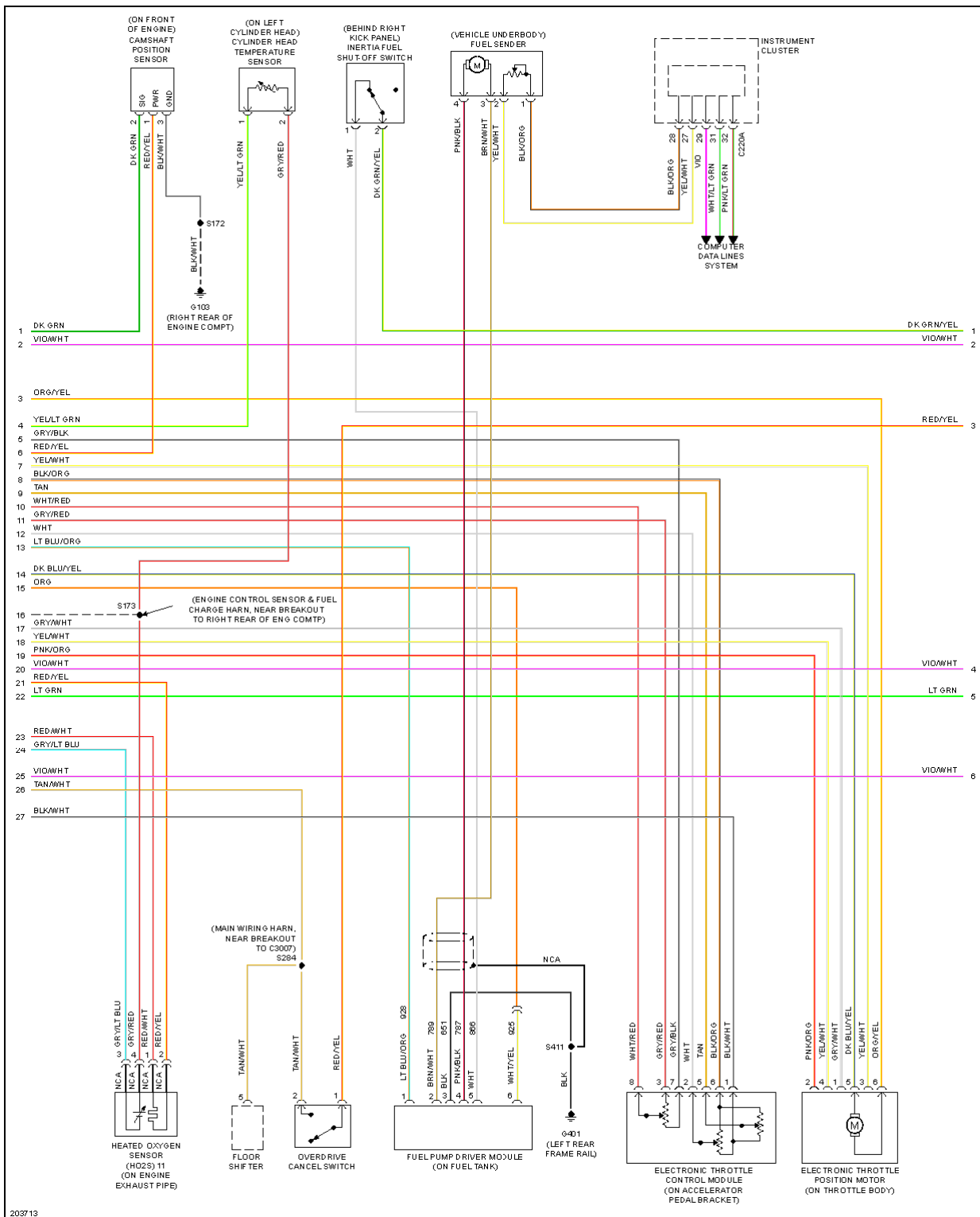
2005 Ford Pickup F150

2005 SYSTEM WIRING DIAGRAMS Ford - Pickup F150

Fig. 16: 4.2L, Engine Performance Circuit, Early Production (3 of 6)

2005 Ford Pickup F150

2005 SYSTEM WIRING DIAGRAMS Ford - Pickup F150



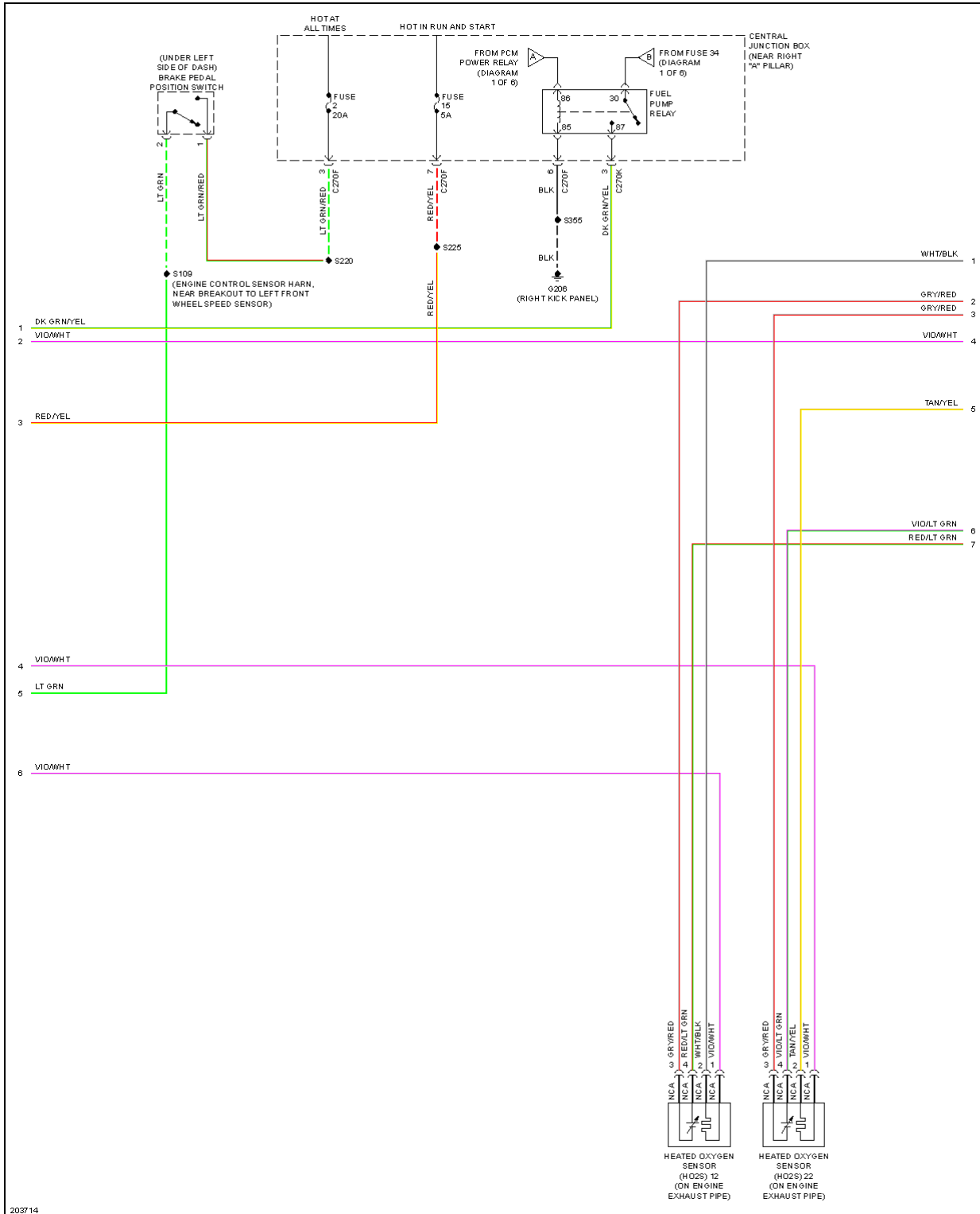
2005 Ford Pickup F150

2005 SYSTEM WIRING DIAGRAMS Ford - Pickup F150

Fig. 17: 4.2L, Engine Performance Circuit, Early Production (4 of 6)

2005 Ford Pickup F150

2005 SYSTEM WIRING DIAGRAMS Ford - Pickup F150



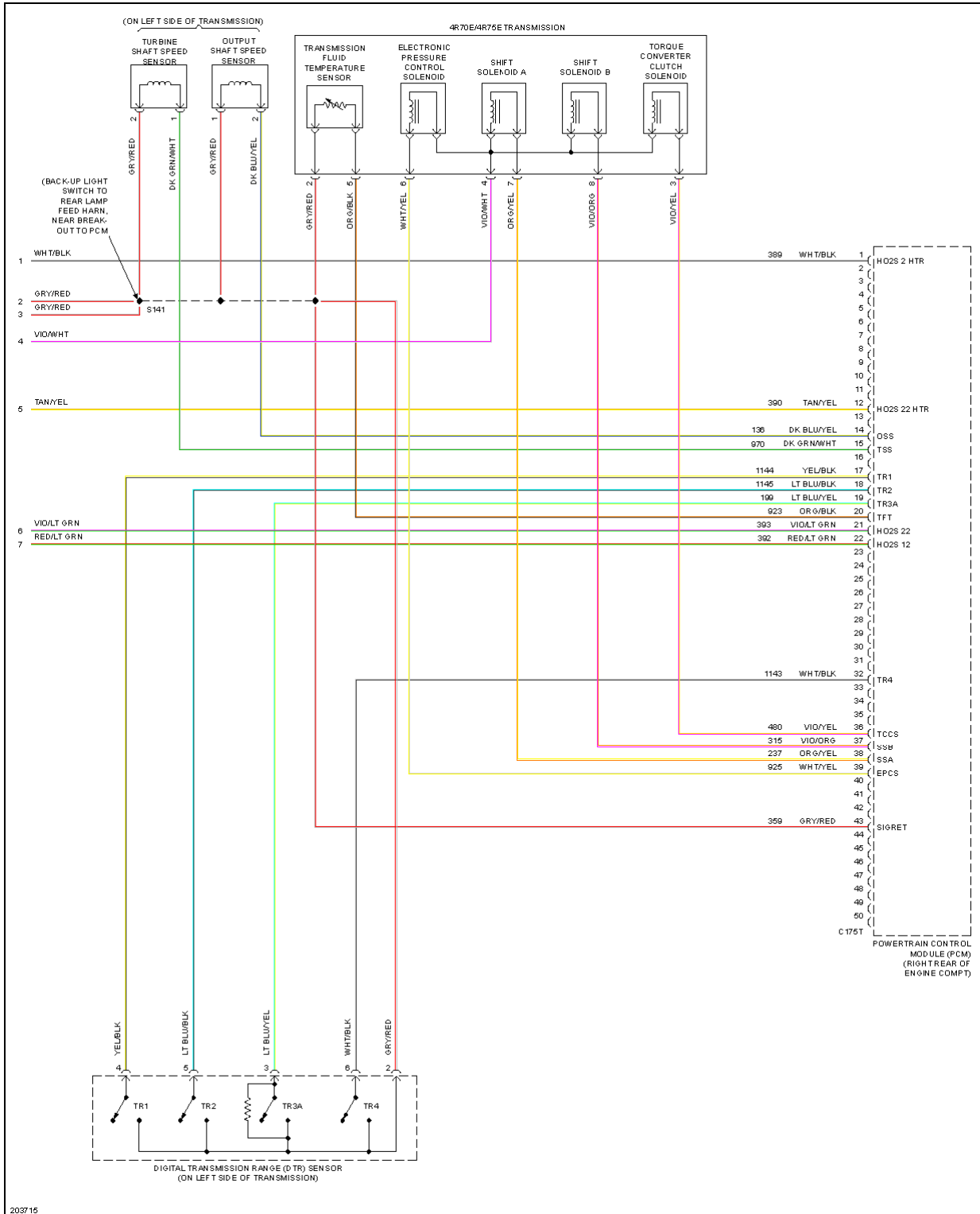
2005 Ford Pickup F150

2005 SYSTEM WIRING DIAGRAMS Ford - Pickup F150

Fig. 18: 4.2L, Engine Performance Circuit, Early Production (5 of 6)

2005 Ford Pickup F150

2005 SYSTEM WIRING DIAGRAMS Ford - Pickup F150



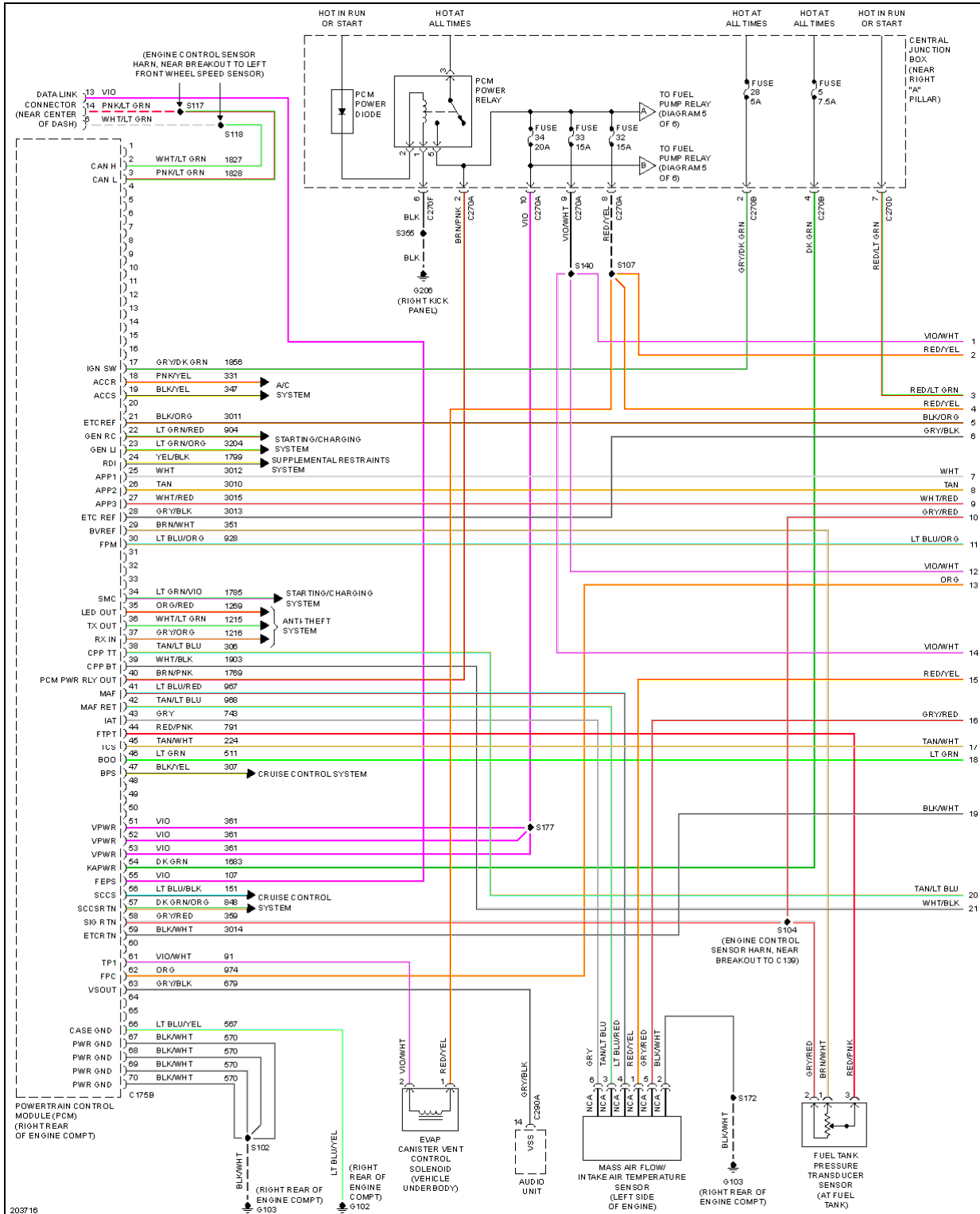
2005 Ford Pickup F150

2005 SYSTEM WIRING DIAGRAMS Ford - Pickup F150

Fig. 19: 4.2L, Engine Performance Circuit, Early Production (6 of 6)

2005 Ford Pickup F150

2005 SYSTEM WIRING DIAGRAMS Ford - Pickup F150



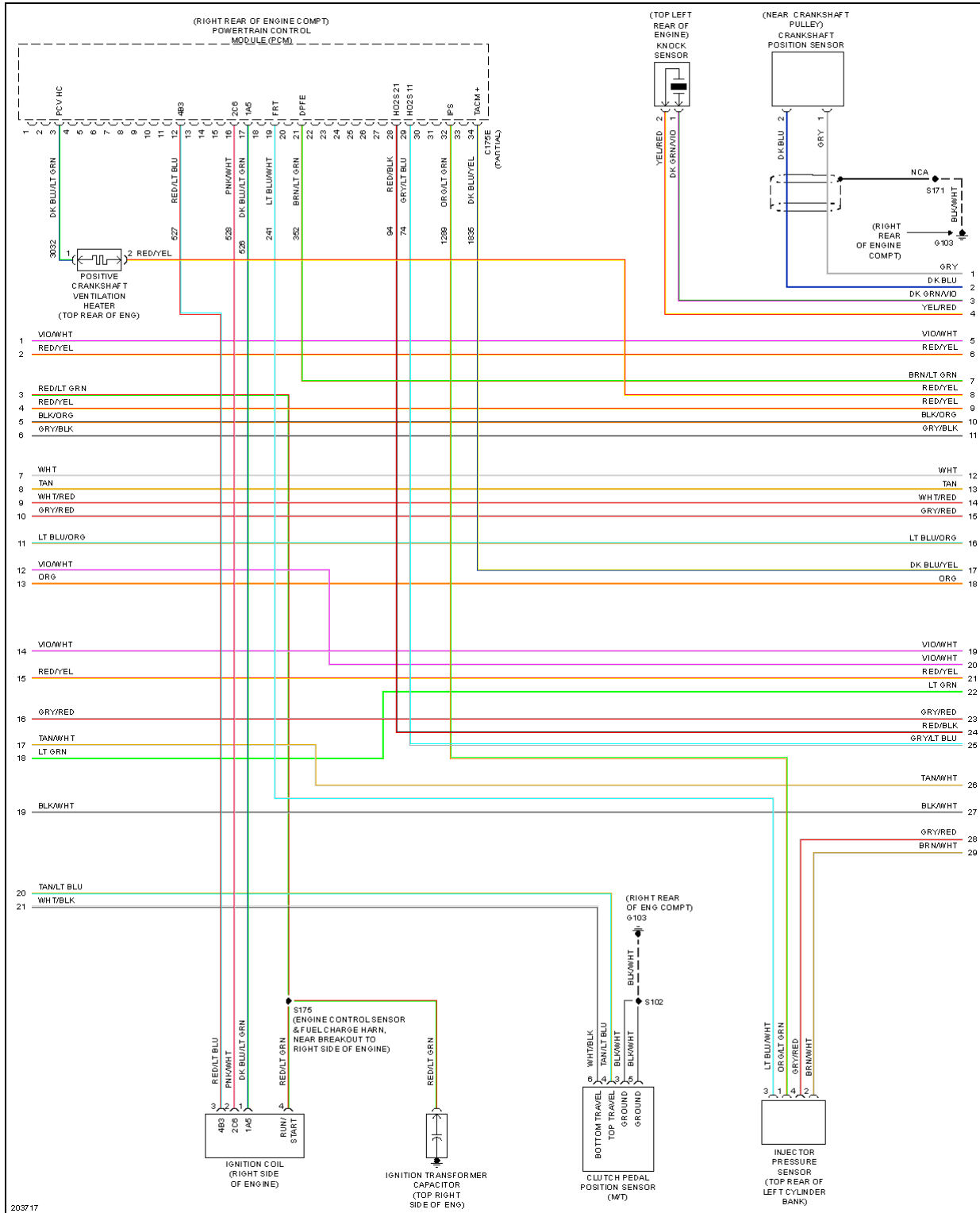
2005 Ford Pickup F150

2005 SYSTEM WIRING DIAGRAMS Ford - Pickup F150

Fig. 20: 4.2L, Engine Performance Circuit, Late Production (1 of 6)

2005 Ford Pickup F150

2005 SYSTEM WIRING DIAGRAMS Ford - Pickup F150



2005 Ford Pickup F150

2005 SYSTEM WIRING DIAGRAMS Ford - Pickup F150

Fig. 21: 4.2L, Engine Performance Circuit, Late Production (2 of 6)

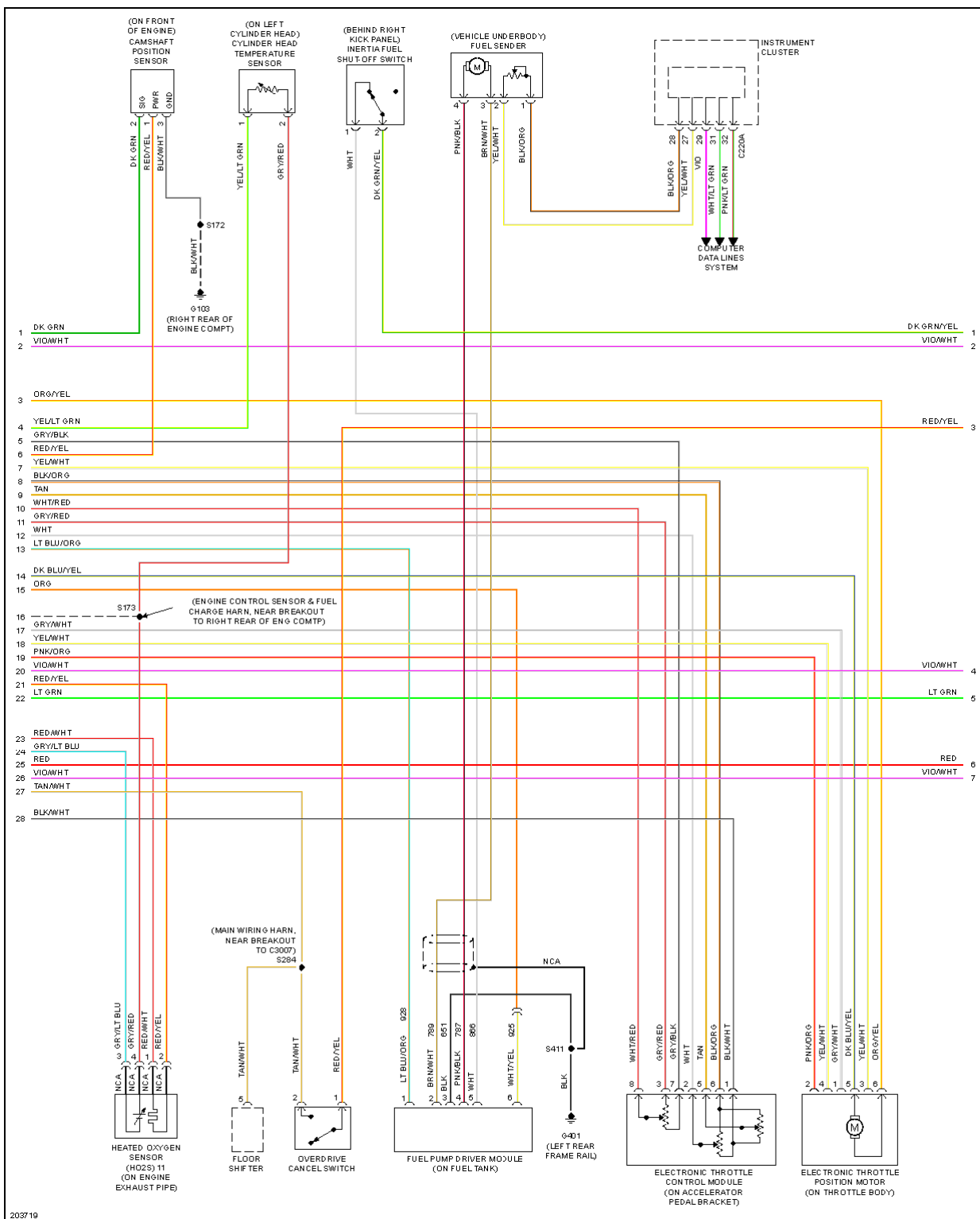
2005 Ford Pickup F150

2005 SYSTEM WIRING DIAGRAMS Ford - Pickup F150

Fig. 22: 4.2L, Engine Performance Circuit, Late Production (3 of 6)

2005 Ford Pickup F150

2005 SYSTEM WIRING DIAGRAMS Ford - Pickup F150



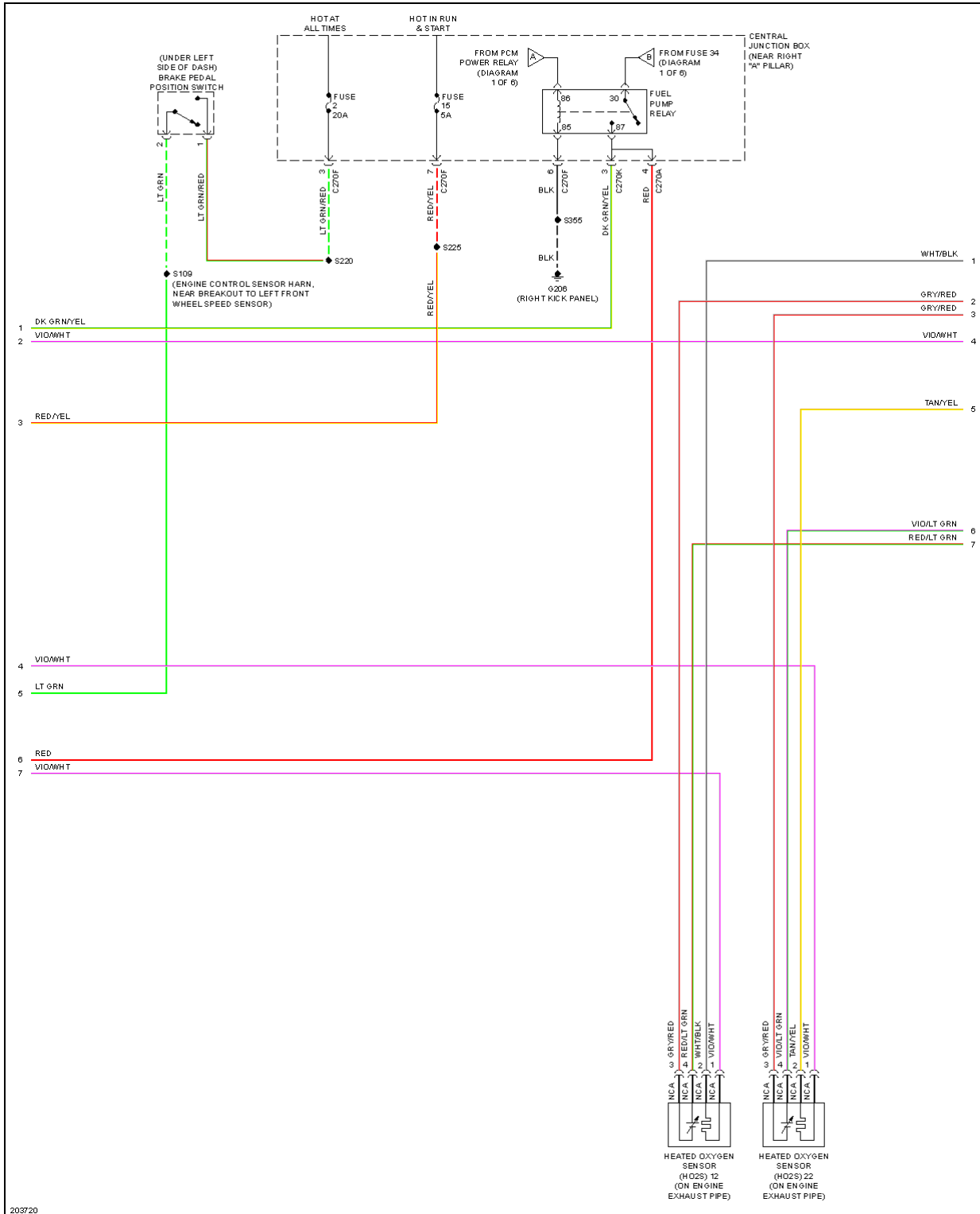
2005 Ford Pickup F150

2005 SYSTEM WIRING DIAGRAMS Ford - Pickup F150

Fig. 23: 4.2L, Engine Performance Circuit, Late Production (4 of 6)

2005 Ford Pickup F150

2005 SYSTEM WIRING DIAGRAMS Ford - Pickup F150



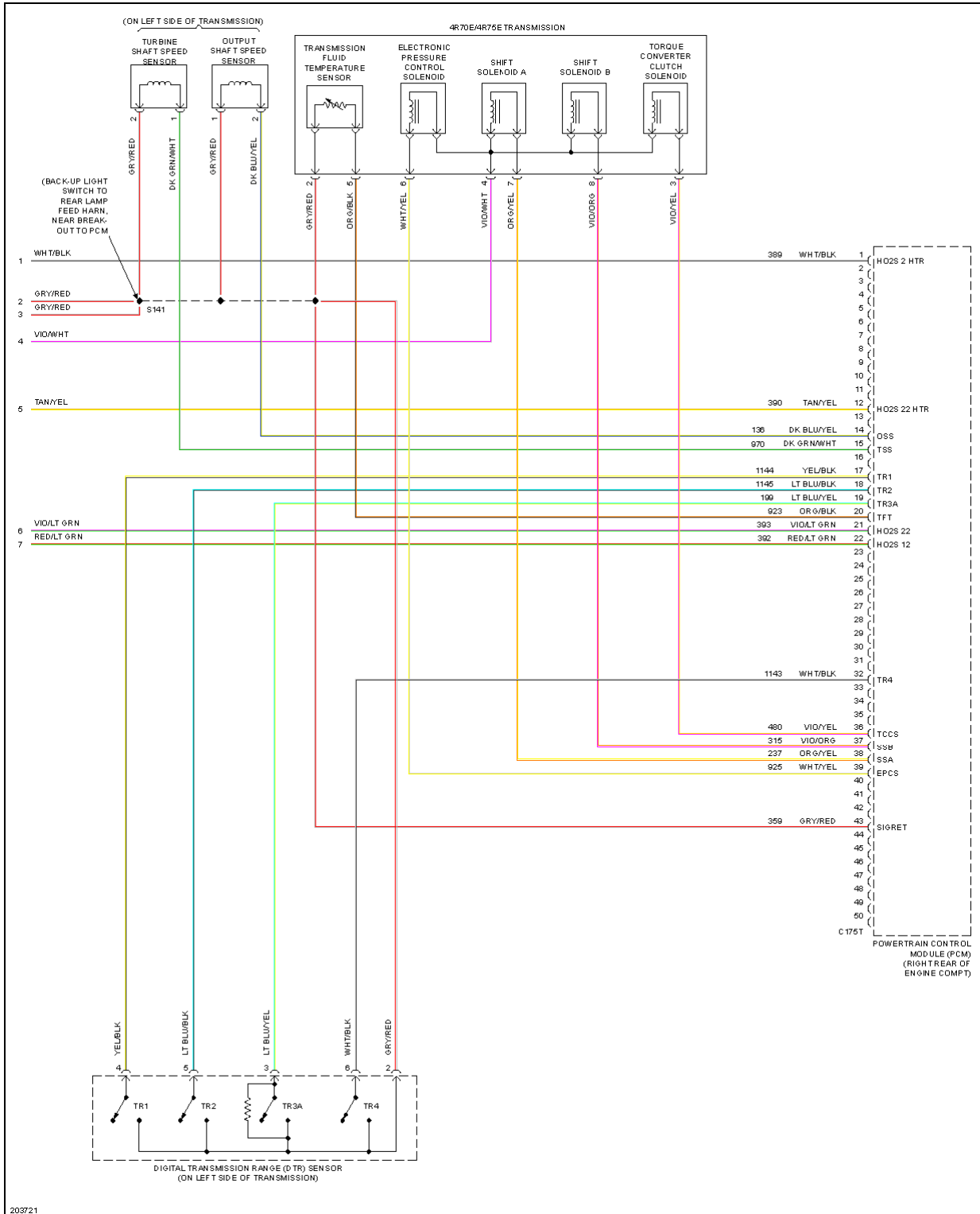
2005 Ford Pickup F150

2005 SYSTEM WIRING DIAGRAMS Ford - Pickup F150

Fig. 24: 4.2L, Engine Performance Circuit, Late Production (5 of 6)

2005 Ford Pickup F150

2005 SYSTEM WIRING DIAGRAMS Ford - Pickup F150



2005 Ford Pickup F150

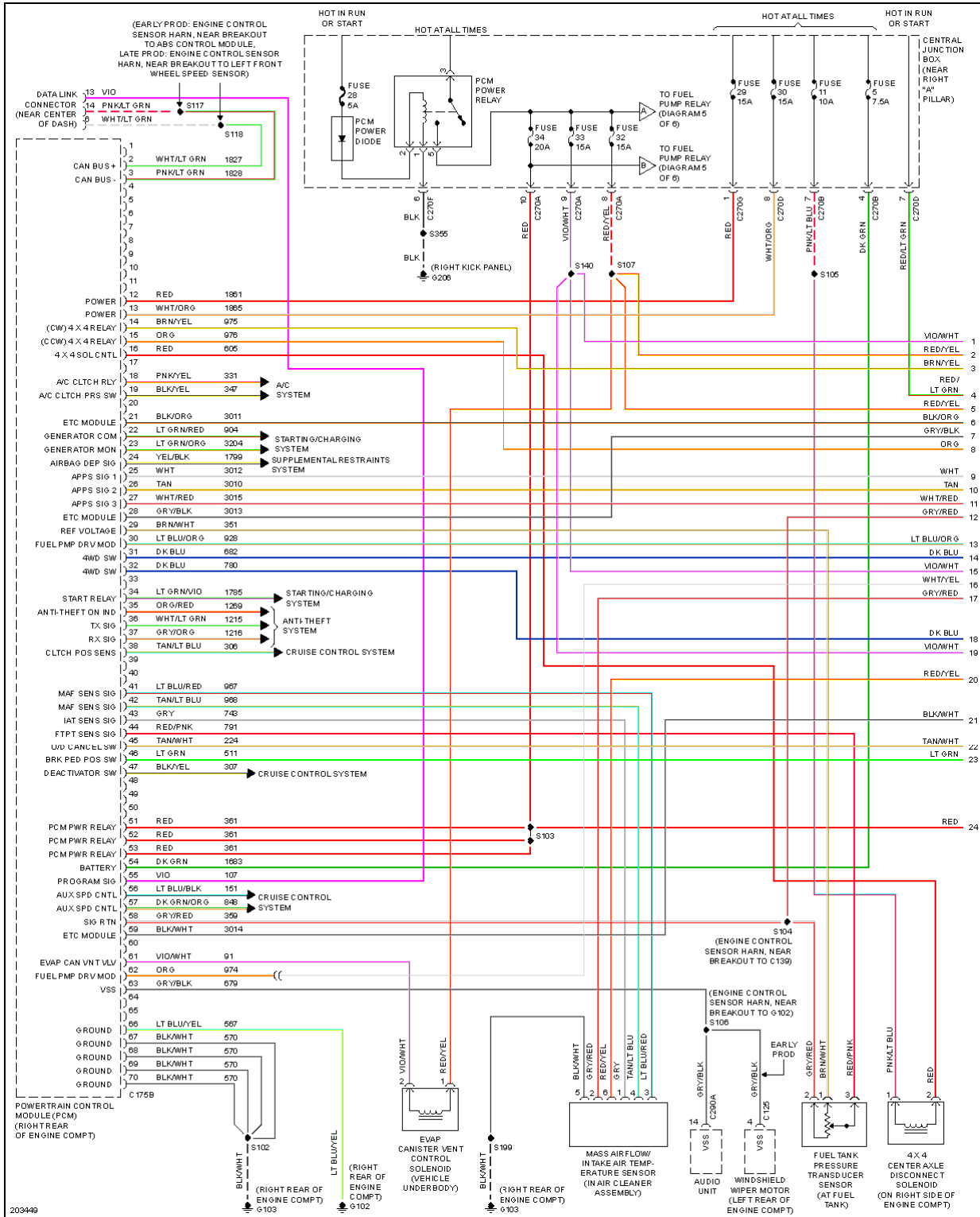
2005 SYSTEM WIRING DIAGRAMS Ford - Pickup F150

Fig. 25: 4.2L, Engine Performance Circuit, Late Production (6 of 6)

4.6L

2005 Ford Pickup F150

2005 SYSTEM WIRING DIAGRAMS Ford - Pickup F150



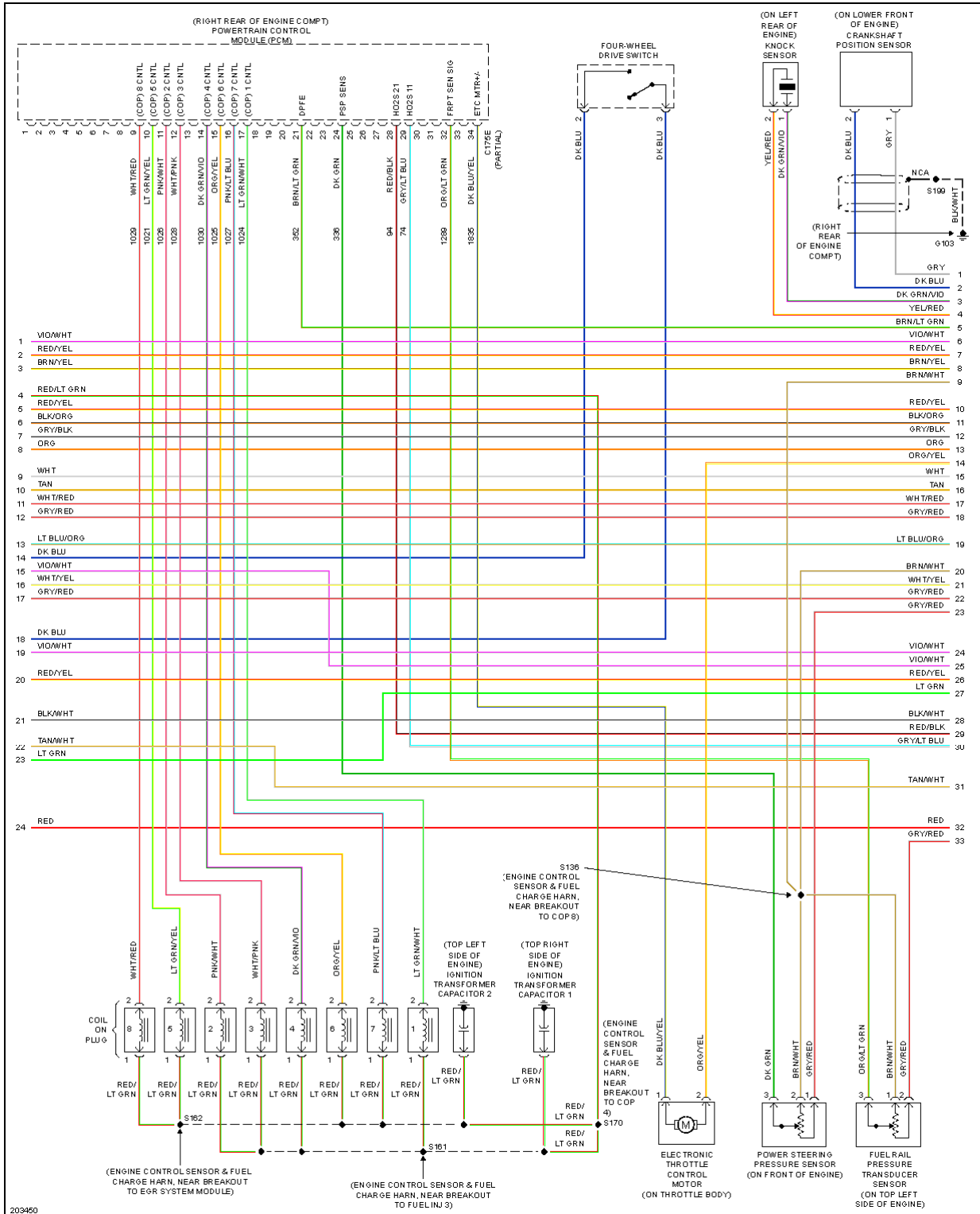
2005 Ford Pickup F150

2005 SYSTEM WIRING DIAGRAMS Ford - Pickup F150

Fig. 26: 4.6L, Engine Performance Circuit (1 of 6)

2005 Ford Pickup F150

2005 SYSTEM WIRING DIAGRAMS Ford - Pickup F150



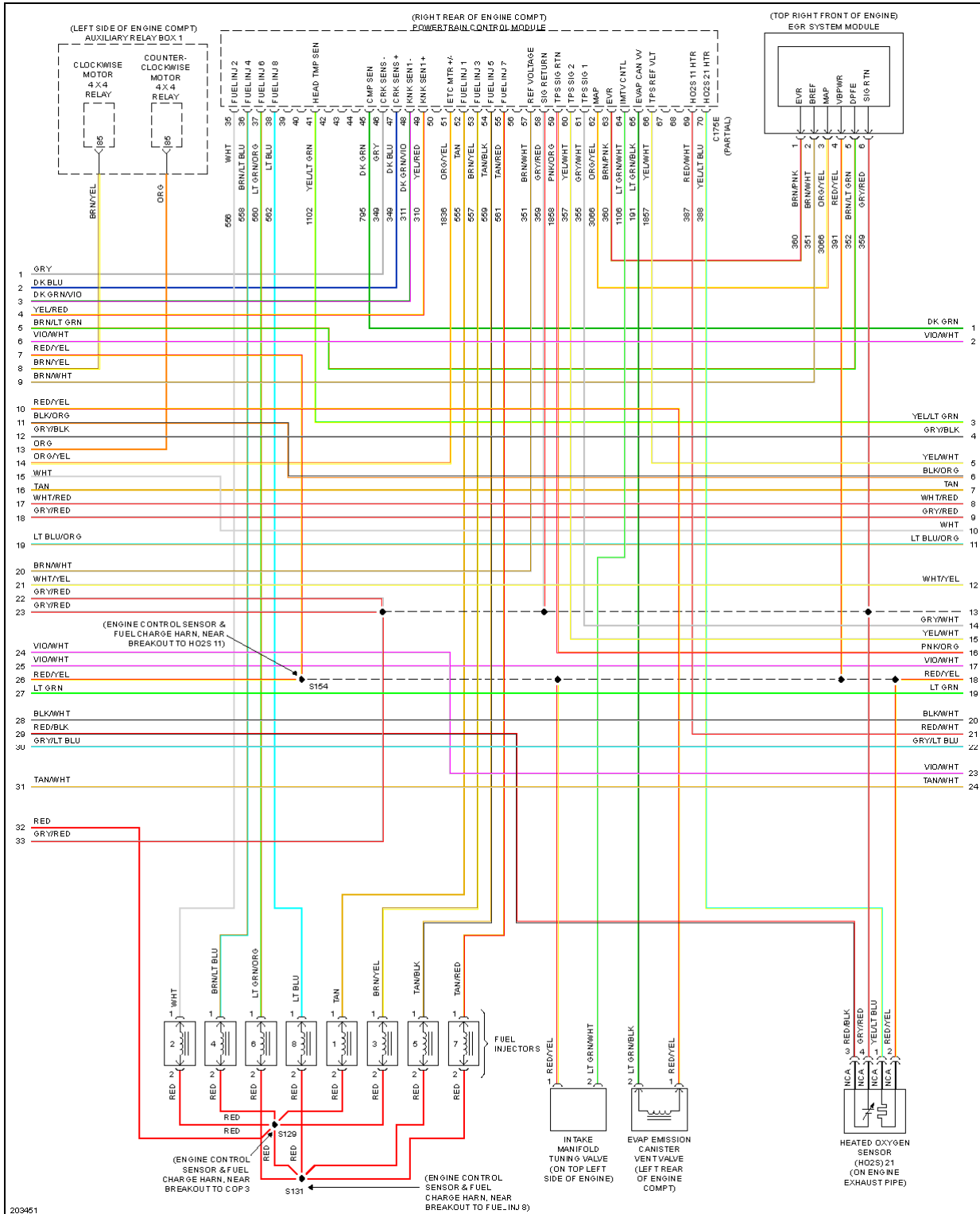
2005 Ford Pickup F150

2005 SYSTEM WIRING DIAGRAMS Ford - Pickup F150

Fig. 27: 4.6L, Engine Performance Circuit (2 of 6)

2005 Ford Pickup F150

2005 SYSTEM WIRING DIAGRAMS Ford - Pickup F150



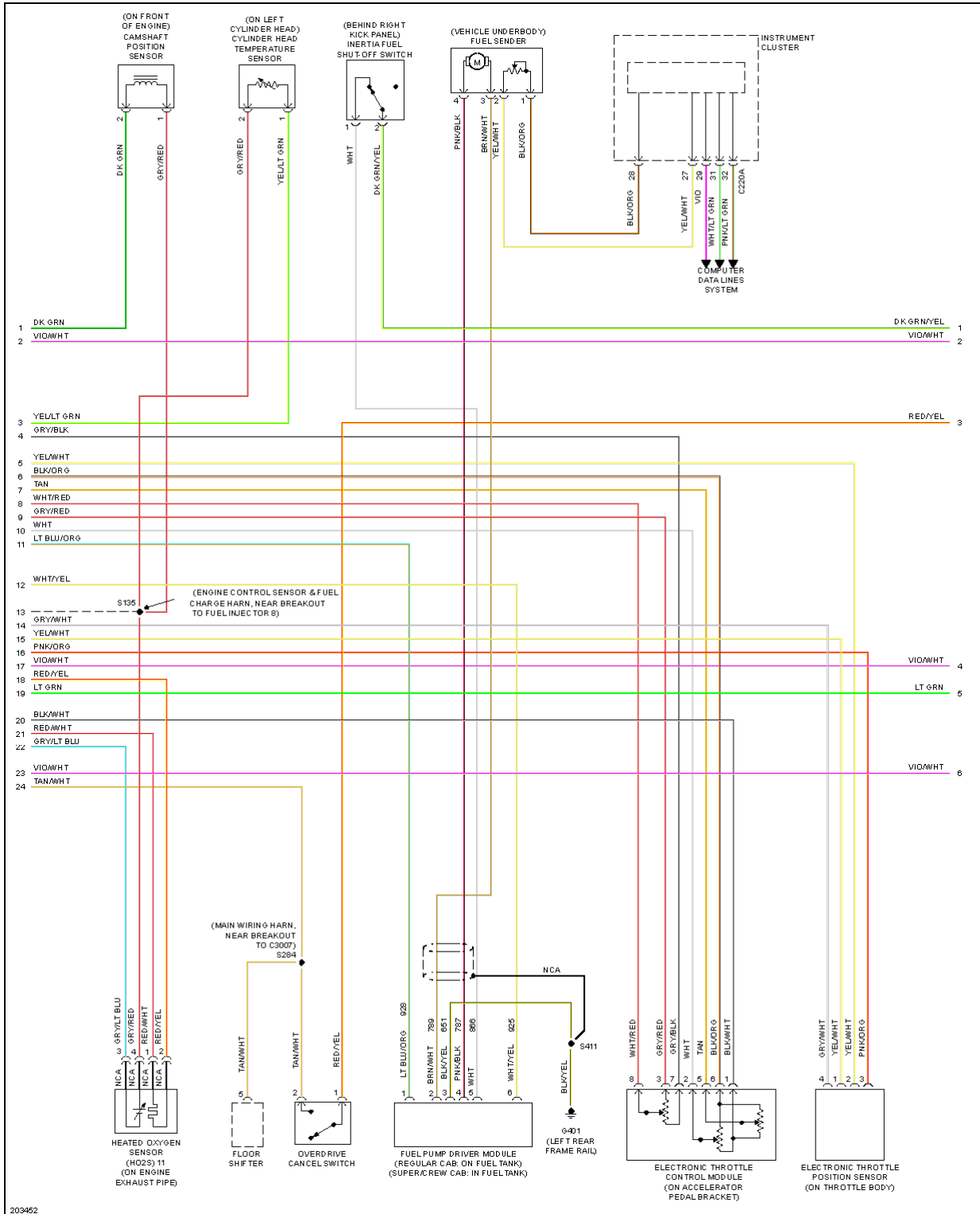
2005 Ford Pickup F150

2005 SYSTEM WIRING DIAGRAMS Ford - Pickup F150

Fig. 28: 4.6L, Engine Performance Circuit (3 of 6)

2005 Ford Pickup F150

2005 SYSTEM WIRING DIAGRAMS Ford - Pickup F150



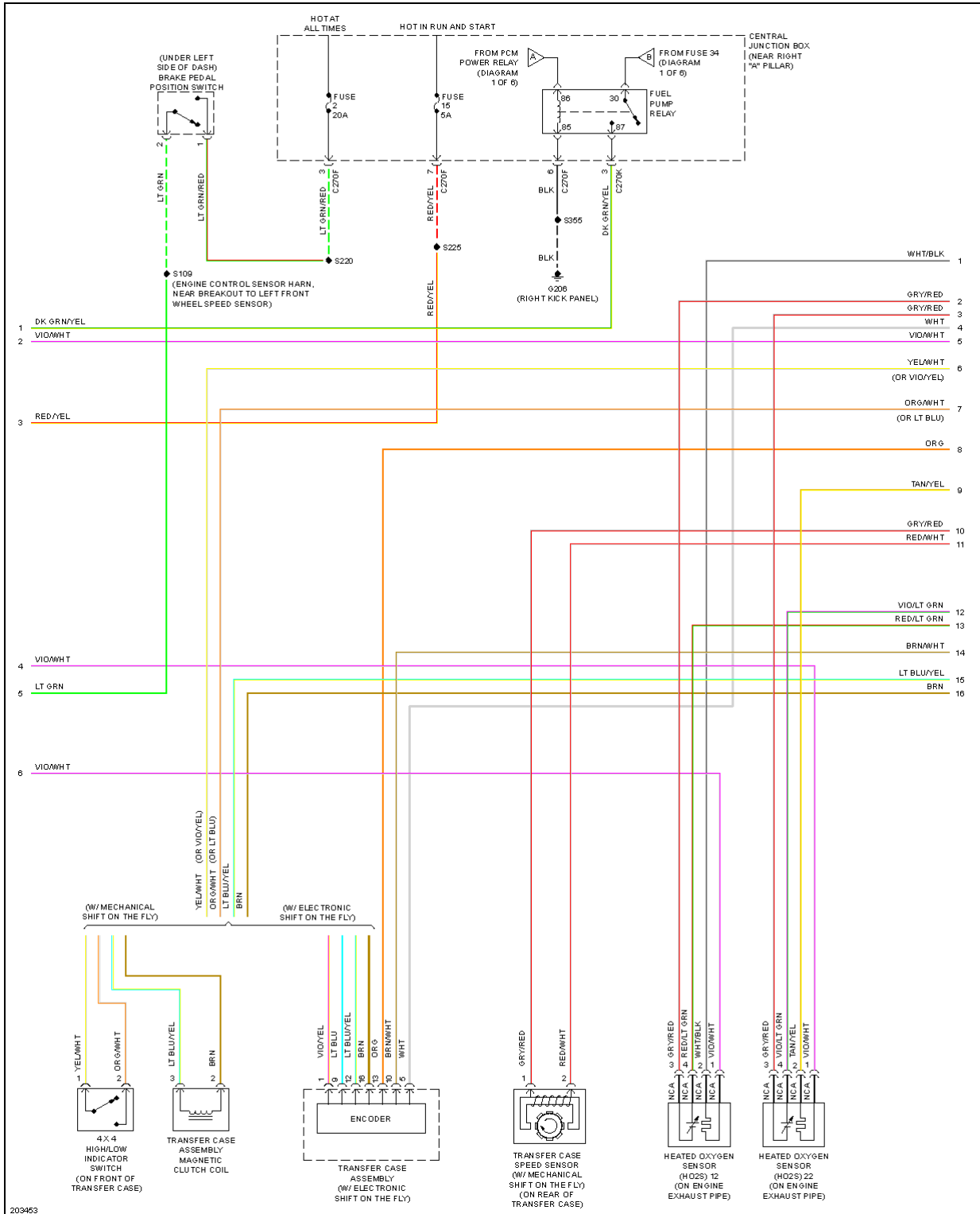
2005 Ford Pickup F150

2005 SYSTEM WIRING DIAGRAMS Ford - Pickup F150

Fig. 29: 4.6L, Engine Performance Circuit (4 of 6)

2005 Ford Pickup F150

2005 SYSTEM WIRING DIAGRAMS Ford - Pickup F150



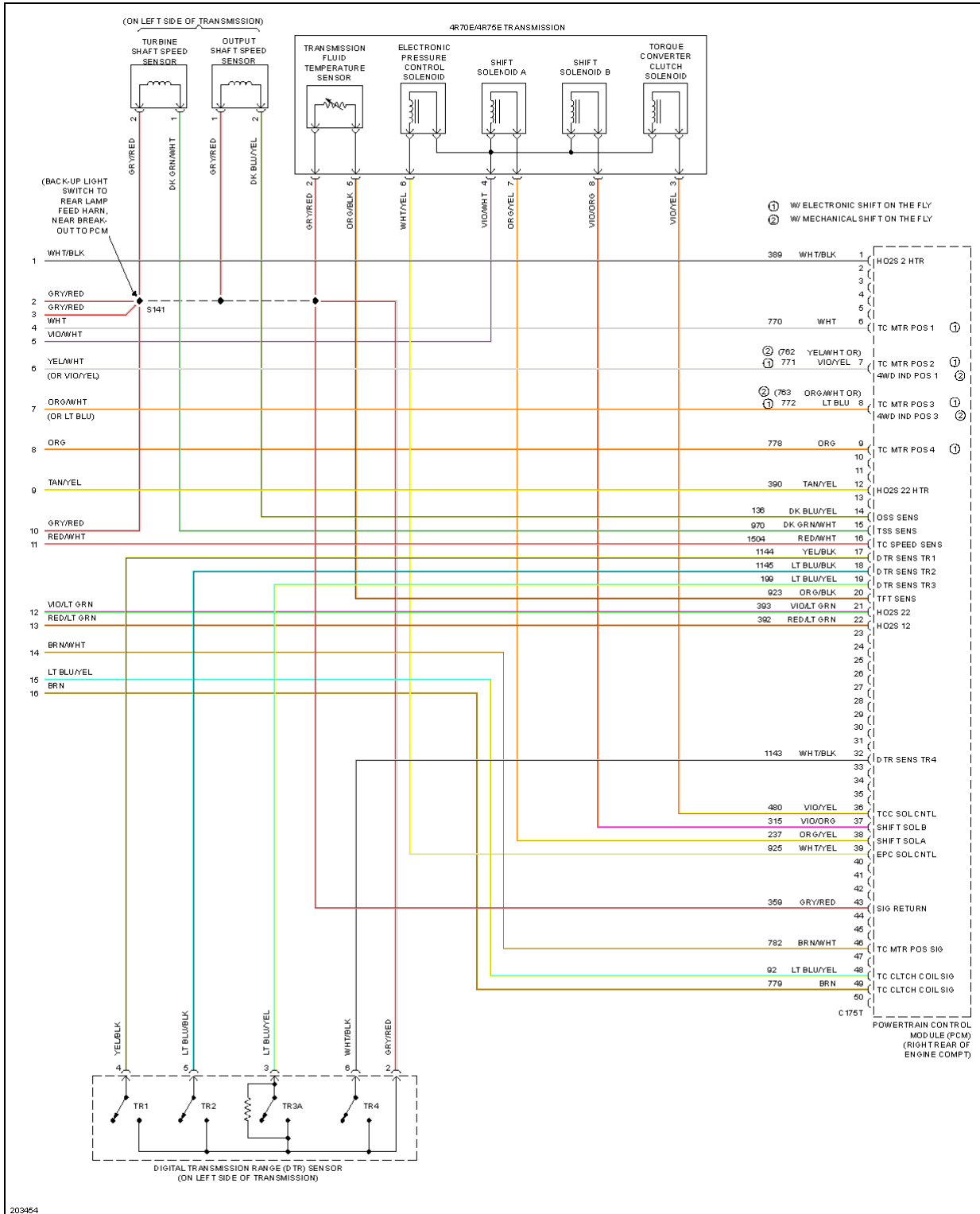
2005 Ford Pickup F150

2005 SYSTEM WIRING DIAGRAMS Ford - Pickup F150

Fig. 30: 4.6L, Engine Performance Circuit (5 of 6)

2005 Ford Pickup F150

2005 SYSTEM WIRING DIAGRAMS Ford - Pickup F150



2005 Ford Pickup F150

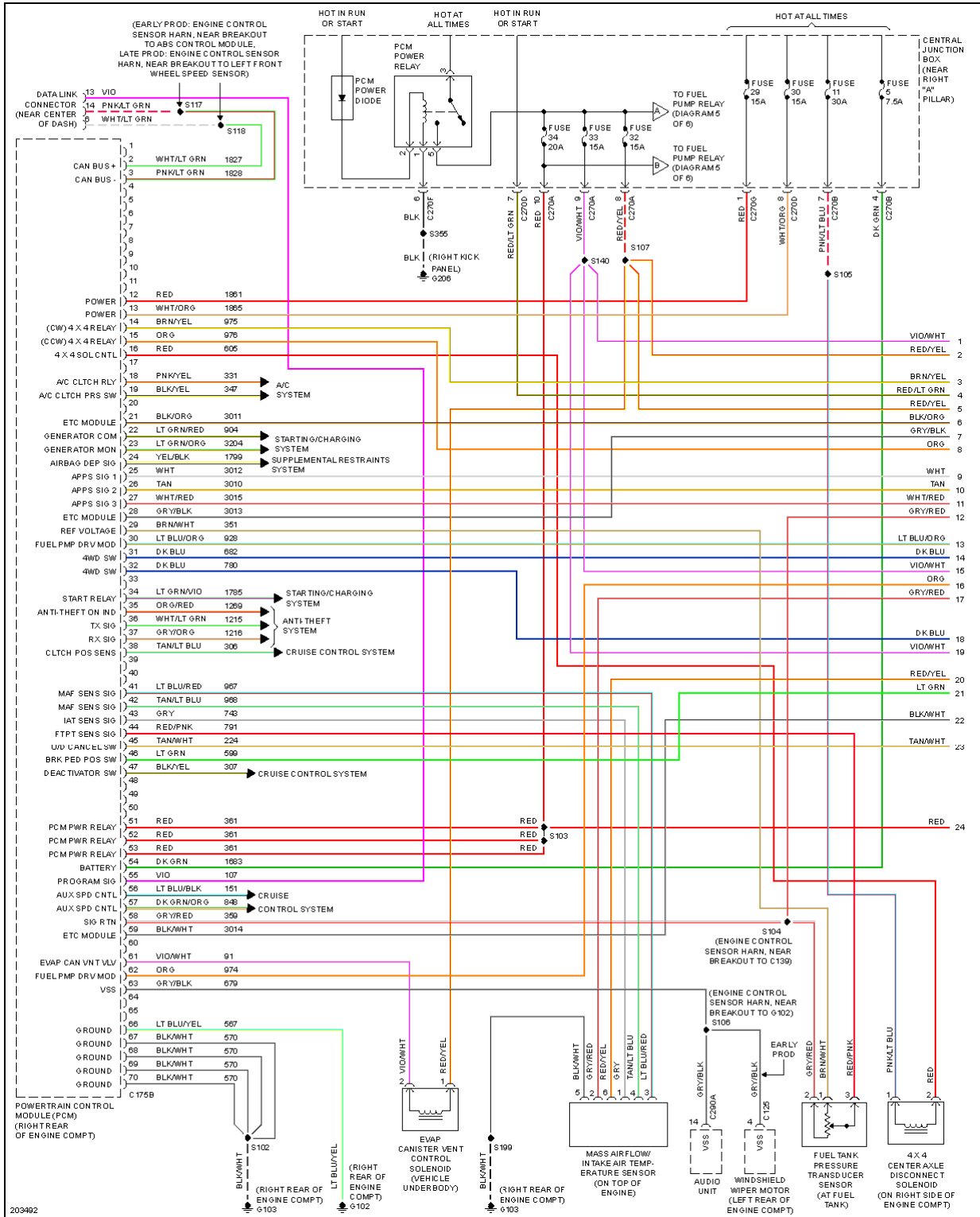
2005 SYSTEM WIRING DIAGRAMS Ford - Pickup F150

Fig. 31: 4.6L, Engine Performance Circuit (6 of 6)

5.4L

2005 Ford Pickup F150

2005 SYSTEM WIRING DIAGRAMS Ford - Pickup F150



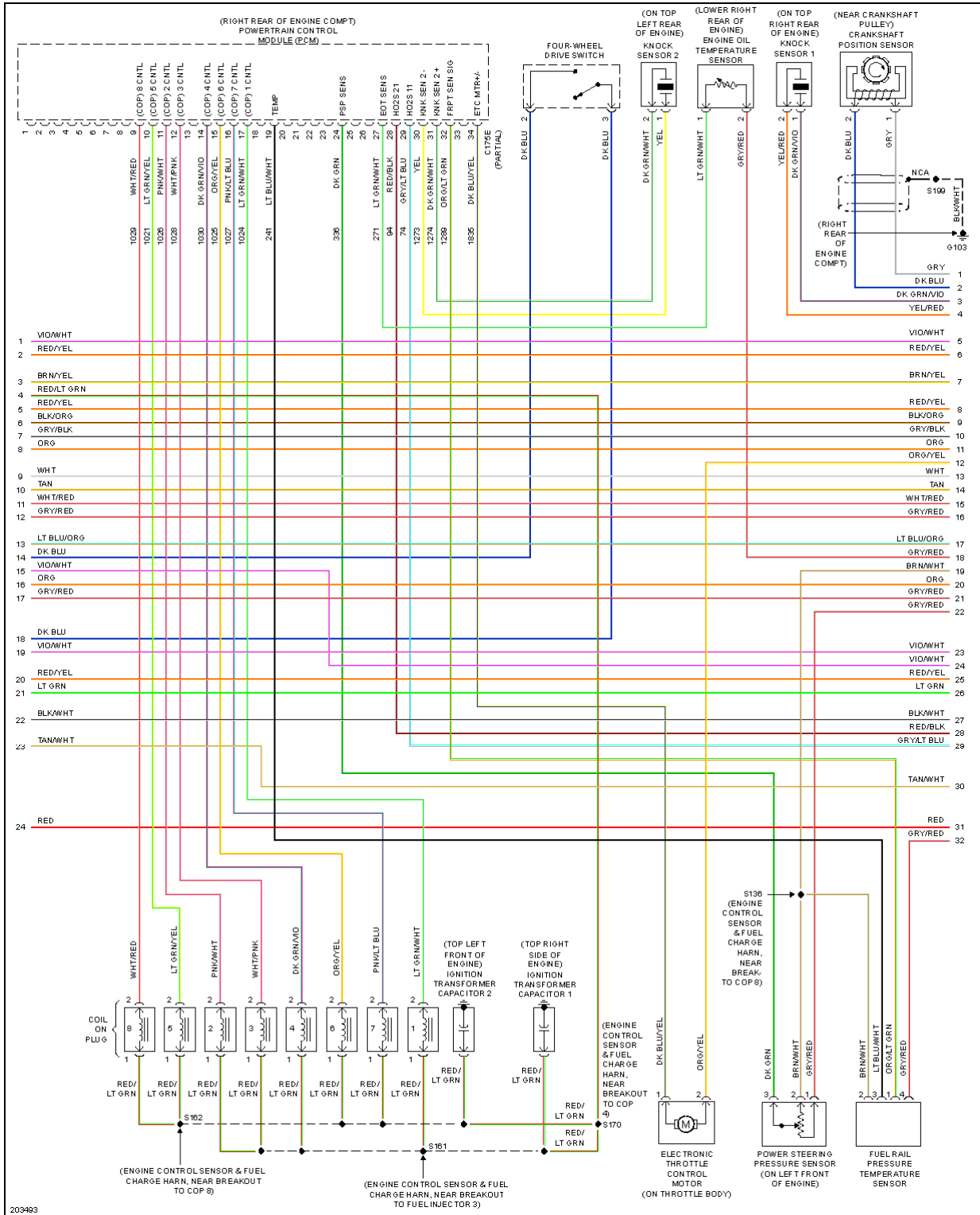
2005 Ford Pickup F150

2005 SYSTEM WIRING DIAGRAMS Ford - Pickup F150

Fig. 32: 5.4L, Engine Performance Circuit (1 of 6)

2005 Ford Pickup F150

2005 SYSTEM WIRING DIAGRAMS Ford - Pickup F150



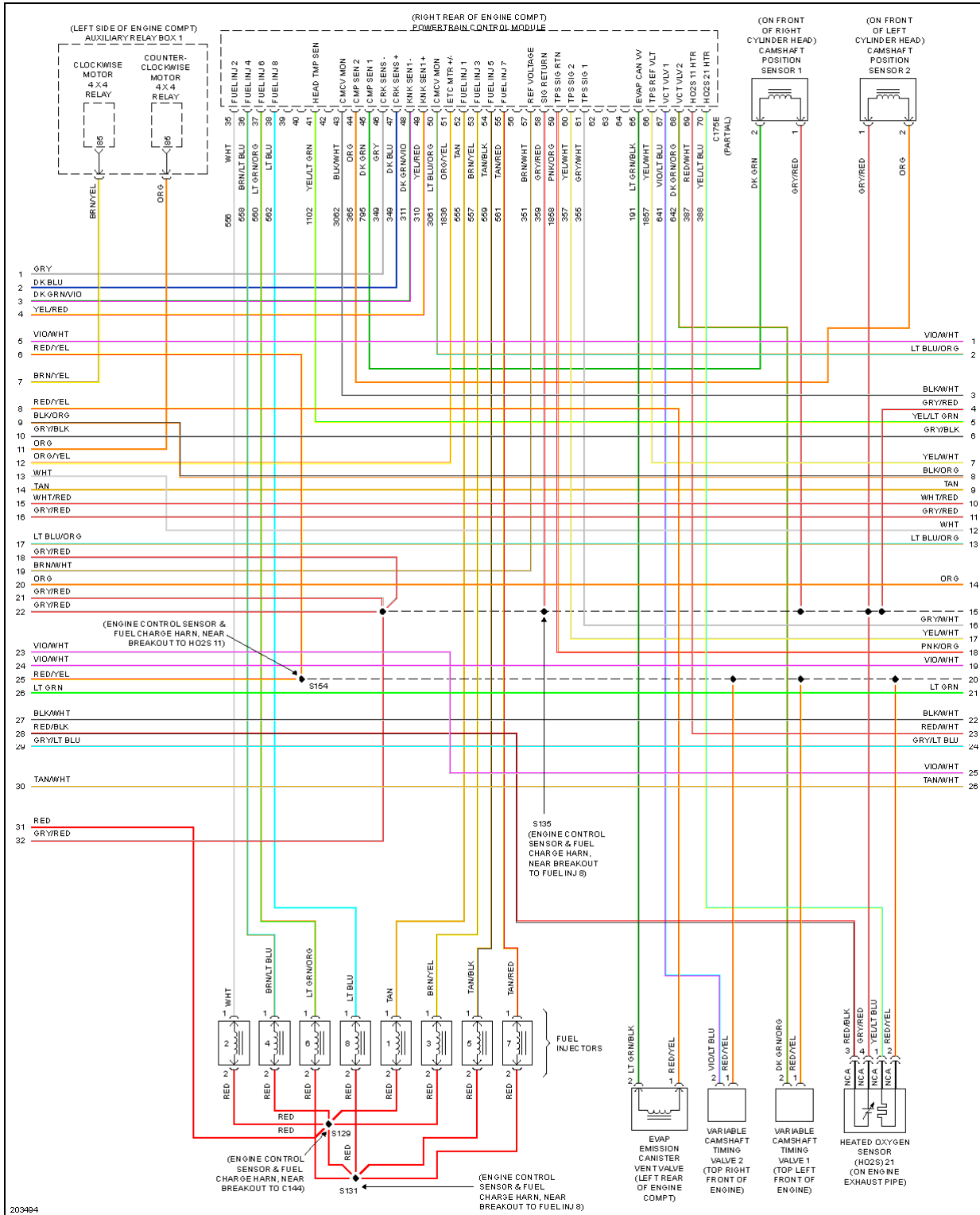
2005 Ford Pickup F150

2005 SYSTEM WIRING DIAGRAMS Ford - Pickup F150

Fig. 33: 5.4L, Engine Performance Circuit (2 of 6)

2005 Ford Pickup F150

2005 SYSTEM WIRING DIAGRAMS Ford - Pickup F150



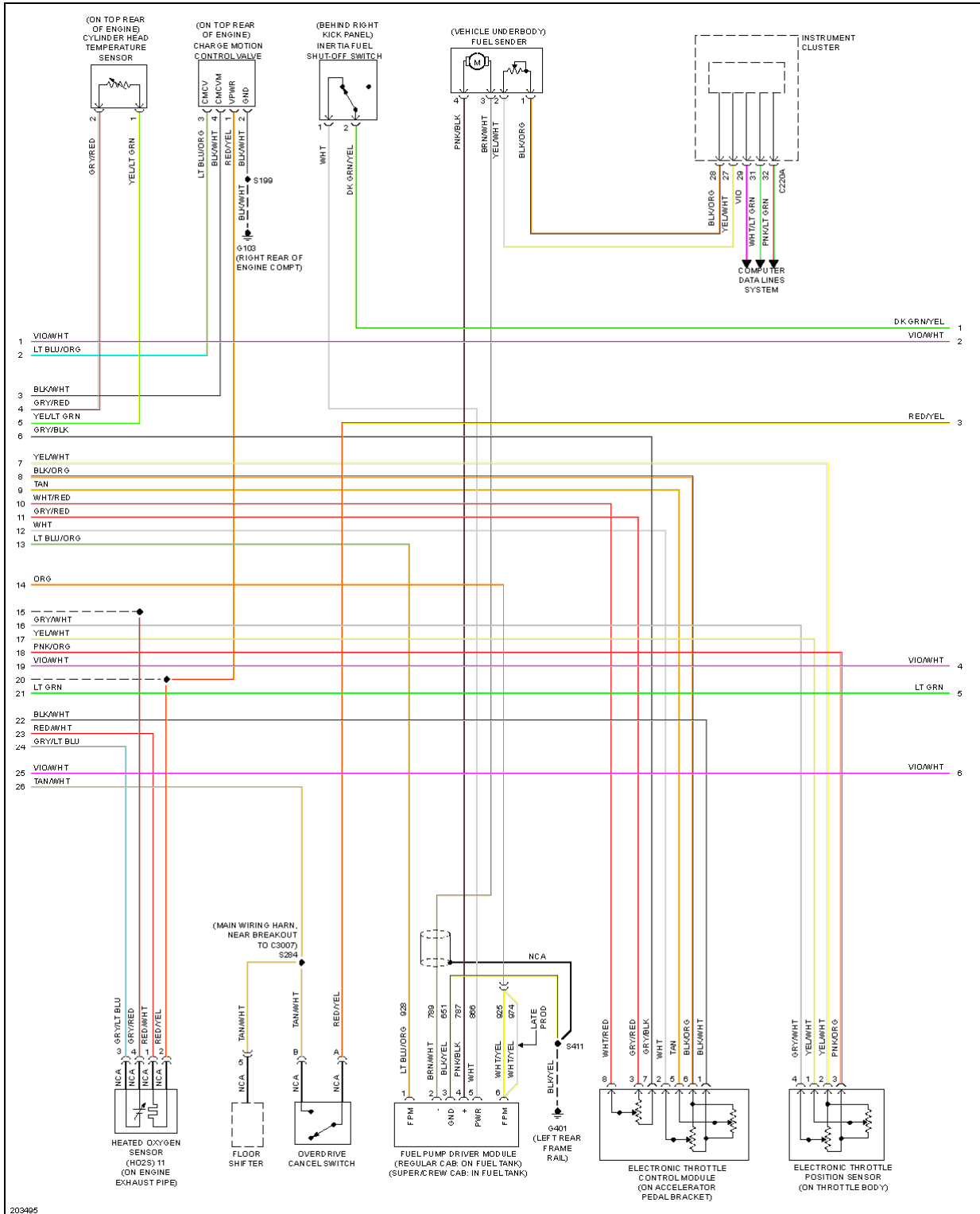
2005 Ford Pickup F150

2005 SYSTEM WIRING DIAGRAMS Ford - Pickup F150

Fig. 34: 5.4L, Engine Performance Circuit (3 of 6)

2005 Ford Pickup F150

2005 SYSTEM WIRING DIAGRAMS Ford - Pickup F150



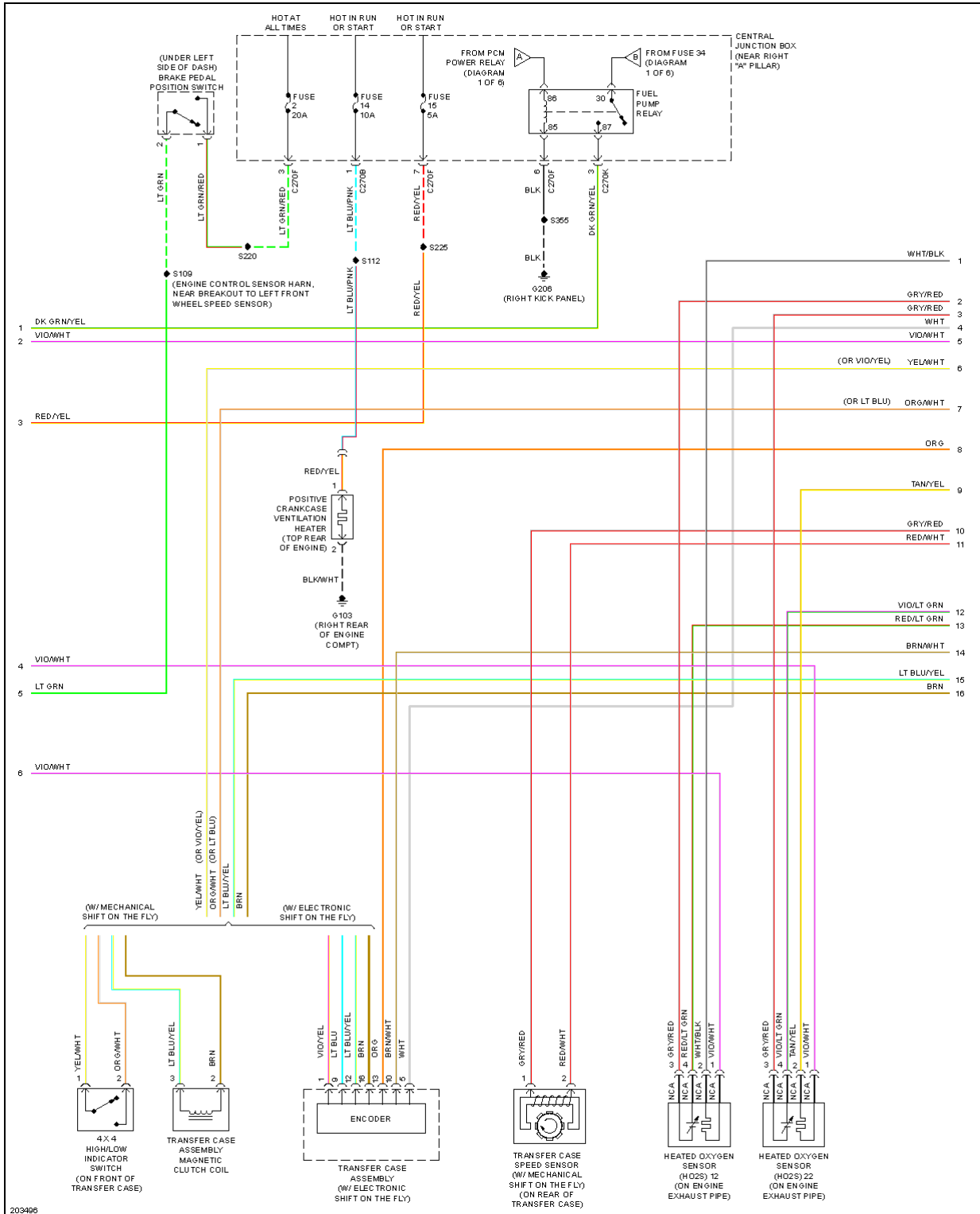
2005 Ford Pickup F150

2005 SYSTEM WIRING DIAGRAMS Ford - Pickup F150

Fig. 35: 5.4L, Engine Performance Circuit (4 of 6)

2005 Ford Pickup F150

2005 SYSTEM WIRING DIAGRAMS Ford - Pickup F150



2005 Ford Pickup F150

2005 SYSTEM WIRING DIAGRAMS Ford - Pickup F150

Fig. 36: 5.4L, Engine Performance Circuit (5 of 6)

2005 Ford Pickup F150

2005 SYSTEM WIRING DIAGRAMS Ford - Pickup F150

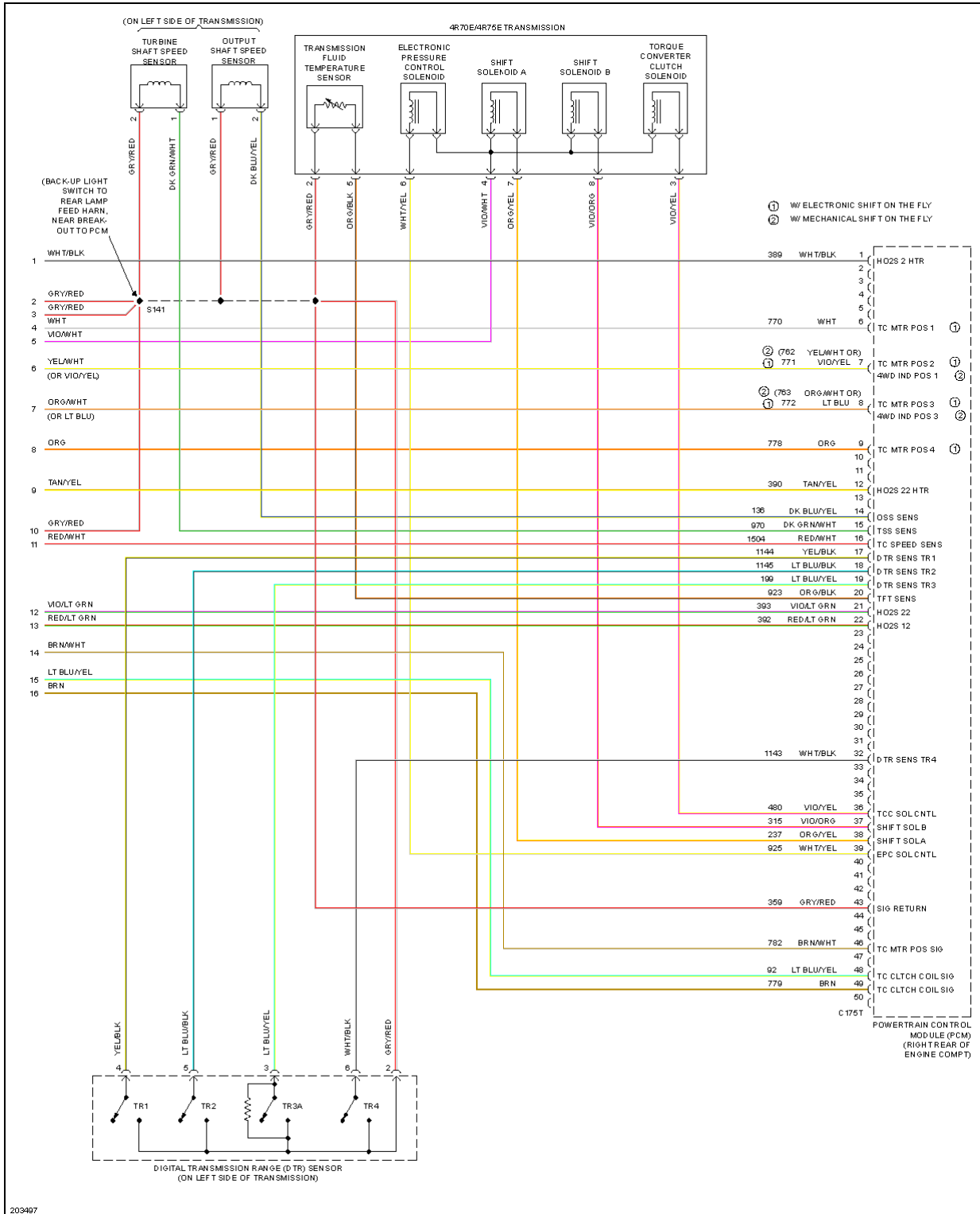
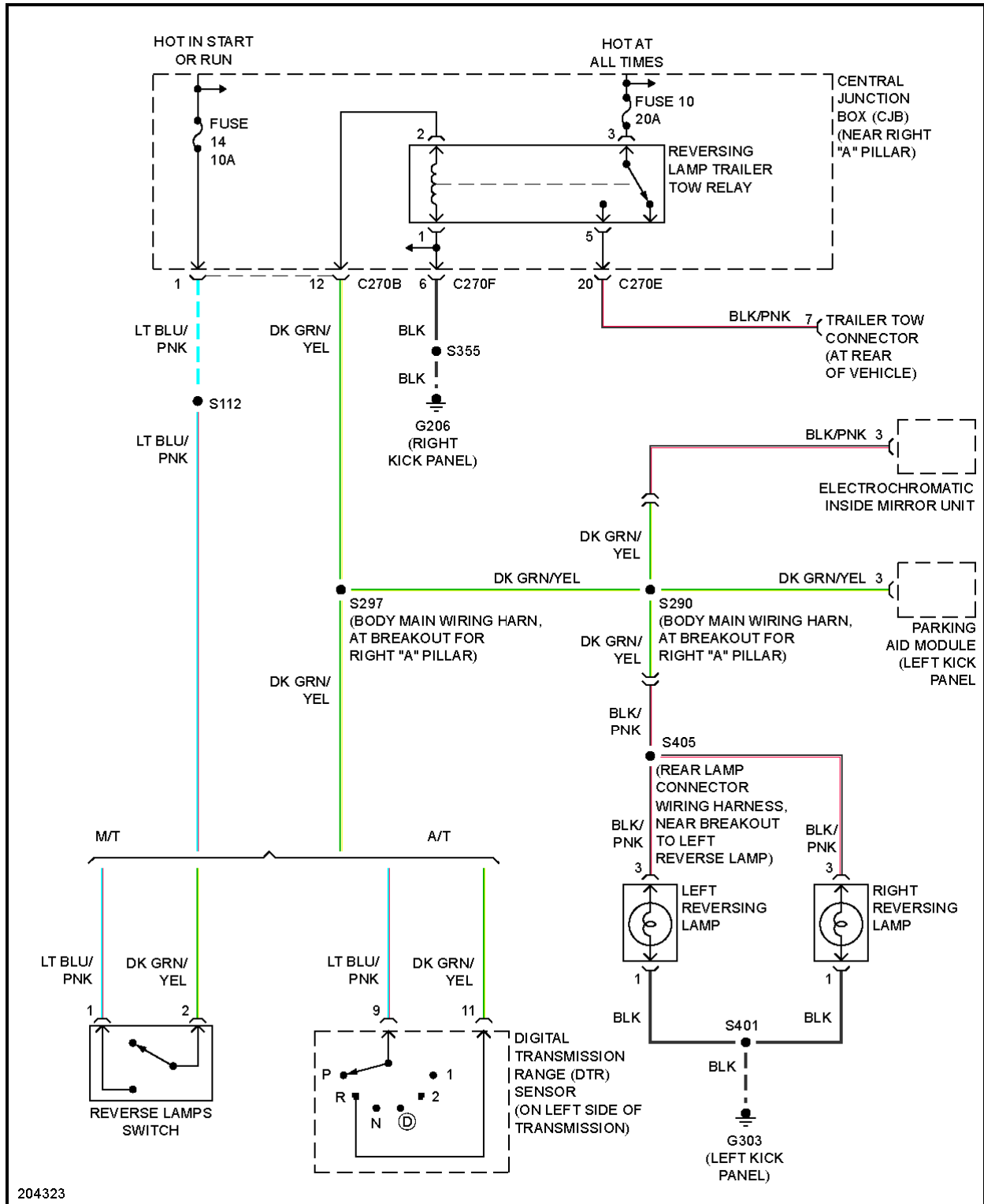


Fig. 37: 5.4L, Engine Performance Circuit (6 of 6)

EXTERIOR LIGHTS

2005 Ford Pickup F150

2005 SYSTEM WIRING DIAGRAMS Ford - Pickup F150



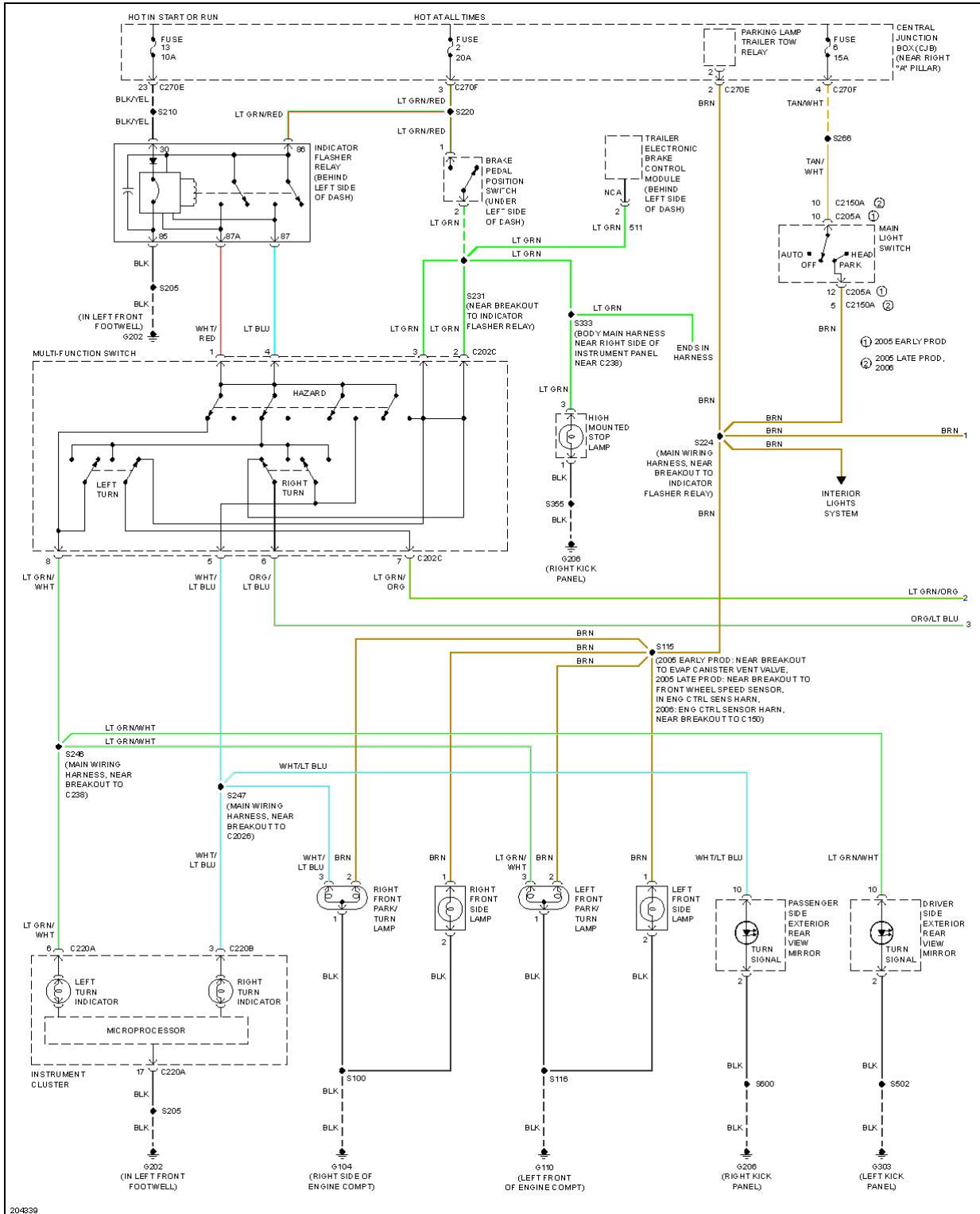
2005 Ford Pickup F150

2005 SYSTEM WIRING DIAGRAMS Ford - Pickup F150

Fig. 38: Back-up Lamps Circuit

2005 Ford Pickup F150

2005 SYSTEM WIRING DIAGRAMS Ford - Pickup F150



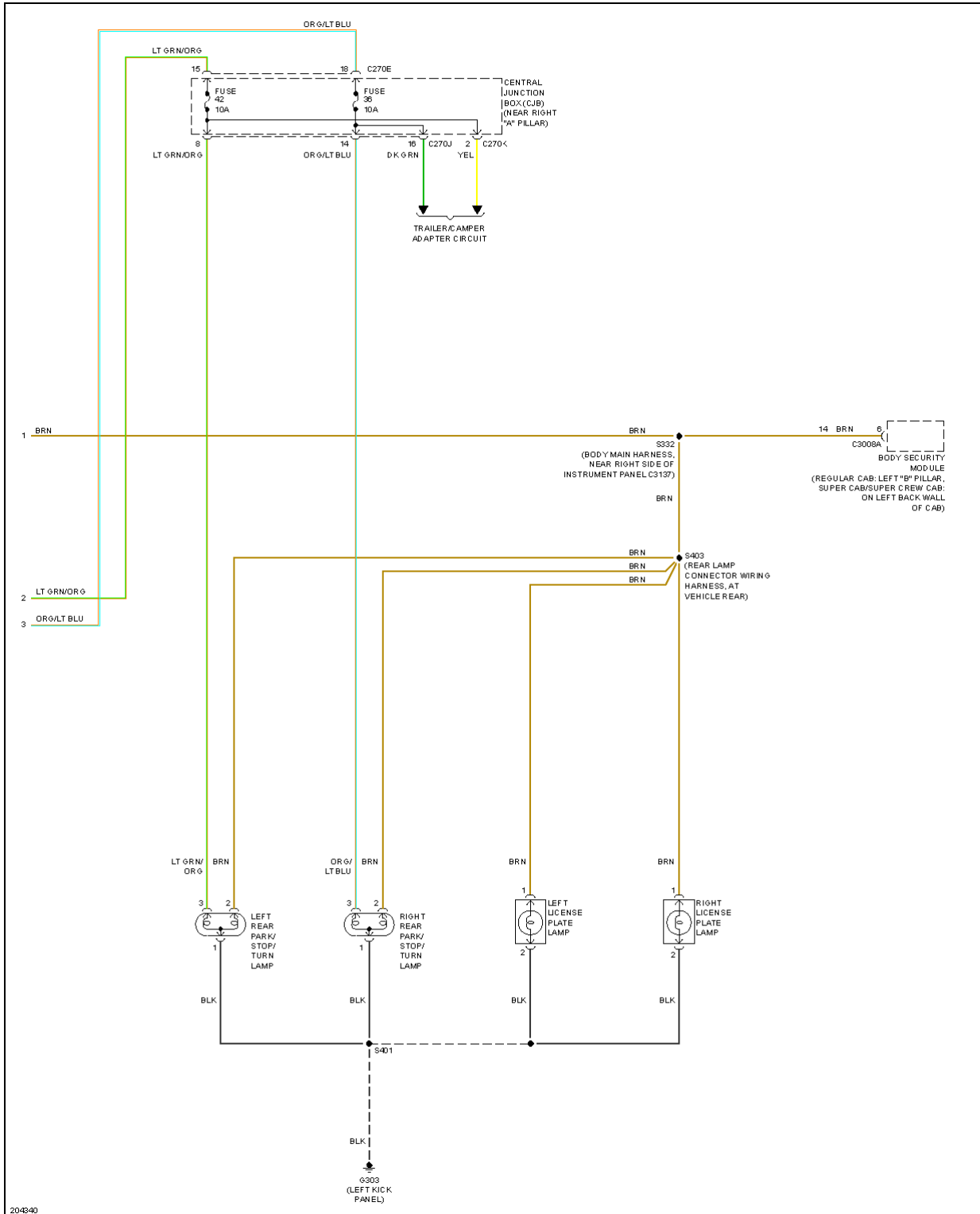
2005 Ford Pickup F150

2005 SYSTEM WIRING DIAGRAMS Ford - Pickup F150

Fig. 39: Exterior Lamps Circuit (1 of 2)

2005 Ford Pickup F150

2005 SYSTEM WIRING DIAGRAMS Ford - Pickup F150



2005 Ford Pickup F150

2005 SYSTEM WIRING DIAGRAMS Ford - Pickup F150

Fig. 40: Exterior Lamps Circuit (2 of 2)

2005 Ford Pickup F150

2005 SYSTEM WIRING DIAGRAMS Ford - Pickup F150

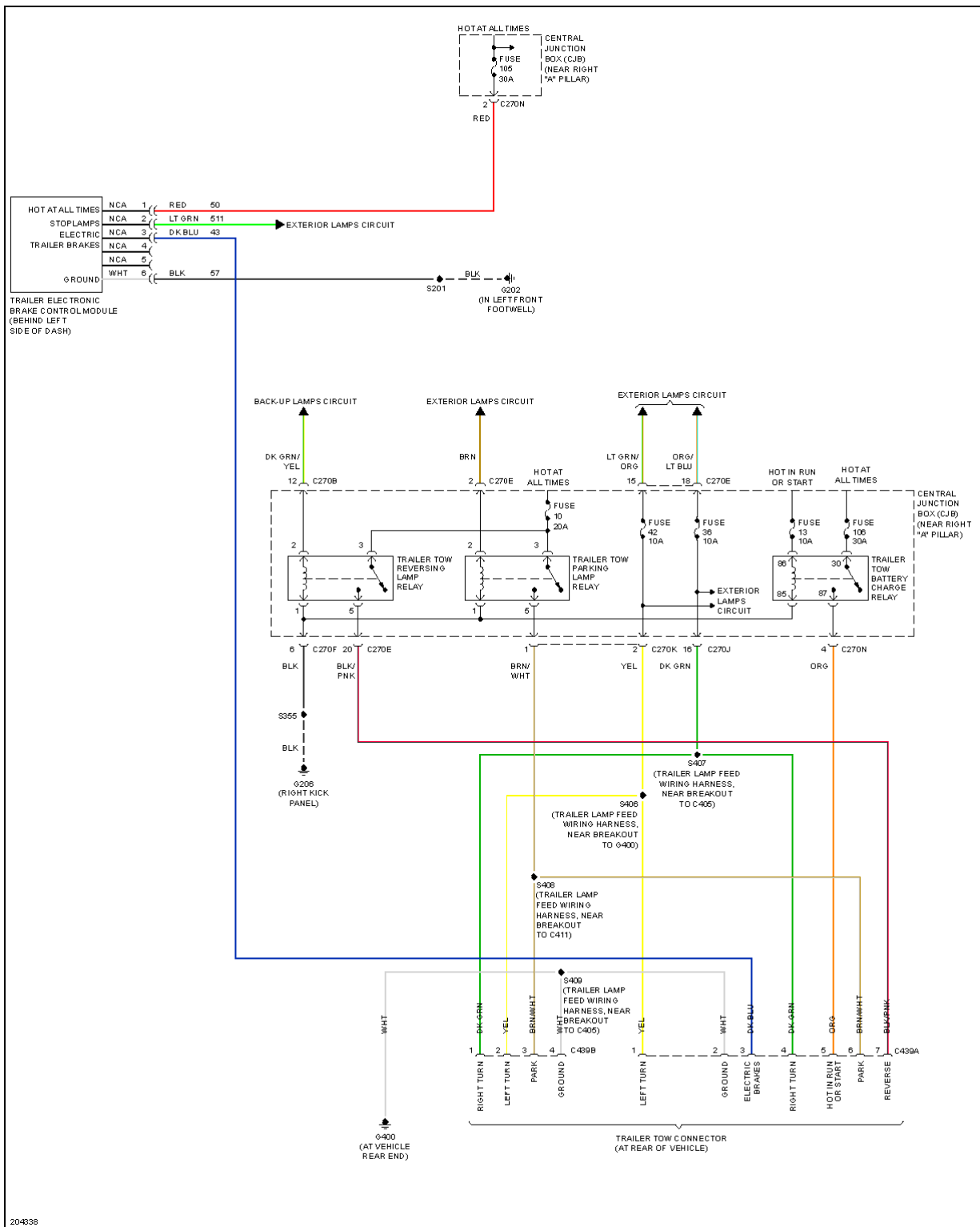
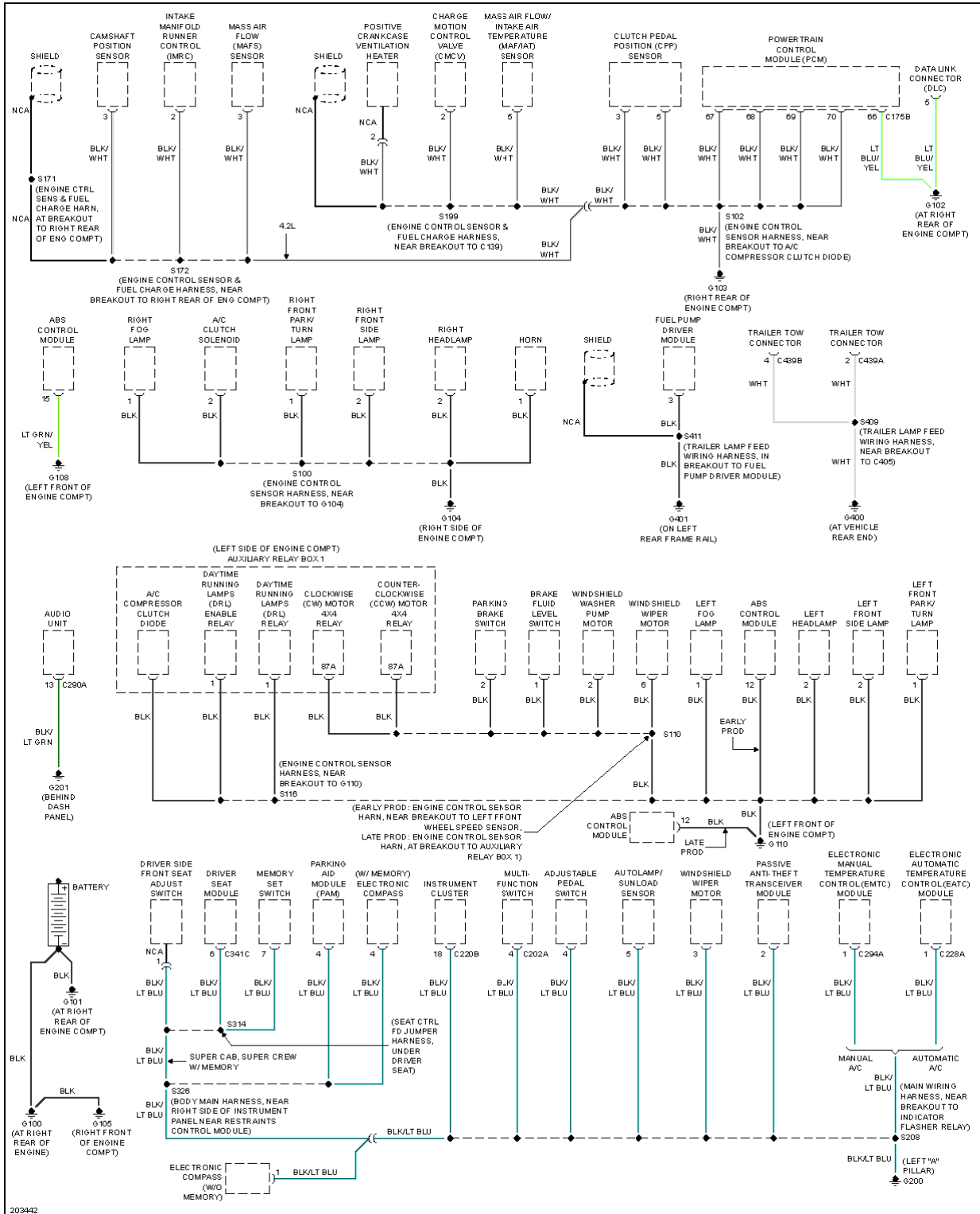


Fig. 41: Trailer/Camper Adapter Circuit

GROUND DISTRIBUTION

2005 Ford Pickup F150

2005 SYSTEM WIRING DIAGRAMS Ford - Pickup F150



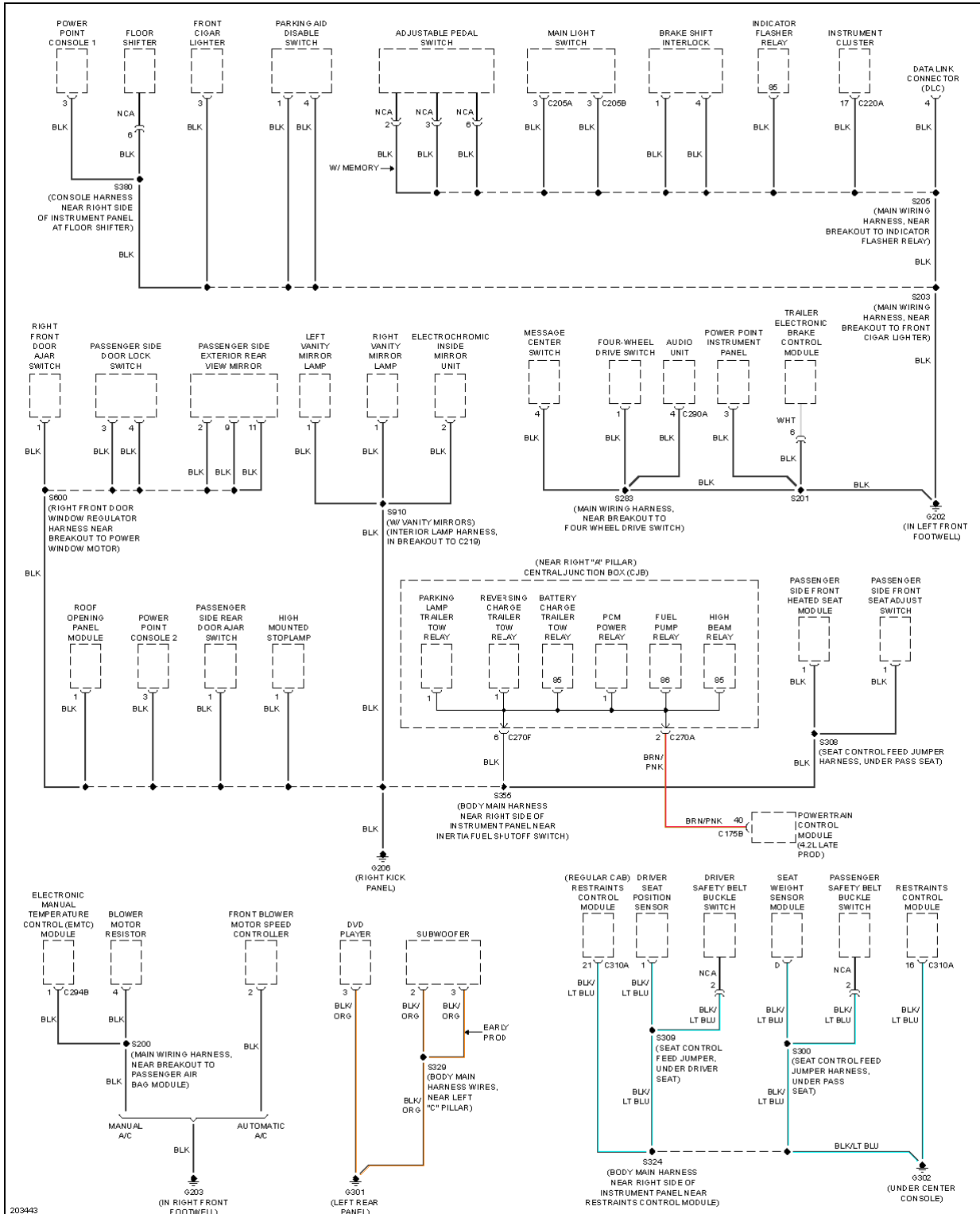
2005 Ford Pickup F150

2005 SYSTEM WIRING DIAGRAMS Ford - Pickup F150

Fig. 42: Ground Distribution Circuit (1 of 3)

2005 Ford Pickup F150

2005 SYSTEM WIRING DIAGRAMS Ford - Pickup F150



2005 Ford Pickup F150

2005 SYSTEM WIRING DIAGRAMS Ford - Pickup F150

Fig. 43: Ground Distribution Circuit (2 of 3)

2005 Ford Pickup F150

2005 SYSTEM WIRING DIAGRAMS Ford - Pickup F150

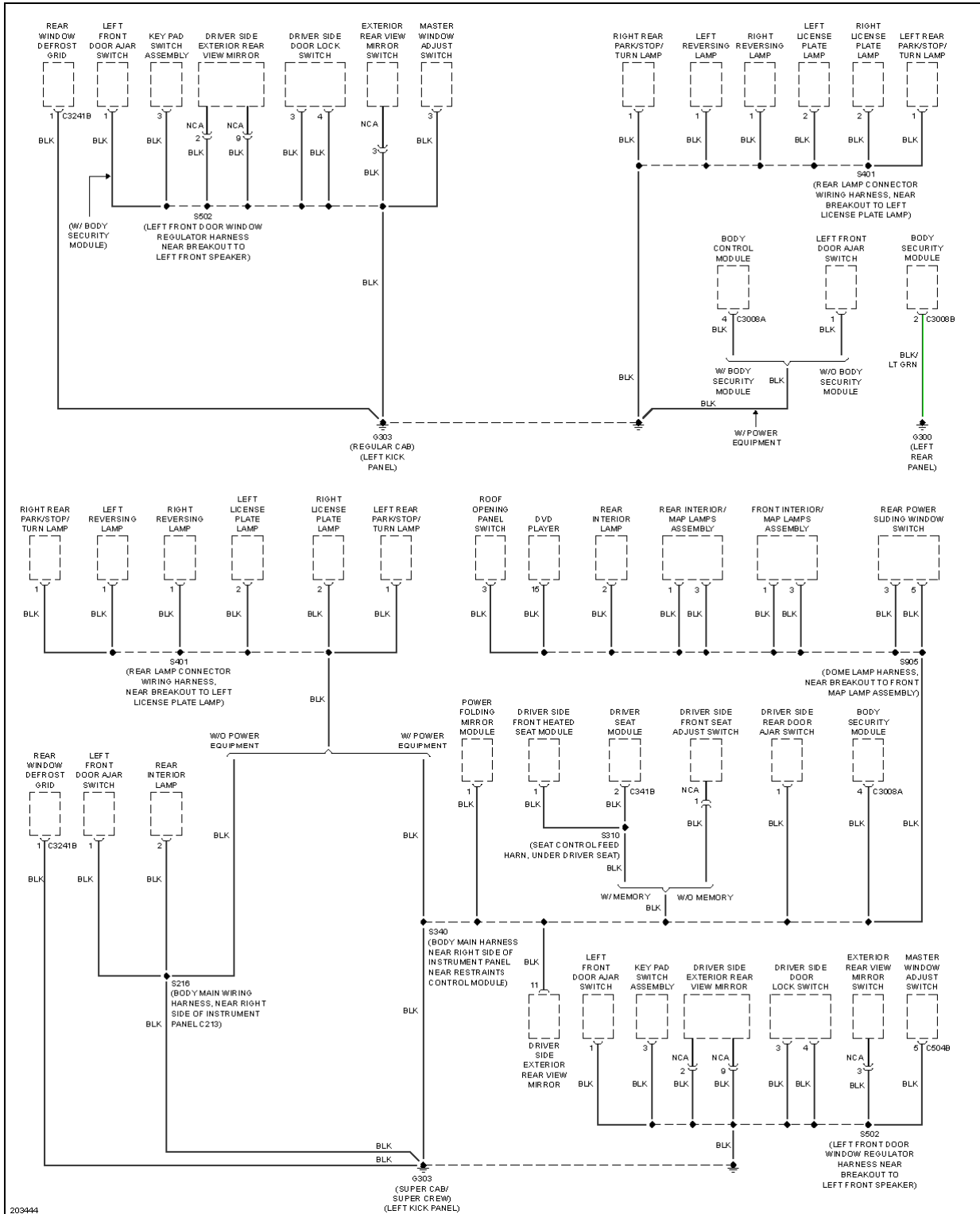
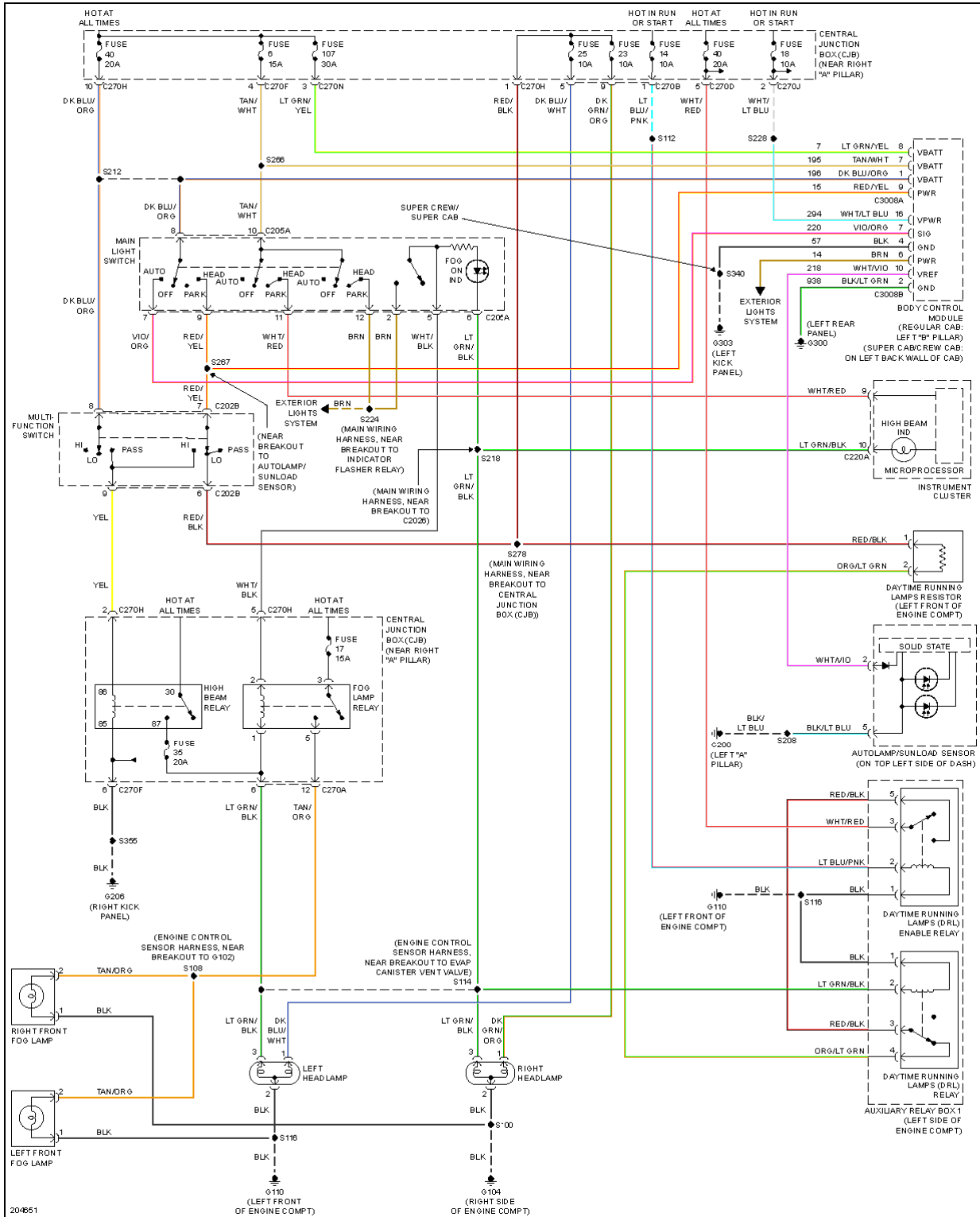


Fig. 44: Ground Distribution Circuit (3 of 3)

HEADLIGHTS

2005 Ford Pickup F150

2005 SYSTEM WIRING DIAGRAMS Ford - Pickup F150



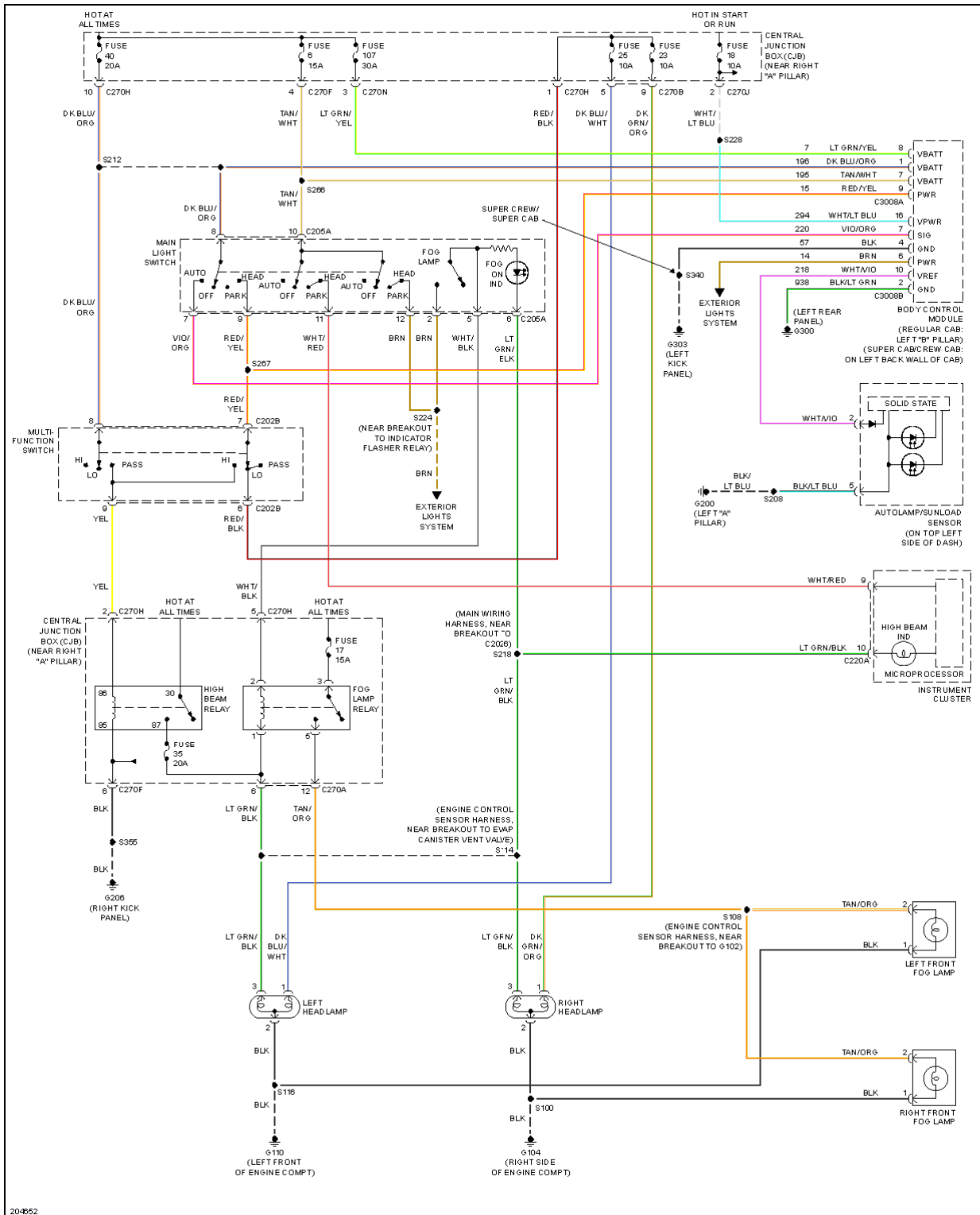
2005 Ford Pickup F150

2005 SYSTEM WIRING DIAGRAMS Ford - Pickup F150

Fig. 45: Autolamps Circuit, W/ DRL

2005 Ford Pickup F150

2005 SYSTEM WIRING DIAGRAMS Ford - Pickup F150



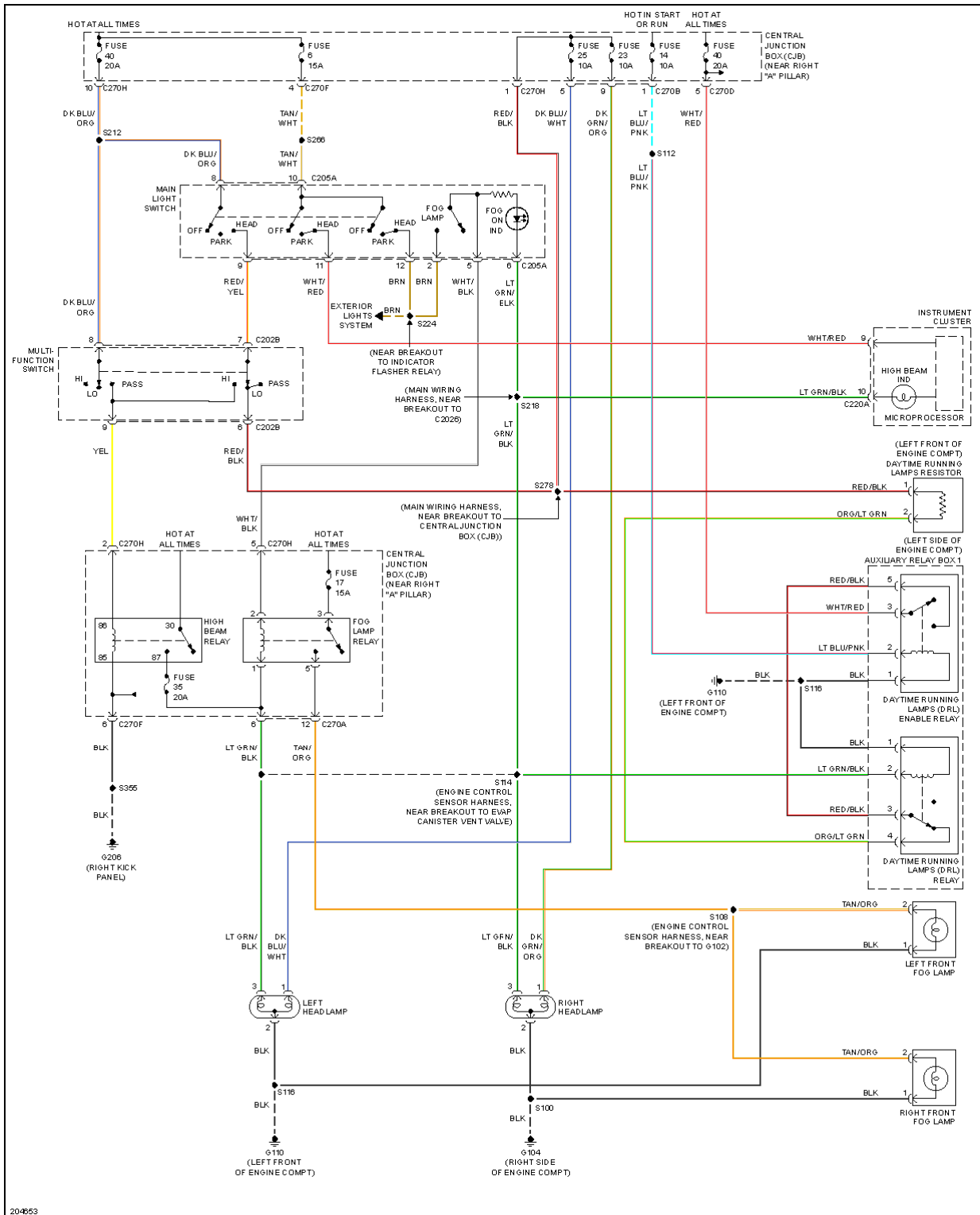
2005 Ford Pickup F150

2005 SYSTEM WIRING DIAGRAMS Ford - Pickup F150

Fig. 46: Autolamps Circuit, W/O DRL

2005 Ford Pickup F150

2005 SYSTEM WIRING DIAGRAMS Ford - Pickup F150



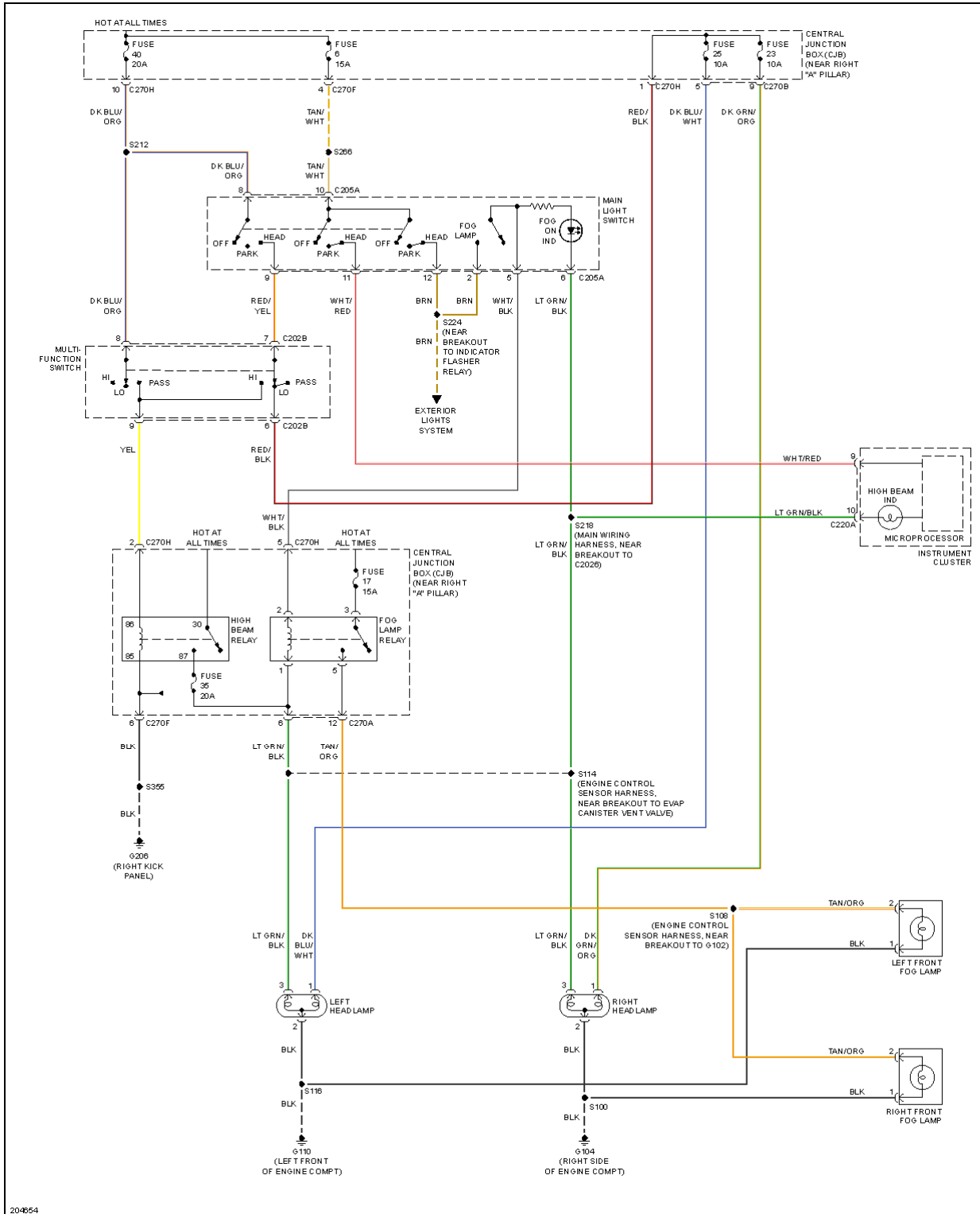
2005 Ford Pickup F150

2005 SYSTEM WIRING DIAGRAMS Ford - Pickup F150

Fig. 47: Headlamps Circuit, W/ DRL

2005 Ford Pickup F150

2005 SYSTEM WIRING DIAGRAMS Ford - Pickup F150



2005 Ford Pickup F150

2005 SYSTEM WIRING DIAGRAMS Ford - Pickup F150

Fig. 48: Headlamps Circuit, W/O DRL

HORN

2005 Ford Pickup F150

2005 SYSTEM WIRING DIAGRAMS Ford - Pickup F150

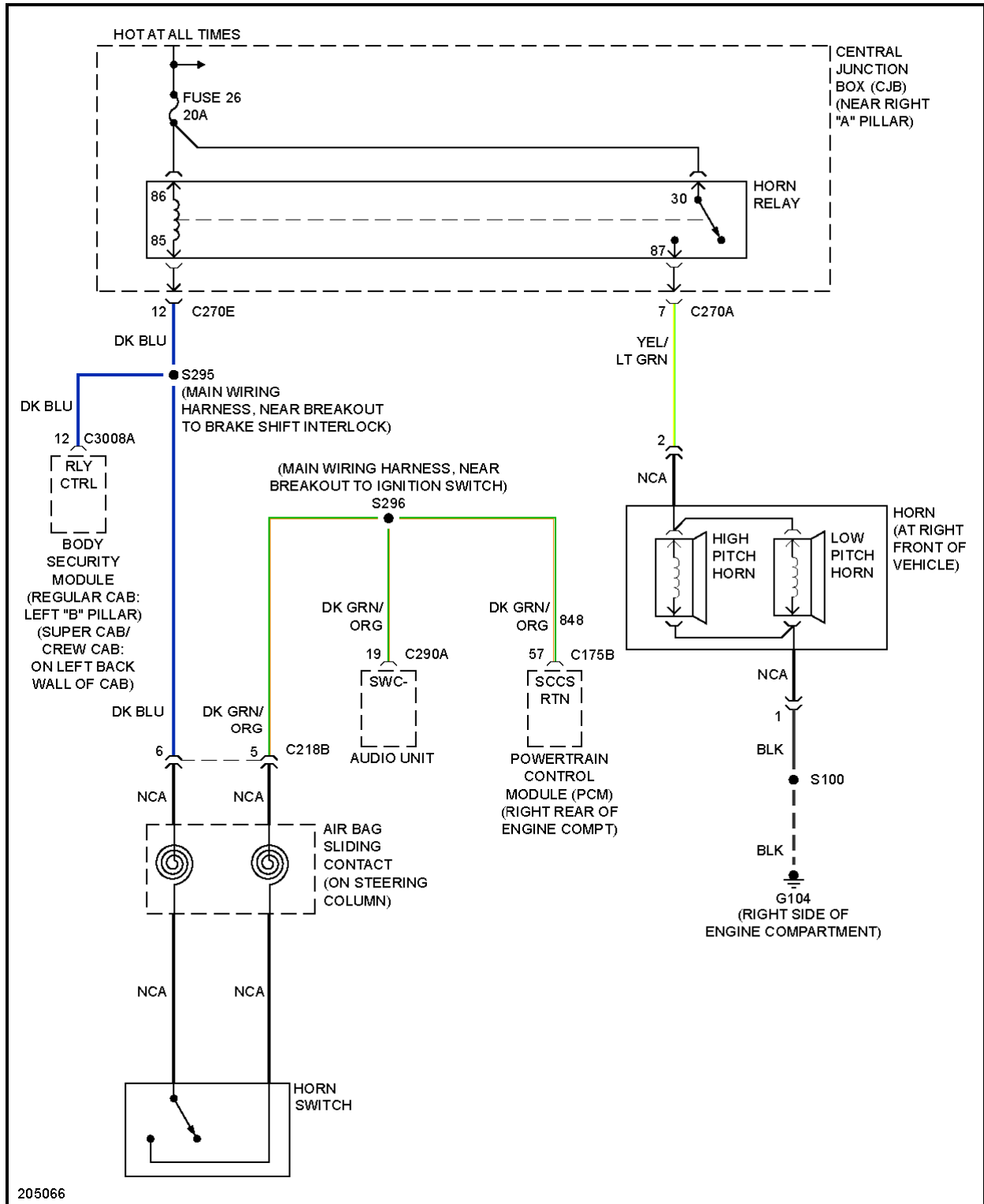


Fig. 49: Horn Circuit

INSTRUMENT CLUSTER

2005 Ford Pickup F150

2005 SYSTEM WIRING DIAGRAMS Ford - Pickup F150

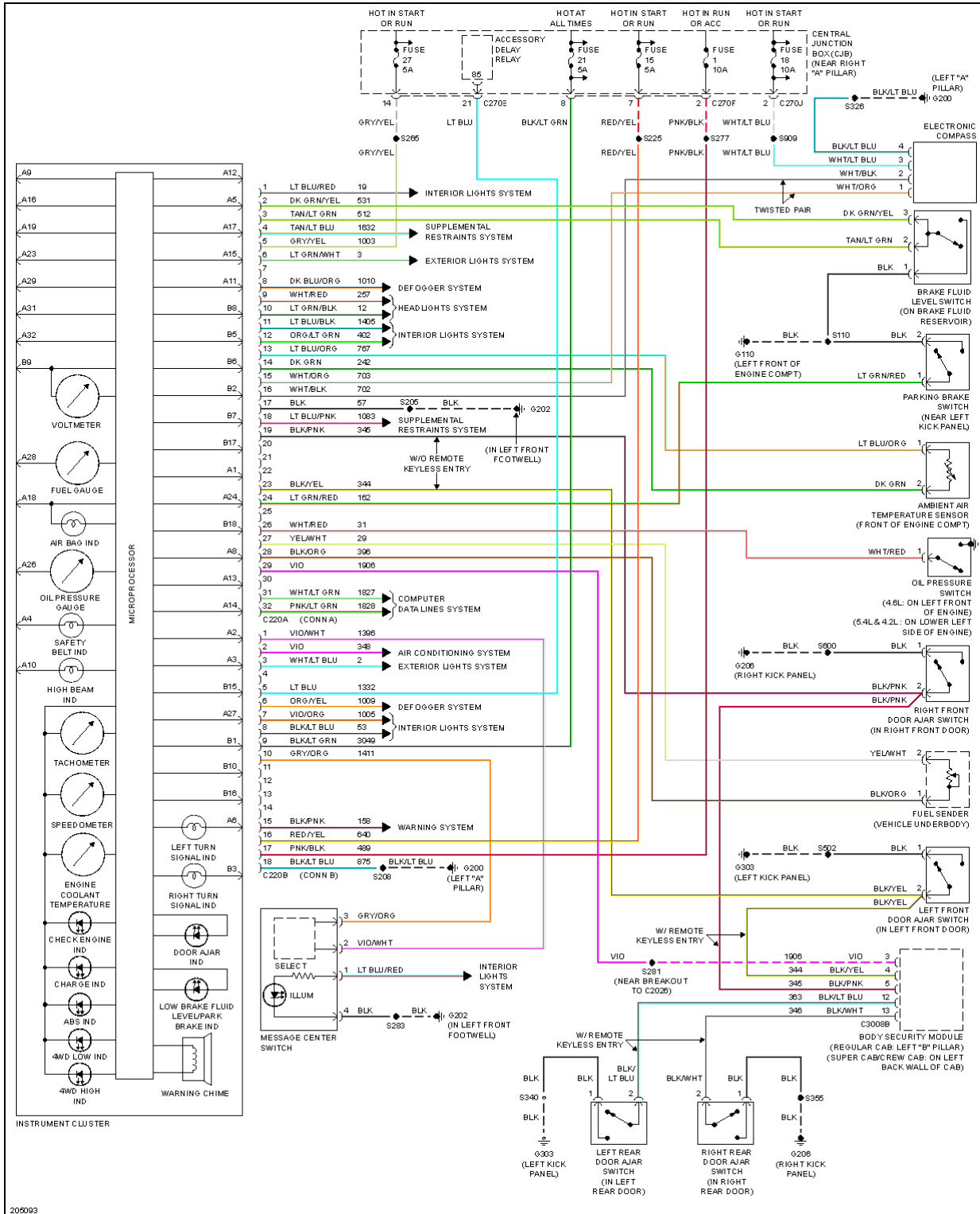
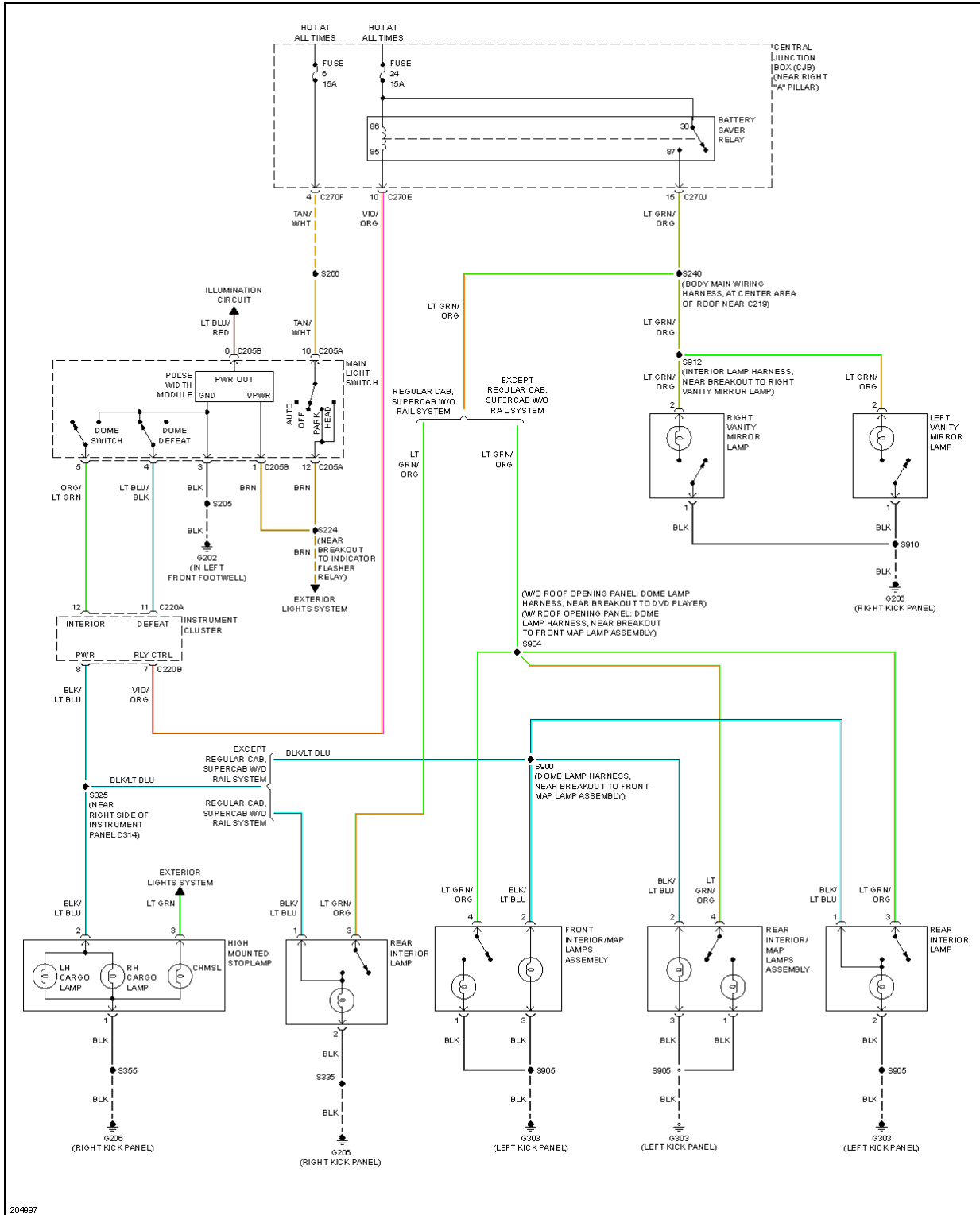


Fig. 50: Instrument Cluster Circuit

INTERIOR LIGHTS

2005 Ford Pickup F150

2005 SYSTEM WIRING DIAGRAMS Ford - Pickup F150



2005 Ford Pickup F150

2005 SYSTEM WIRING DIAGRAMS Ford - Pickup F150

Fig. 51: Courtesy Lamps Circuit

2005 Ford Pickup F150

2005 SYSTEM WIRING DIAGRAMS Ford - Pickup F150

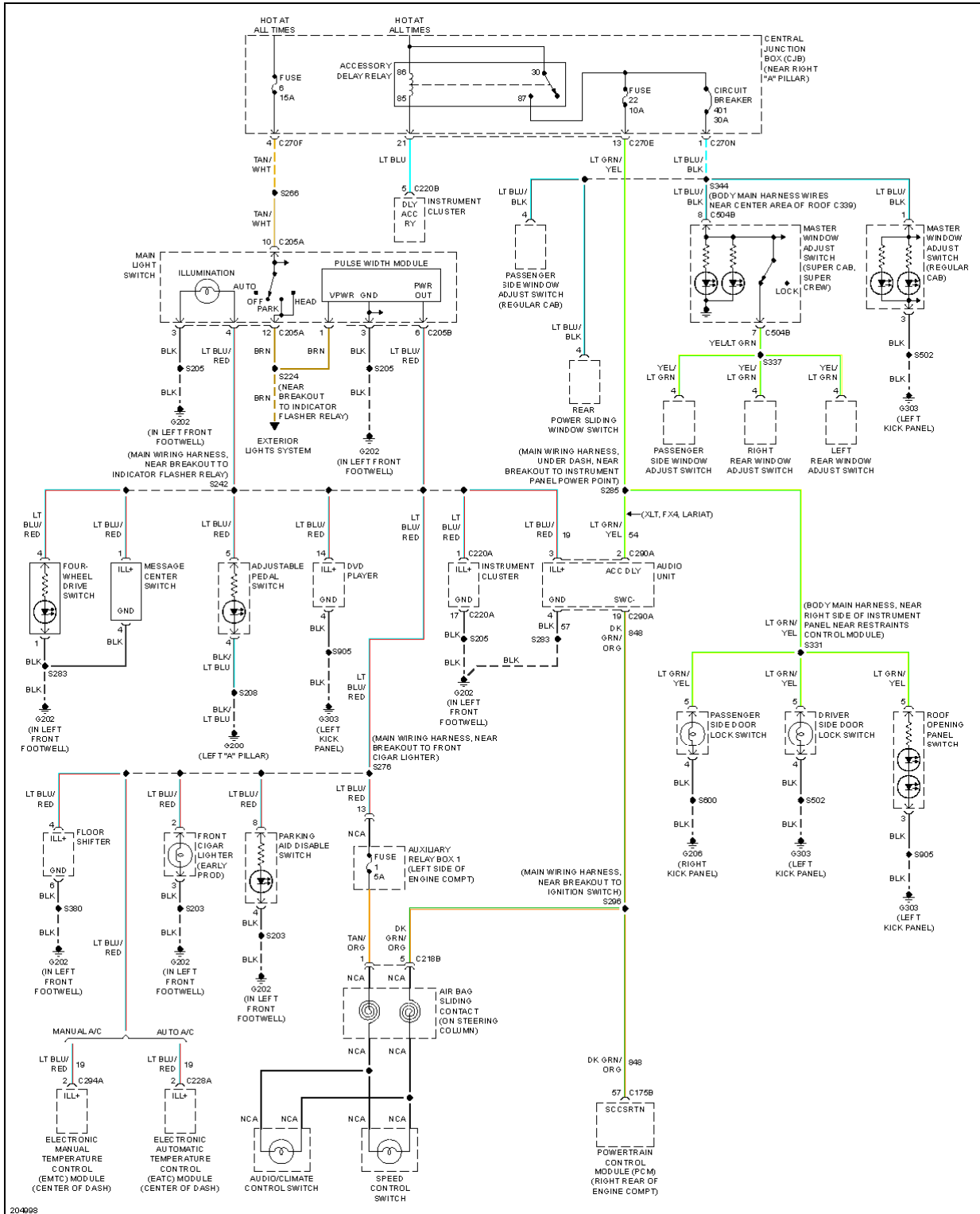
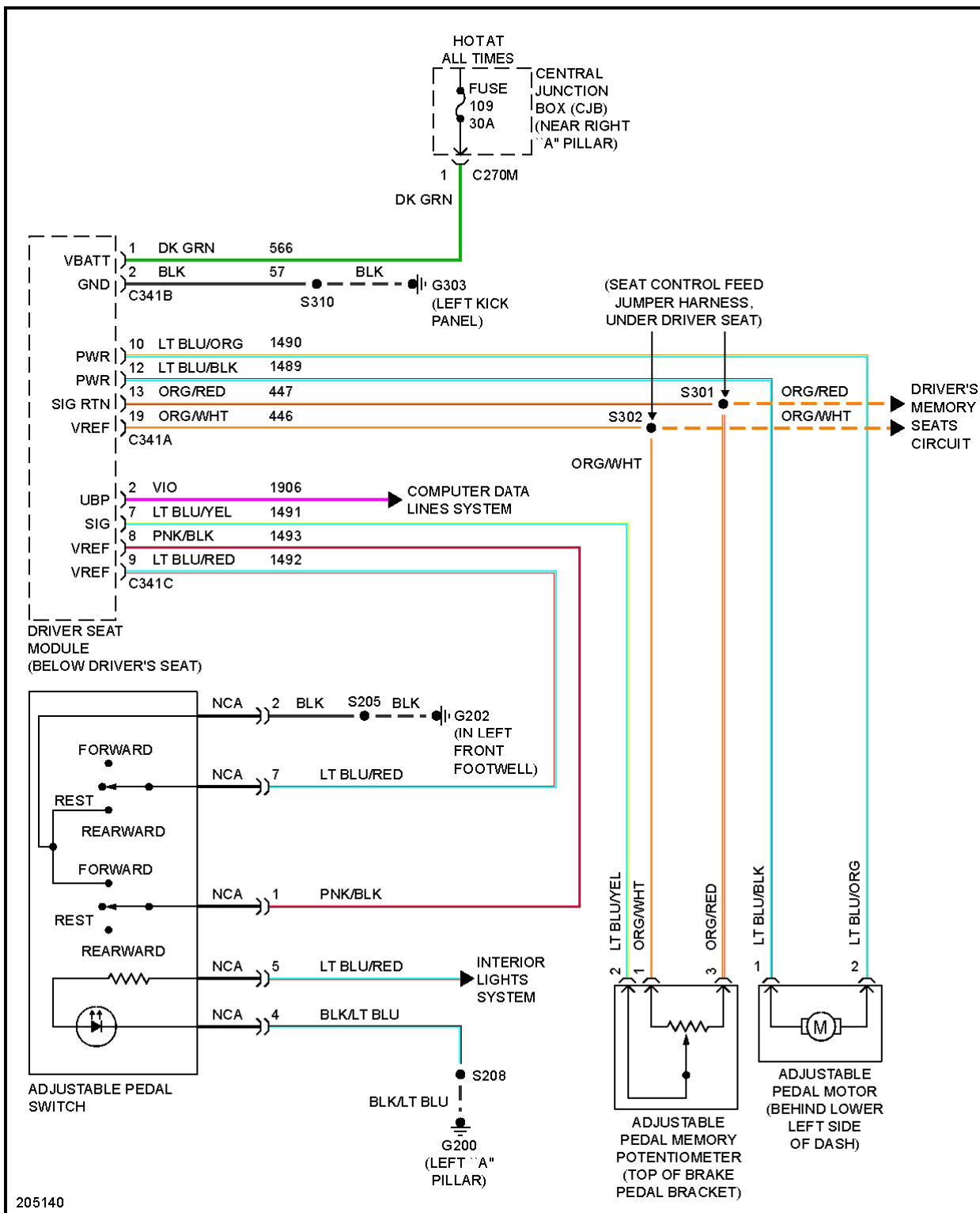


Fig. 52: Instrument Illumination Circuit

MEMORY SYSTEMS

2005 Ford Pickup F150

2005 SYSTEM WIRING DIAGRAMS Ford - Pickup F150



2005 Ford Pickup F150

2005 SYSTEM WIRING DIAGRAMS Ford - Pickup F150

Fig. 53: Adjustable Pedal Circuit

2005 Ford Pickup F150

2005 SYSTEM WIRING DIAGRAMS Ford - Pickup F150

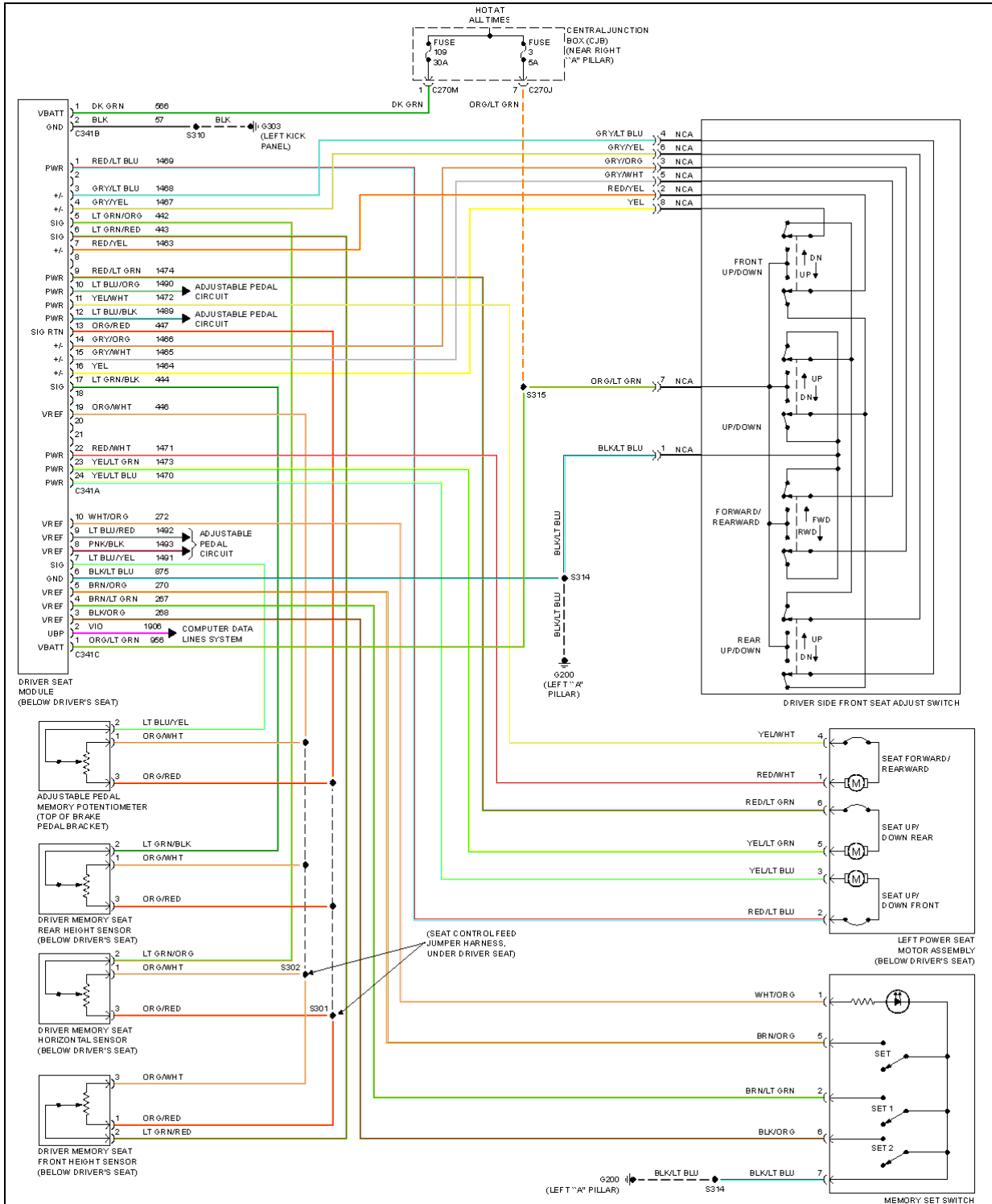


Fig. 54: Driver's Memory Seat Circuit

NAVIGATION

2005 Ford Pickup F150

2005 SYSTEM WIRING DIAGRAMS Ford - Pickup F150

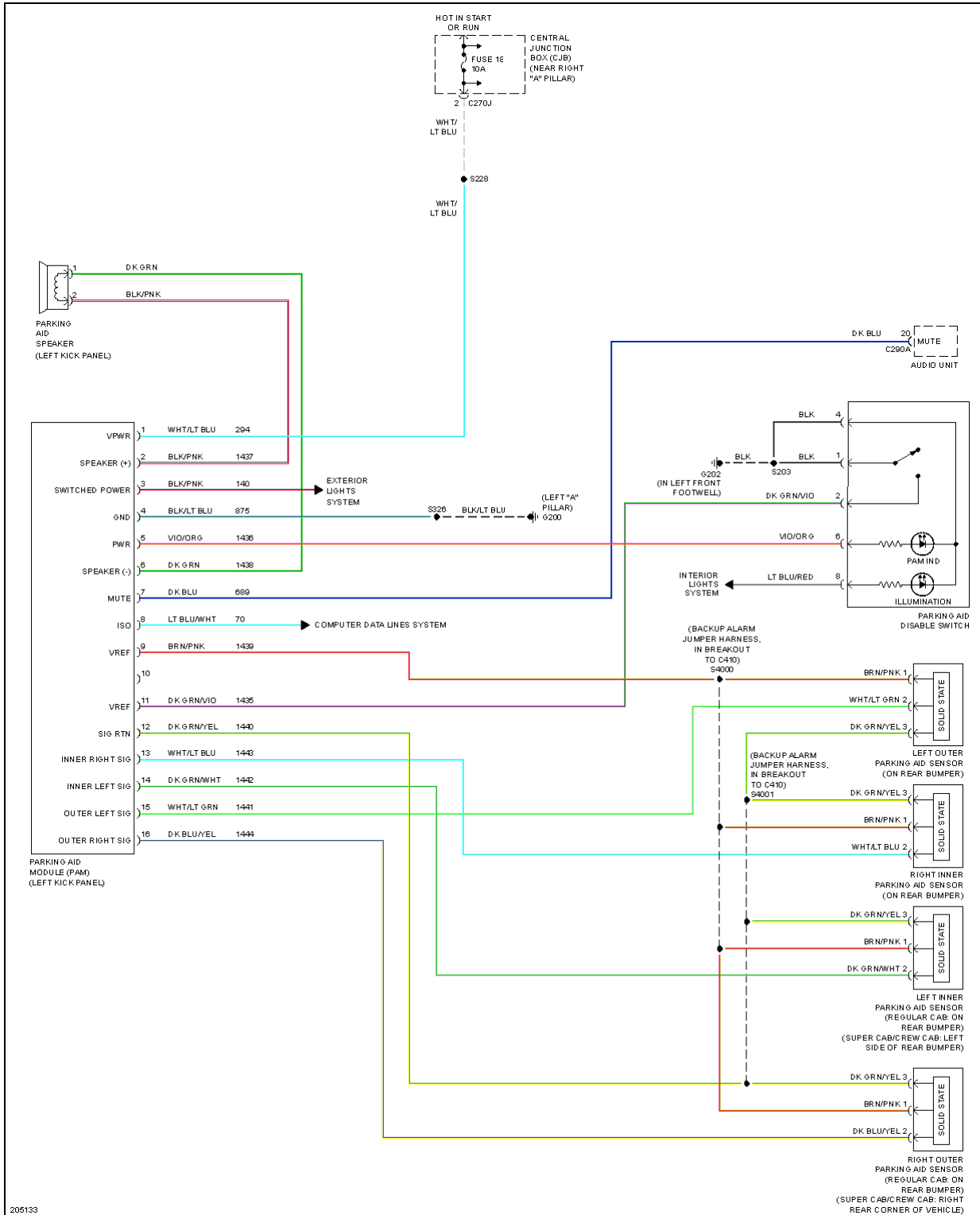
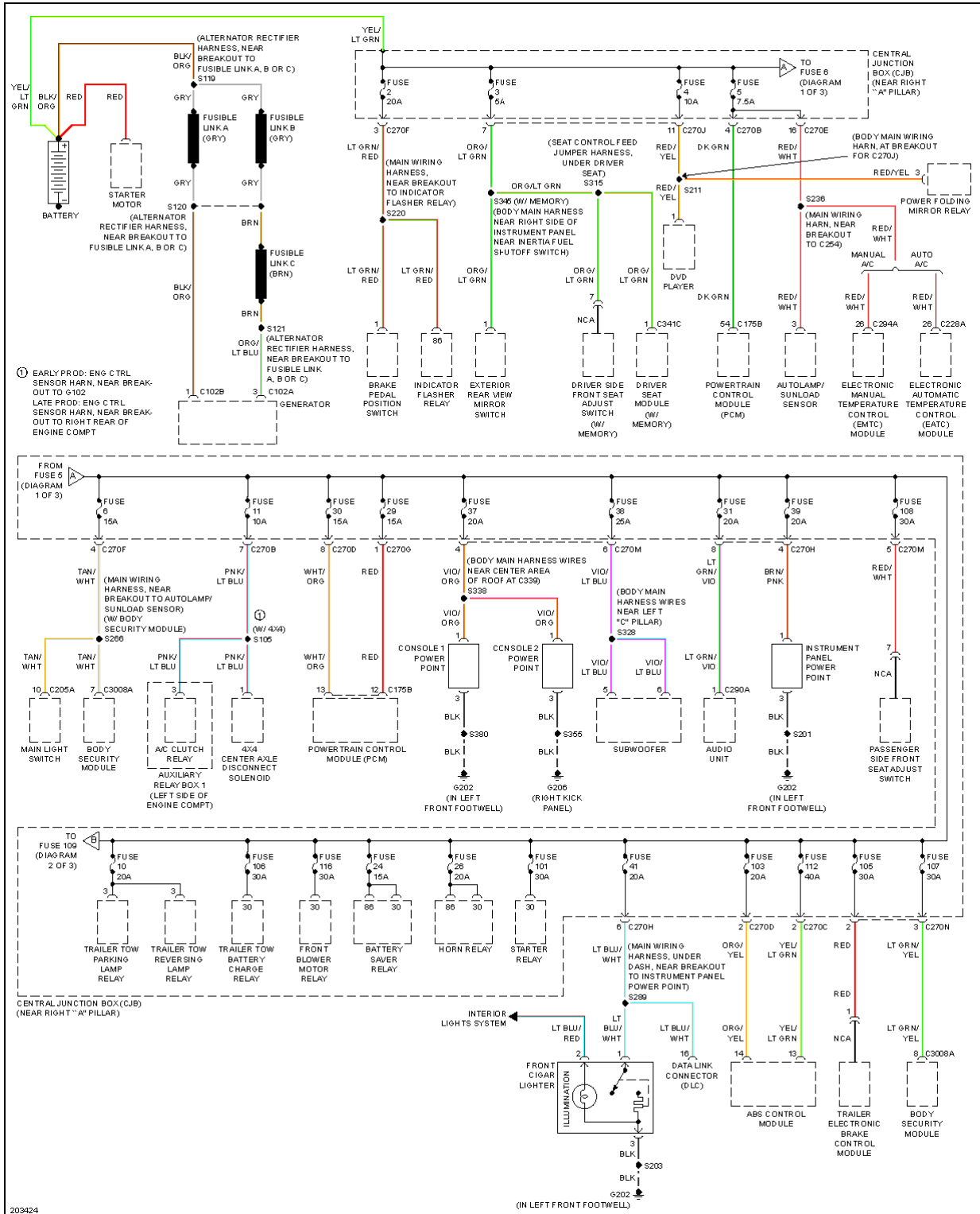


Fig. 55: Parking Assistant Circuit

POWER DISTRIBUTION

2005 Ford Pickup F150

2005 SYSTEM WIRING DIAGRAMS Ford - Pickup F150



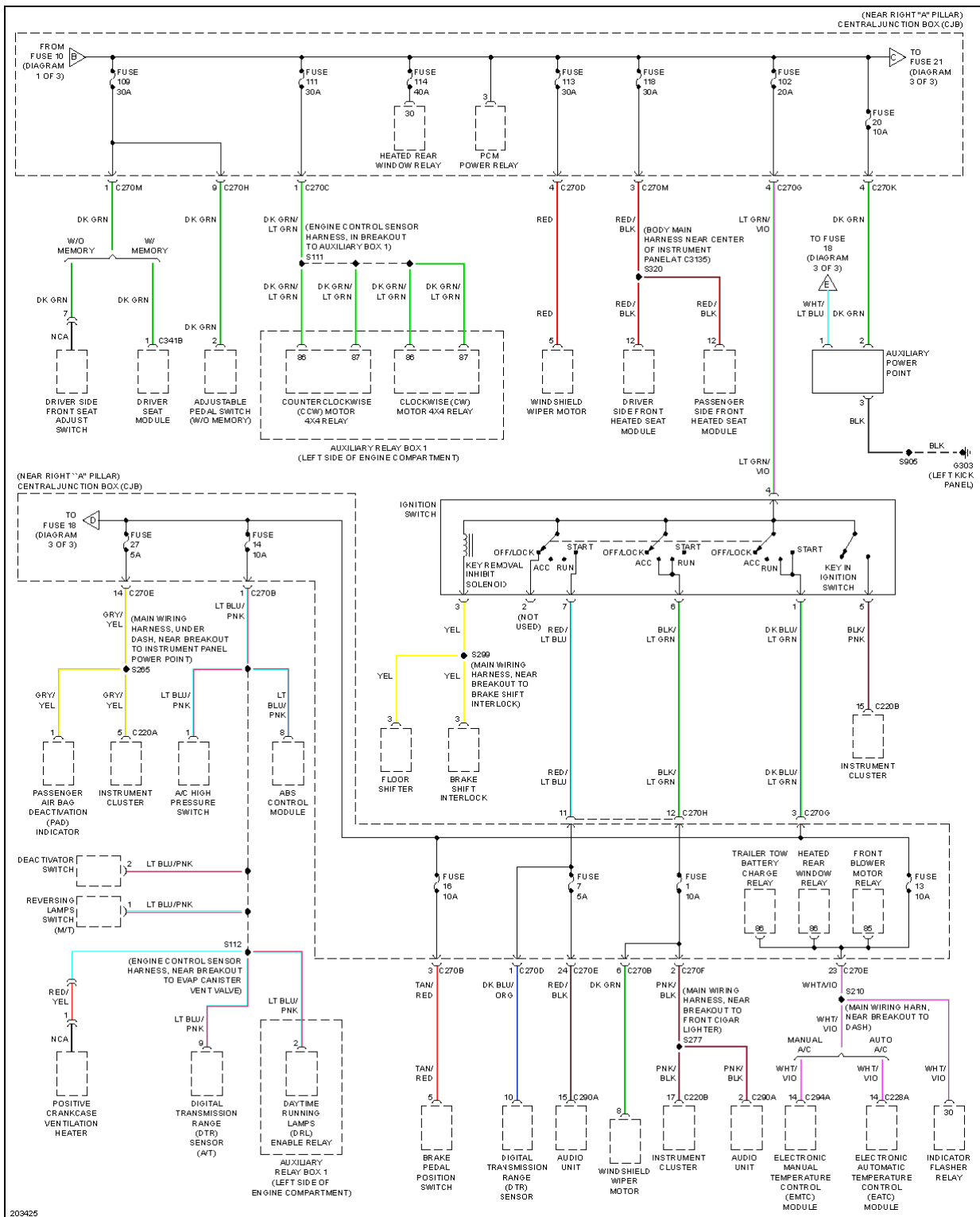
2005 Ford Pickup F150

2005 SYSTEM WIRING DIAGRAMS Ford - Pickup F150

Fig. 56: Power Distribution Circuit (1 of 3)

2005 Ford Pickup F150

2005 SYSTEM WIRING DIAGRAMS Ford - Pickup F150



2005 Ford Pickup F150

2005 SYSTEM WIRING DIAGRAMS Ford - Pickup F150

Fig. 57: Power Distribution Circuit (2 of 3)

2005 Ford Pickup F150

2005 SYSTEM WIRING DIAGRAMS Ford - Pickup F150

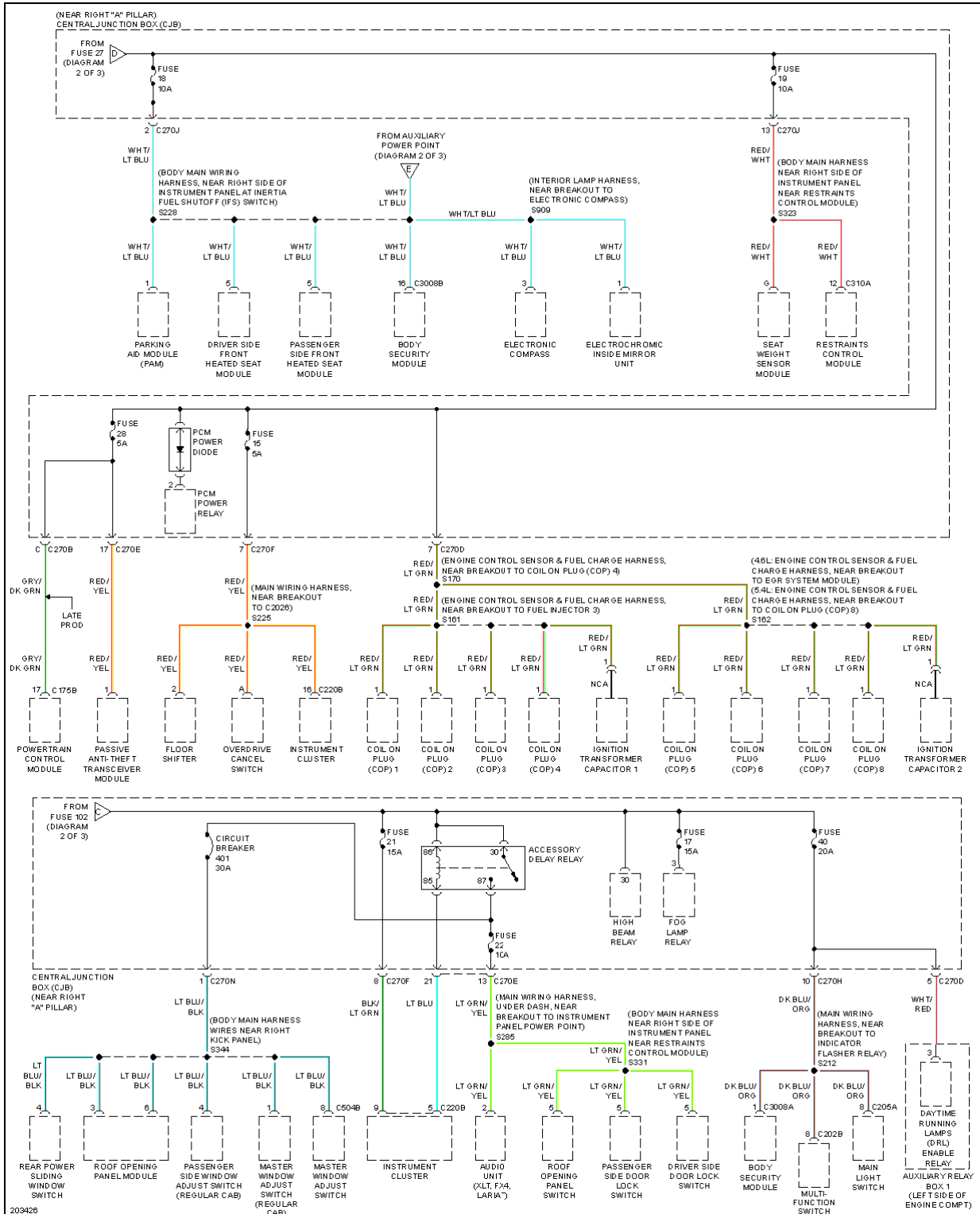
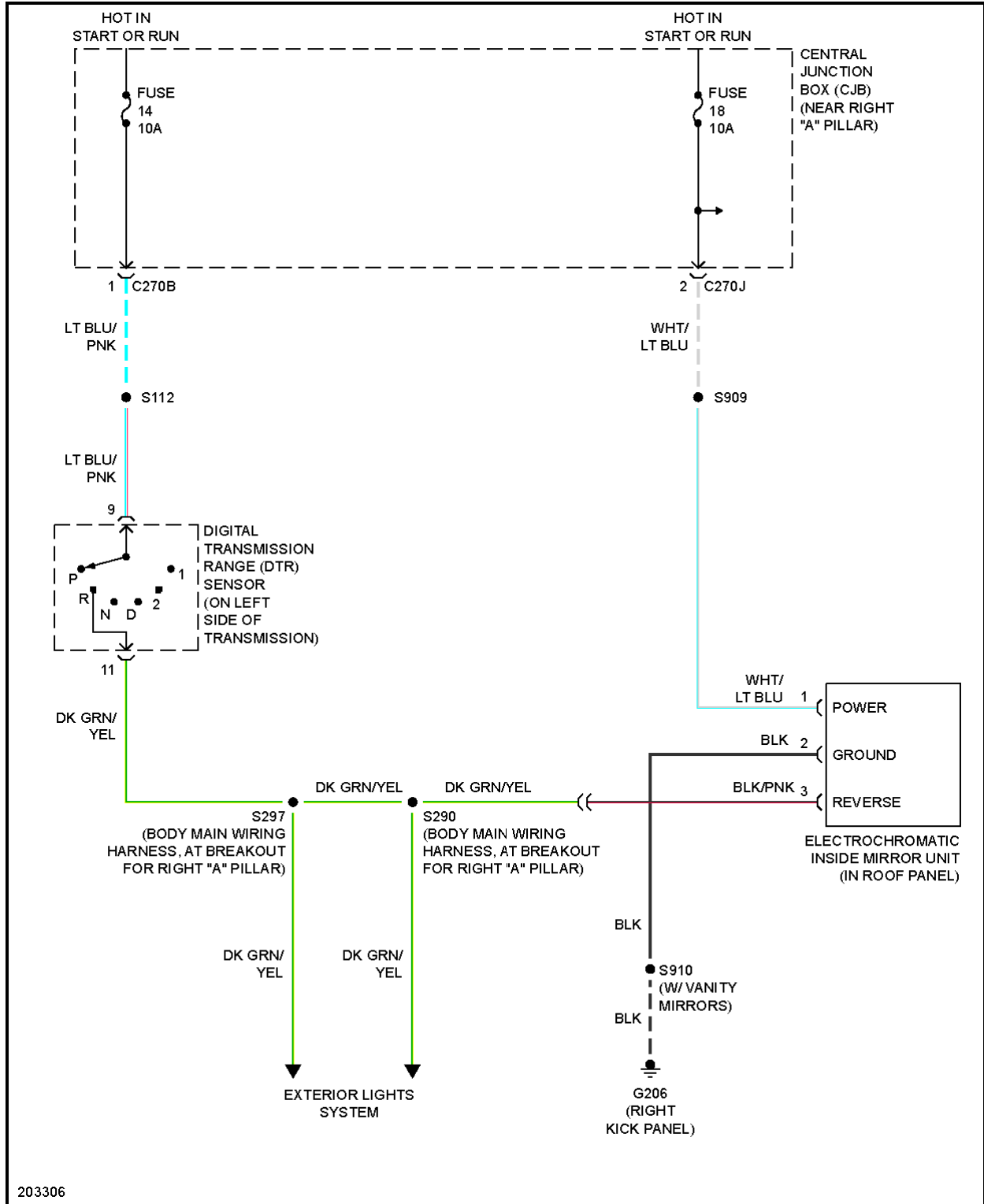


Fig. 58: Power Distribution Circuit (3 of 3)

POWER MIRRORS

2005 Ford Pickup F150

2005 SYSTEM WIRING DIAGRAMS Ford - Pickup F150



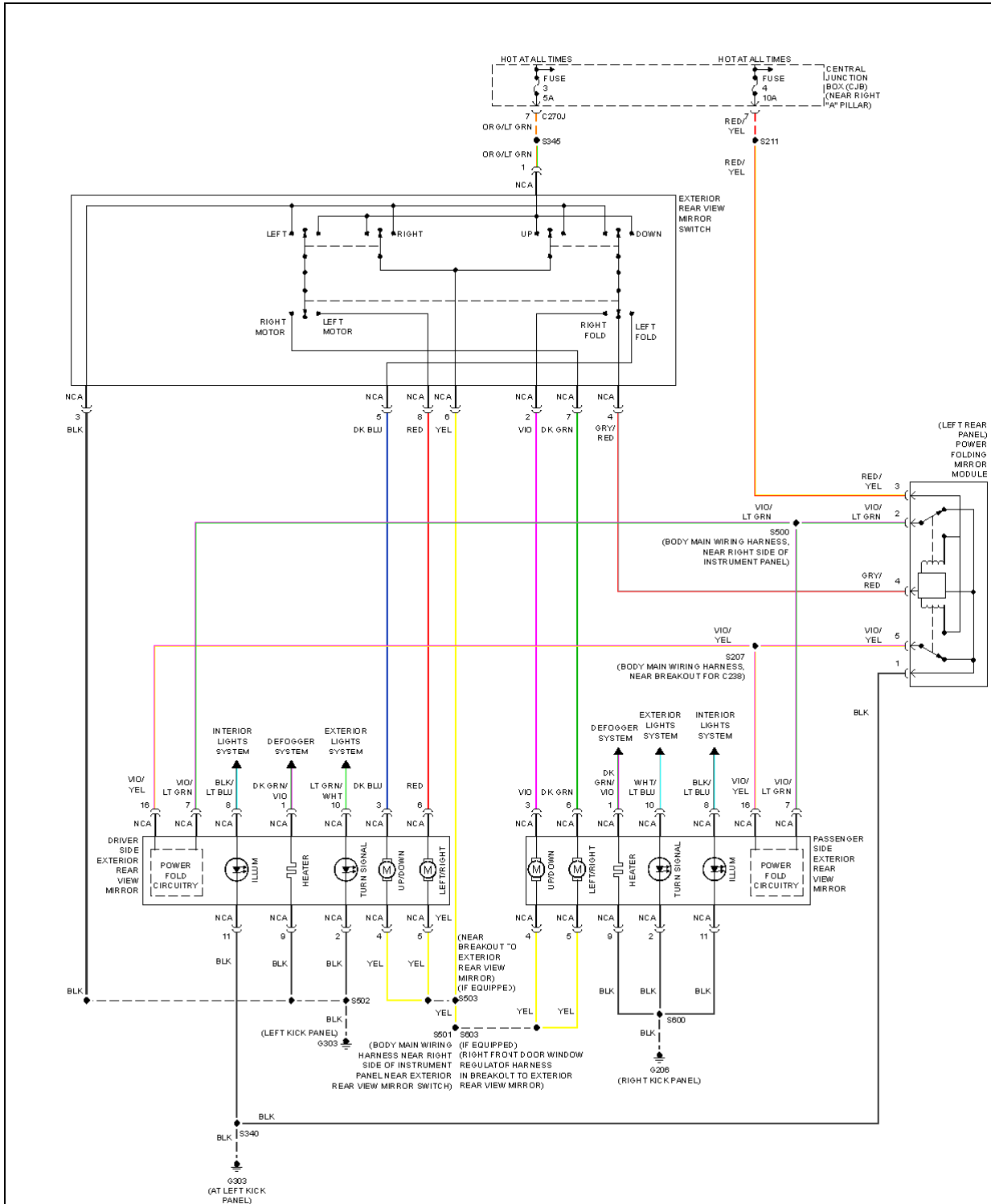
2005 Ford Pickup F150

2005 SYSTEM WIRING DIAGRAMS Ford - Pickup F150

Fig. 59: Electrochromic Mirror Circuit

2005 Ford Pickup F150

2005 SYSTEM WIRING DIAGRAMS Ford - Pickup F150



2005 Ford Pickup F150

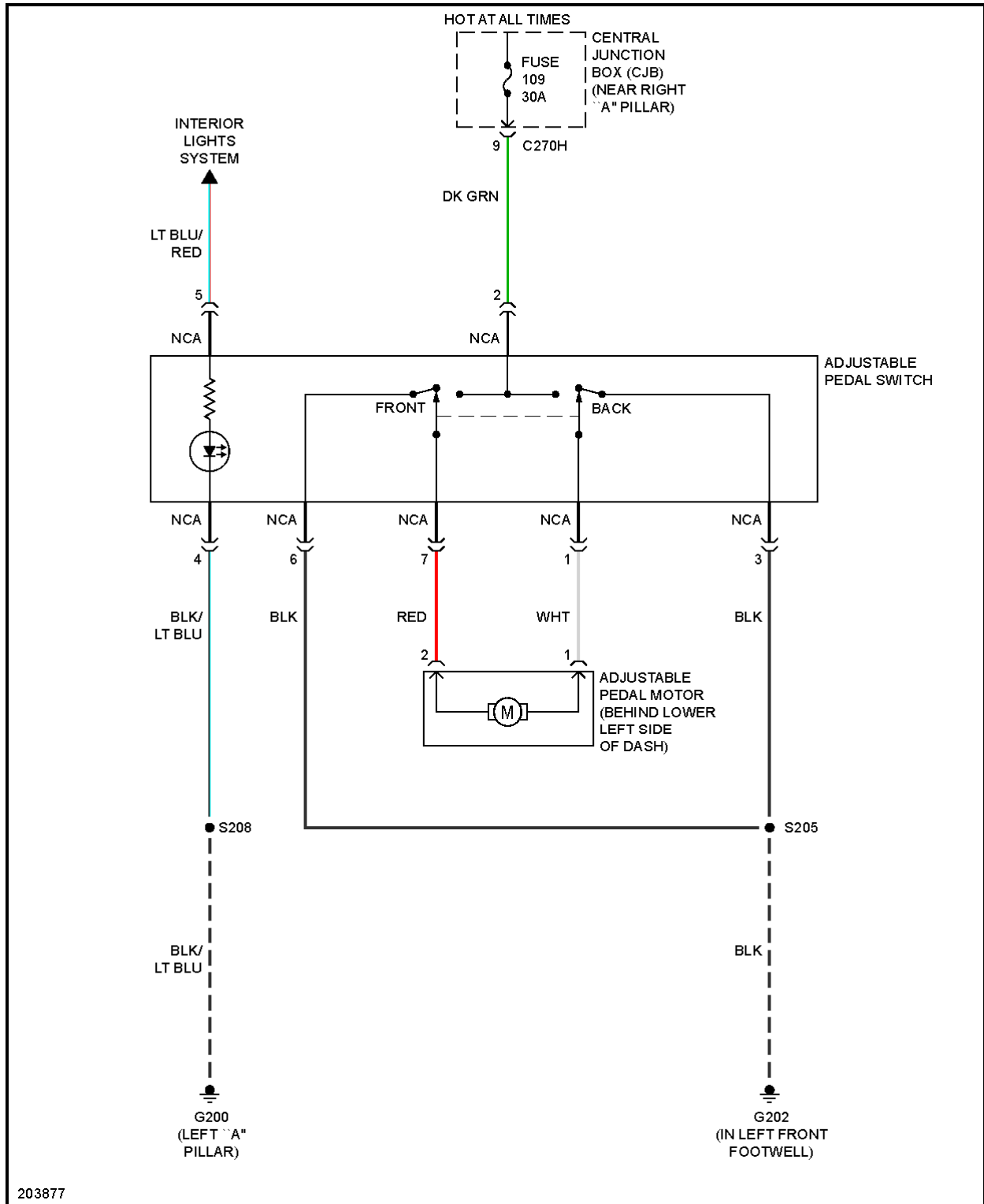
2005 SYSTEM WIRING DIAGRAMS Ford - Pickup F150

Fig. 60: Power Mirror Circuit

POWER SEATS

2005 Ford Pickup F150

2005 SYSTEM WIRING DIAGRAMS Ford - Pickup F150



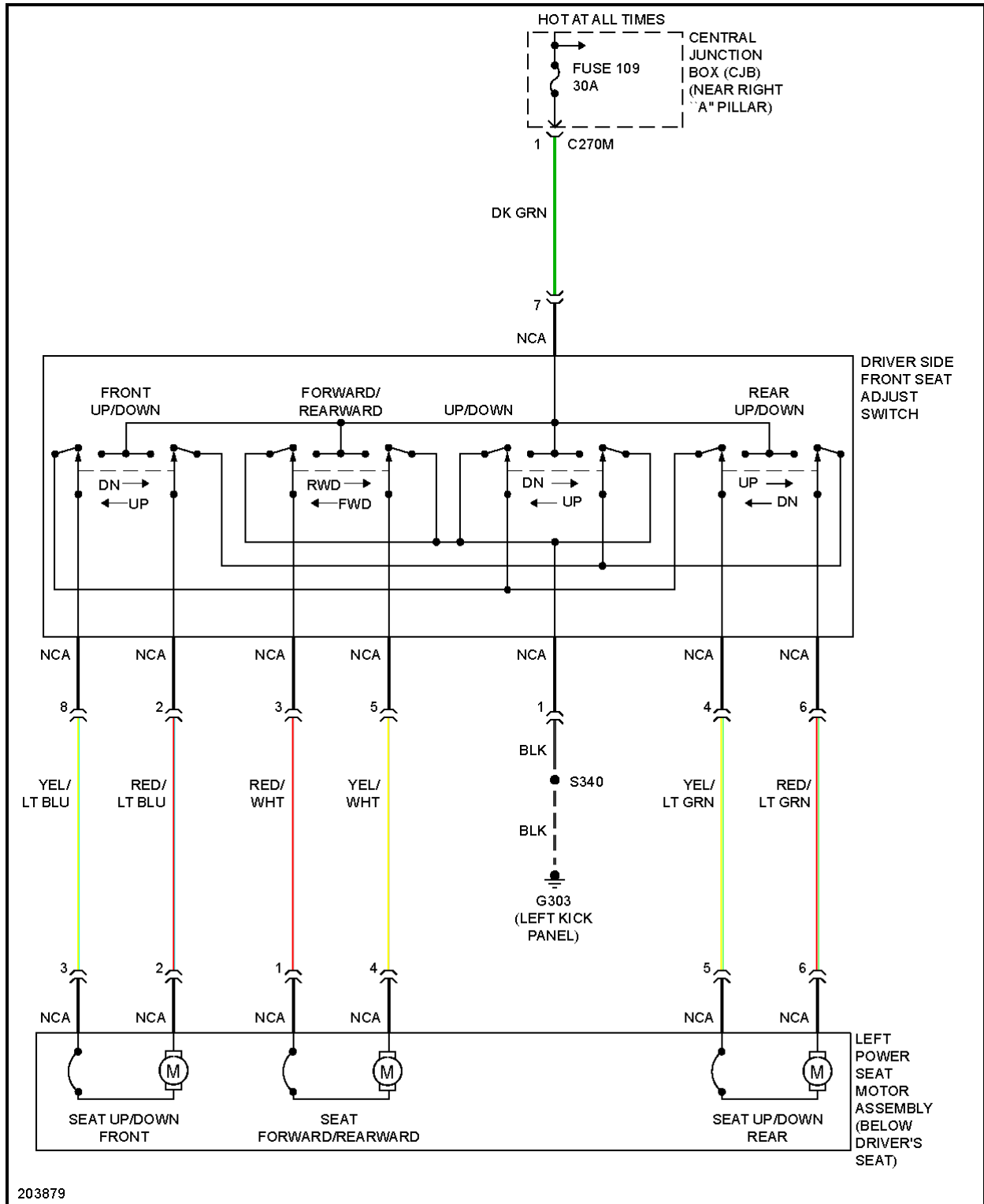
2005 Ford Pickup F150

2005 SYSTEM WIRING DIAGRAMS Ford - Pickup F150

Fig. 61: Adjustable Pedal Circuit

2005 Ford Pickup F150

2005 SYSTEM WIRING DIAGRAMS Ford - Pickup F150



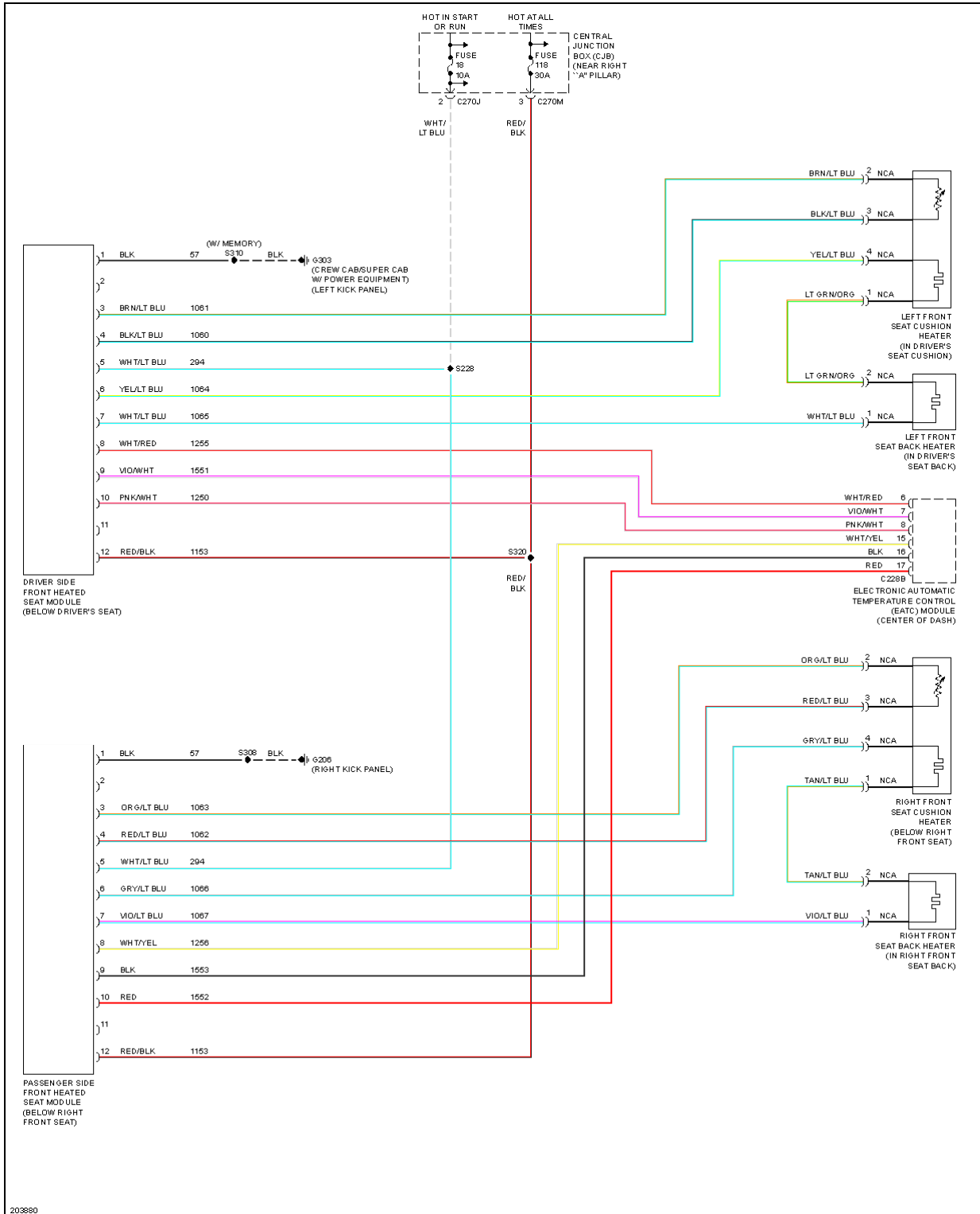
2005 Ford Pickup F150

2005 SYSTEM WIRING DIAGRAMS Ford - Pickup F150

Fig. 62: Driver Power Seat Circuit

2005 Ford Pickup F150

2005 SYSTEM WIRING DIAGRAMS Ford - Pickup F150



2005 Ford Pickup F150

2005 SYSTEM WIRING DIAGRAMS Ford - Pickup F150

Fig. 63: Heated Seats Circuit

2005 Ford Pickup F150

2005 SYSTEM WIRING DIAGRAMS Ford - Pickup F150

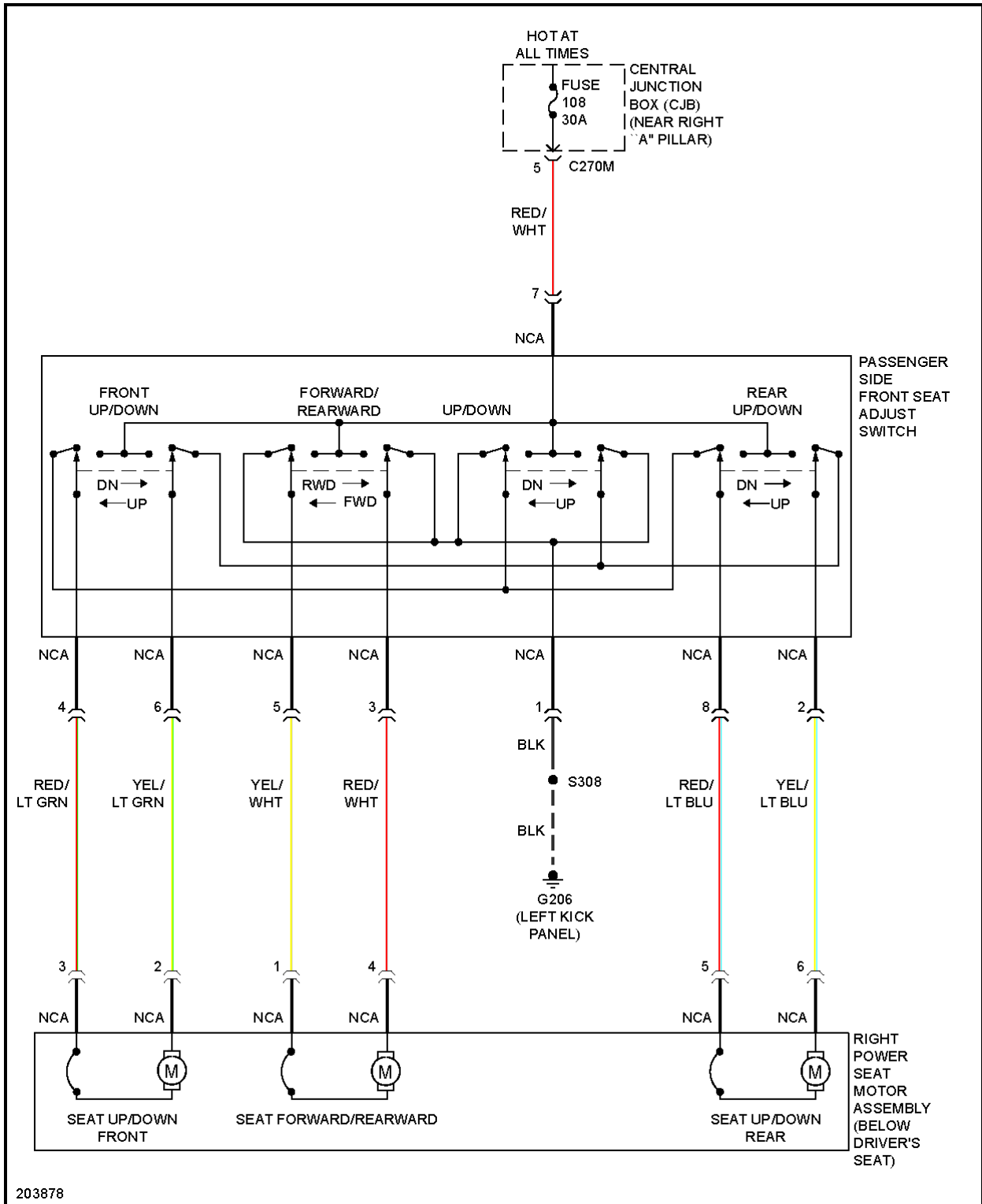
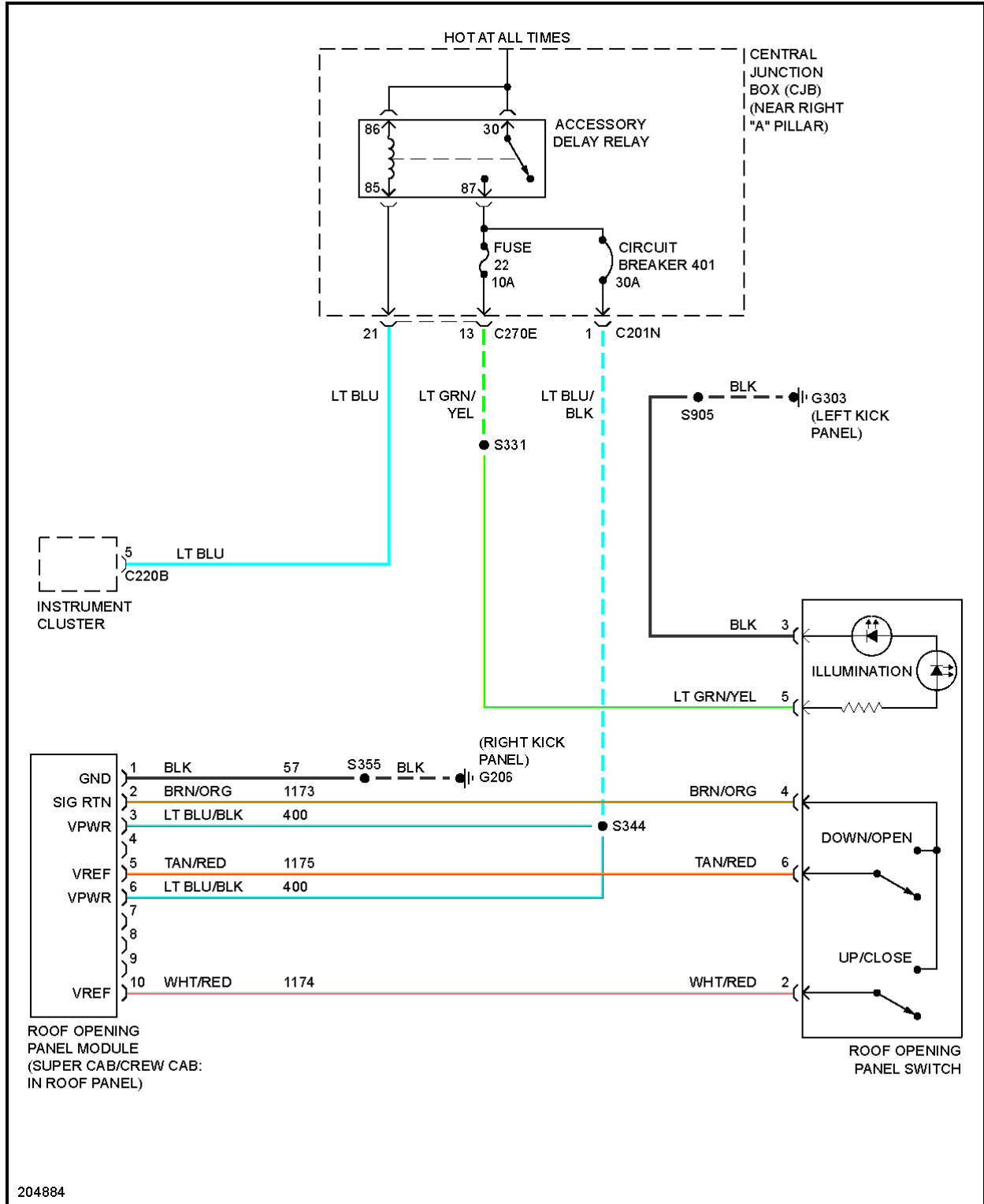


Fig. 64: Passenger Power Seat Circuit

POWER TOP/SUNROOF

2005 Ford Pickup F150

2005 SYSTEM WIRING DIAGRAMS Ford - Pickup F150



2005 Ford Pickup F150

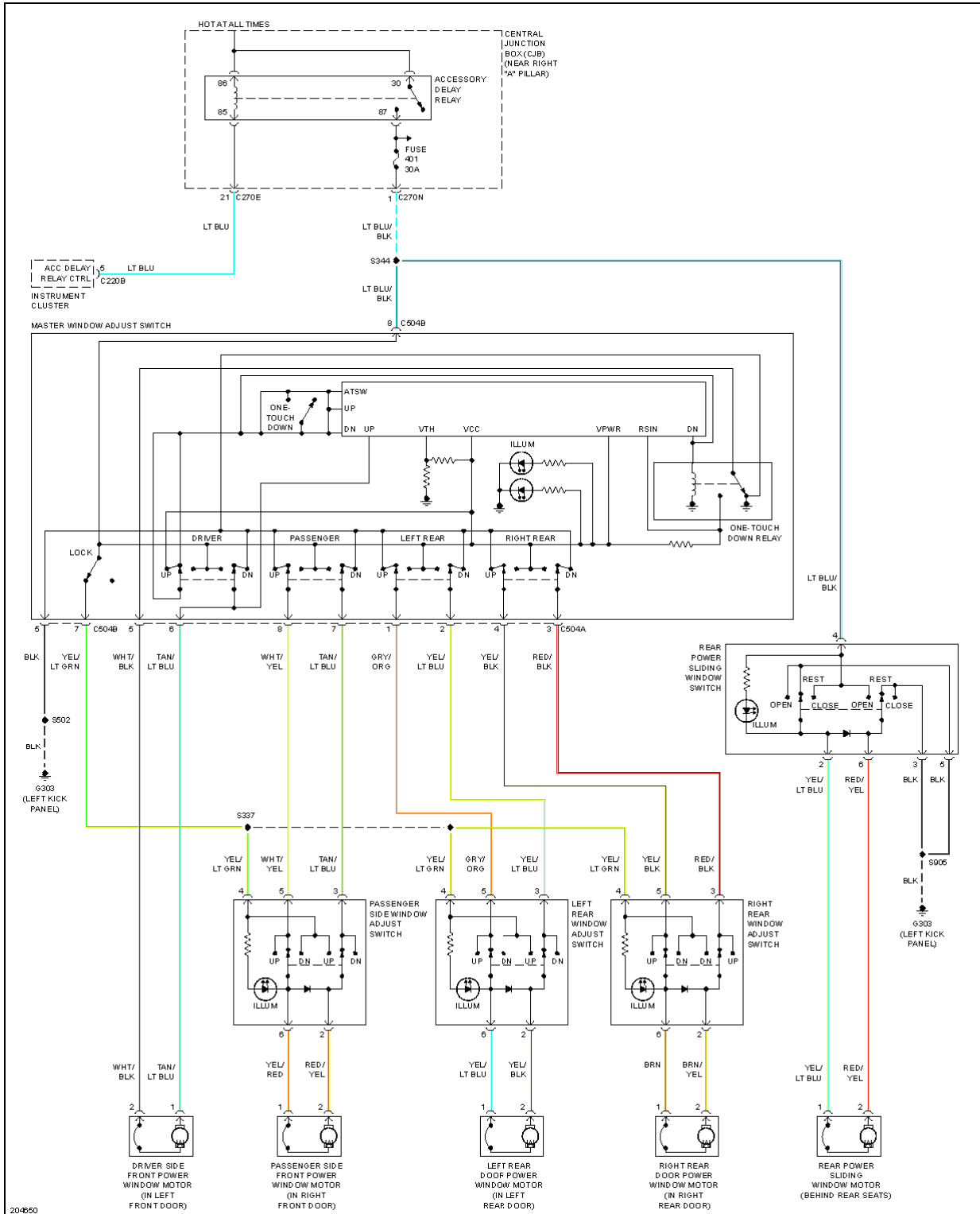
2005 SYSTEM WIRING DIAGRAMS Ford - Pickup F150

Fig. 65: Power Top/Sunroof Circuit

POWER WINDOWS

2005 Ford Pickup F150

2005 SYSTEM WIRING DIAGRAMS Ford - Pickup F150



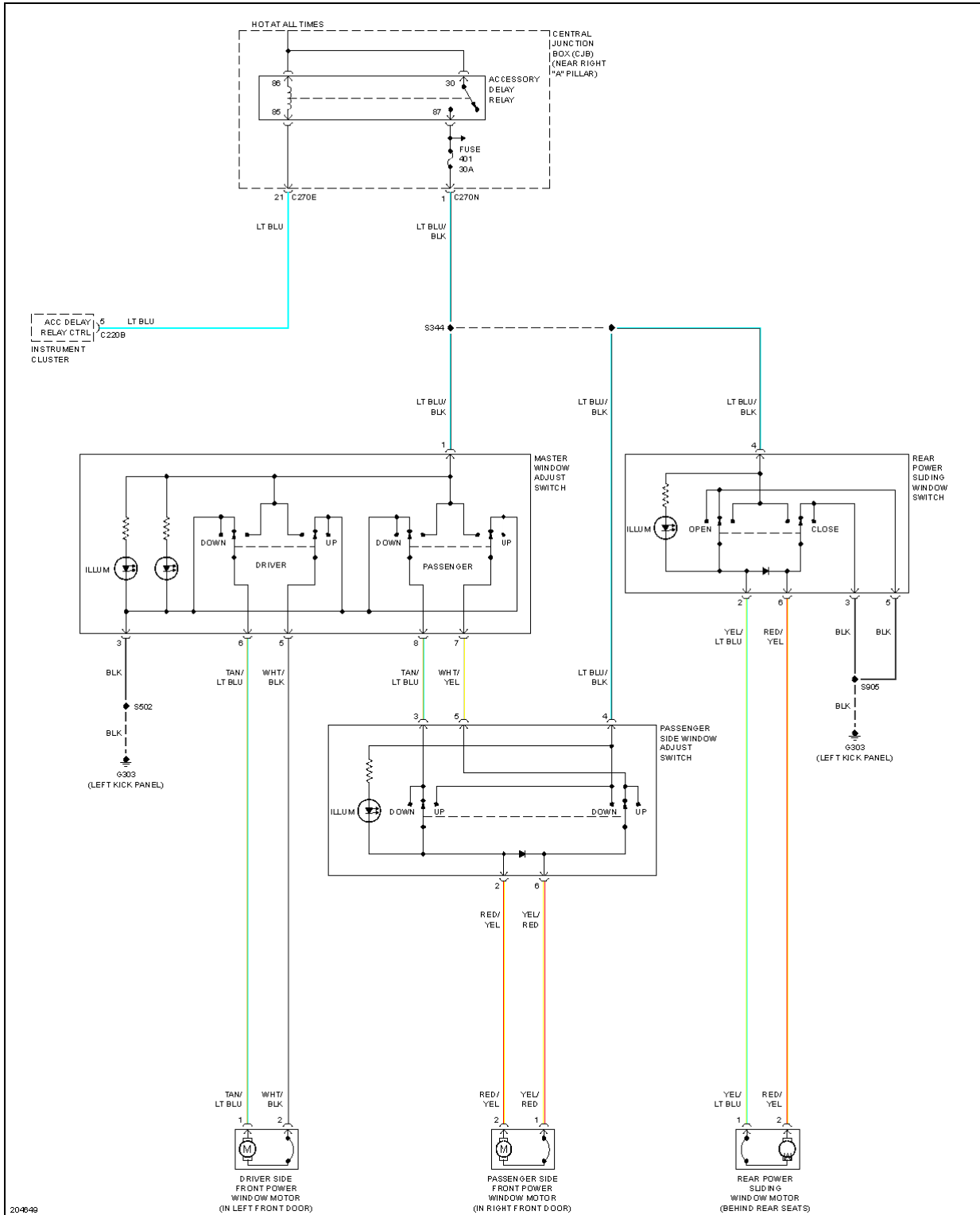
2005 Ford Pickup F150

2005 SYSTEM WIRING DIAGRAMS Ford - Pickup F150

Fig. 66: Power Windows Circuit, Crew Cab & Super Cab

2005 Ford Pickup F150

2005 SYSTEM WIRING DIAGRAMS Ford - Pickup F150



2005 Ford Pickup F150

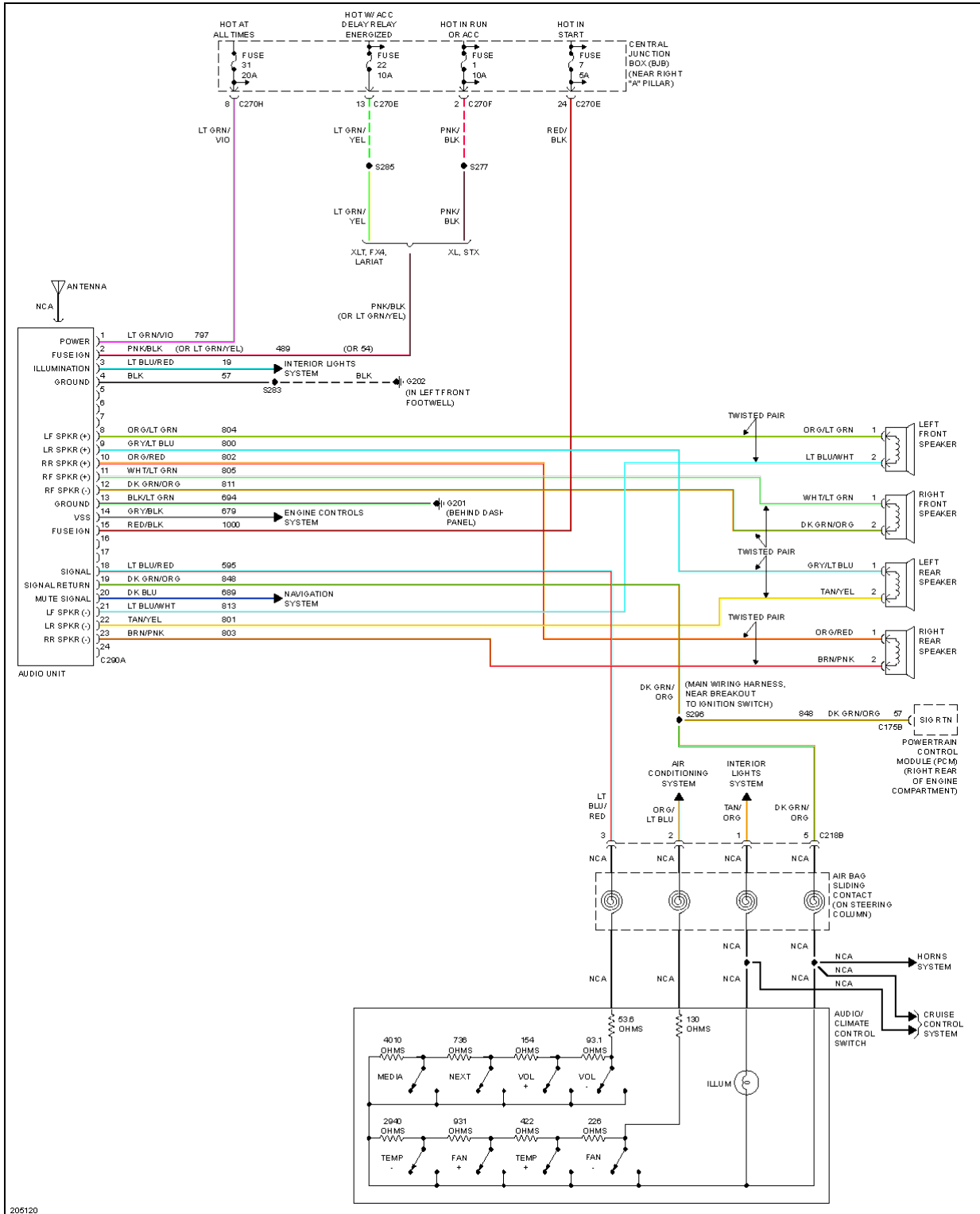
2005 SYSTEM WIRING DIAGRAMS Ford - Pickup F150

Fig. 67: Power Windows Circuit, Regular Cab

RADIO

2005 Ford Pickup F150

2005 SYSTEM WIRING DIAGRAMS Ford - Pickup F150



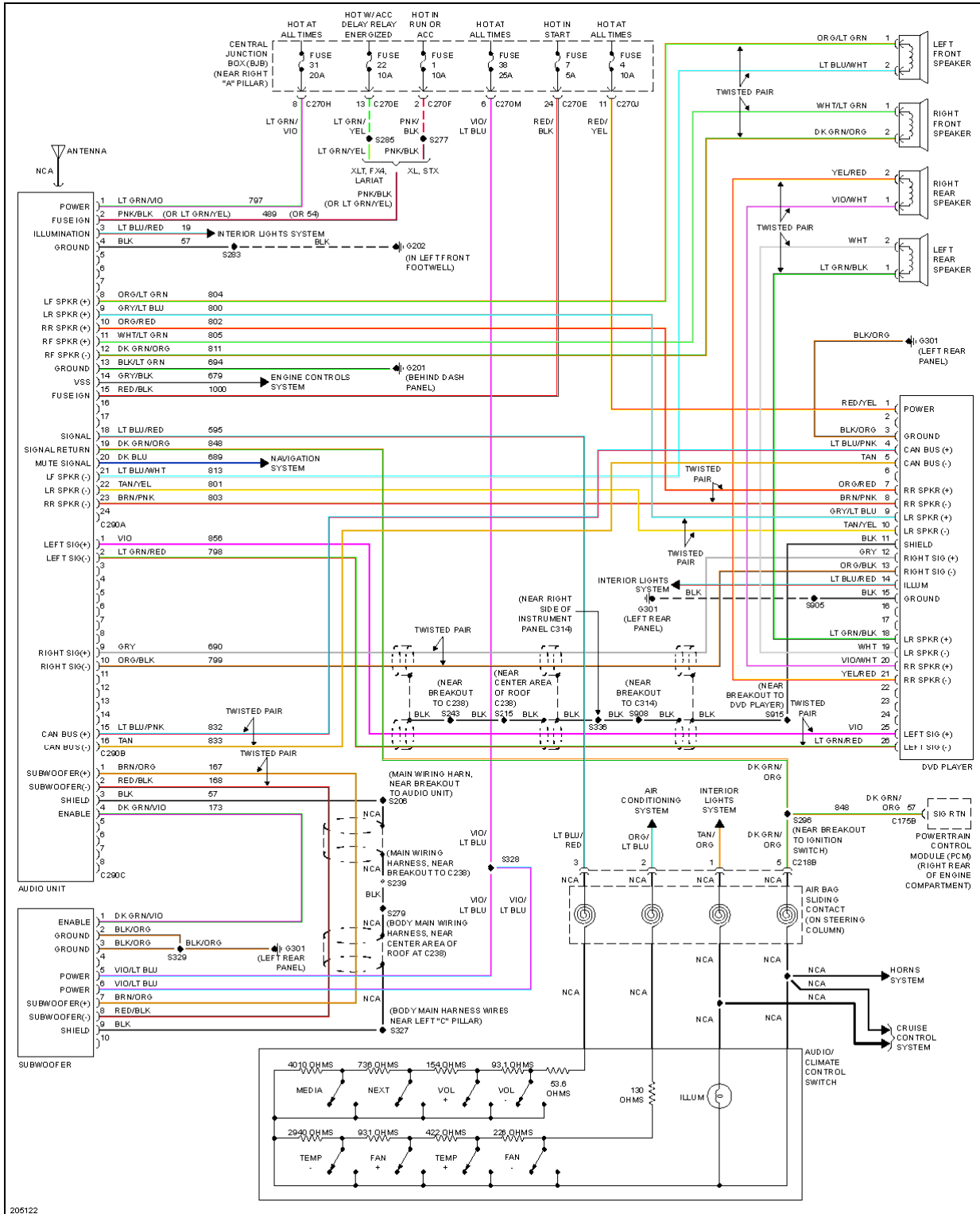
2005 Ford Pickup F150

2005 SYSTEM WIRING DIAGRAMS Ford - Pickup F150

Fig. 68: Base Radio Circuit

2005 Ford Pickup F150

2005 SYSTEM WIRING DIAGRAMS Ford - Pickup F150



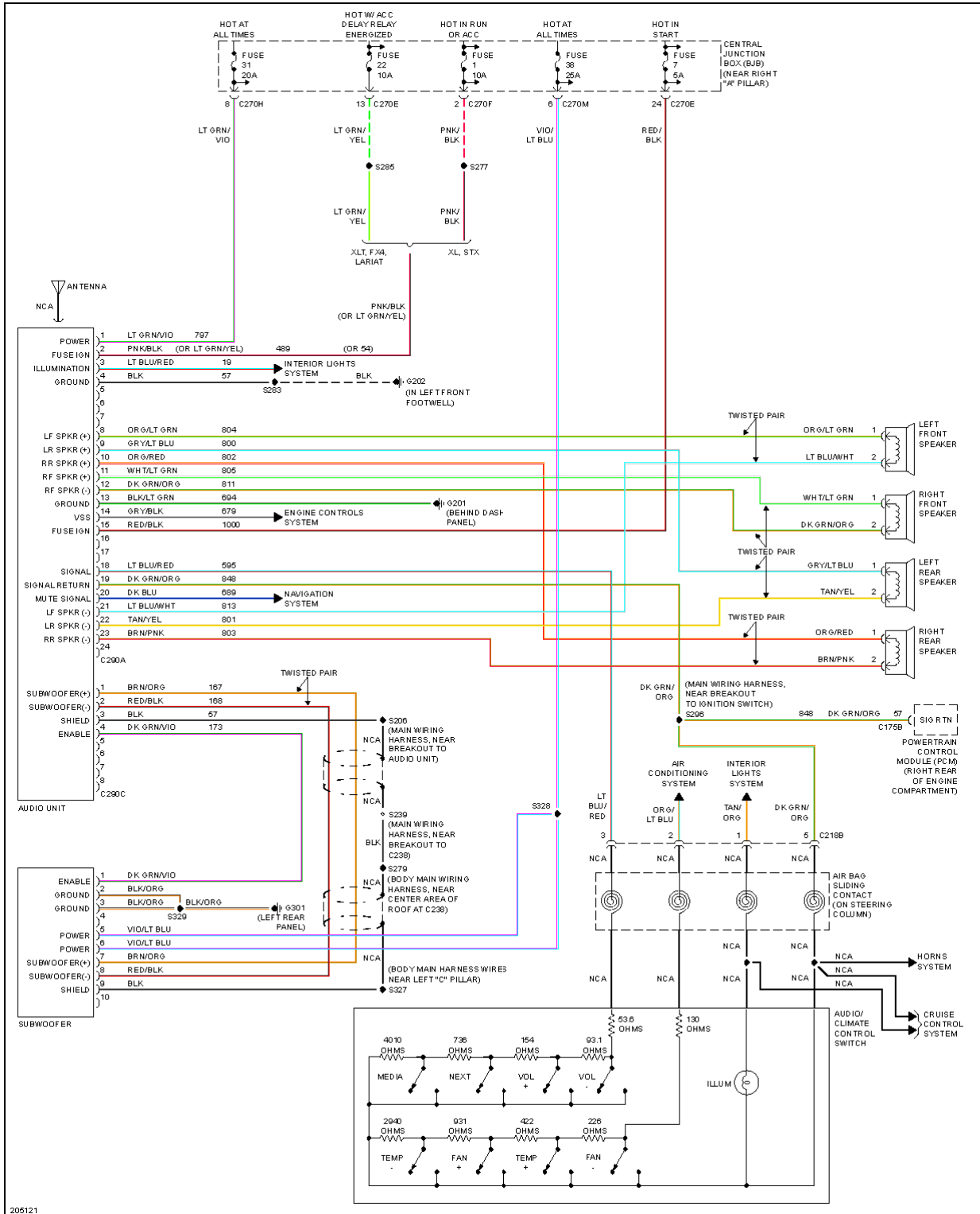
2005 Ford Pickup F150

2005 SYSTEM WIRING DIAGRAMS Ford - Pickup F150

Fig. 69: Premium Sound Radio Circuit, W/ DVD

2005 Ford Pickup F150

2005 SYSTEM WIRING DIAGRAMS Ford - Pickup F150



2005 Ford Pickup F150

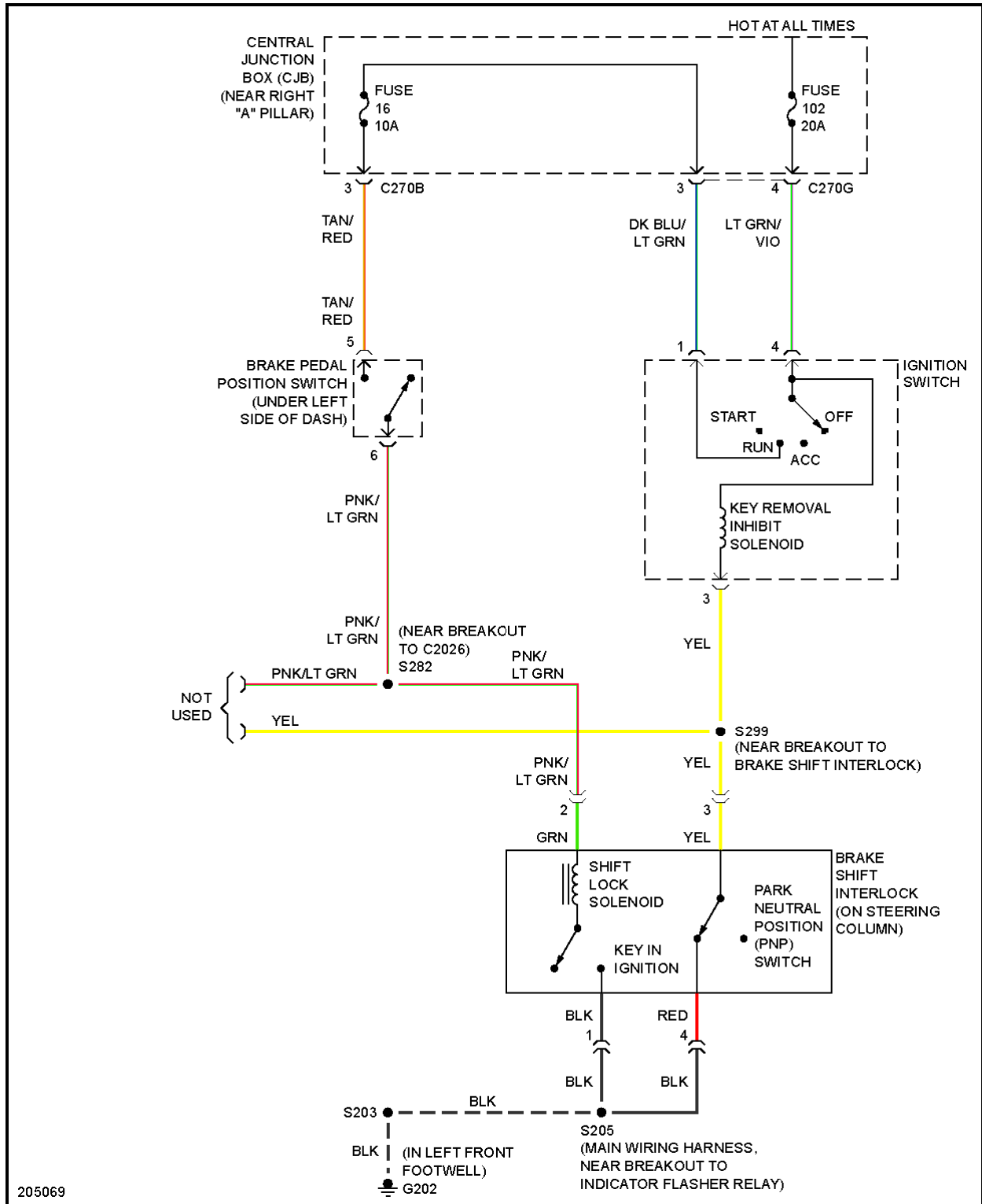
2005 SYSTEM WIRING DIAGRAMS Ford - Pickup F150

Fig. 70: Premium Sound Radio Circuit, W/O DVD

SHIFT INTERLOCK

2005 Ford Pickup F150

2005 SYSTEM WIRING DIAGRAMS Ford - Pickup F150



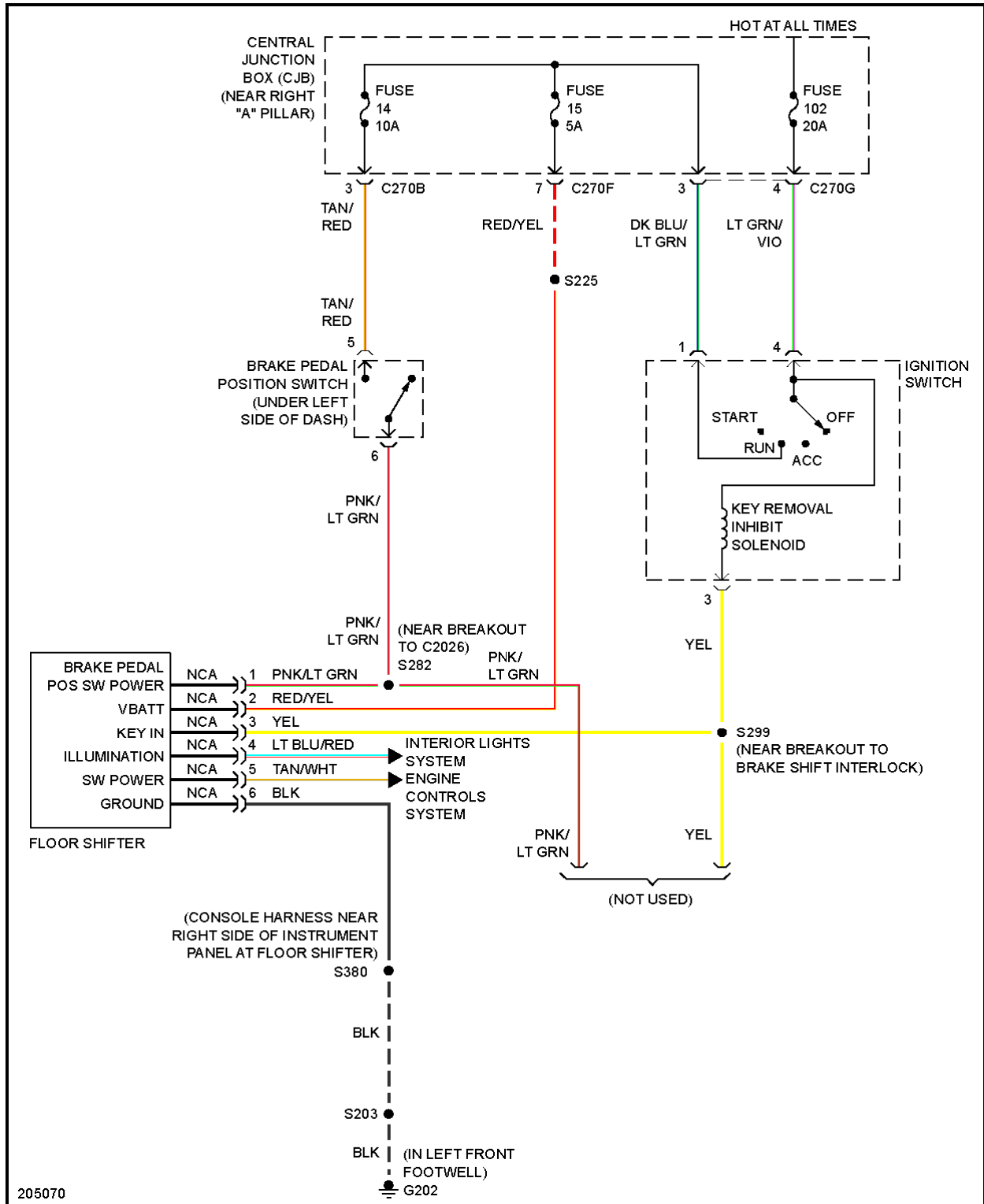
2005 Ford Pickup F150

2005 SYSTEM WIRING DIAGRAMS Ford - Pickup F150

Fig. 71: Shift Interlock Circuit, W/ Column Shift

2005 Ford Pickup F150

2005 SYSTEM WIRING DIAGRAMS Ford - Pickup F150



2005 Ford Pickup F150

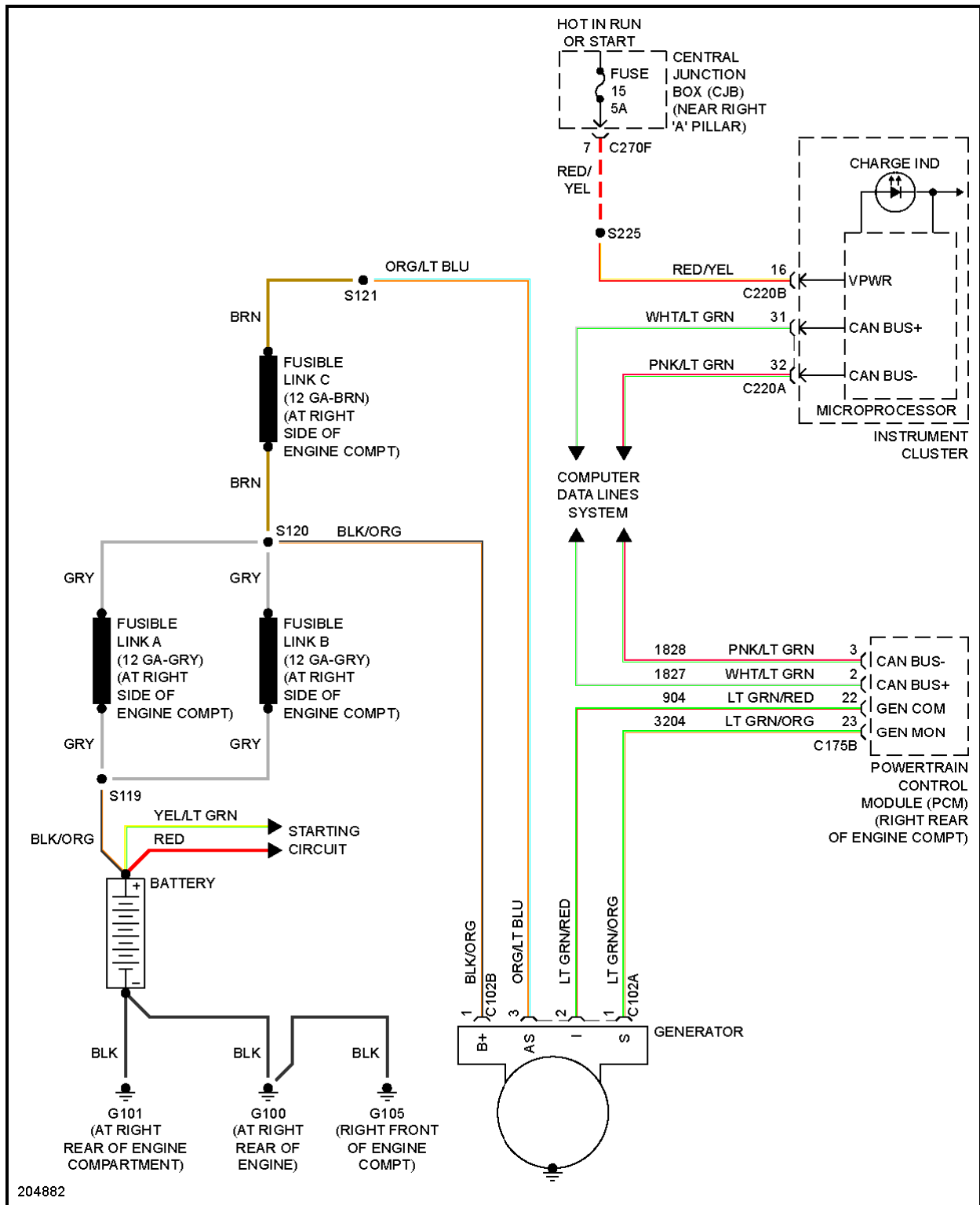
2005 SYSTEM WIRING DIAGRAMS Ford - Pickup F150

Fig. 72: Shift Interlock Circuit, W/ Floor Shift

STARTING/CHARGING

2005 Ford Pickup F150

2005 SYSTEM WIRING DIAGRAMS Ford - Pickup F150



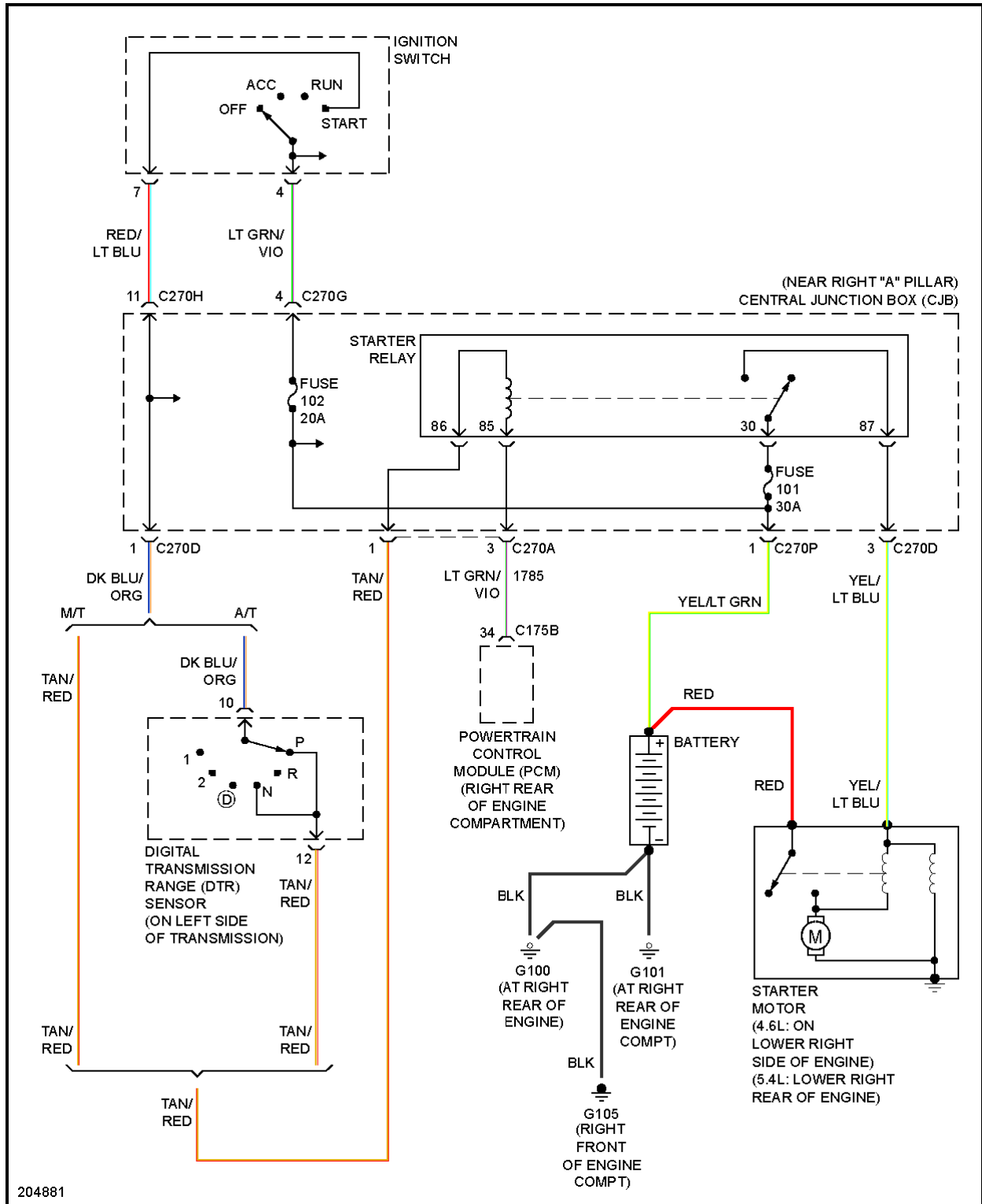
2005 Ford Pickup F150

2005 SYSTEM WIRING DIAGRAMS Ford - Pickup F150

Fig. 73: Charging Circuit

2005 Ford Pickup F150

2005 SYSTEM WIRING DIAGRAMS Ford - Pickup F150



2005 Ford Pickup F150

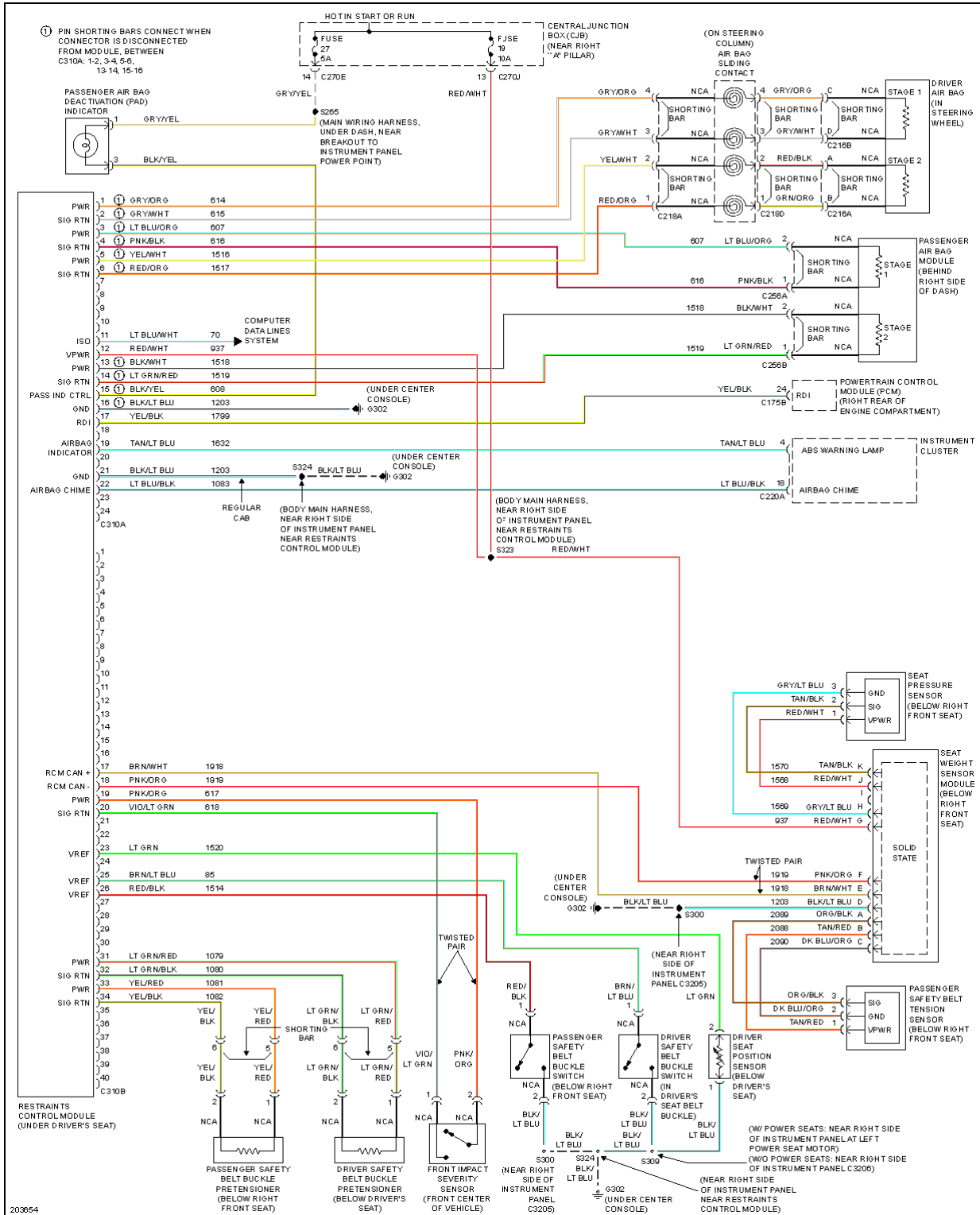
2005 SYSTEM WIRING DIAGRAMS Ford - Pickup F150

Fig. 74: Starting Circuit

SUPPLEMENTAL RESTRAINTS

2005 Ford Pickup F150

2005 SYSTEM WIRING DIAGRAMS Ford - Pickup F150



2005 Ford Pickup F150

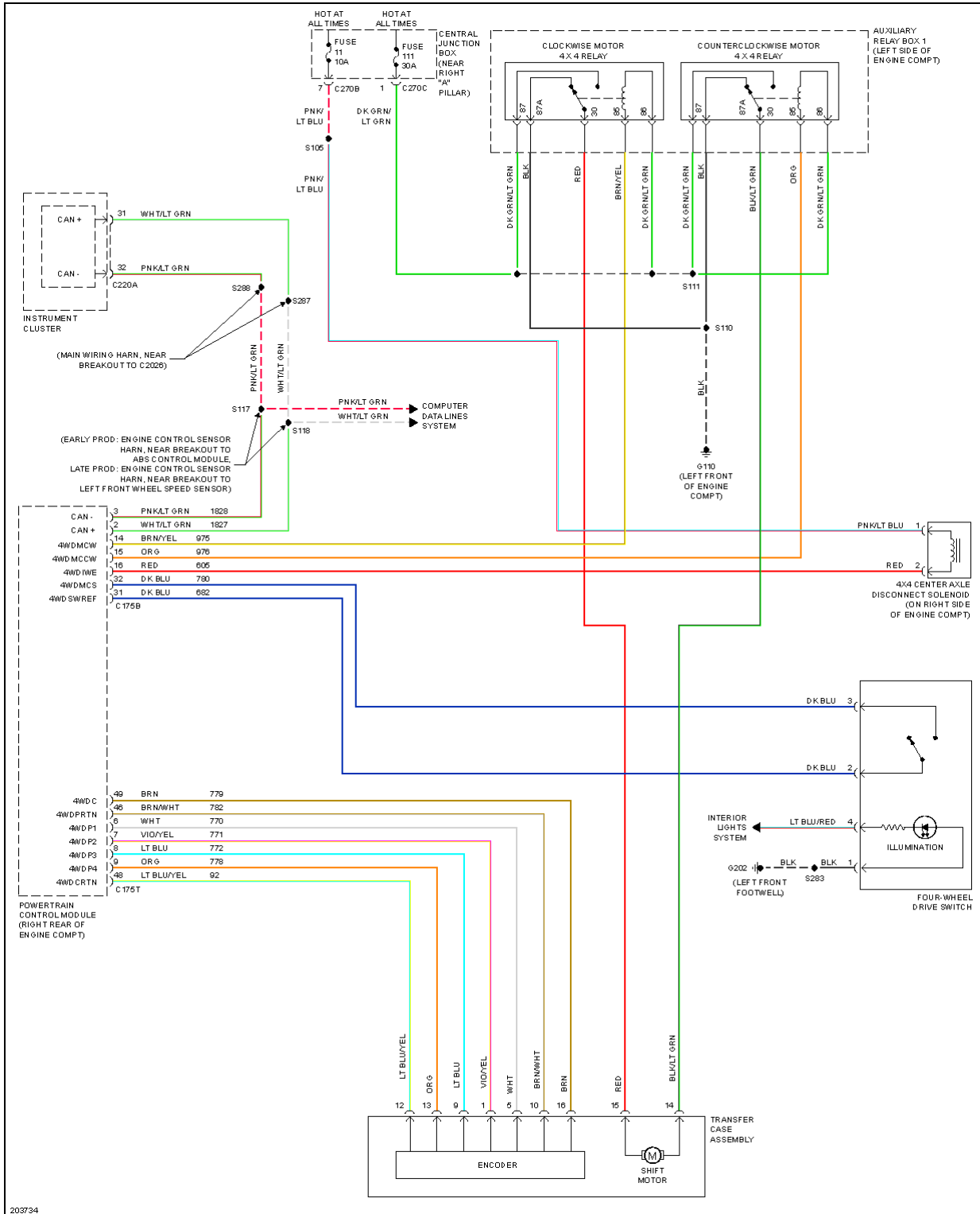
2005 SYSTEM WIRING DIAGRAMS Ford - Pickup F150

Fig. 75: Supplemental Restraints Circuit

TRANSMISSION

2005 Ford Pickup F150

2005 SYSTEM WIRING DIAGRAMS Ford - Pickup F150



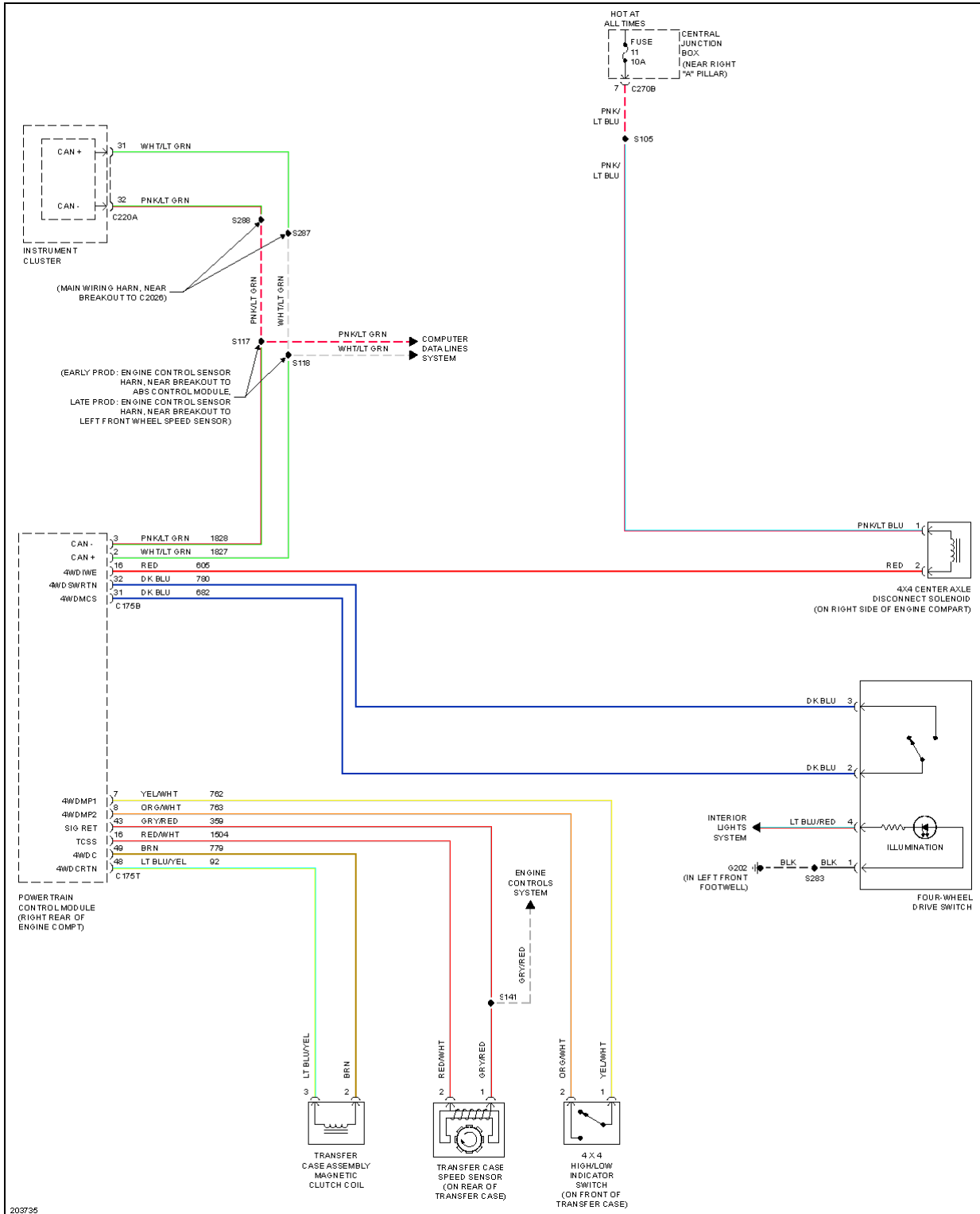
2005 Ford Pickup F150

2005 SYSTEM WIRING DIAGRAMS Ford - Pickup F150

Fig. 76: 4WD Circuit, Electronic

2005 Ford Pickup F150

2005 SYSTEM WIRING DIAGRAMS Ford - Pickup F150



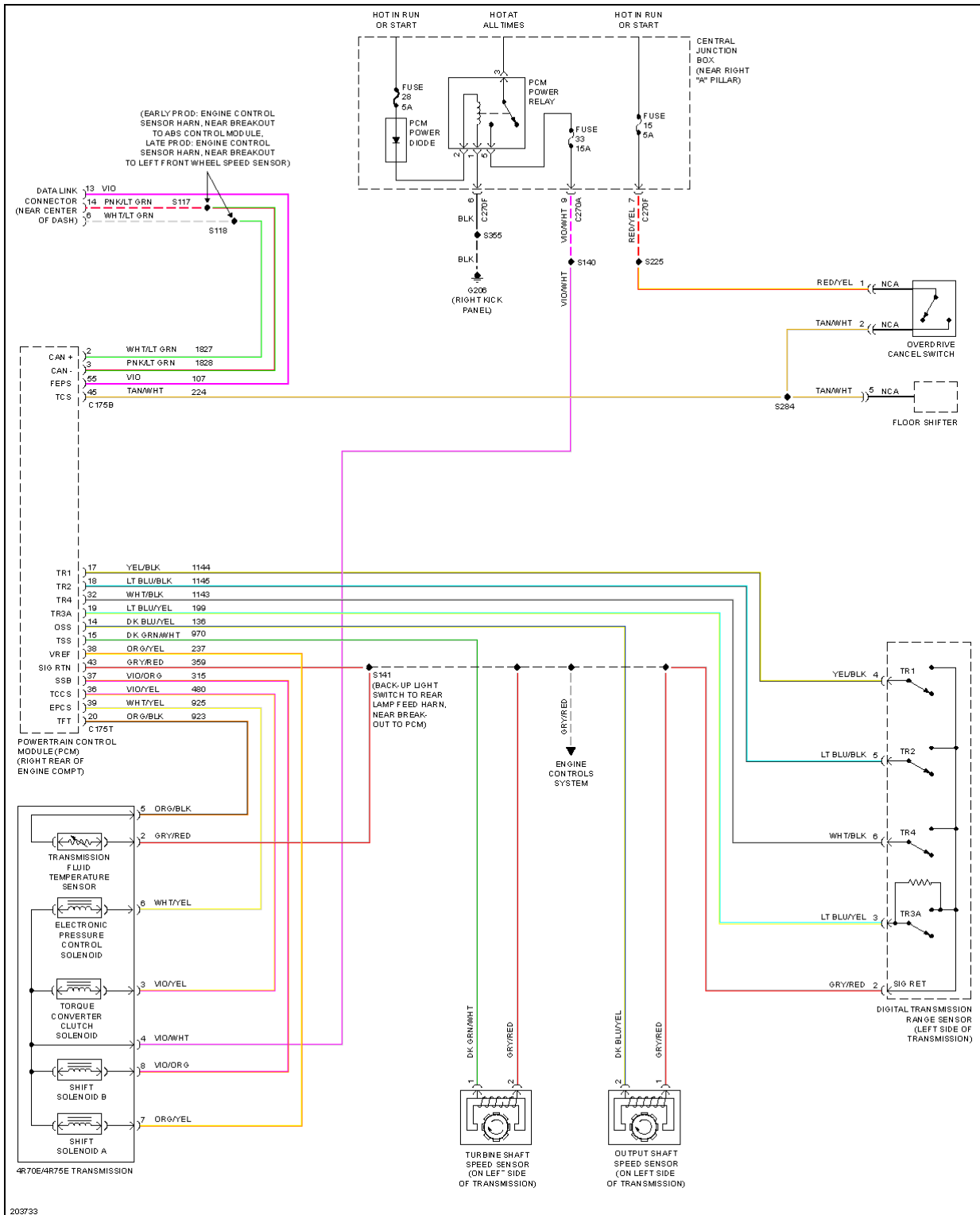
2005 Ford Pickup F150

2005 SYSTEM WIRING DIAGRAMS Ford - Pickup F150

Fig. 77: 4WD Circuit, Mechanical

2005 Ford Pickup F150

2005 SYSTEM WIRING DIAGRAMS Ford - Pickup F150



2005 Ford Pickup F150

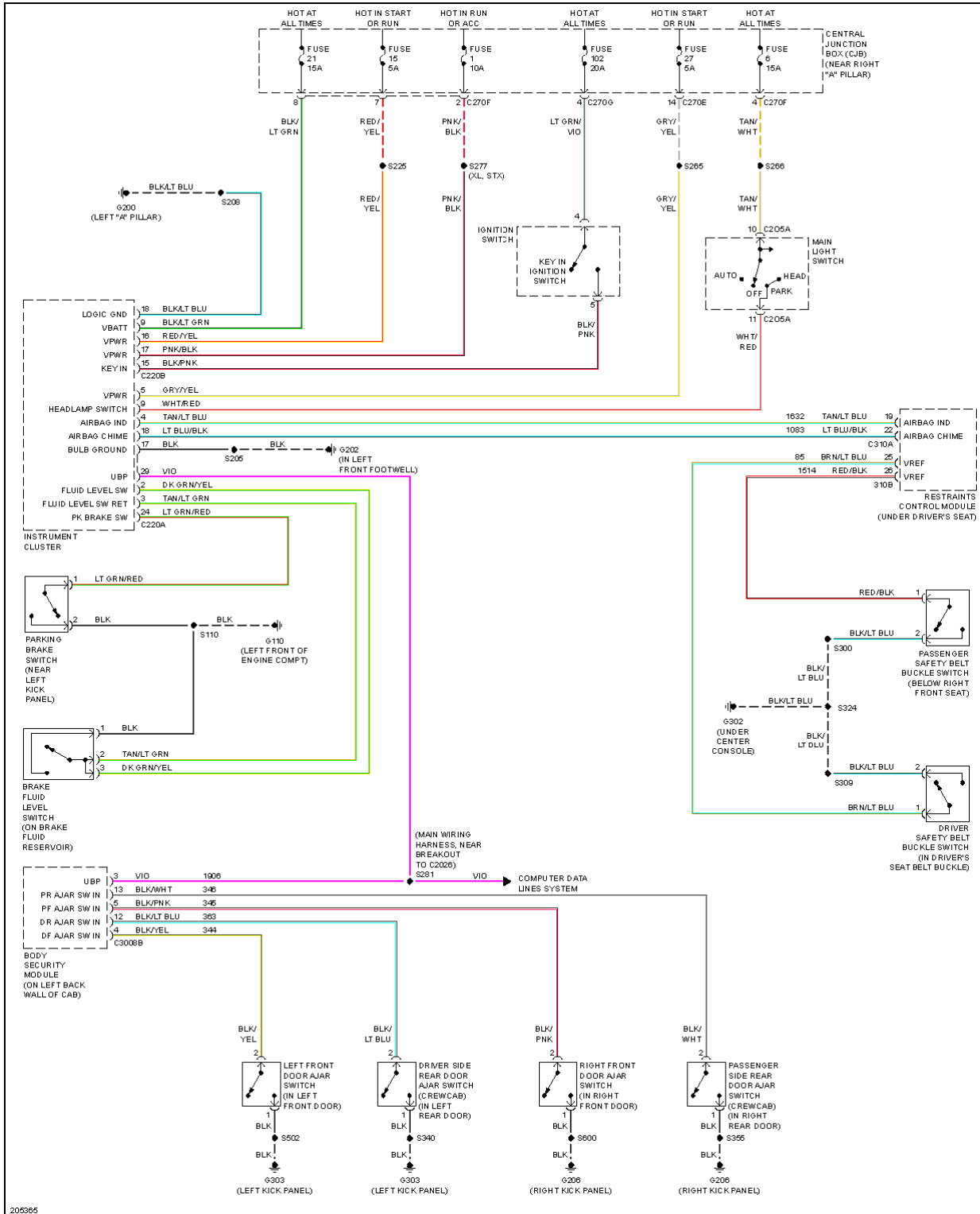
2005 SYSTEM WIRING DIAGRAMS Ford - Pickup F150

Fig. 78: A/T Circuit

WARNING SYSTEMS

2005 Ford Pickup F150

2005 SYSTEM WIRING DIAGRAMS Ford - Pickup F150



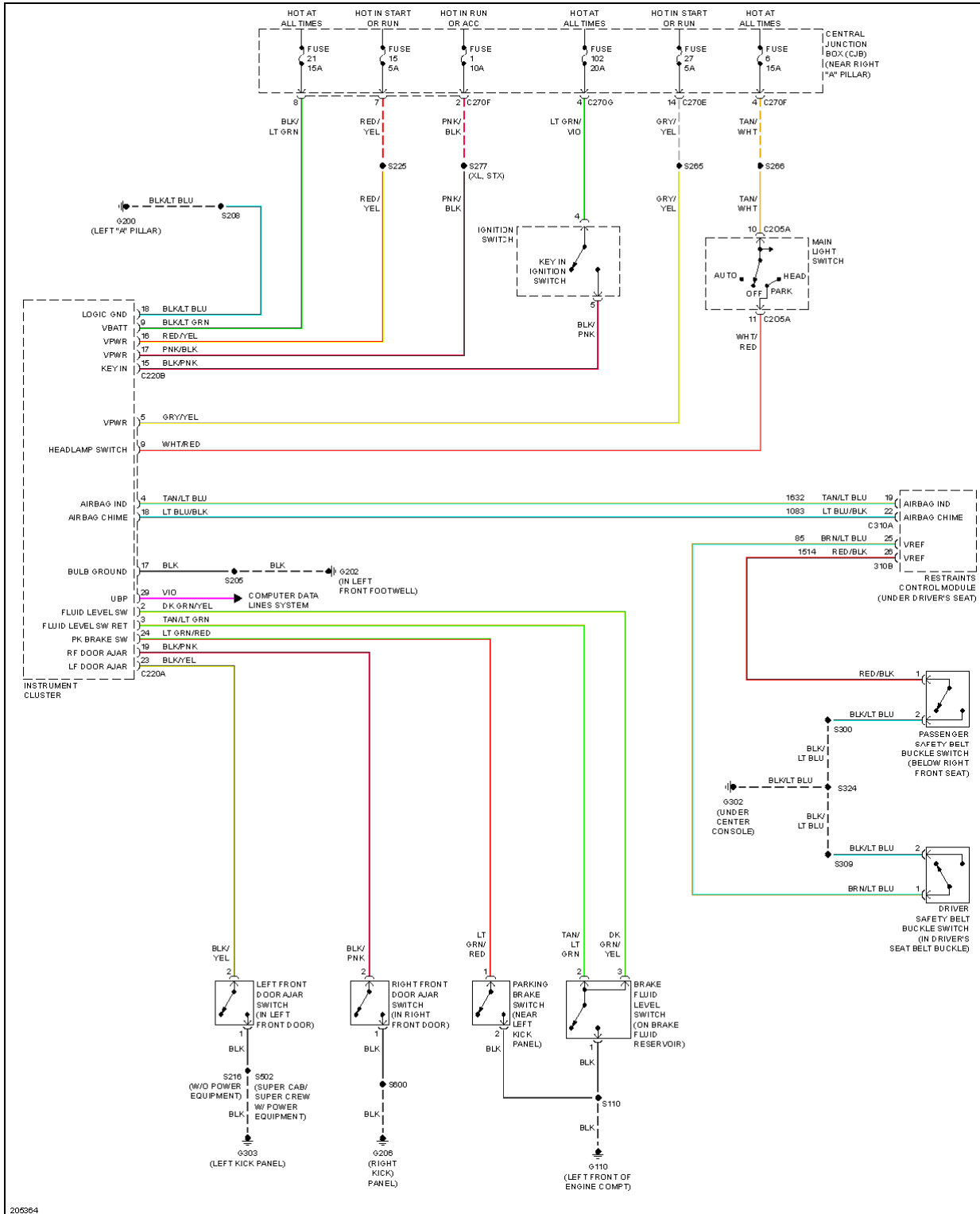
2005 Ford Pickup F150

2005 SYSTEM WIRING DIAGRAMS Ford - Pickup F150

Fig. 79: Warning Systems Circuit, W/ Remote/Keyless Entry

2005 Ford Pickup F150

2005 SYSTEM WIRING DIAGRAMS Ford - Pickup F150



2005 Ford Pickup F150

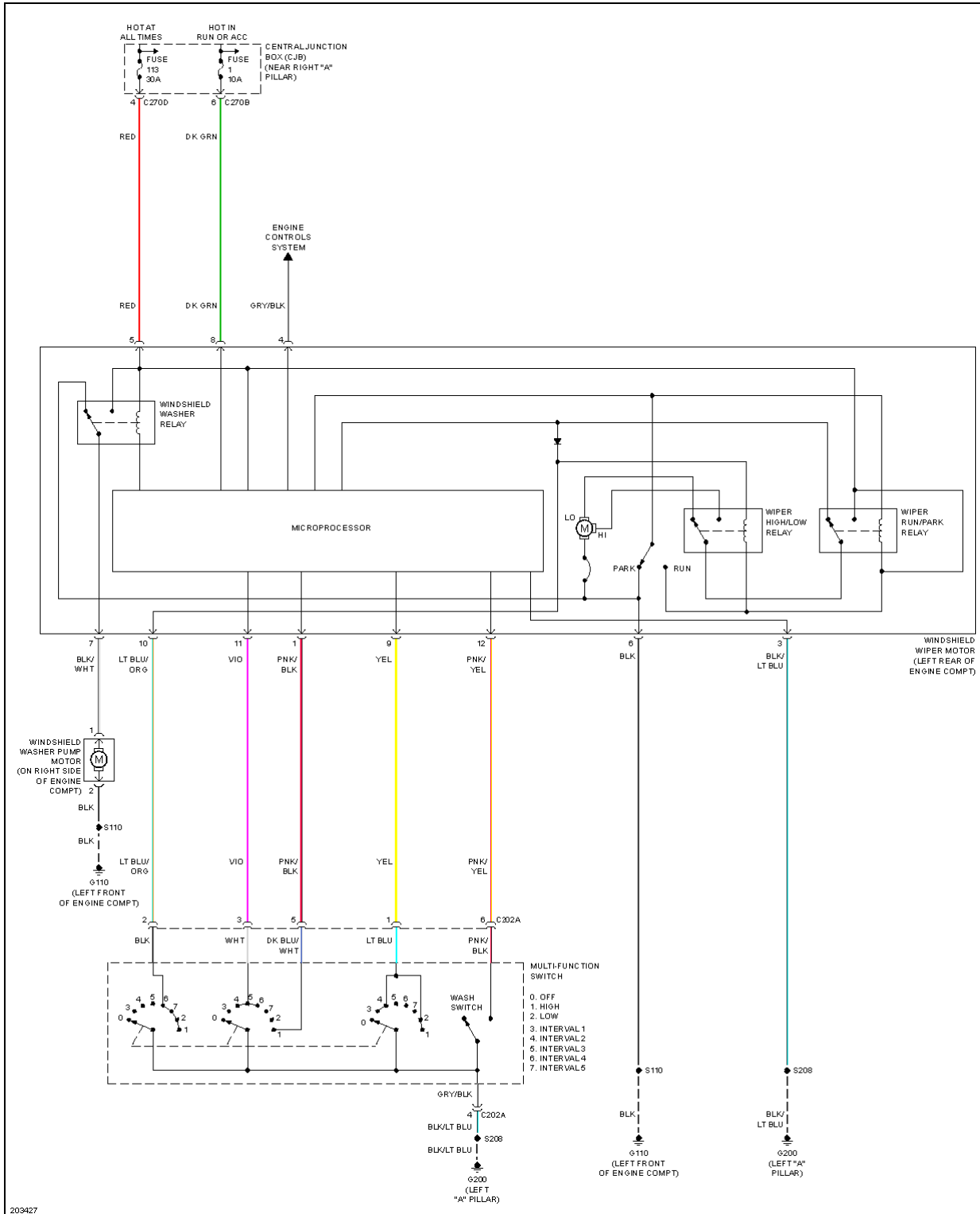
2005 SYSTEM WIRING DIAGRAMS Ford - Pickup F150

Fig. 80: Warning Systems Circuit, W/O Remote/Keyless Entry

WIPER/WASHER

2005 Ford Pickup F150

2005 SYSTEM WIRING DIAGRAMS Ford - Pickup F150



2005 Ford Pickup F150

2005 SYSTEM WIRING DIAGRAMS Ford - Pickup F150

Fig. 81: Wiper/Washer Circuit