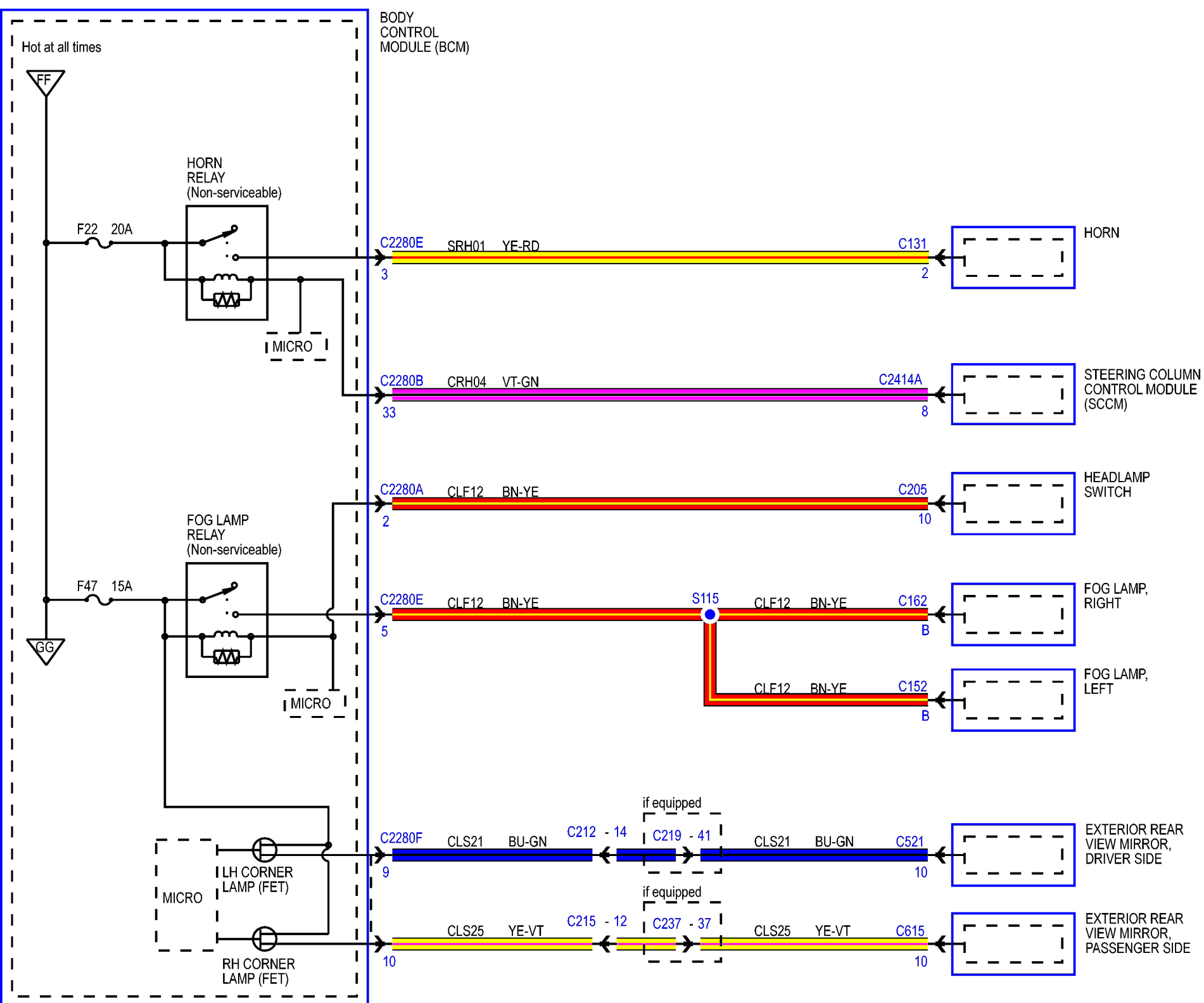
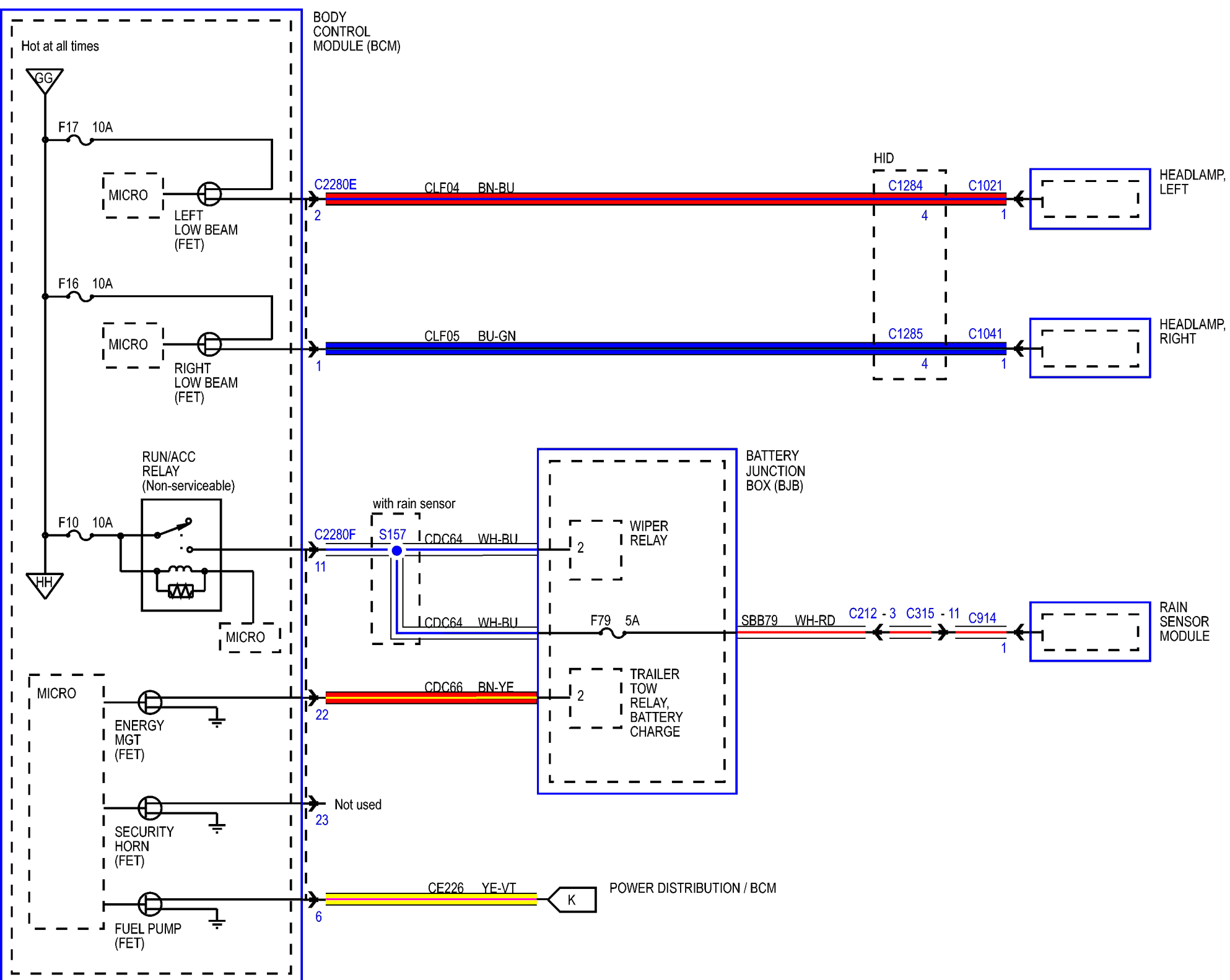
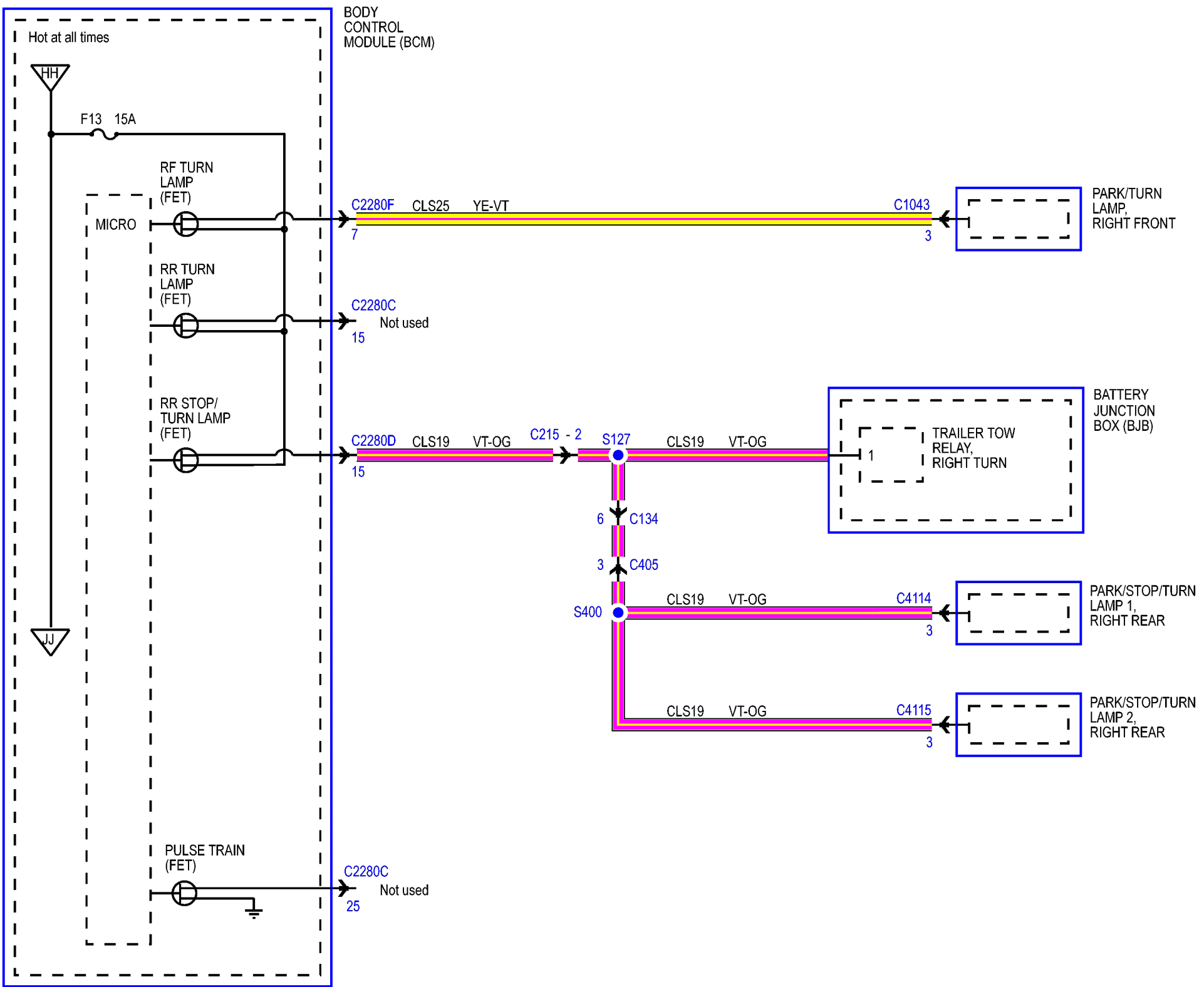


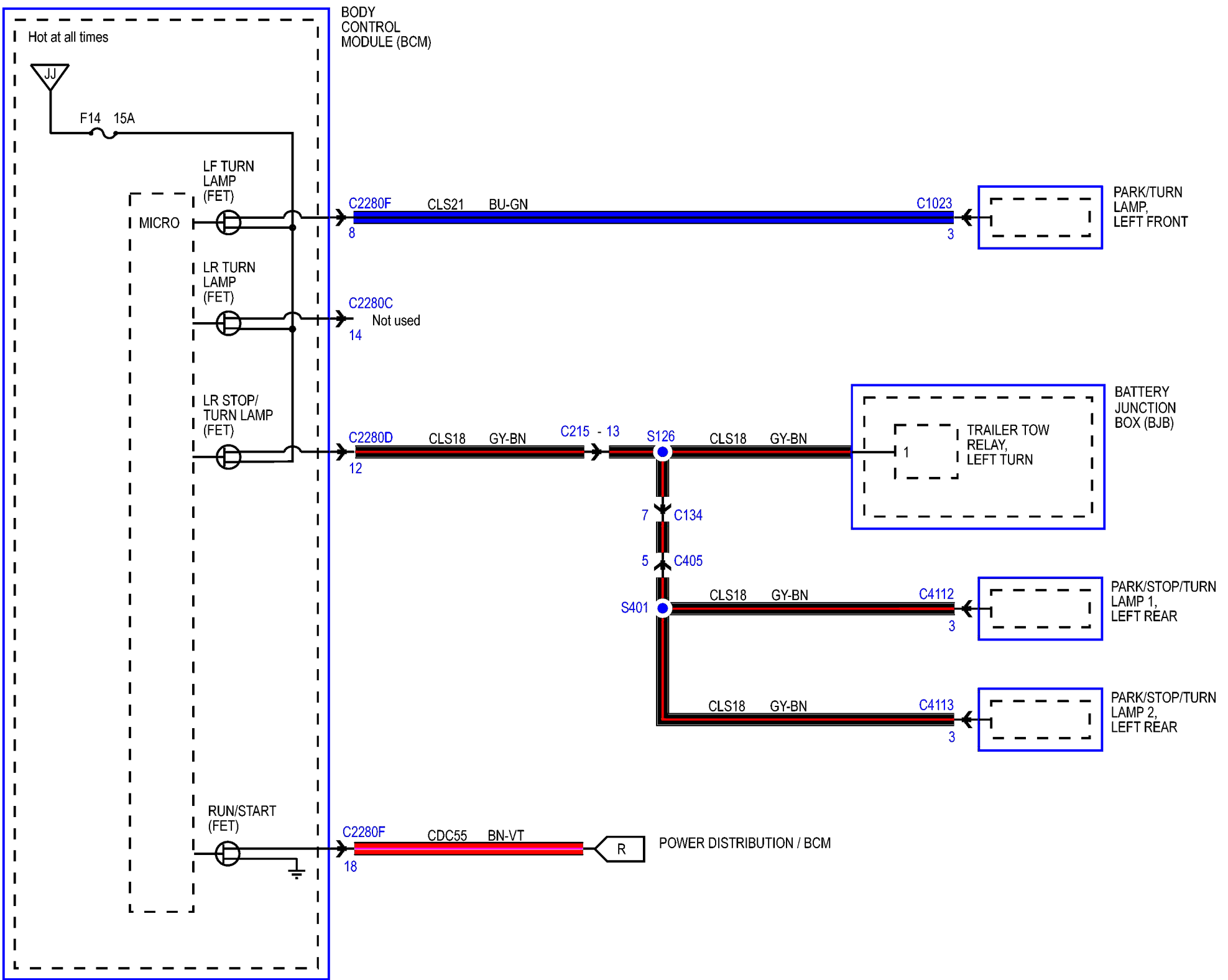
F22, F47



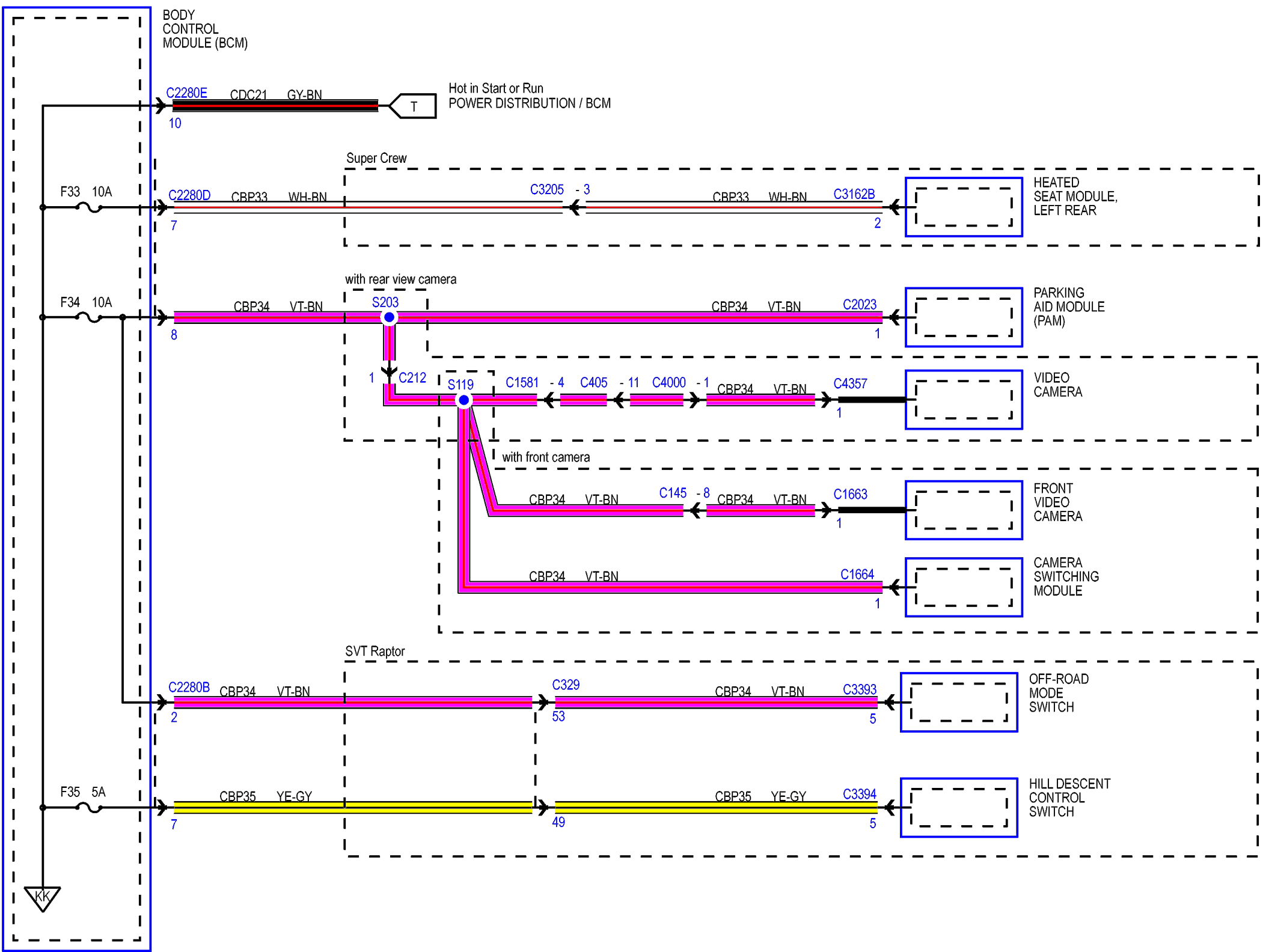
F10, F16, F17, F79



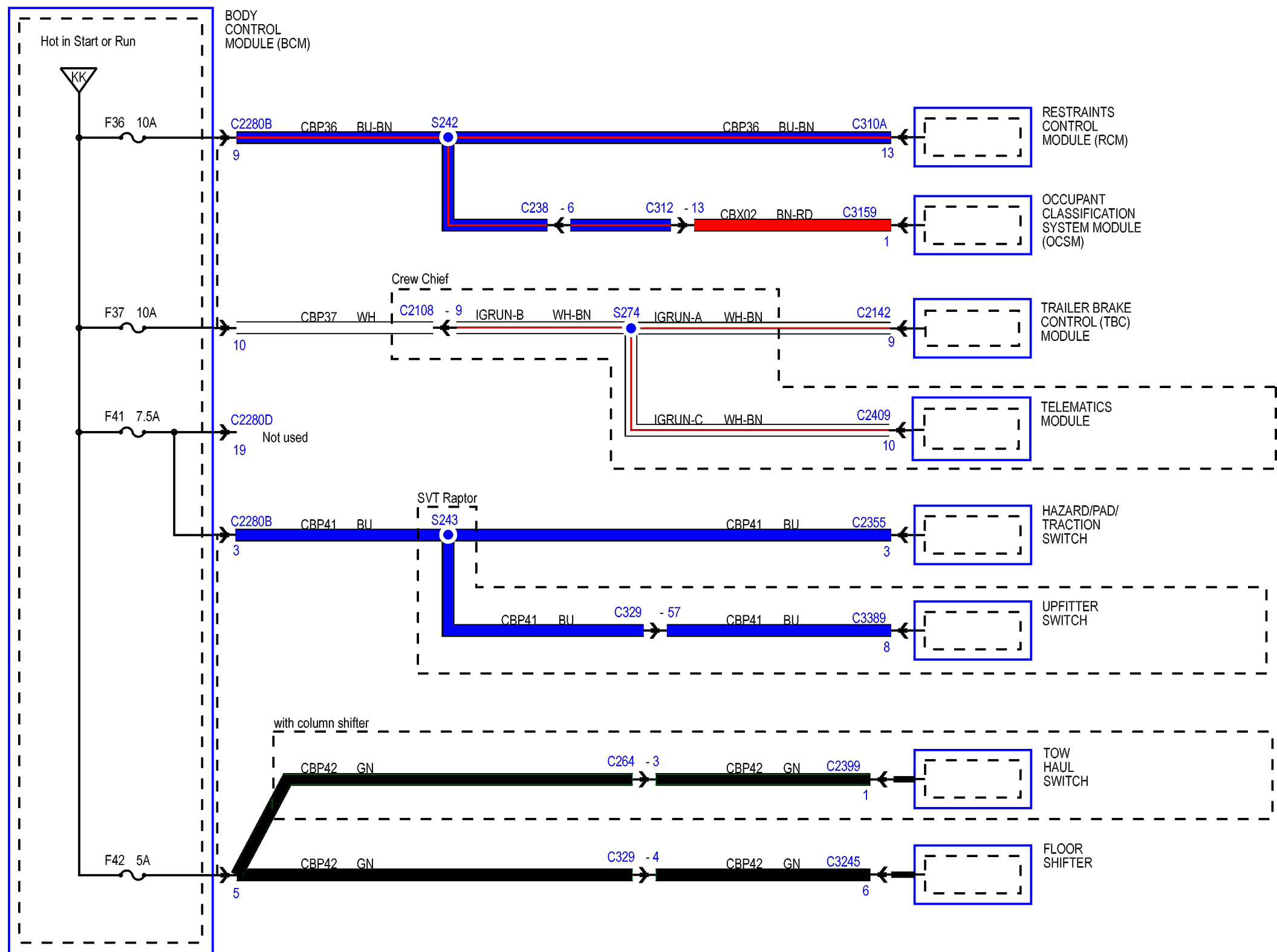


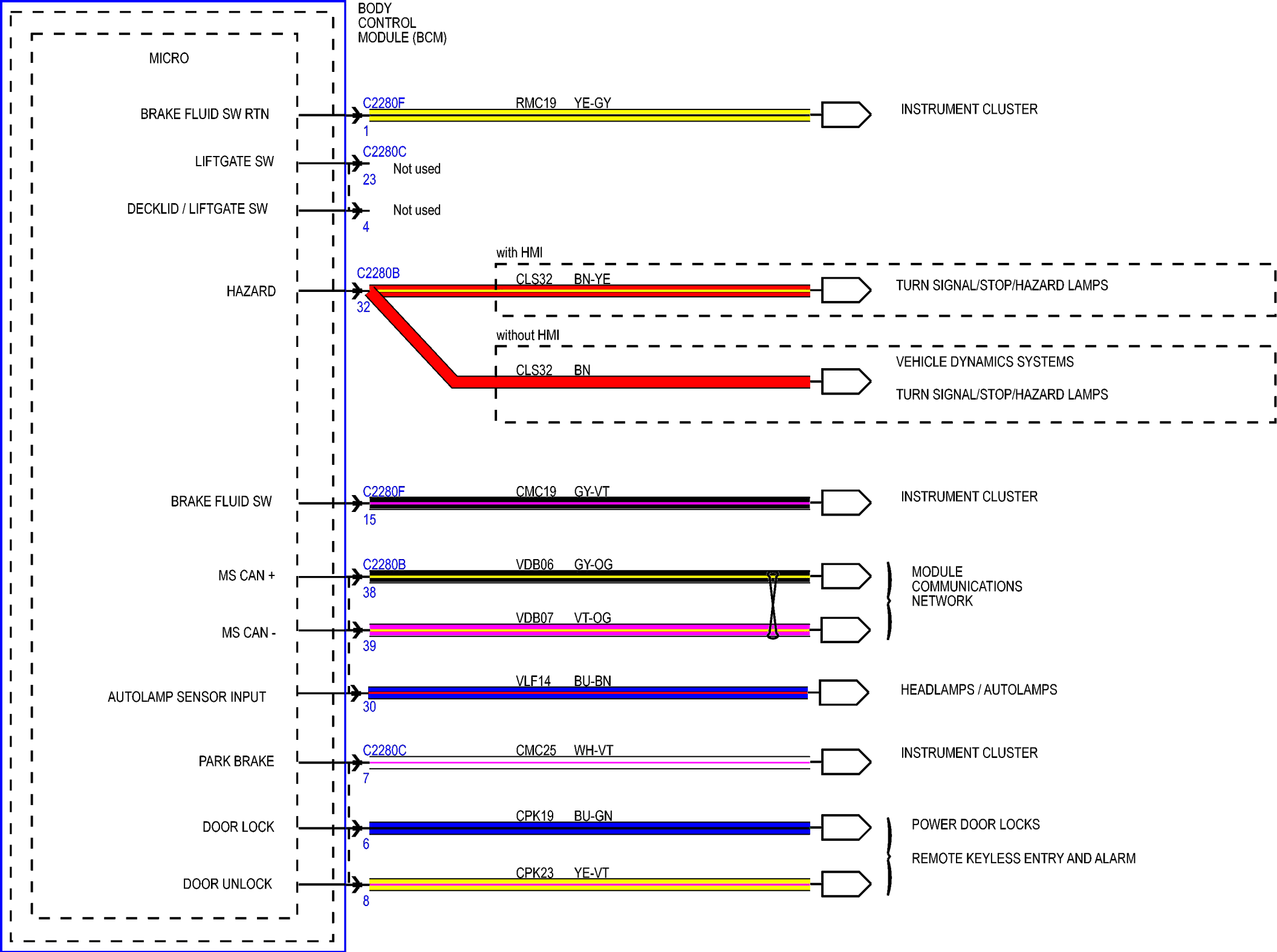


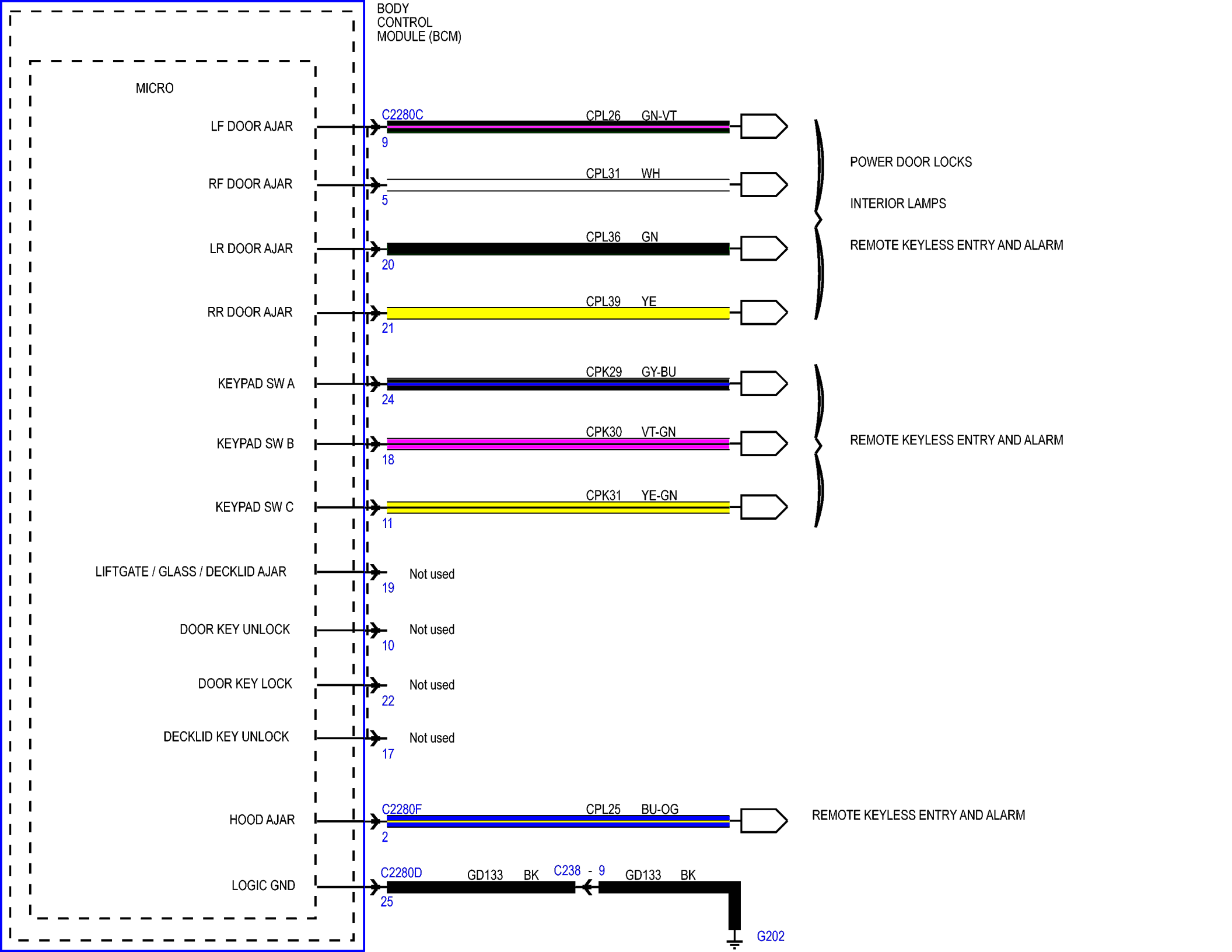
F33, F34, F35

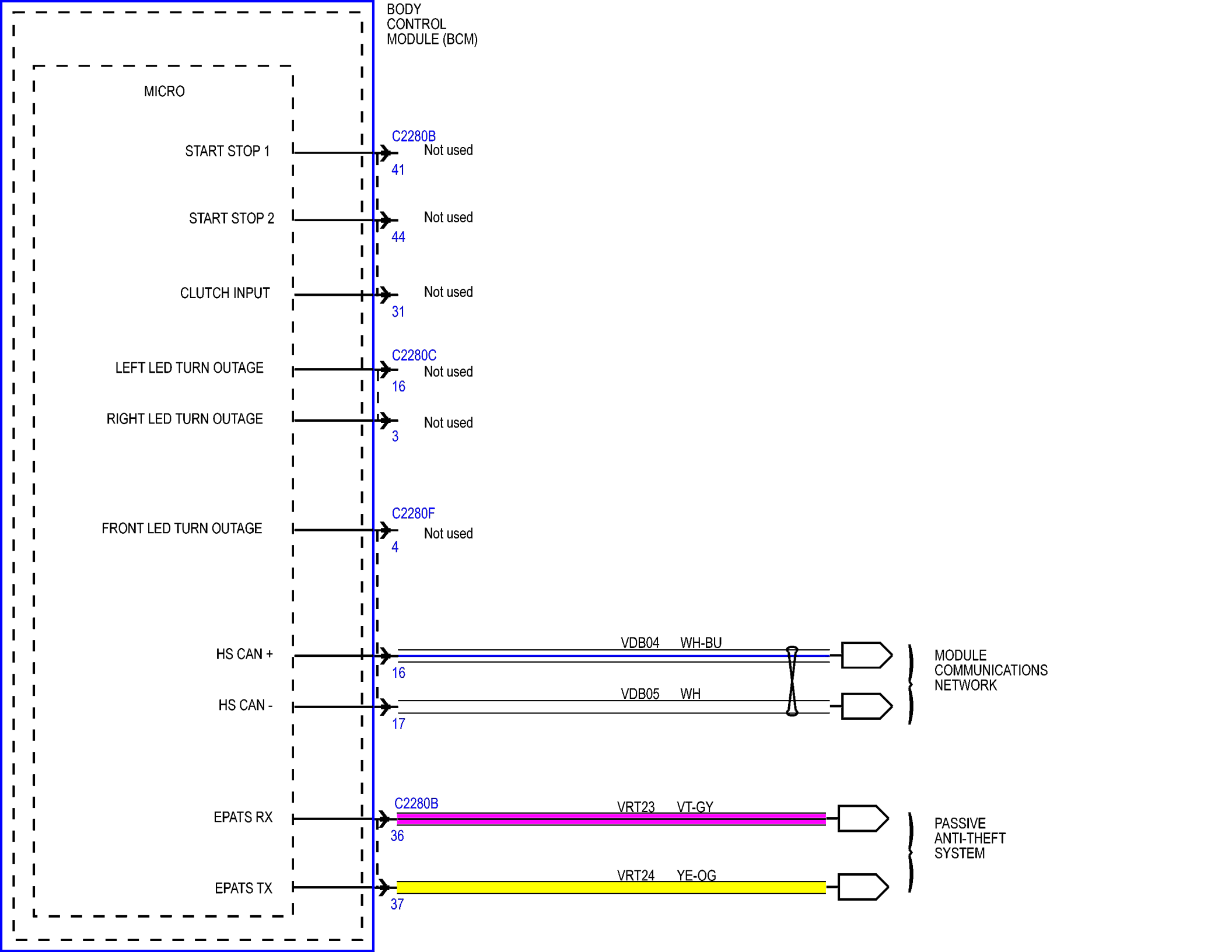


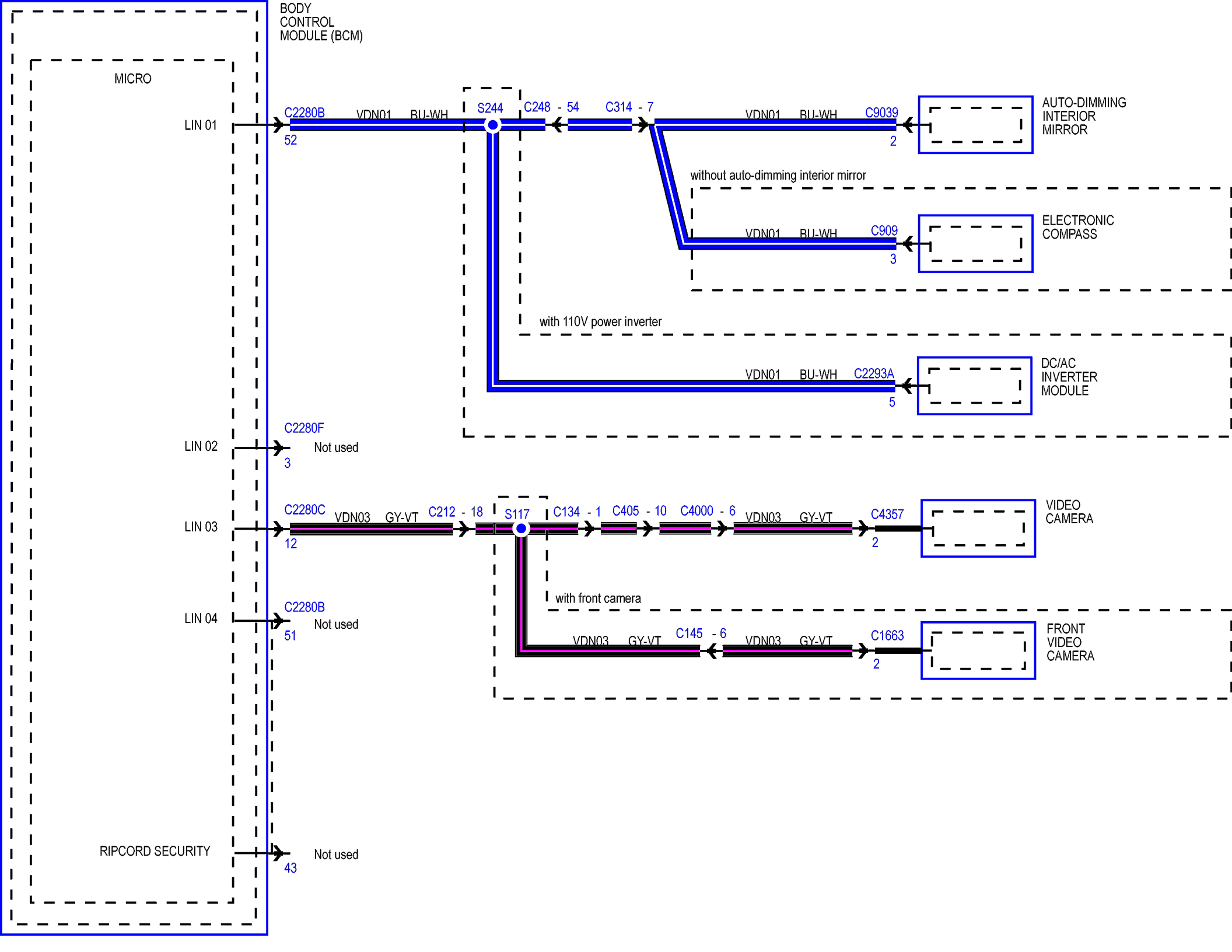
F36, F37, F41, F42











POWER DISTRIBUTION / BCM
Hot in Start or Run

