 Printable View	
TSB 14-0090	CLICK/SNAP NOISE ON INITIAL ACCELERATION FROM A STOP - BUILT ON 1/1/2011 AND THROUGH 4/1/2014
Publication Date: July 18, 2014	

FORD: 2011-2014 F-150

This article supersedes TSB **13-7-7** to update the vehicle model application, model years, Part List and Service Procedure.

ISSUE:

Some 2011-2014 F-150 vehicles built on 1/1/2011 and through 4/1/2014 may exhibit an intermittent click or snap-type noise from the rear axle on initial light acceleration from a stop while in drive or reverse. The noise may also occur on light acceleration after changing direction from drive to reverse, or reverse to drive.

ACTION:

Follow the Service Procedure steps to correct the condition.

SERVICE PROCEDURE

1. Does the vehicle exhibit a single click or snap-type noise from the rear axle on light acceleration after the initial engagement into Drive or Reverse, or after stopping to reverse vehicle direction?
 - a. Yes - proceed to Step 2.
 - b. No - this article does not apply. Refer to Workshop Manual (WSM), Section 205-00 for normal diagnostics.
2. Is the noise heard at the rear driveshaft universal joint area?
 - a. Yes - apply a few drops of Motorcraft® Penetrating and Lock Lubricant to each of the driveshaft universal joint retaining clips, wipe off the excess and retest. If the noise is resolved the repair is complete. Release vehicle to the customer. If the noise is still present proceed to Step 3.
 - b. No - proceed to Step 3.
3. With the vehicle in neutral, position it on a hoist. Refer to WSM, Section 100-02.
4. Index-mark the driveshaft flange and pinion flange for correct alignment during installation. (Figure 1)

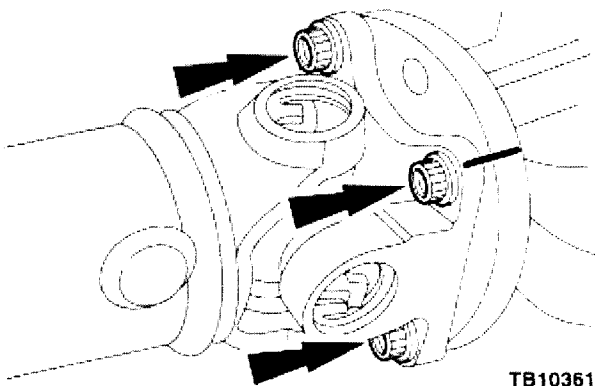


Figure 1 - 14-0090

5. Remove and discard the four (4) driveshaft flange bolts.

6. Disconnect the driveshaft centering socket yoke from the pinion flange. (Figure 2)

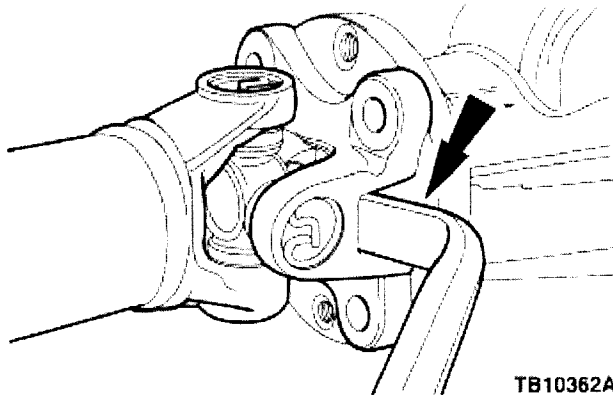


Figure 2 - 14-0090

- a. The driveshaft centering socket yoke fits tightly on the pinion flange pilot. Never hammer on the driveshaft or any of its components to disconnect the driveshaft centering socket yoke from the pinion flange. Pry only in the area shown with a suitable tool to disconnect the driveshaft centering socket yoke from the pinion flange.
7. Support and position the driveshaft aside.
 8. Remove the rear disc brake calipers and support them out of the way to allow the axles to rotate freely. Refer to WSM, Section 206-04.
 - a. It is not necessary to remove the brake lines from the brake calipers for this procedure.
 9. Rotate the rear axle pinion and record the turning torque with the differential and axle shafts installed.
 10. Remove the rear pinion flange, pinion seal, and oil slinger. Refer to WSM, Section 205-02B, In-Vehicle Repair, Drive Pinion Flange and Drive Pinion Seal.
 - a. It is critical to follow the WSM procedure to press the pinion flange off and on to prevent damage to the pinion flange.
 11. Replace the oil slinger with a new oil slinger.
 12. Lubricate both faces of the shim with Motorcraft® Premium Long-Life Grease.
 13. Install shim, pinion seal, and pinion flange. Refer to WSM, Section 205-02B.
 14. Adjust rear pinion preload to ± 0.14 kg/cm (2 lb-in) from the initial pinion turning torque recorded in Step 9.
 - a. Used bearings require a lower preload than new bearings.
 15. Install the rear disc brake calipers. Refer to WSM, Section 206-04.
 16. Position the driveshaft to the pinion flange and align the index marks. (Figure 1)
 17. Install four (4) new driveshaft flange bolts and tighten to 103 Nm (76 lb-ft).
 - a. If new bolts are not available, coat the threads of the original driveshaft flange bolts with Motorcraft® Threadlock and Sealer.
 - b. The driveshaft centering socket yoke fits tightly on the pinion flange. To make sure the driveshaft centering socket yoke seats squarely on the pinion flange, tighten the driveshaft flange bolts evenly in a cross pattern.

PART NUMBER	PART NAME
XL-1	Motorcraft® Penetrating and Lock Lubricant

PART NUMBER	PART NAME
TA-25-B	Motorcraft®Threadlock and Sealer
BL3Z-4676-A	Rear Pinion Seal
N800594-S100	Bolt (4 Req)
FL3Z-7N357-A	Oil Slinger
XY-75W140-QL	Motorcraft® SAE 75W-140 Synthetic Rear Axle Lubricant
XG-1-E1	Motorcraft® Premium Long-Life Grease

OPERATION	DESCRIPTION	TIME
140090A	2011-2014 F-150: Lubricate Retaining Clips Concern Resolved Includes Time For Road Tests (Do Not Use With Any Other Labor Operations)	0.8 Hr.
140090B	2011-2014 F-150: Lubricate Retaining Clips Concern Not Resolved Follow Service Procedure To Adjust Pinion Bearing Preload Includes Time To Replace The Oil Slinger If Necessary And Road Tests (Do Not Use With Any Other Labor Operations)	1.7 Hrs.

WARRANTY STATUS

Eligible Under Provisions Of New Vehicle Limited Warranty Coverage.

Warranty/ESP coverage limits/policies/prior approvals are not altered by a TSB. Warranty/ESP coverage limits are determined by the identified causal part and verified using the OASIS part coverage tool.

DEALER CODING

BASIC PART NO.	CONDITION CODE
4670	41

NOTE: The information in Technical Service Bulletins is intended for use by trained, professional technicians with the knowledge, tools, and equipment to do the job properly and safely. It informs these technicians of conditions that may occur on some vehicles, or provides information that could assist in proper vehicle service. The procedures should not be performed by "do-it-yourselfers". Do not assume that a condition described affects your car or truck. Contact a Ford or Lincoln dealership to determine whether the Bulletin applies to your vehicle. Warranty Policy and Extended Service Plan documentation determine Warranty and/or Extended Service Plan coverage unless stated otherwise in the TSB article. The information in this Technical Service Bulletin (TSB) was current at the time of printing. Ford Motor Company reserves the right to supercede this information with updates. The most recent information is available through Ford Motor Company's on-line technical resources.

Copyright © 2014 Ford Motor Company