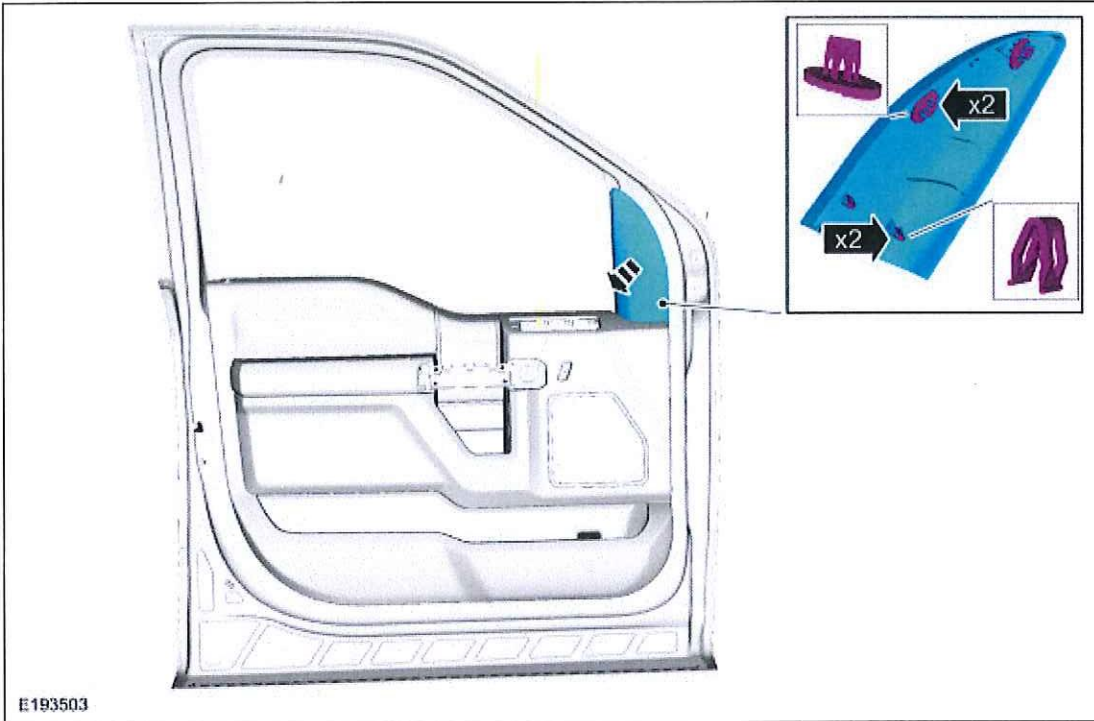


Front Door Trim Panel

Removal

NOTE: LH side shown, RH side similar.

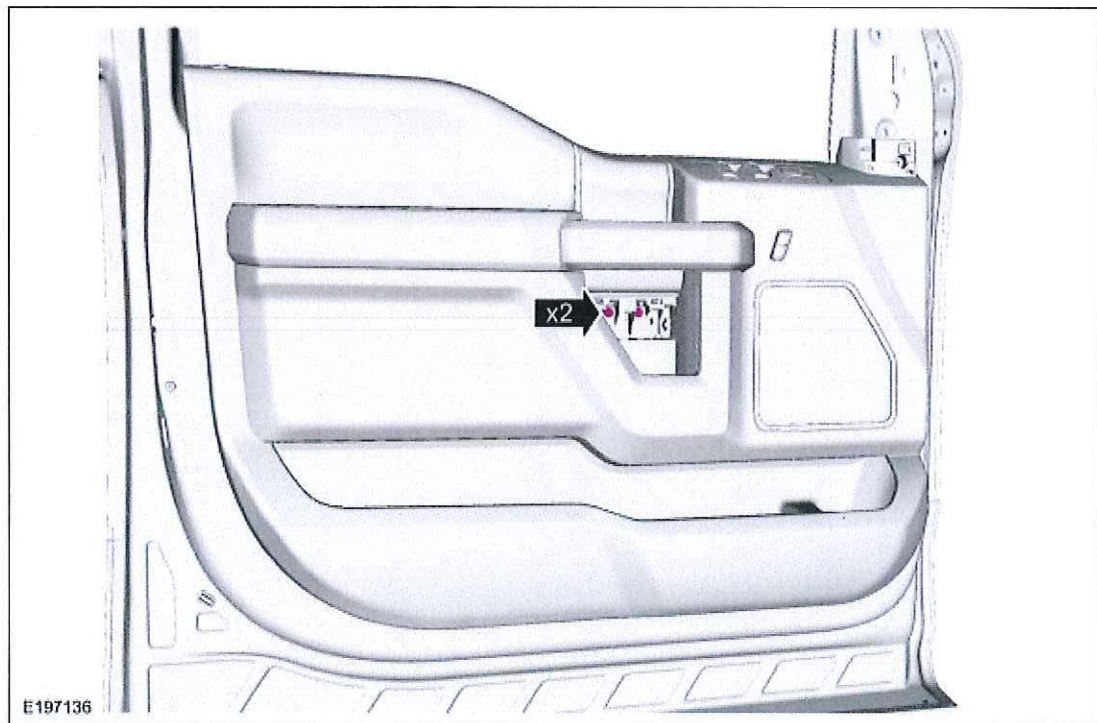
- 1. Release the clips and remove the sail panel trim cover.



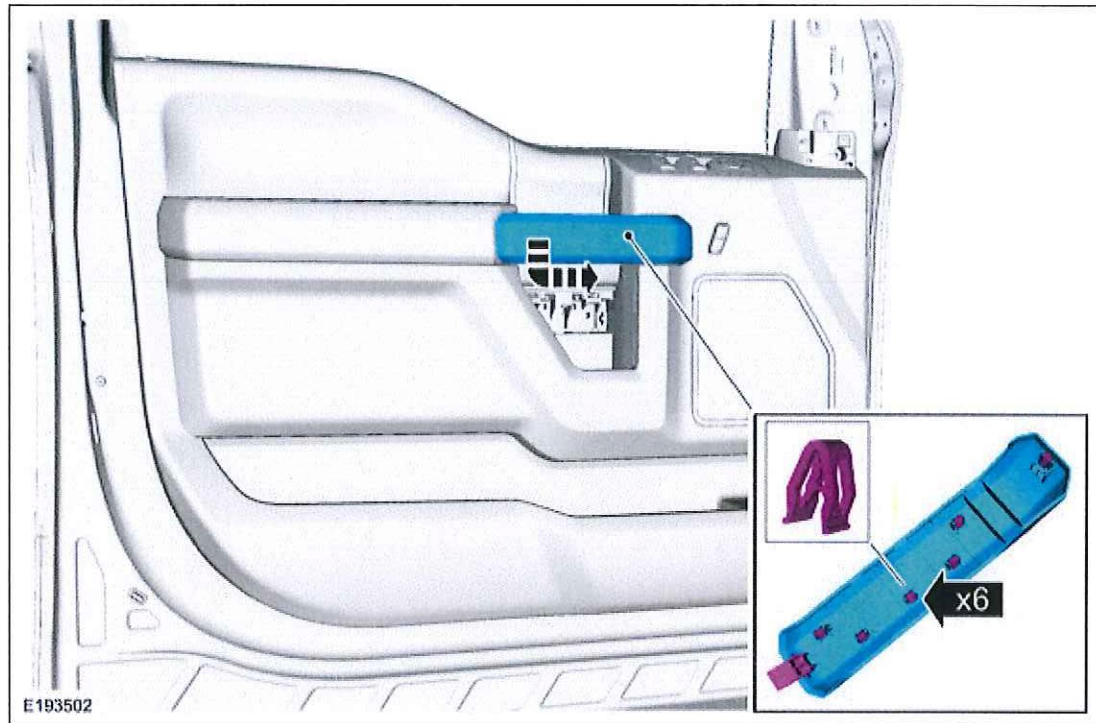
- 2. Release the clips and remove the door handle trim cover.



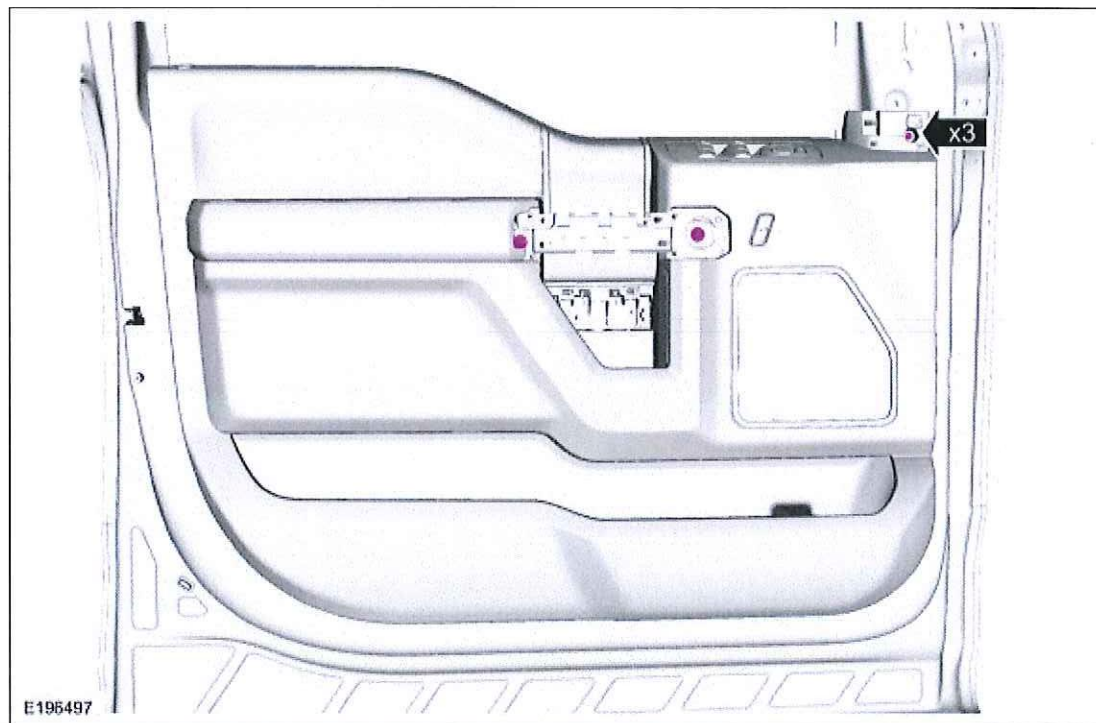
3. Remove the retainers.



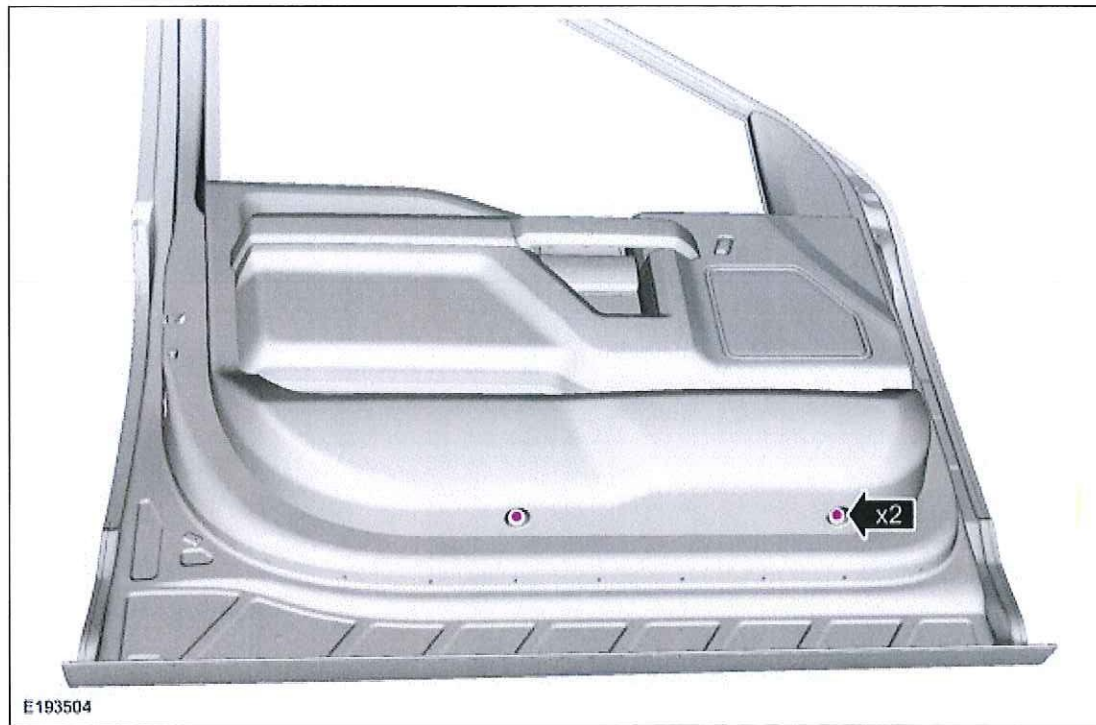
4. Release the clips and remove the door grab handle.



5. Remove the door trim panel bolts.



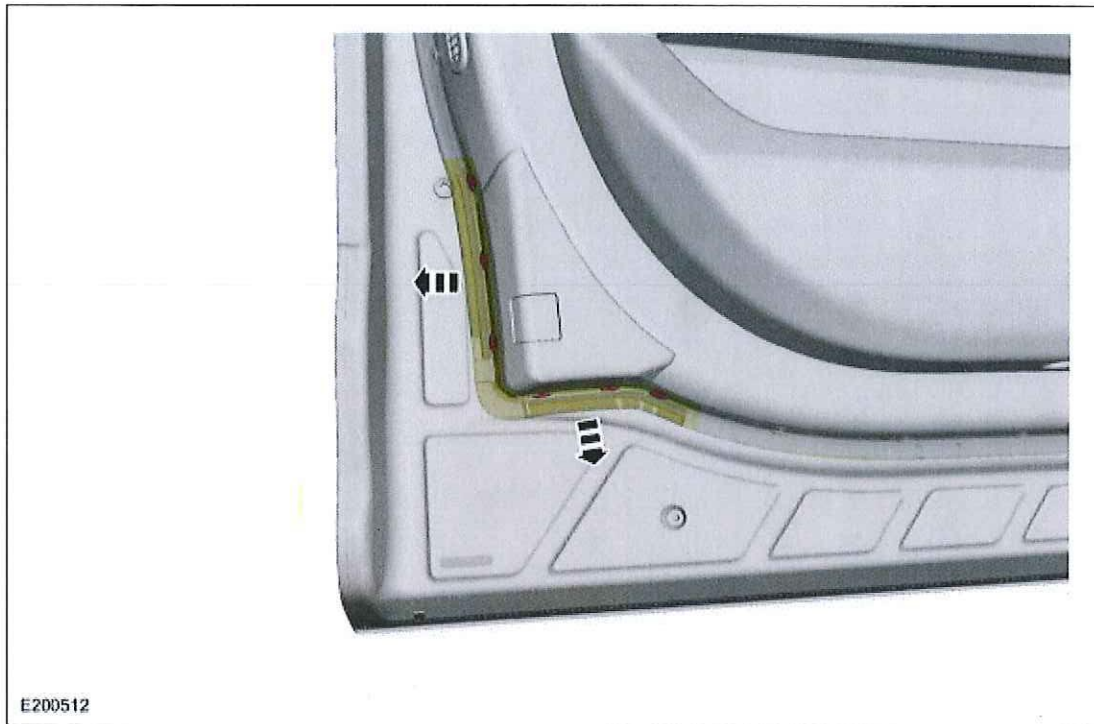
6. Remove the front door trim panel lower retainers.



SuperCab

NOTE: Removal of the filler trim panel is not required to remove the front door trim panel.

7. Release the clips and disengage the weatherstrip from around the front door filler trim panel.

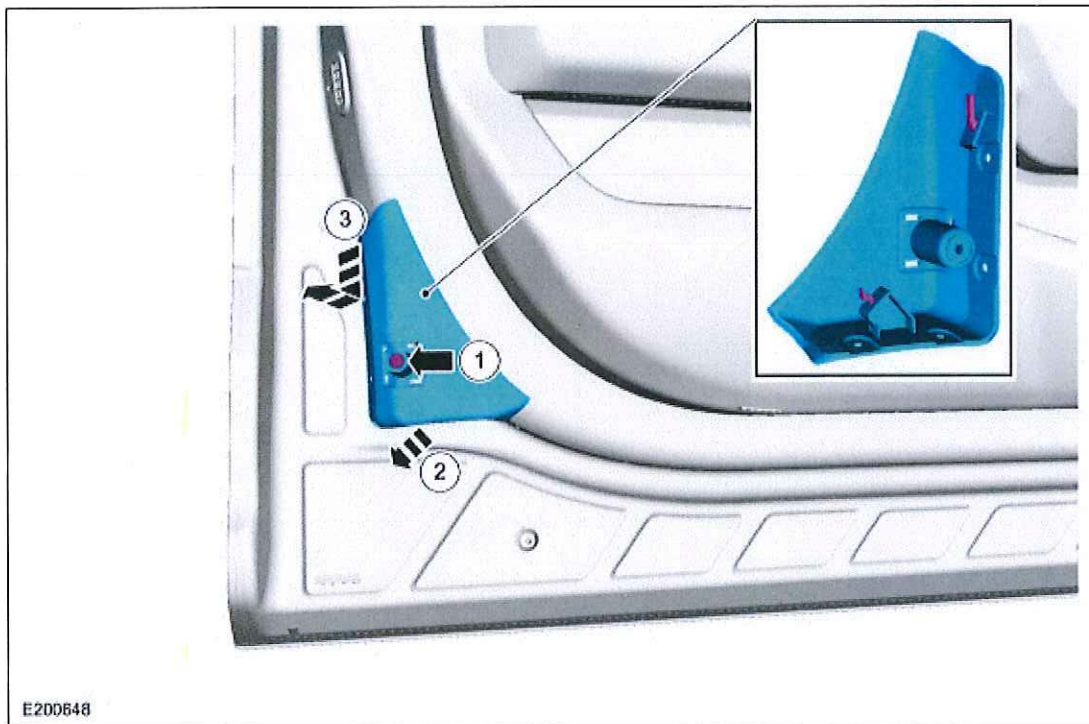


8. Remove the front door filler trim panel reflector.



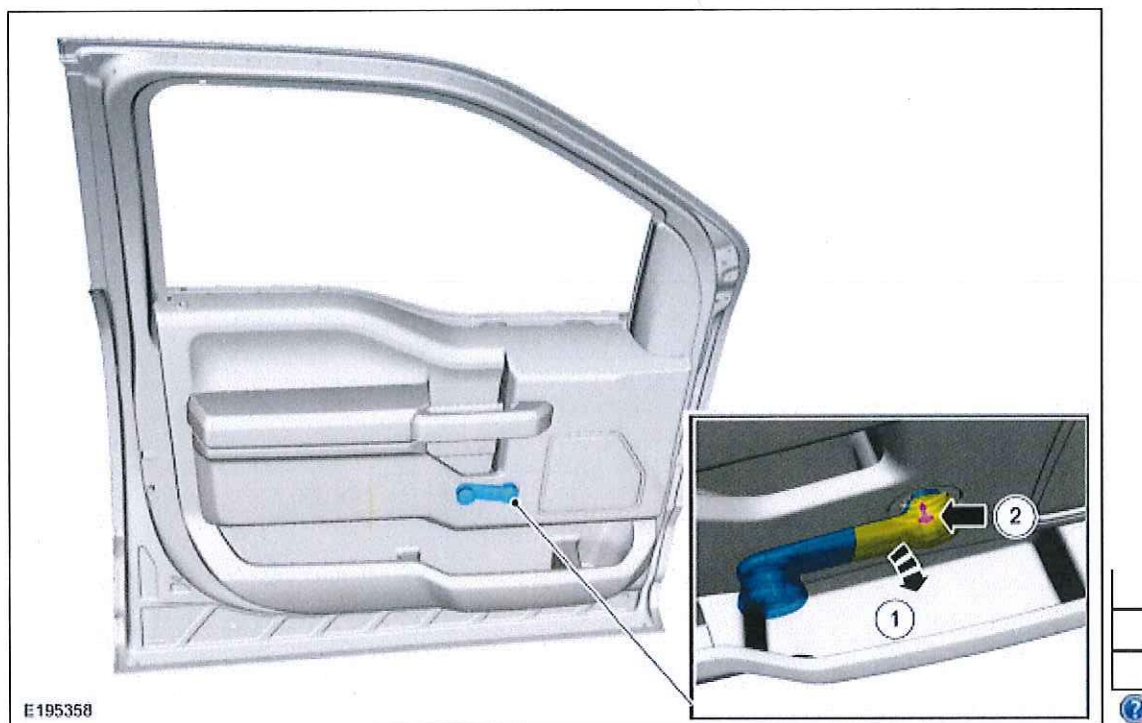
9. Remove the front door filler trim panel.
1. Remove the front door filler trim panel retainer.

2. Release the front door filler trim panel lower clip.
3. Disengage the hook and remove the front door filler trim panel.



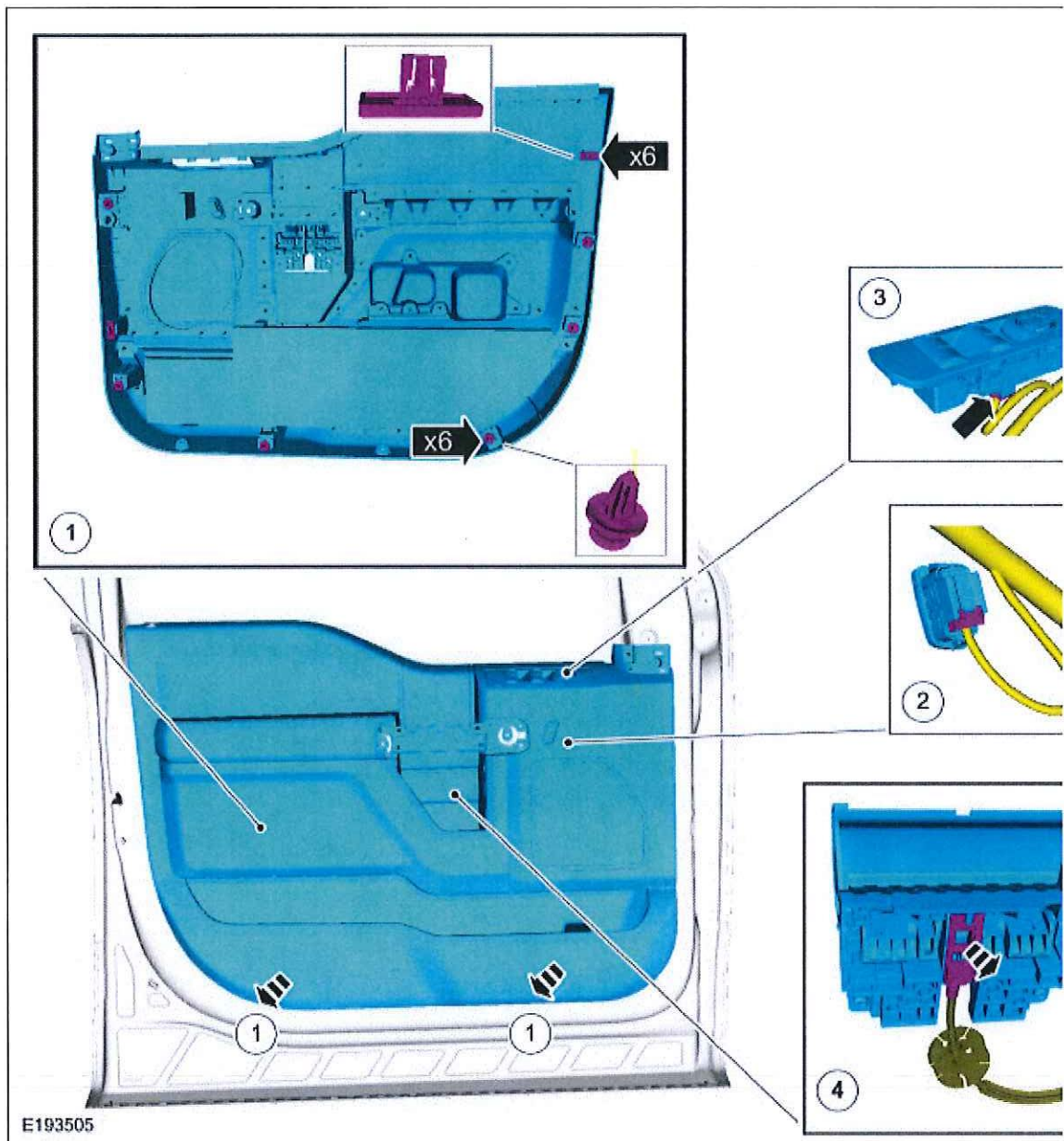
Vehicles With Manual Windows

10. Remove the window regulator handle.
 1. Position aside the cover.
 2. Remove the retainer and the window regulator handle.
Torque: 33 lb.in (3.7 Nm)



All vehicles

11. Remove the front door trim panel.
 1. Release the clips.
 2. Disconnect the power lock switch
 3. If equipped, disconnect the power window switch electrical connector.
 4. Disconnect the latch cable and remove the front door trim panel.



Installation

1. To install, reverse the removal procedure.

Copyright © 2015 Ford Motor Company

