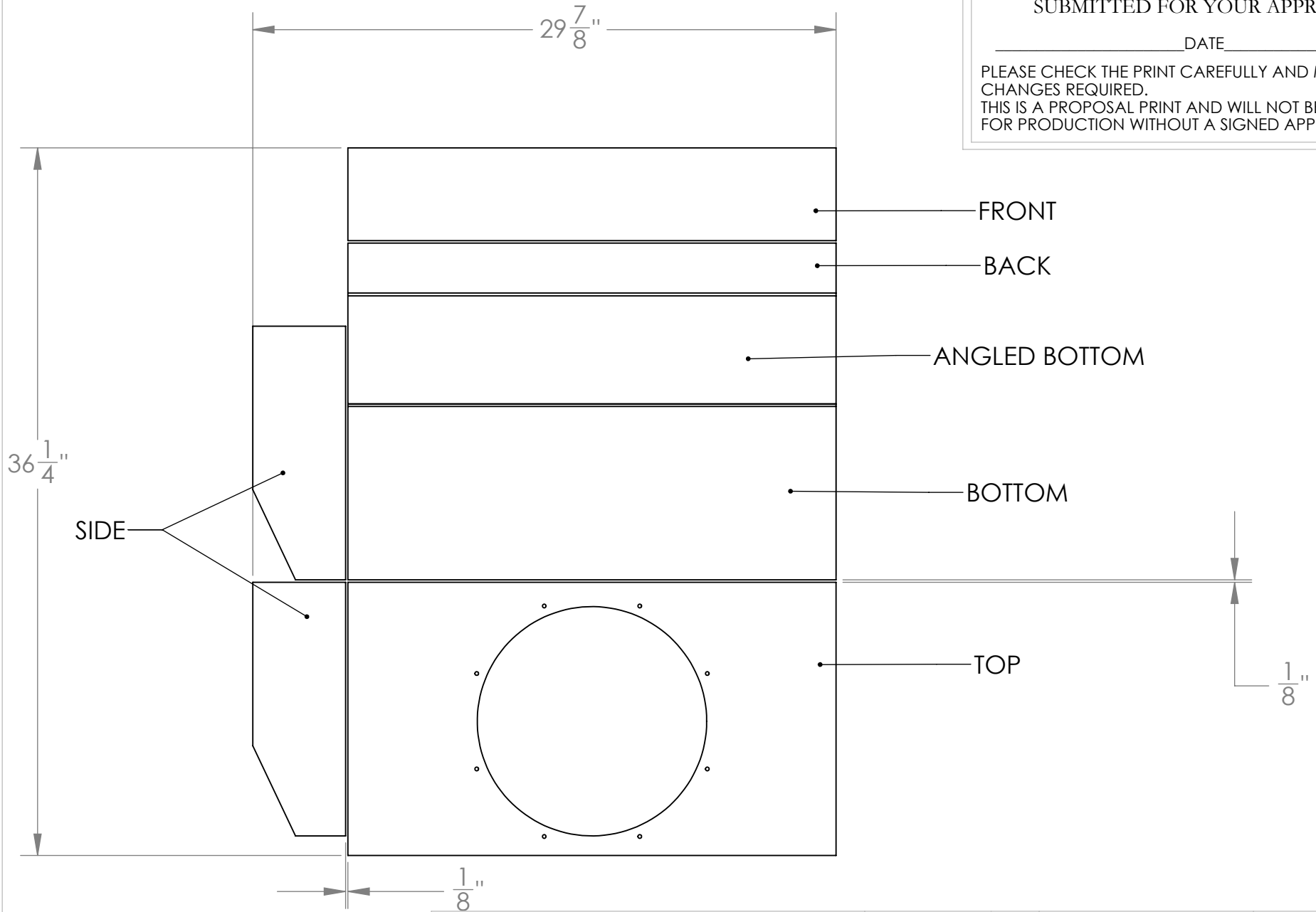


SUBMITTED FOR YOUR APPROVAL

DATE _____

PLEASE CHECK THE PRINT CAREFULLY AND MARK ALL
CHANGES REQUIRED.
THIS IS A PROPOSAL PRINT AND WILL NOT BE RELEASED
FOR PRODUCTION WITHOUT A SIGNED APPROVAL



DWN. BR	DATE DWN. 3/18/16	APPR.
---------	-------------------	-------

1/2 MDF

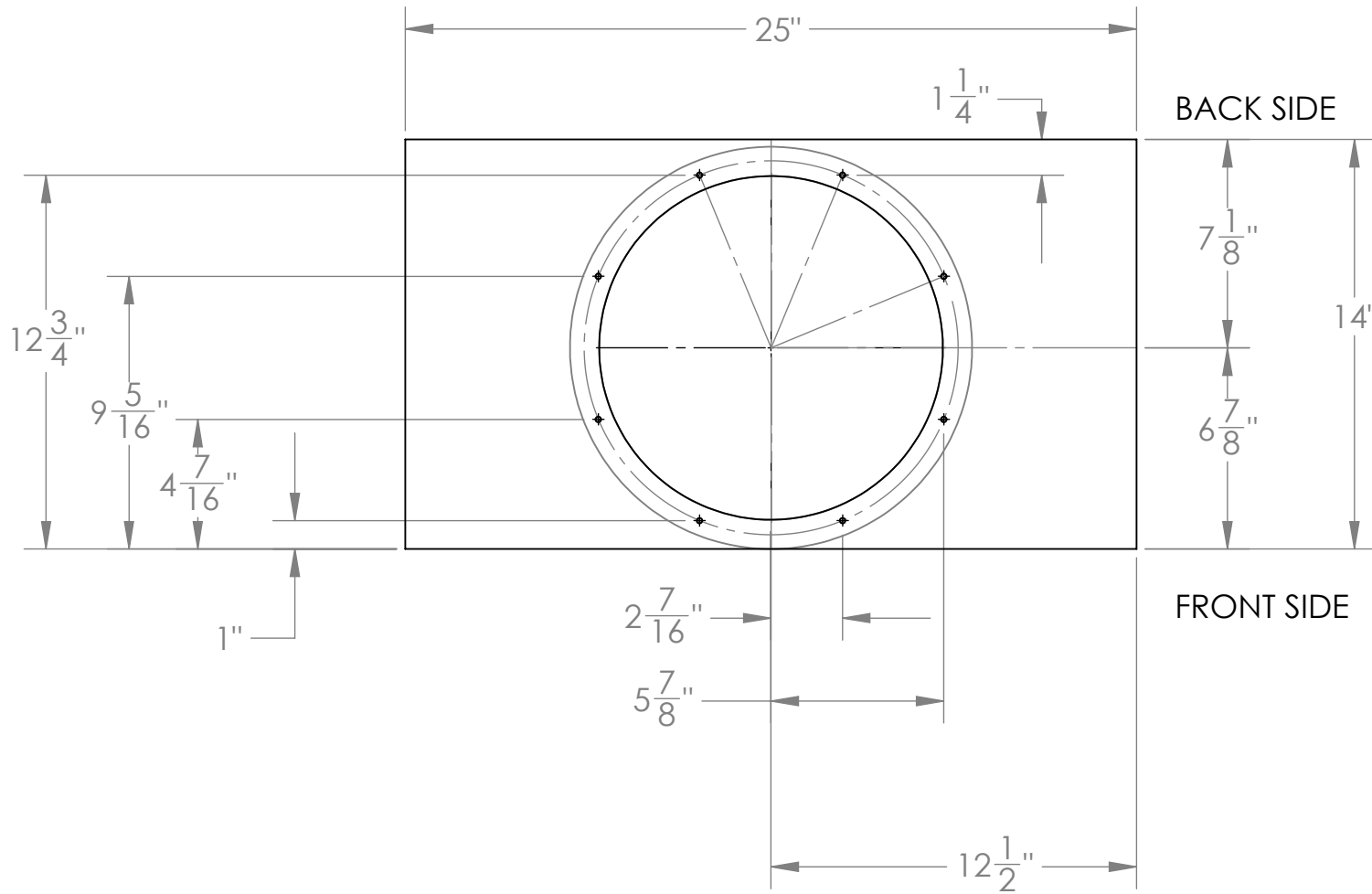
DRW NO.	CUT PATTERN	--
---------	-------------	----

REV.	ECN NUMBER	DATE	APPR
------	------------	------	------

SUBMITTED FOR YOUR APPROVAL

DATE _____

PLEASE CHECK THE PRINT CAREFULLY AND MARK ALL
CHANGES REQUIRED.
THIS IS A PROPOSAL PRINT AND WILL NOT BE RELEASED
FOR PRODUCTION WITHOUT A SIGNED APPROVAL



DWN. BR

DATE DWN. 3/18/16

APPR.

TOP PANEL

DRW NO.

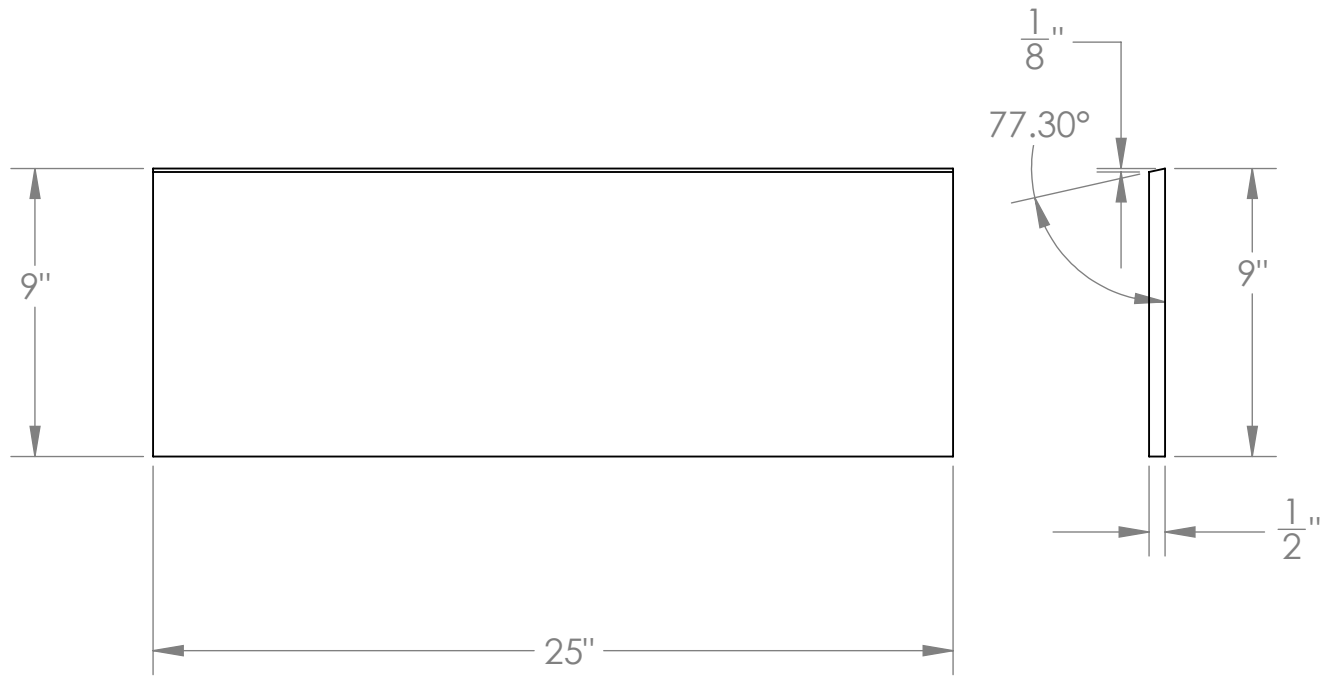
BOX 2 TOP

--

SUBMITTED FOR YOUR APPROVAL

DATE _____

PLEASE CHECK THE PRINT CAREFULLY AND MARK ALL
CHANGES REQUIRED.
THIS IS A PROPOSAL PRINT AND WILL NOT BE RELEASED
FOR PRODUCTION WITHOUT A SIGNED APPROVAL

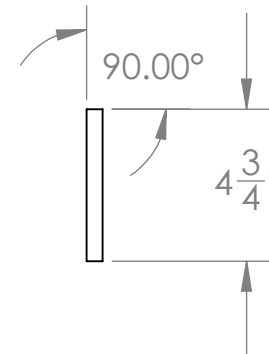
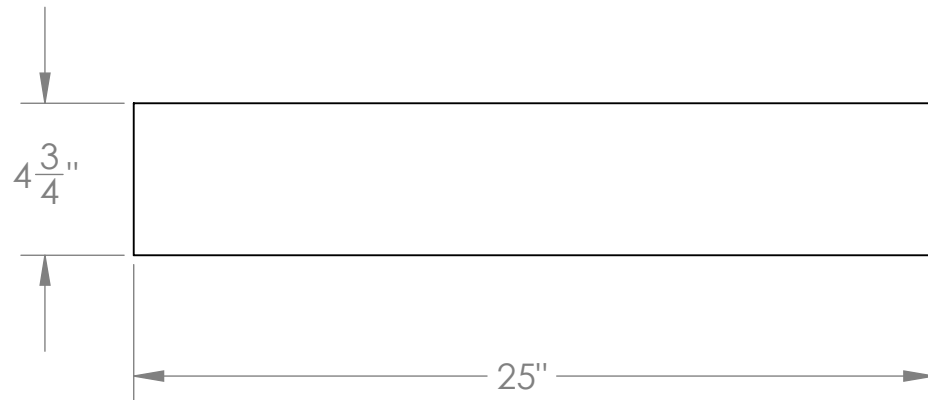


	DWN. BR	DATE DWN. 3/18/16	APPR.
	BOTTOM PANEL		
	DRW NO.	BOX 2 BOTTOM	--

SUBMITTED FOR YOUR APPROVAL

DATE _____

PLEASE CHECK THE PRINT CAREFULLY AND MARK ALL
CHANGES REQUIRED.
THIS IS A PROPOSAL PRINT AND WILL NOT BE RELEASED
FOR PRODUCTION WITHOUT A SIGNED APPROVAL

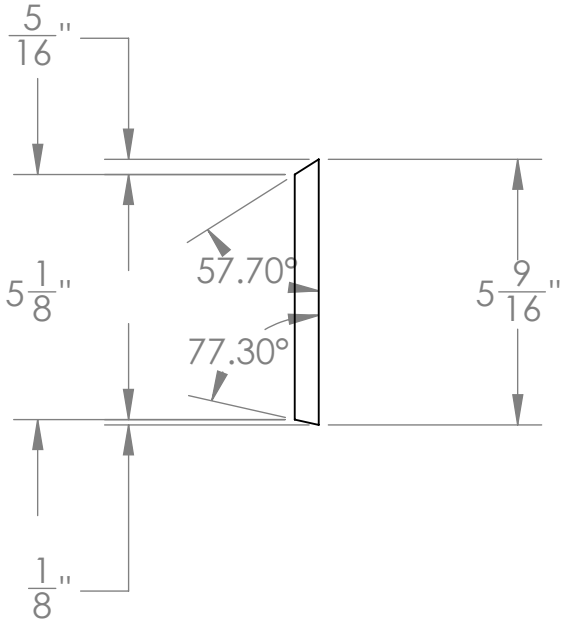
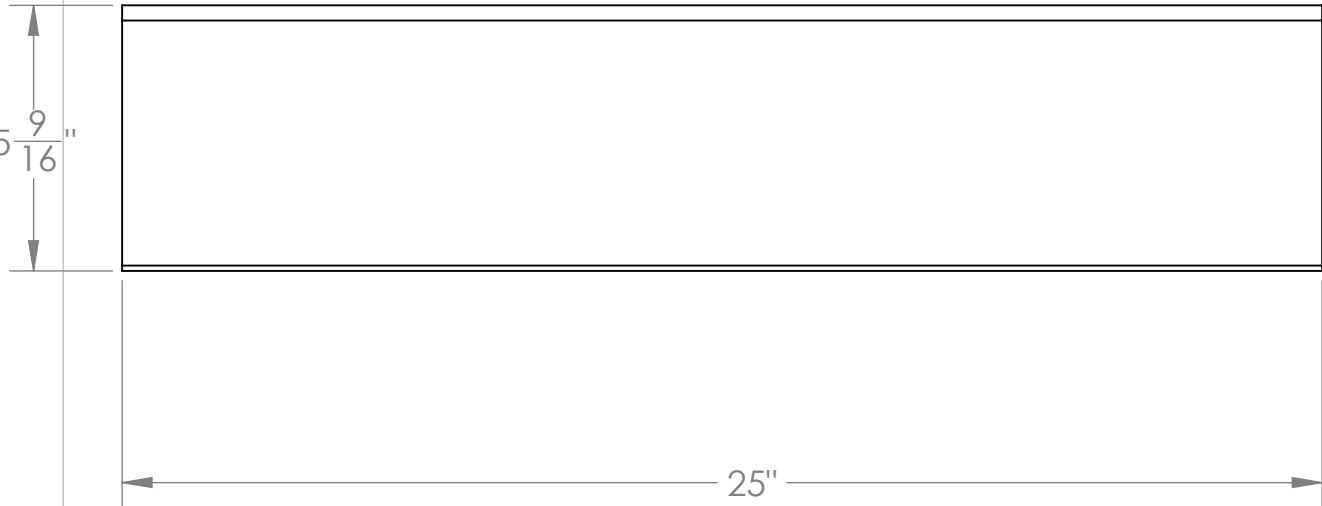


	DWN. BR	DATE DWN.3/18/16	APPR.
	FRONT PANEL		
DRW NO.	BOX 2 FRONT SIDE		--

SUBMITTED FOR YOUR APPROVAL

DATE _____

PLEASE CHECK THE PRINT CAREFULLY AND MARK ALL CHANGES REQUIRED.
THIS IS A PROPOSAL PRINT AND WILL NOT BE RELEASED FOR PRODUCTION WITHOUT A SIGNED APPROVAL

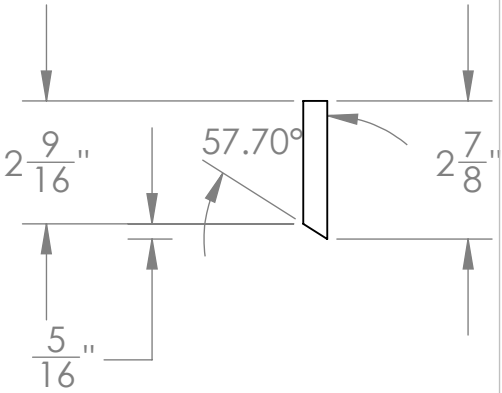
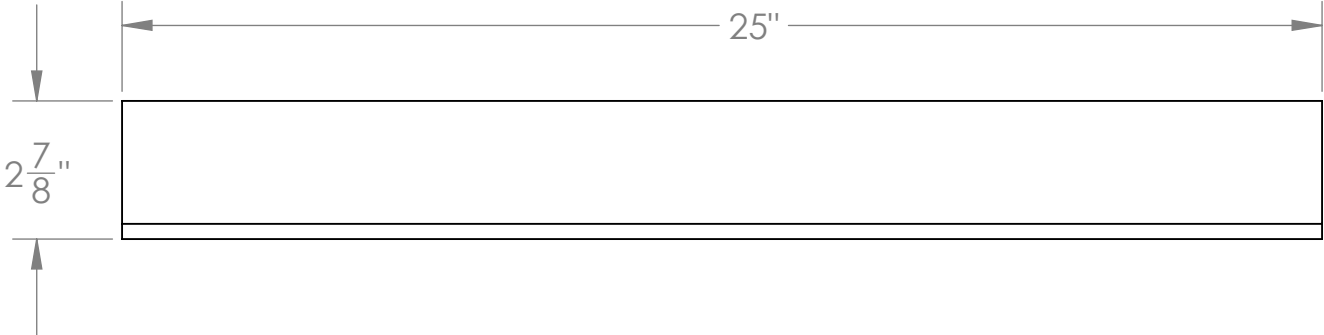


	DWN. BR	DATE DWN. 3/18/16	APPR.
	DRW NO. BOX 2 ANGLED BOTTOM		--

SUBMITTED FOR YOUR APPROVAL

DATE _____

PLEASE CHECK THE PRINT CAREFULLY AND MARK ALL CHANGES REQUIRED.
THIS IS A PROPOSAL PRINT AND WILL NOT BE RELEASED FOR PRODUCTION WITHOUT A SIGNED APPROVAL

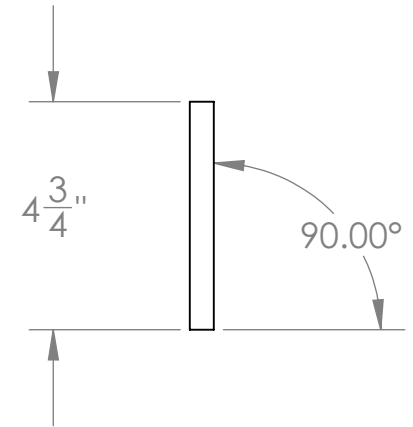
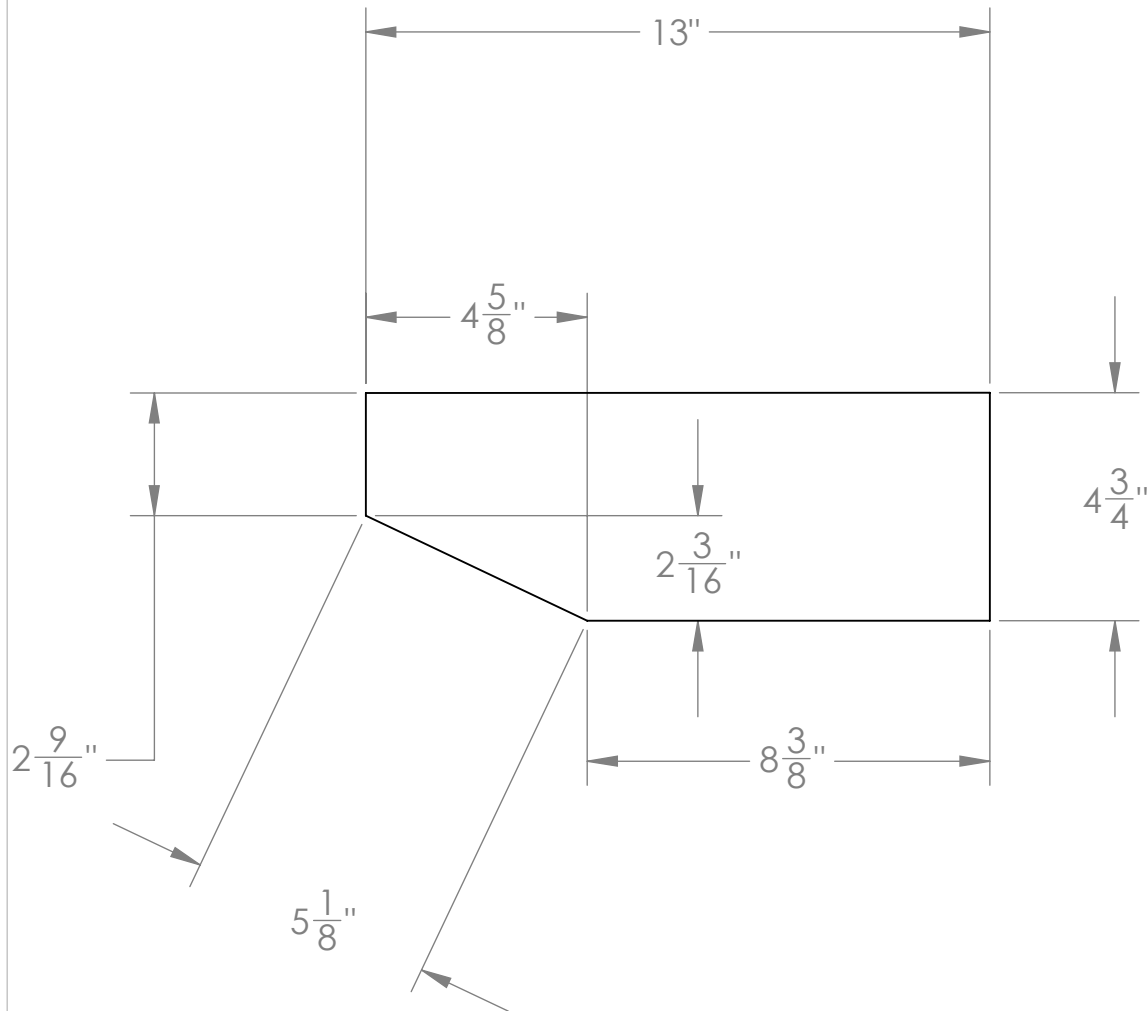


	DWN. BR	DATE DWN.3/18/16	APPR.
	DRW NO.	BOX 2 BACK	--

SUBMITTED FOR YOUR APPROVAL

DATE _____

PLEASE CHECK THE PRINT CAREFULLY AND MARK ALL
CHANGES REQUIRED.
THIS IS A PROPOSAL PRINT AND WILL NOT BE RELEASED
FOR PRODUCTION WITHOUT A SIGNED APPROVAL



DWN. BR

DATE DWN. 3/18/16

APPR.

SIDE (X2)

DRW NO.

BOX 2 SIDE

--