

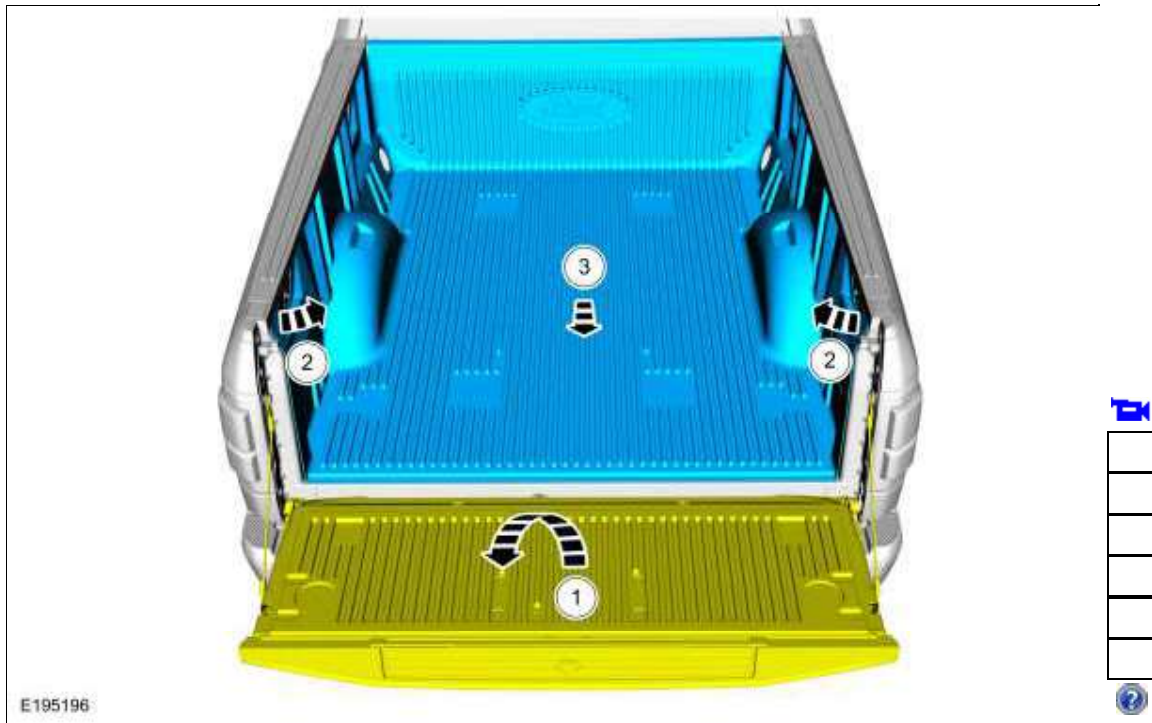


## Pickup Bed

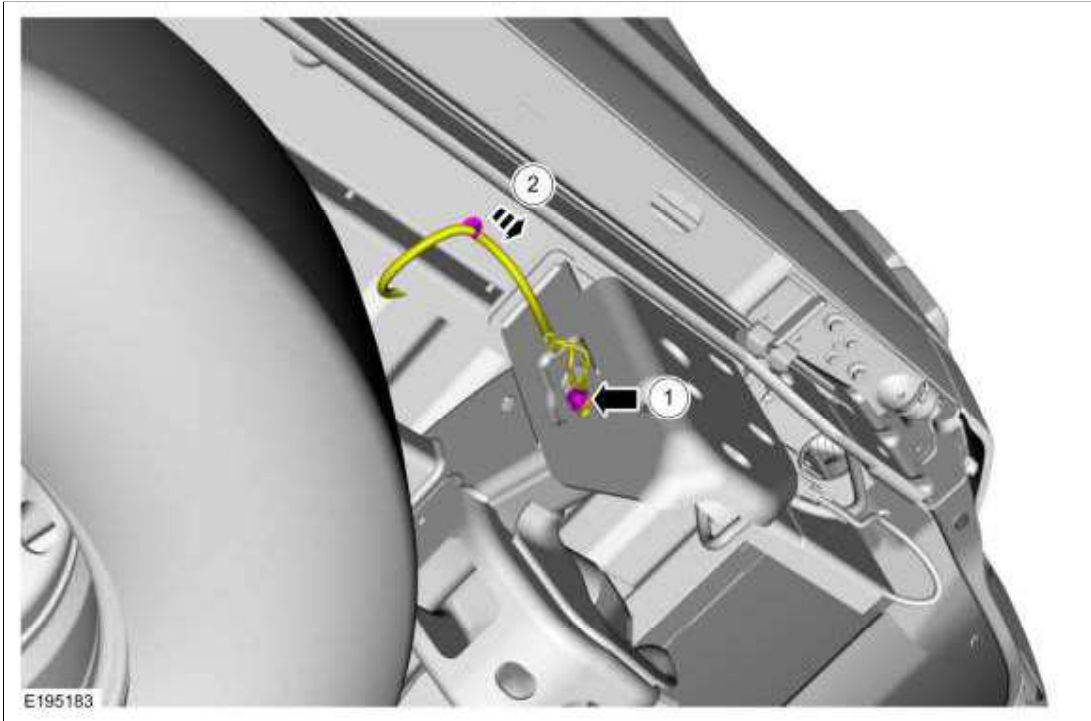
### Removal

**NOTE:** Removal steps in this procedure may contain installation details.

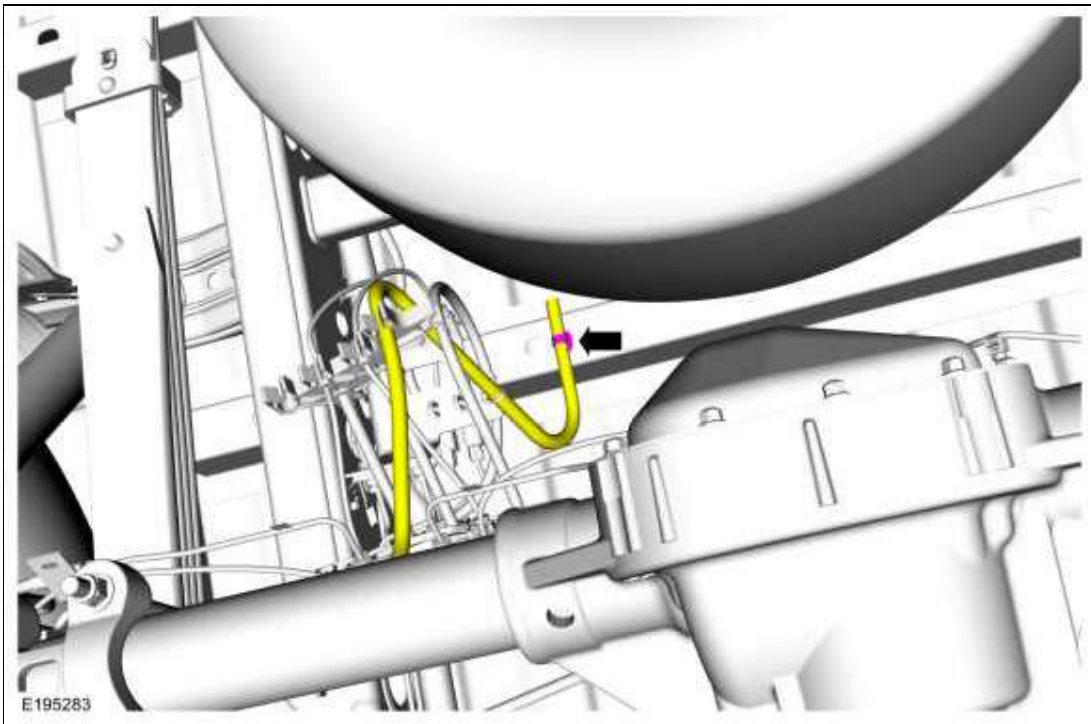
1. If equipped, remove the bed liner.
  1. Lower the tailgate.
  2. Pull the upper corners of the bed liner inward.
  3. Remove the bed liner



2. With the vehicle in NEUTRAL, position it on a hoist.  
Refer to: [Jacking and Lifting - Overview](#) (100-02 Jacking and Lifting, Description and Operation).
3. Remove the rear bumper.  
Refer to: [Rear Bumper](#) (501-19 Bumpers, Removal and Installation).
4. Remove the fuel filler pipe.  
Refer to: [Fuel Tank Filler Pipe](#) (310-01A Fuel Tank and Lines - 2.7L EcoBoost (238kW/324PS), Removal and Installation).  
Refer to: [Fuel Tank Filler Pipe](#) (310-01B Fuel Tank and Lines - 3.5L Duratec (209kW/284PS), Removal and Installation).  
Refer to: [Fuel Tank Filler Pipe](#) (310-01C Fuel Tank and Lines - 3.5L EcoBoost (272kW/370PS), Removal and Installation).  
Refer to: [Fuel Tank Filler Pipe](#) (310-01D Fuel Tank and Lines - 5.0L 32V Ti-VCT, Removal and Installation).
5.
  1. Remove the wiring harness ground screw.  
*Torque:* 177 lb.in (20 Nm)
  2. Unclip the wiring harness retainer.

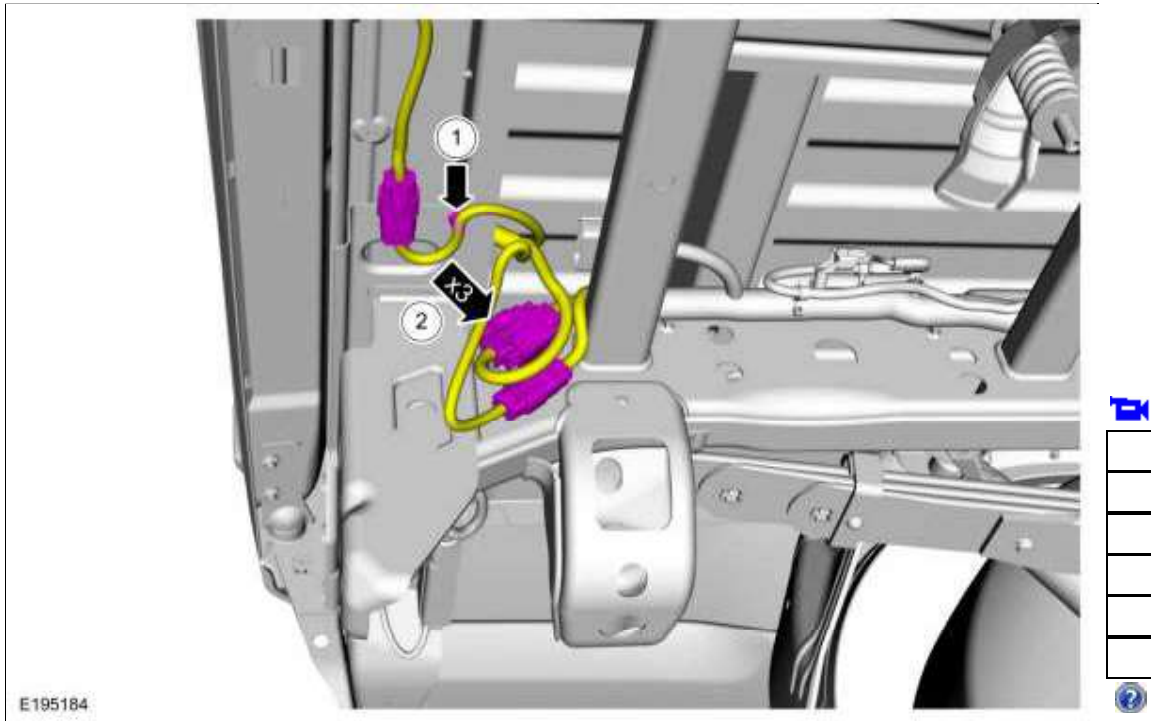


6. Unclip the axle vent tube clip from the pickup bed floor crossmember and position the tube to the side.



7. **NOTE:** Spare tire removed for clarity.

1. Unclip the wiring harness retainer.
2. Disconnect the wiring harness connectors.



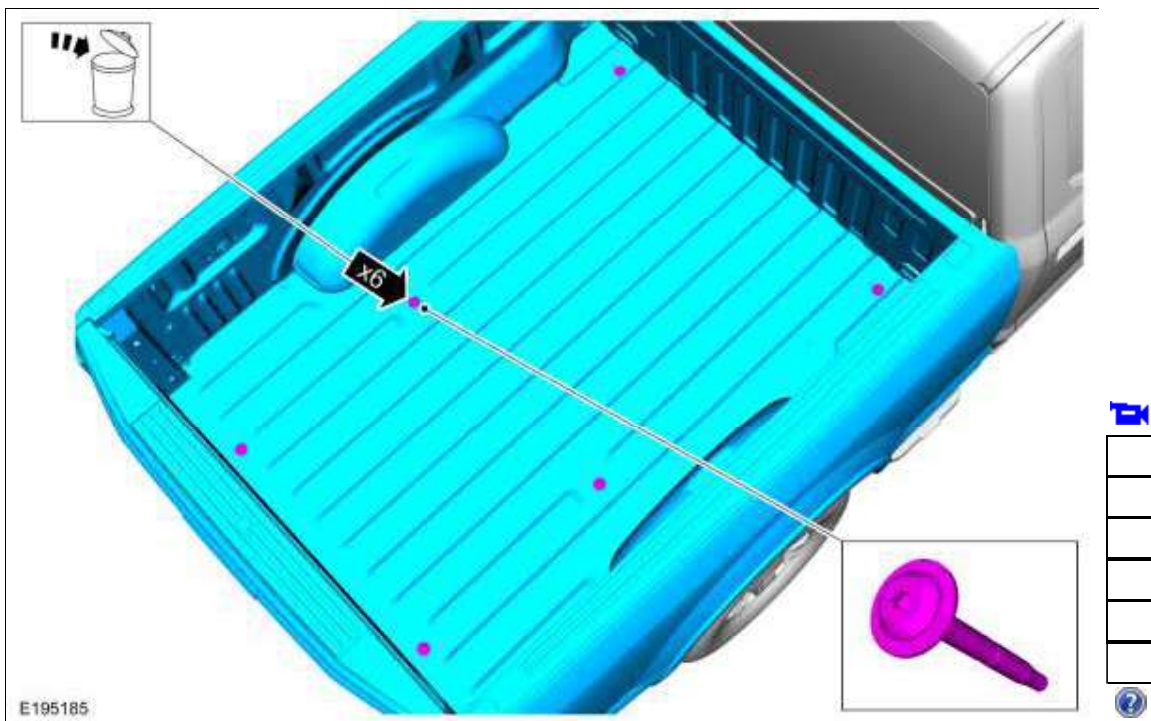
8. **NOTE:** 6.5-foot styleside pickup bed shown, all other styleside similar.

**NOTE:** All 8-foot pickup beds will have 8 bolts; all others will have 6 bolts.

**NOTE:** The pickup bed bolts are one-time-use only. Install new bolts whenever the bolts are removed.

Remove and discard the pickup bed bolts. Remove the pickup bed.

Torque: 59 lb.ft (80 Nm)



## Installation

1. To install, reverse the removal procedure.