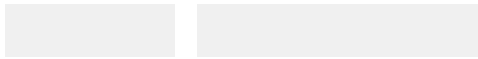
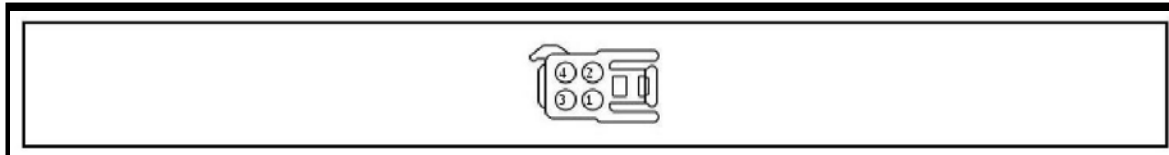
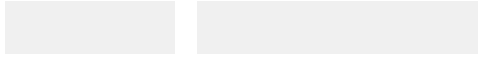
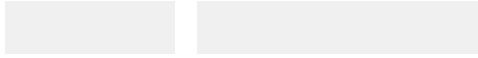


C3020

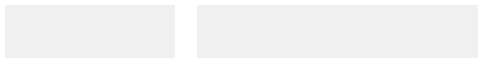
| | | | | | |
|-----------------------------------|--------------------------------|--------------|-------------------------|--------------------------------|------------------------------------|
| Connector: C3020 | Description : SUBWOOFER | Color | Harness : 14A005 | Base Part # : part# N/A | Service Pigtail : See Below |
|-----------------------------------|--------------------------------|--------------|-------------------------|--------------------------------|------------------------------------|

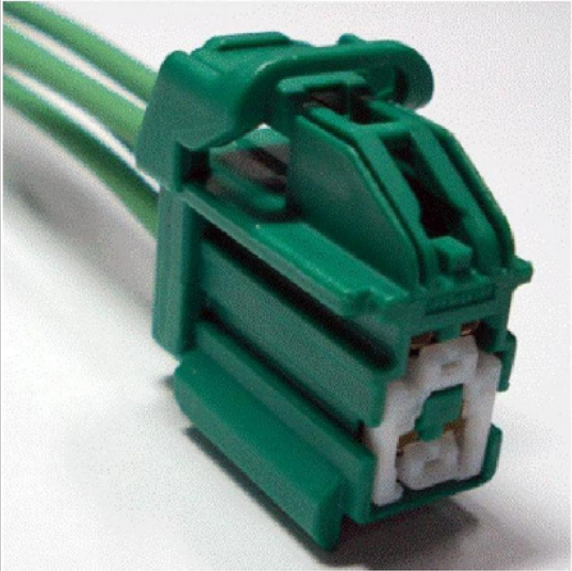


| Terminal Part Number | Service Part Number |
|----------------------|---------------------|
| AU5T-14474-DA | Not Available |

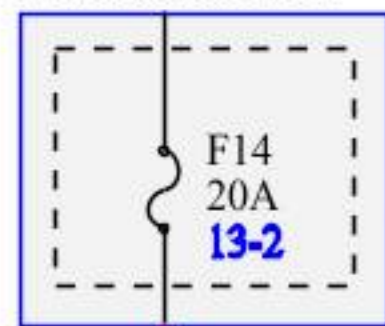


| Pin | Circuit | Gauge | Circuit Function | Qualifier | Terminal Part Number |
|-----|---------------|-------|--|-----------|----------------------|
| 1 | VME01 (GN-VT) | 22 | CTRL MOD. - AUDIO # SPEAKER SUBWOOFER LEFT REAR 1 + | | AU5T-14474-DA |
| 2 | RME01 (GY) | 22 | CTRL MOD. - AUDIO # SPEAKER SUBWOOFER LEFT REAR 1 - | | AU5T-14474-DA |
| 3 | VME02 (VT) | 22 | CTRL MOD. - AUDIO # SPEAKER SUBWOOFER RIGHT REAR 1 + | | AU5T-14474-DA |
| 4 | RME02 (YE) | 22 | CTRL MOD. - AUDIO # SPEAKER SUBWOOFER RIGHT REAR 1 - | | AU5T-14474-DA |

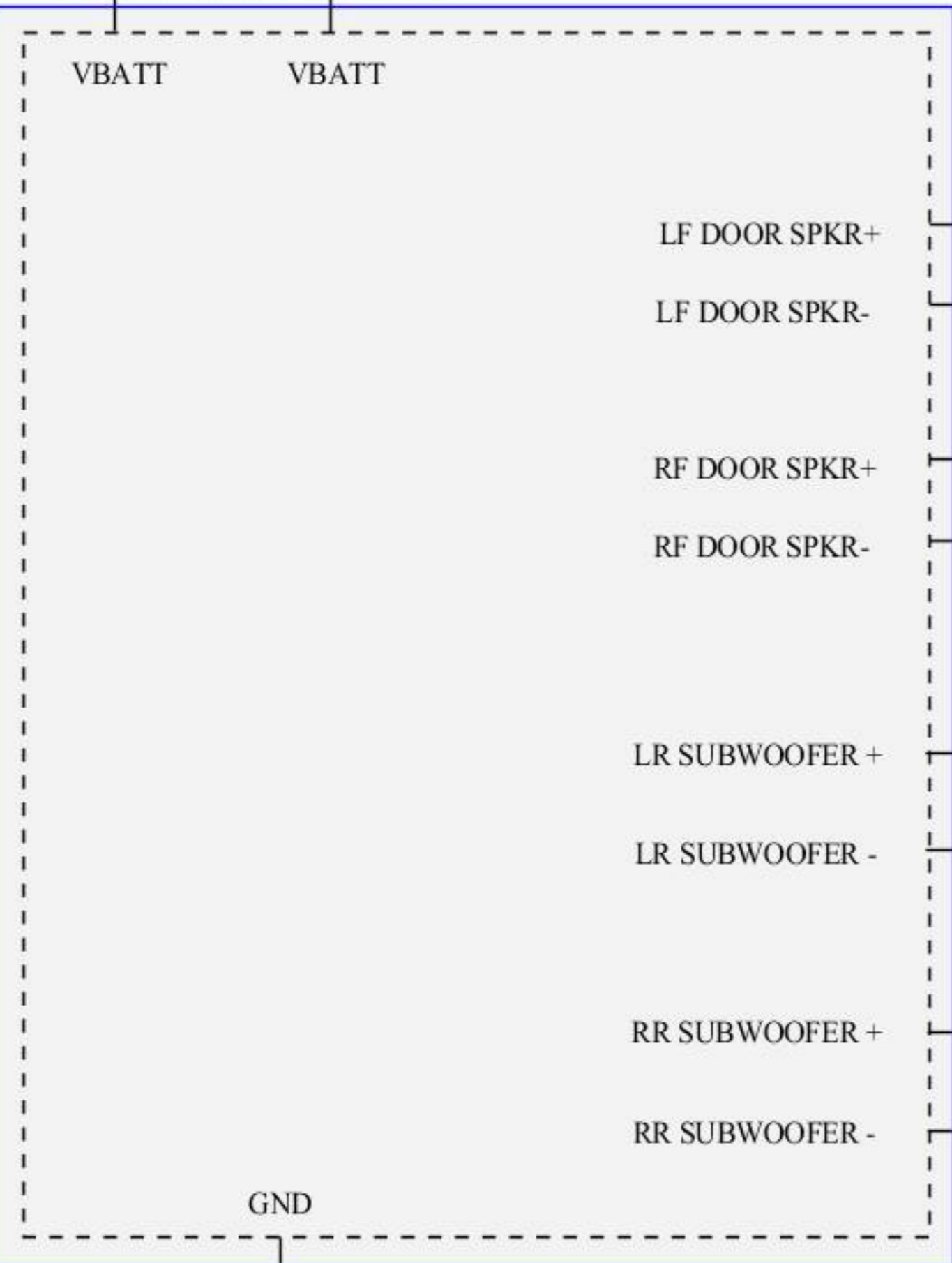
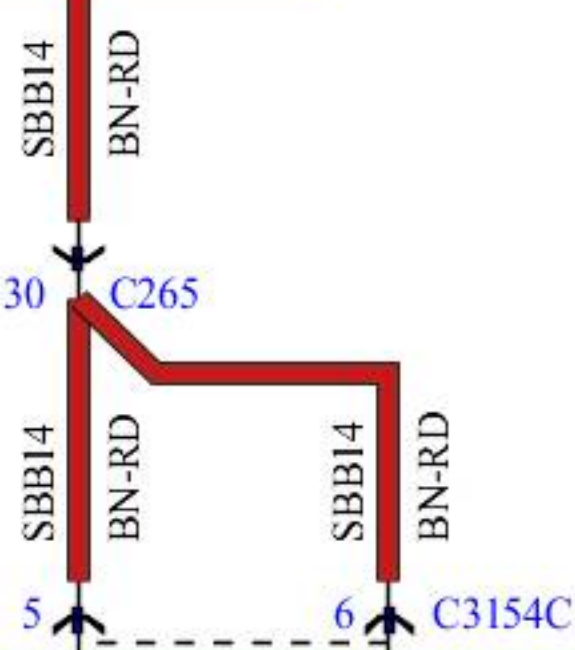


| | |
|---|--|
| <p>Available Pigtail Kits</p> <p>Pigtail Kit Part Number WPT-1016</p>  | <p>Service Part Number: 3U2Z-14S411-FFB</p> <p>Gauge: 14</p> <p>Pin material: Silver</p> <p>Cavities: 4</p> <p>Vehicle Uses</p> <ul style="list-style-type: none"> ● Motor - Steering Column Adjust ● Speaker - Subwoofer ● Transceiver - Passive Anti-Theft (PATS) |
|---|--|

Hot in Start or Run



BATTERY JUNCTION BOX (BJB) 11-1



AUDIO DIGITAL SIGNAL PROCESSING (DSP) MODULE 151-26

