

## Engine Oil Draining and Filling

### Special Tool(s) / General Equipment

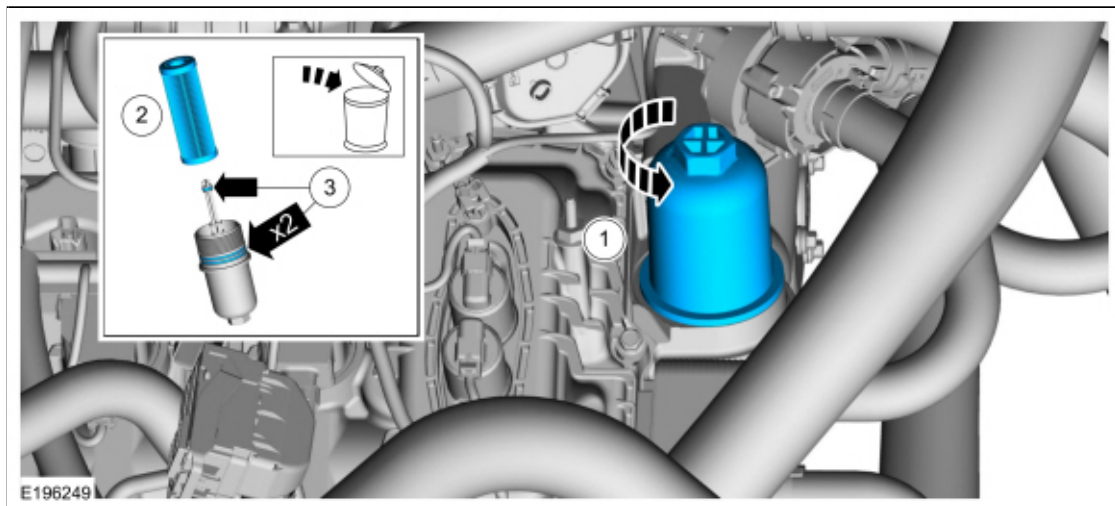
Oil Drain Equipment
---------------------

### Materials

Name	Specification
Engine Oil - SAE 5W-30 - Synthetic Blend Motor Oil XO-5W30-Q1SP	WSS-M2C946-B1

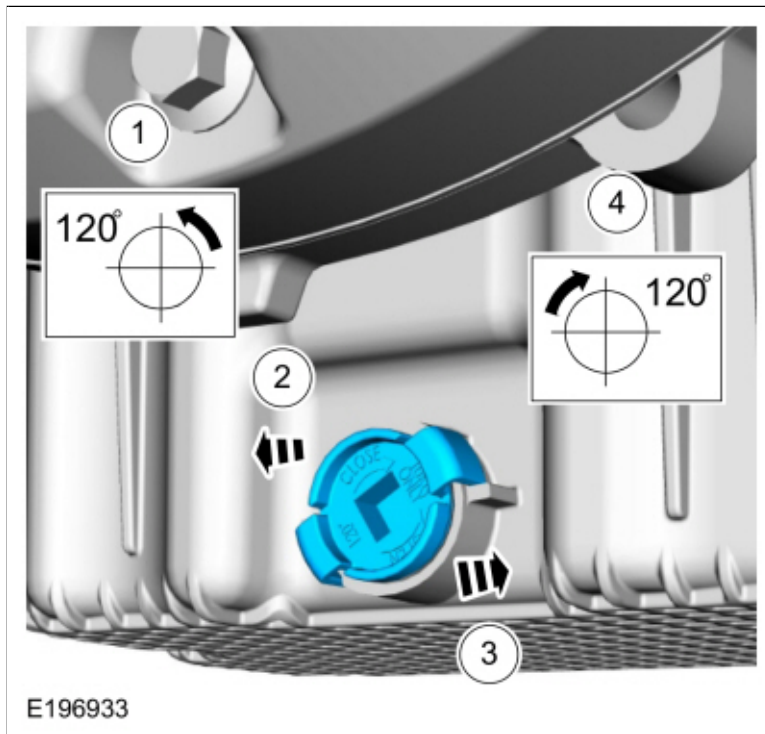
### Draining

- With the vehicle in NEUTRAL, position it on a hoist.  
Refer to: [Jacking and Lifting - Overview](#) (100-02 Jacking and Lifting, Description and Operation).
- NOTE:** Use a shop towel when removing the oil filter housing to prevent oil from spilling on the engine or accessory components.
  - Loosen the oil filter housing and allow the oil to drain out of the housing and down into the engine.
  - Remove the oil filter housing and discard the oil filter element.
  - Remove and discard the O-ring seals.



- NOTE:** The drain plug should be removed and installed by hand, do not use tools.
  - Turn the oil drain plug by hand counterclockwise 120 degrees.  
Use the General Equipment: Oil Drain Equipment
  - Pull the oil drain plug out of the oil pan.
  - After the oil has drained, push the oil drain plug into the oil pan.
  - NOTICE:** Overtightening will damage the oil drain plug and possibly the oil pan.

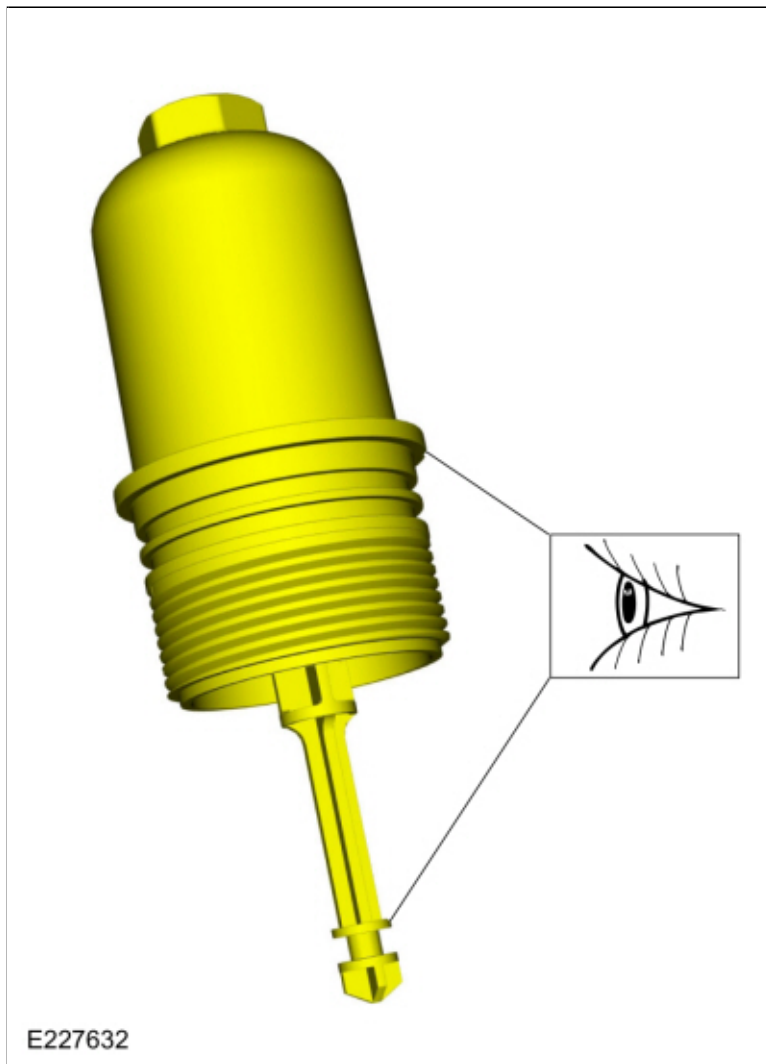
Turn the oil drain plug by hand clockwise 120 degrees.



### Filling

1. **NOTE:** *If the filter housing stem is damaged or missing the oil will flow through the reservoir drain port and a **loss** of engine oil pressure will occur.*

Inspect the oil filter housing and stem for damage including cracks or separation of the stem from the housing. If damaged, a new oil filter housing assembly must be installed.



2.

- **NOTE:** Failure to install new oil filter housing-to-engine front cover seals may result in oil leakage.

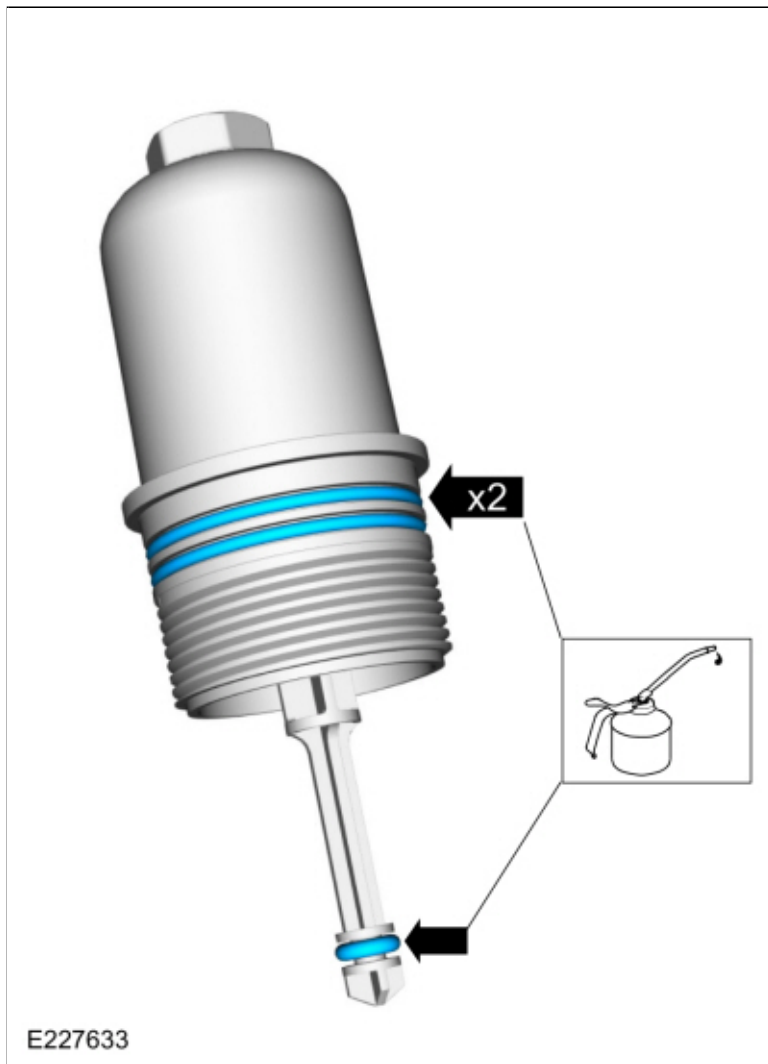
Install new oil filter housing-to-engine front cover seals and lubricate with clean engine oil.

*Material:* Engine Oil - SAE 5W-30 - Synthetic Blend Motor Oil / XO-5W30-Q1SP (WSS-M2C946-B1)

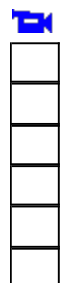
- **NOTE:** Failure to install a new oil filter housing stem-to-oil reservoir drain port seal will result with the oil flowing through the reservoir drain port and a **loss** of engine oil pressure.

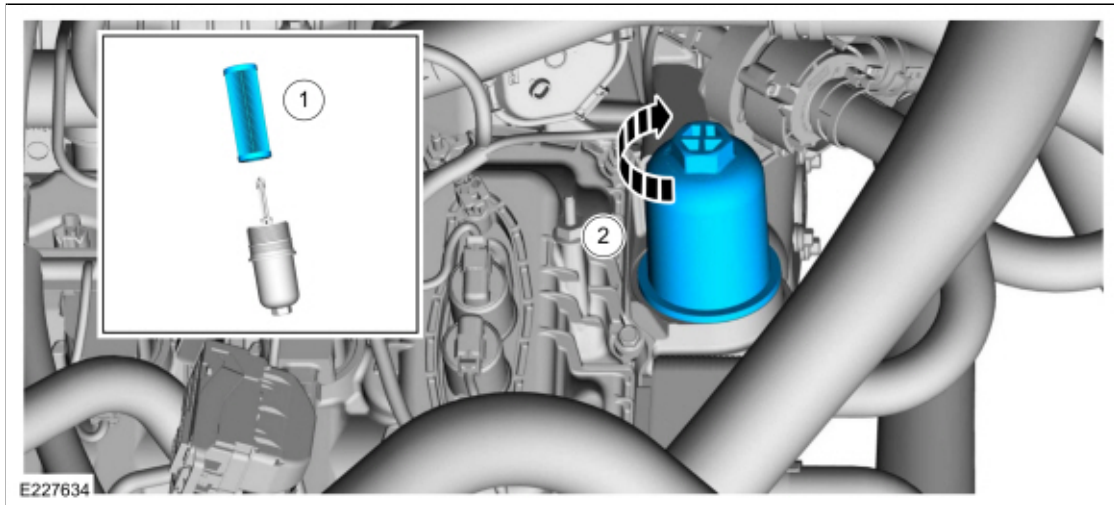
Install a new oil filter housing stem-to-oil reservoir drain port seal and lubricate with clean engine oil.

*Material:* Engine Oil - SAE 5W-30 - Synthetic Blend Motor Oil / XO-5W30-Q1SP (WSS-M2C946-B1)

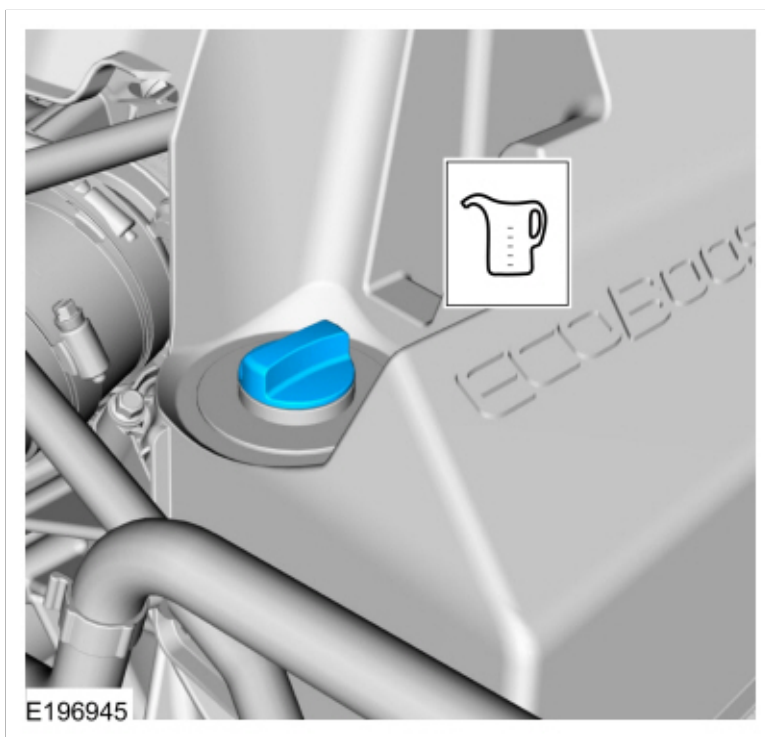


- 3.
  - 1. Install a new oil filter element.
  - 2. Install the oil filter housing.  
*Torque: 18 lb.ft (24 Nm)*

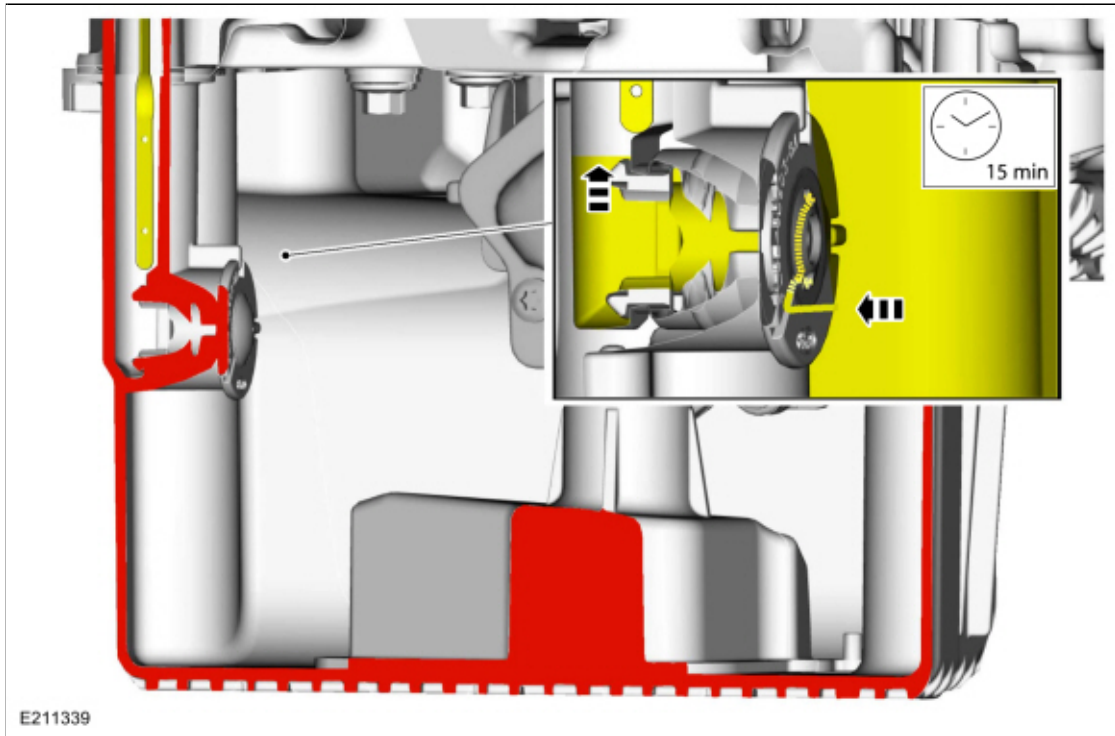




4. Fill the engine with clean engine oil.  
 Refer to: [Specifications](#) (303-01A Engine - 2.7L EcoBoost (238kW/324PS), Specifications).  
 Material: Engine Oil - SAE 5W-30 - Synthetic Blend Motor Oil / XO-5W30-Q1SP (WSS-M2C946-B1)



5. After filling the engine with oil, the oil must flow from the main chamber of the oil pan, through a check valve into the smaller side chamber to correctly register the oil level on the oil level indicator. This may take up to 15 minutes.



Copyright © 2019 Ford Motor Company