

Thermostat Housing

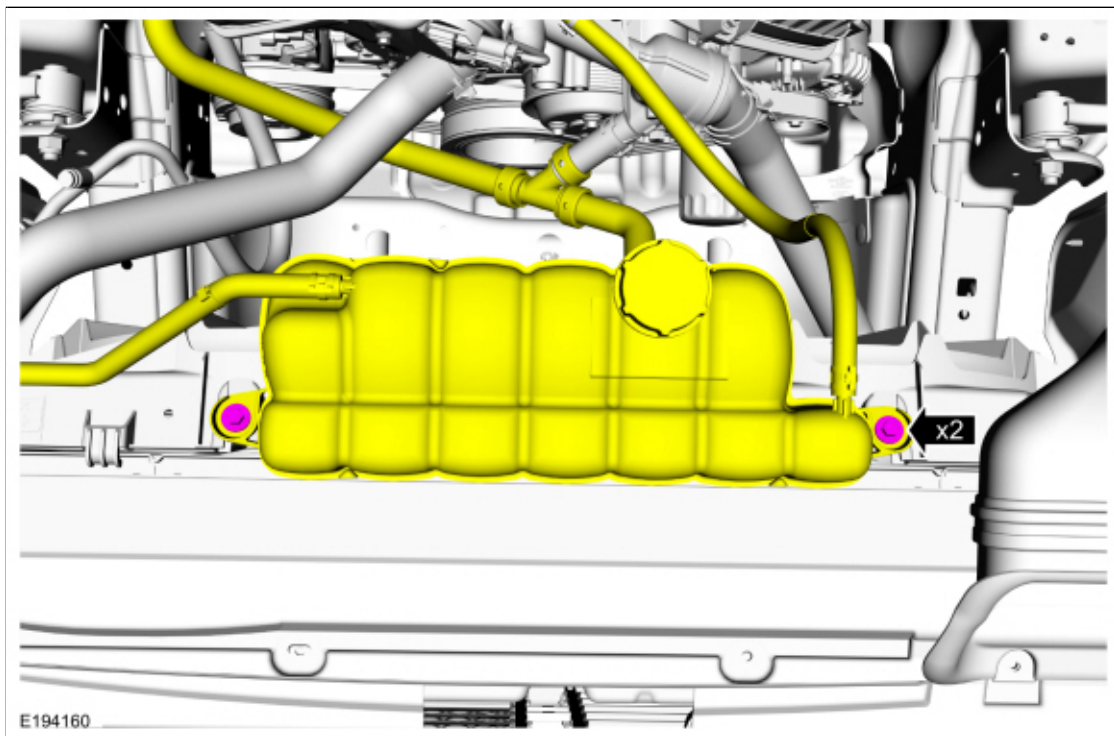
Special Tool(s) / General Equipment

Hose Clamp Remover/Installer

Removal

NOTE: Removal steps in this procedure may contain installation details.

1. Drain the cooling system.
Refer to: [Engine Cooling System Draining, Vacuum Filling and Bleeding](#) (303-03B Engine Cooling - 3.3L Duratec-V6, General Procedures).
2. Remove the air cleaner outlet pipe.
Refer to: [Air Cleaner Outlet Pipe](#) (303-12B Intake Air Distribution and Filtering - 3.3L Duratec-V6, Removal and Installation).
3. Remove the bolts and position the degas bottle aside.
Torque: 62 lb.in (7 Nm)

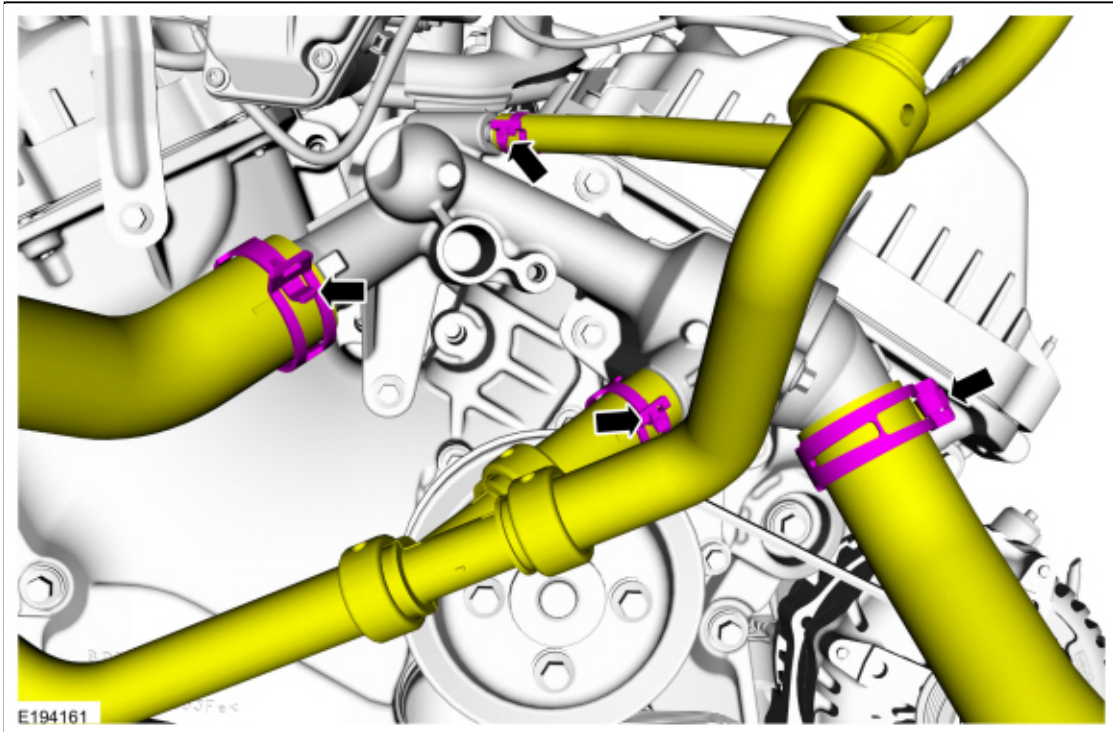


4. **NOTICE:** Cover the accessory drive belts to prevent coolant contamination of the belts.

Completely cover the accessory drive belts with waterproof plastic.

5.

- Disconnect the coolant hoses.
Use the General Equipment: Hose Clamp Remover/Installer
- If equipped, disconnect the block heater electrical connector and detach the wiring harness retainer.

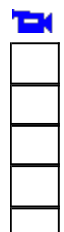


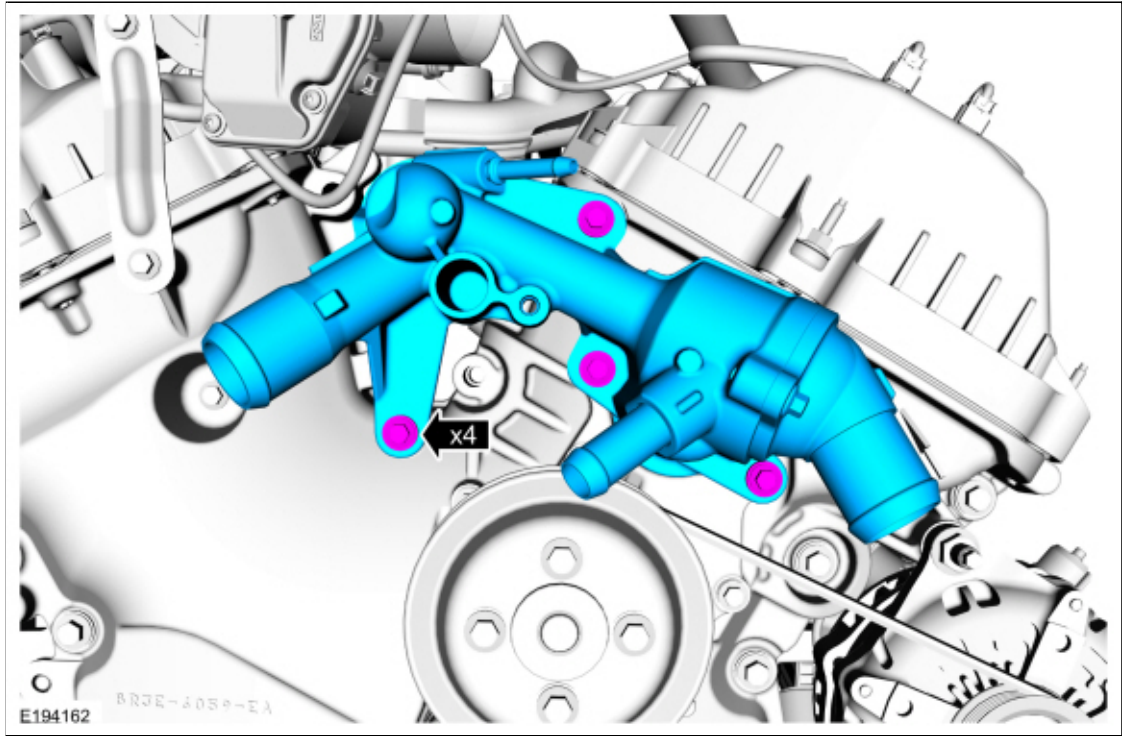
6. Remove the bolts and the thermostat housing.

Torque:

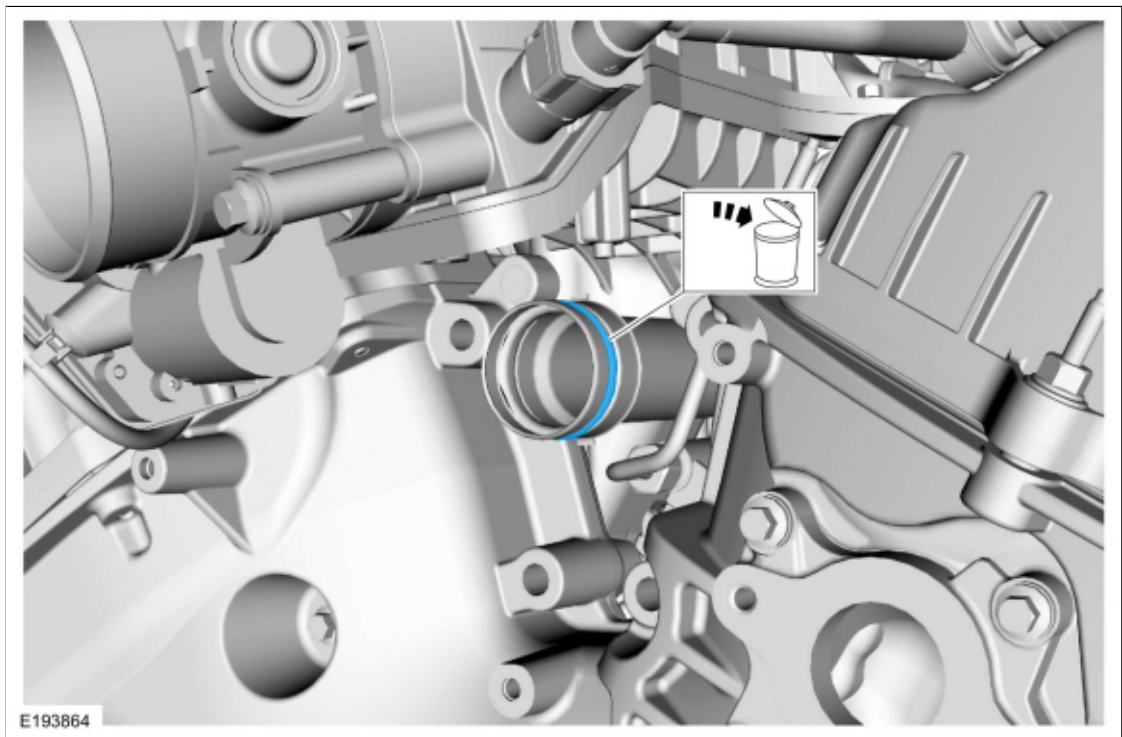
Stage 1: 71 lb.in (8 Nm)

Stage 2: 45°

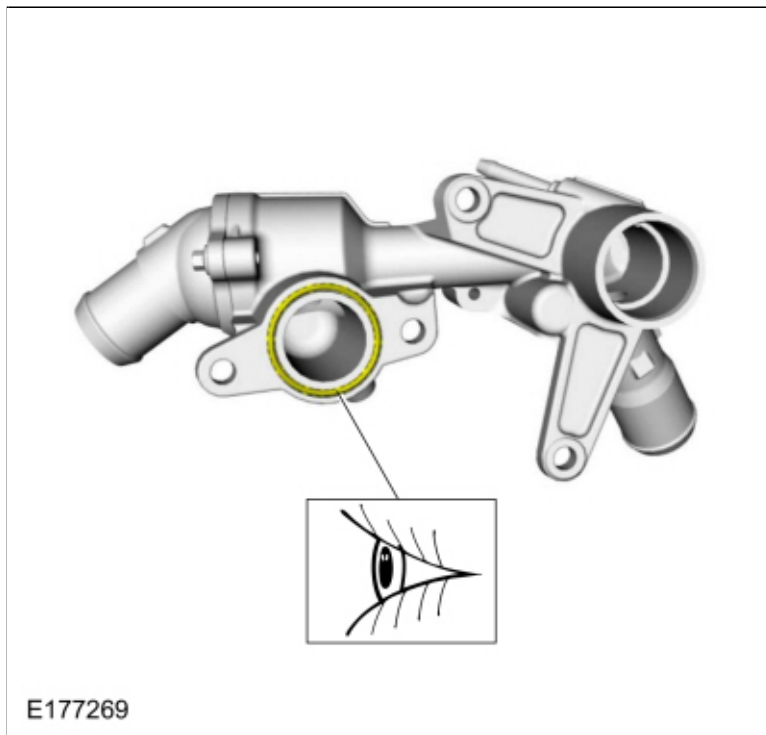




7. Remove and discard the O-ring seal.

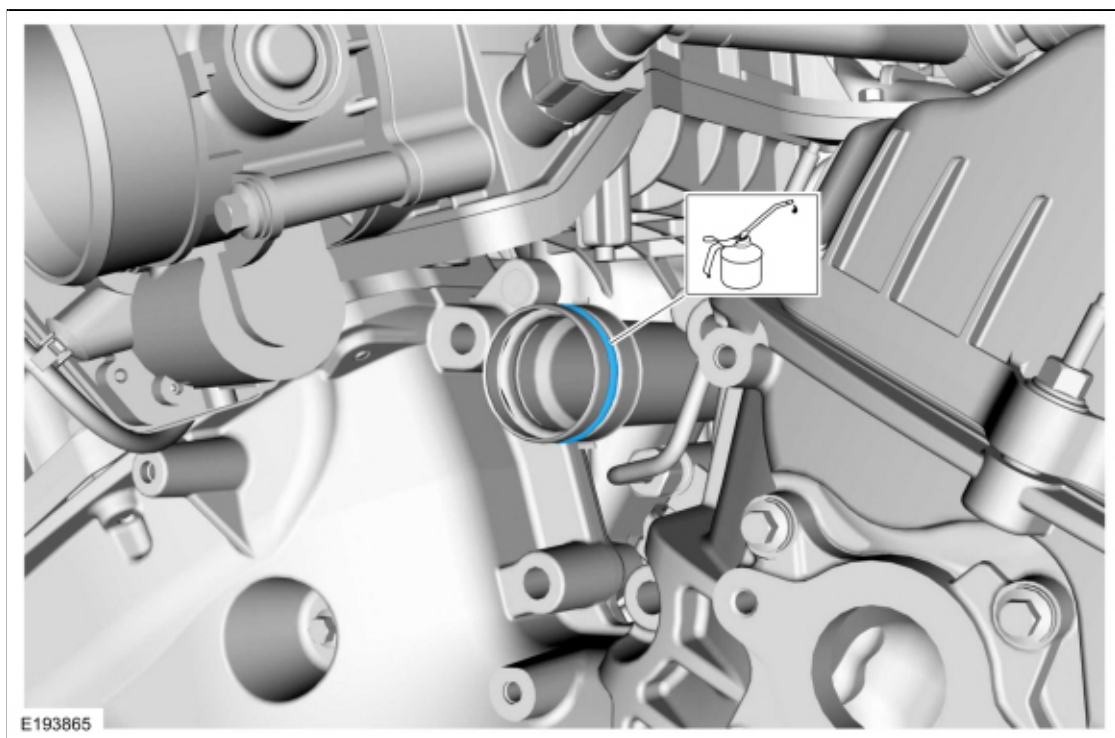


8. Inspect the O-ring seal and replace if necessary.



Installation

1. Install a new O-ring seal and lubricate it with clean engine coolant.
Refer to: [Specifications](#) (303-03B Engine Cooling - 3.3L Duratec-V6, Specifications).



2. To install, reverse the removal procedure.

3. Fill and bleed the cooling system.
Refer to: [Engine Cooling System Draining, Vacuum Filling and Bleeding](#) (303-03B Engine Cooling - 3.3L Duratec-V6, General Procedures).

Copyright © 2019 Ford Motor Company
