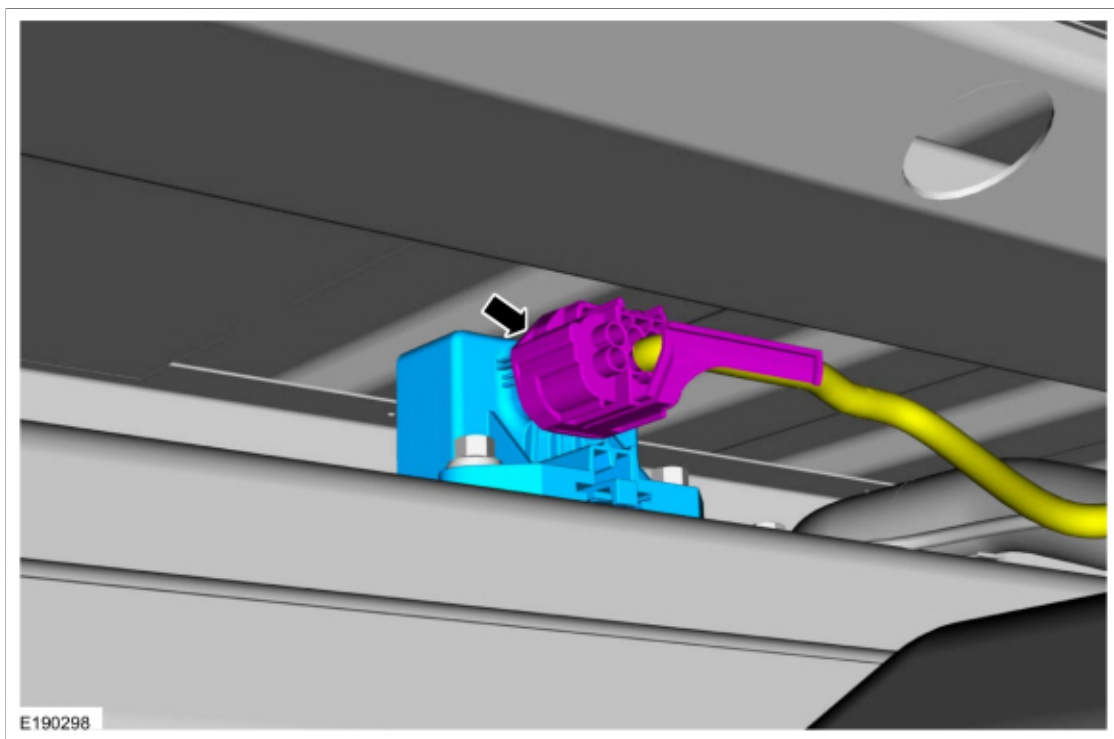


## Fuel System Pressure Release

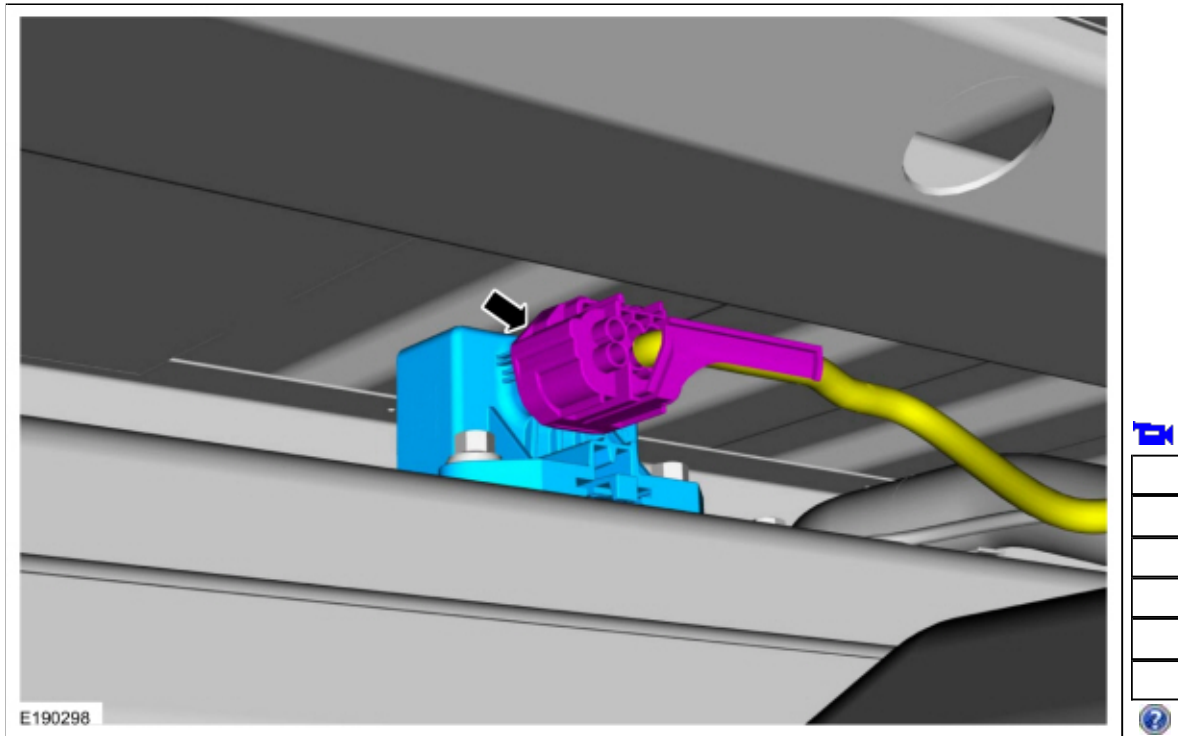
### Pressure release

1. With the vehicle in NEUTRAL, position it on a hoist.  
Refer to: [Jacking and Lifting - Overview](#) (100-02 Jacking and Lifting, General Procedures).
2. **NOTE:** *The Fuel Pump driver Module is located on the frame rail above the fuel tank.*

Disconnect the fuel pump driver module electrical connector.



3. Start the engine and allow it to idle until it stalls.
4. After the engine stalls, crank the engine for approximately 5 seconds to make sure the fuel rail pressure has been released.
5. Turn the ignition switch to the OFF position.
6. When the fuel system service is complete, reconnect the fuel pump driver module electrical connector.



7. Cycle the ignition key and wait 3 seconds to pressurize the fuel system. Check for leaks before starting the engine.
8. When service on the fuel system is completed, start the engine and check for leaks.

Copyright © 2019 Ford Motor Company

---

