



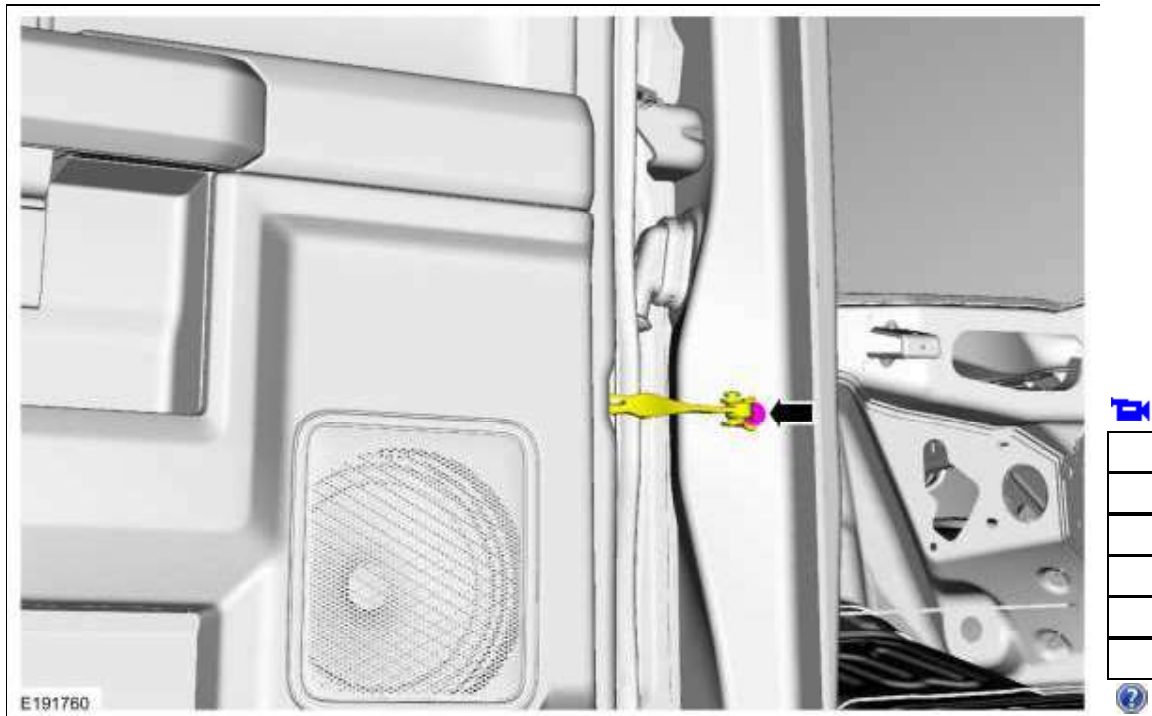
Front Door Check Arm

Removal

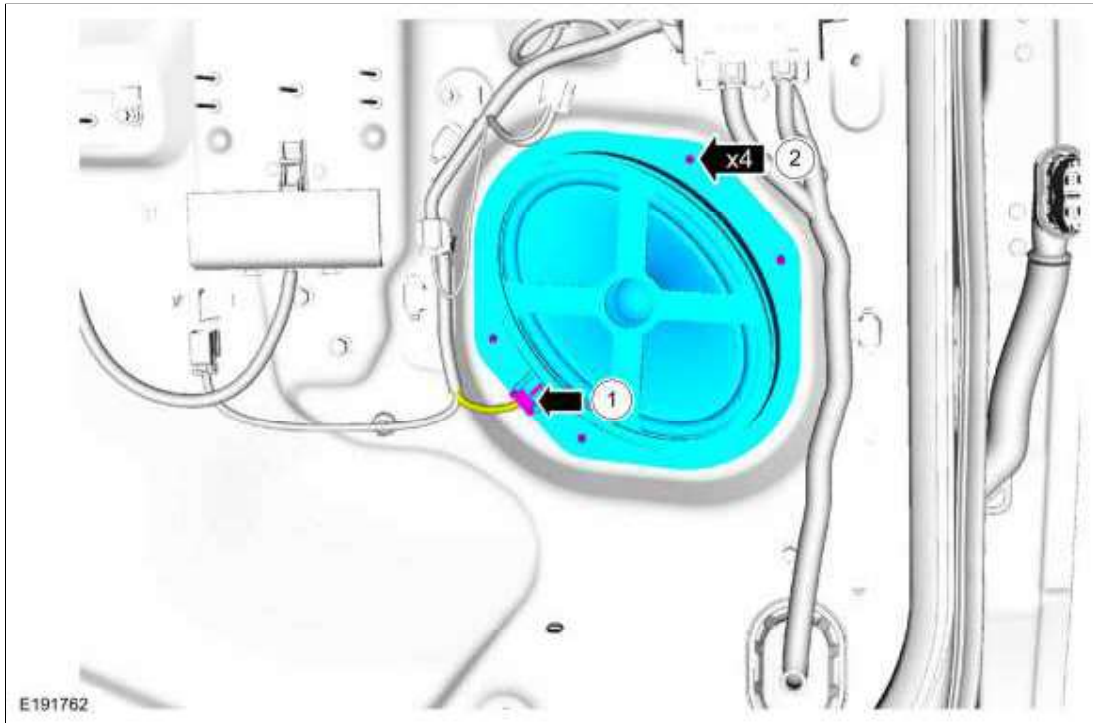
NOTE: Removal steps in this procedure may contain installation details.

NOTE: LH side shown, RH side similar.

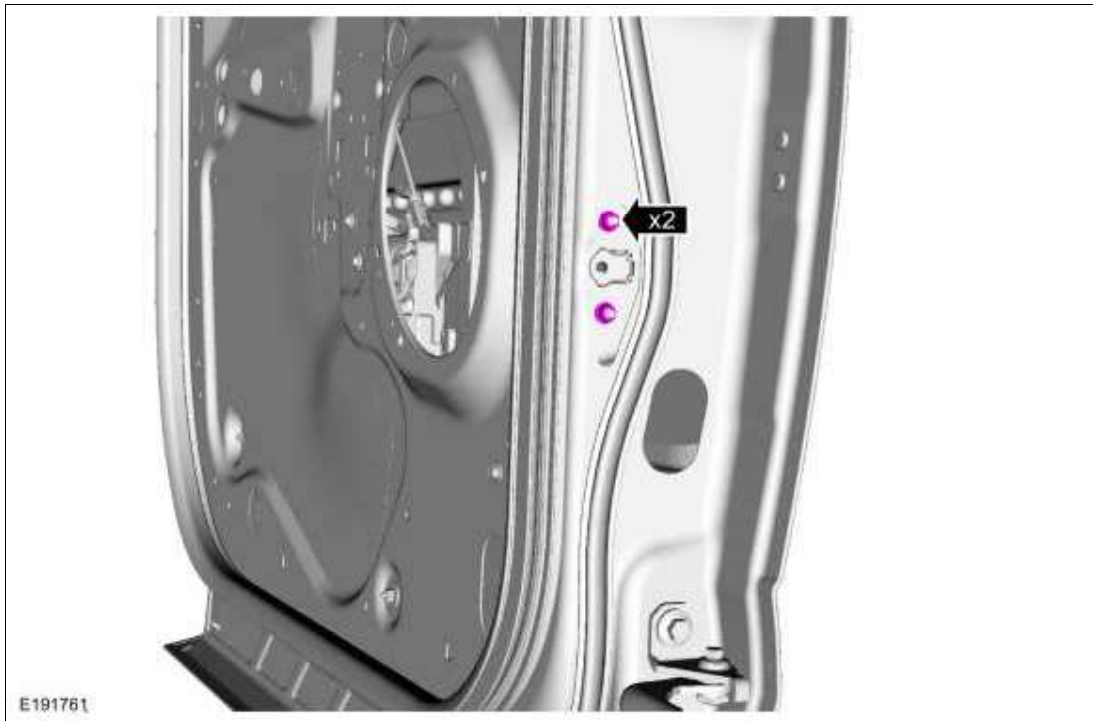
1. Remove the check arm bolt.
Torque: 17 lb.ft (22.5 Nm)



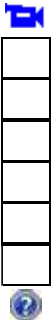
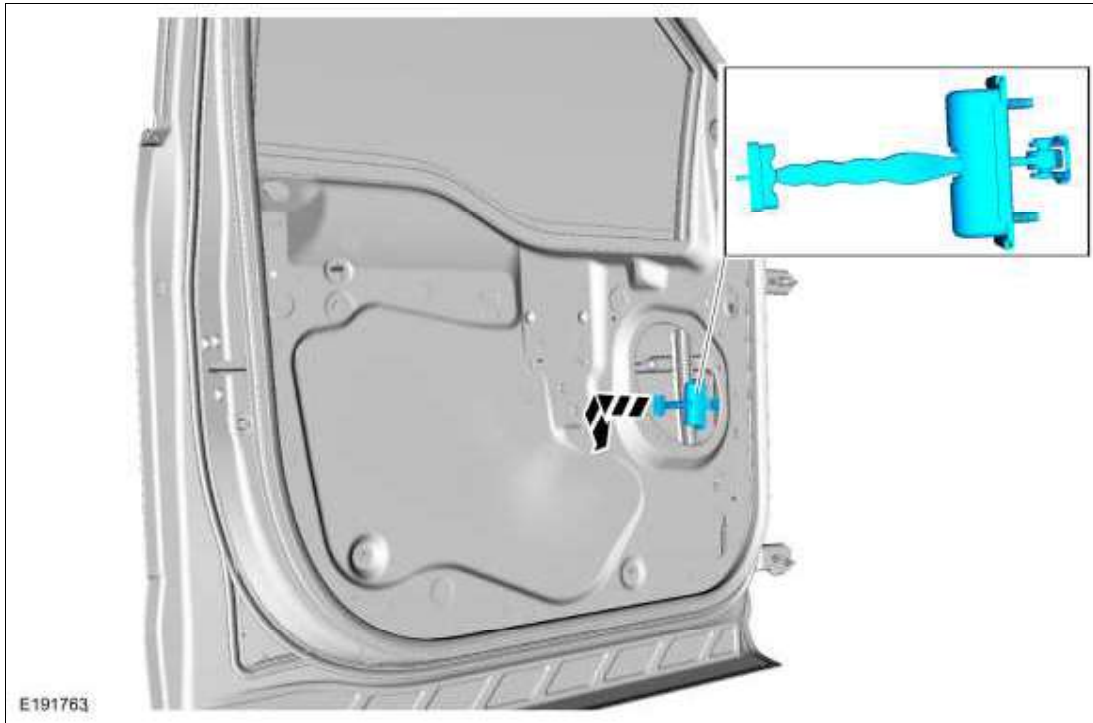
2. Remove the front door trim panel.
Refer to: [Front Door Trim Panel](#) (501-05 Interior Trim and Ornamentation, Removal and Installation).
3. Remove the speaker.
 1. Disconnect the electrical connector.
 2. Remove the bolts and the speaker.



4. Remove the nuts.
Torque: 80 lb.in (9 Nm)



5. Remove the check arm assembly.



Installation

1. To install, reverse the removal procedure.