

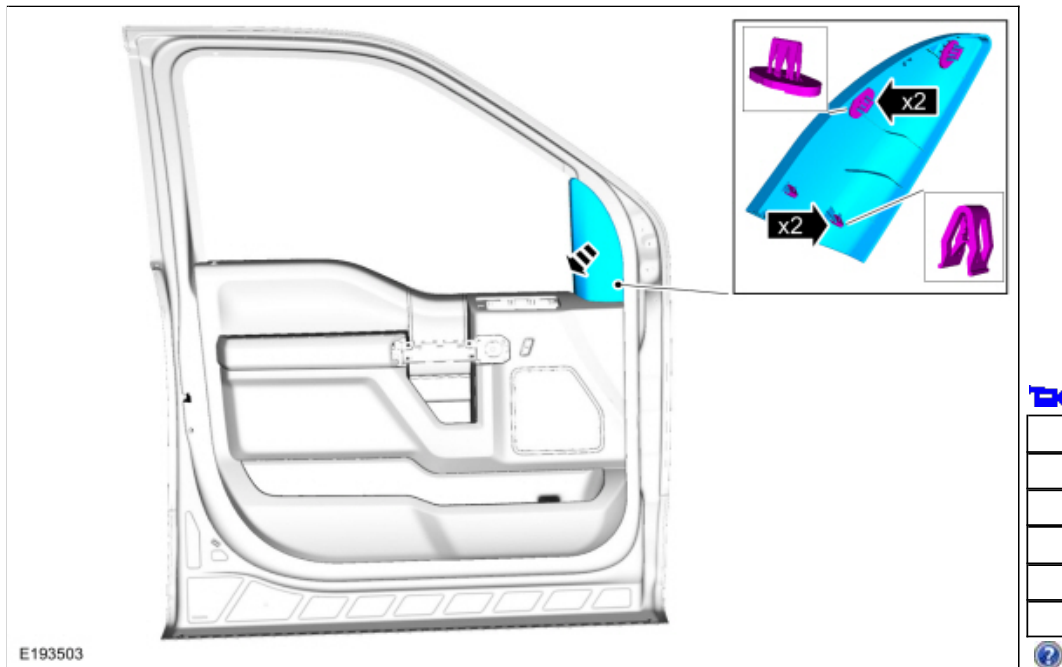
**Front Door Trim Panel**

Base Part Number: 23942

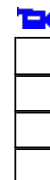
**Removal**

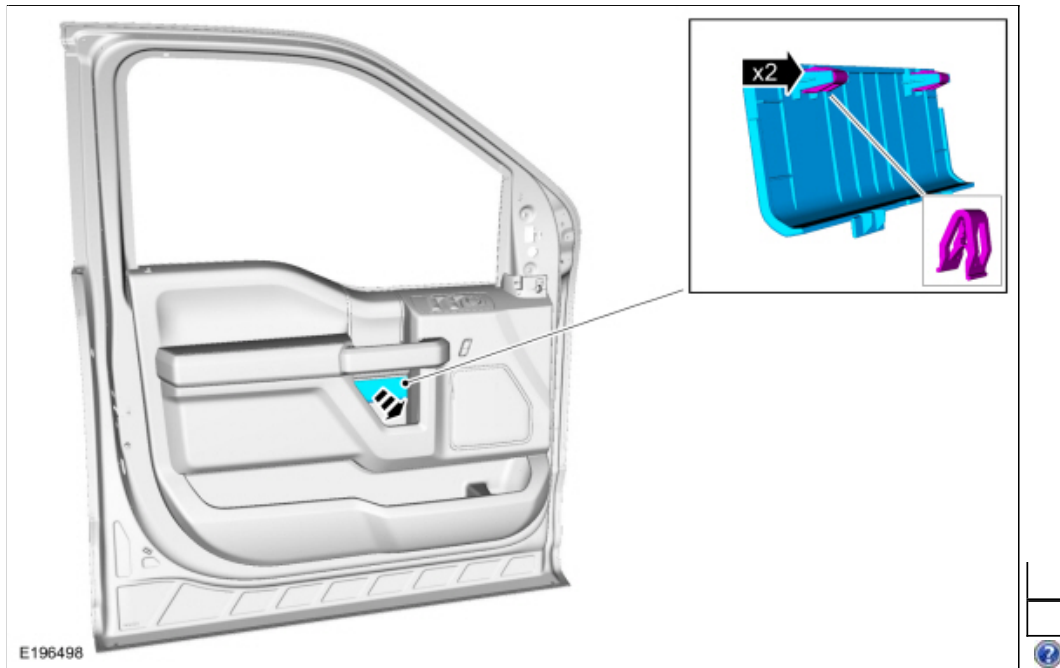
**NOTE:** LH side shown, RH side similar.

1. Release the clips and remove the sail panel trim cover.

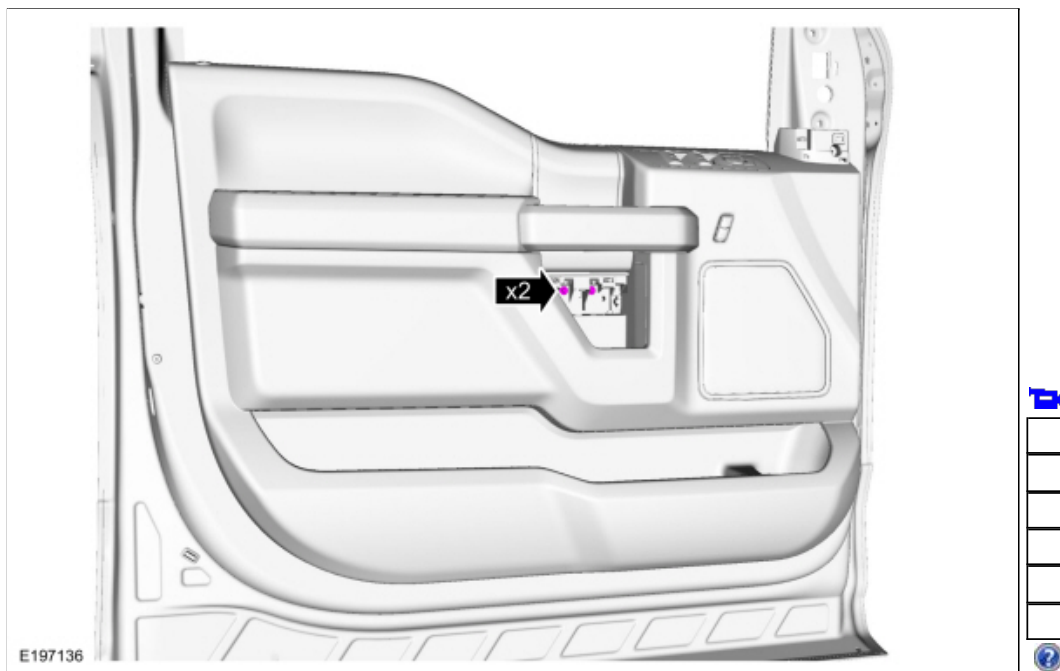


2. Release the clips and remove the door handle trim cover.

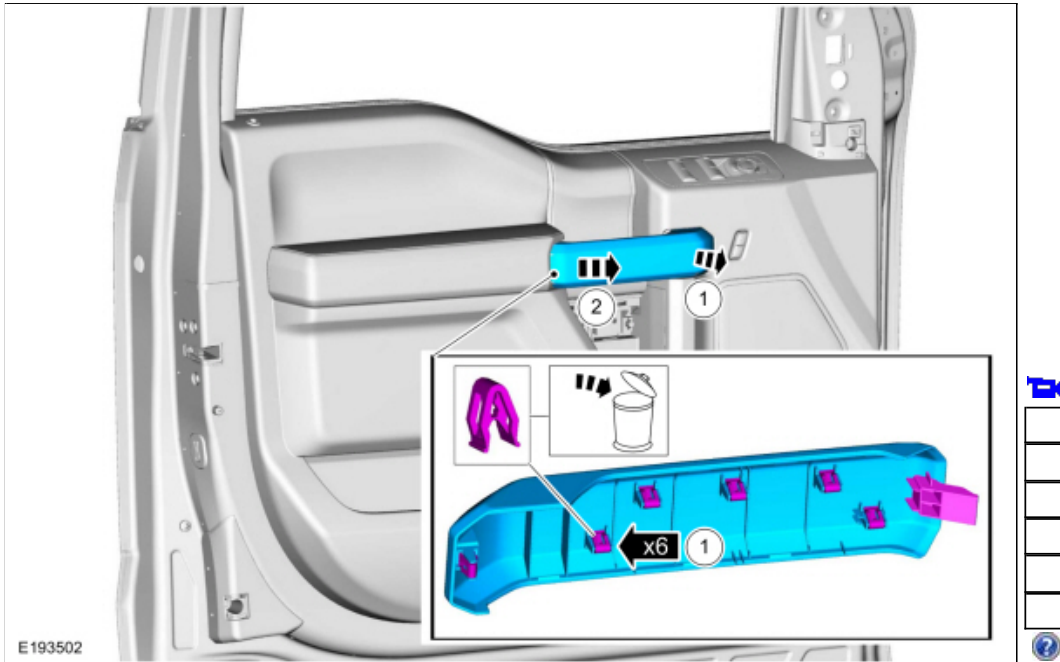




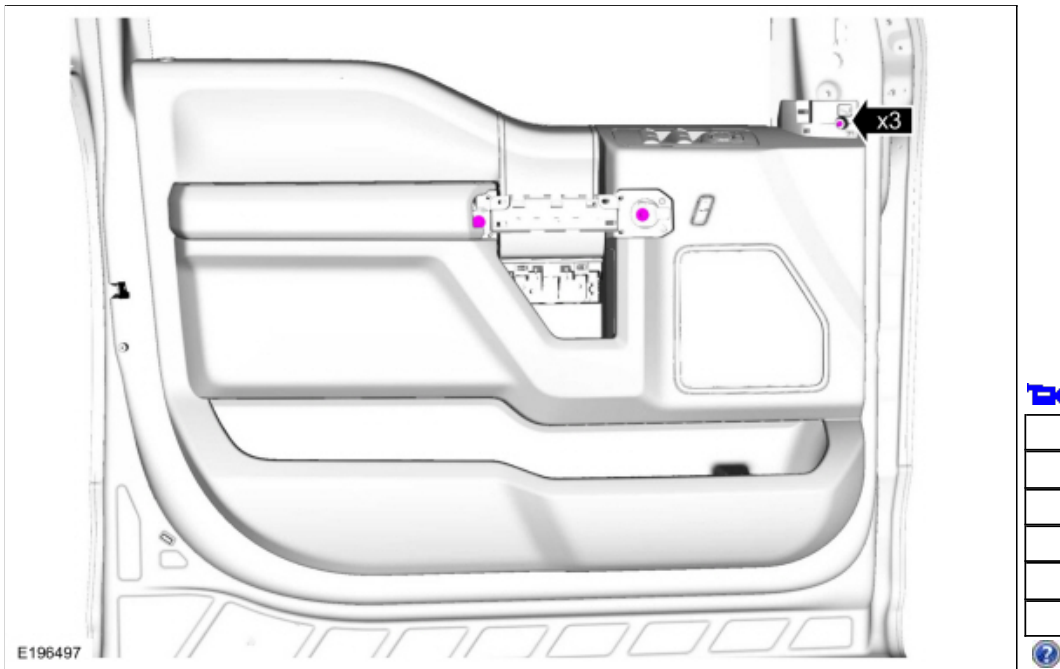
3. Remove the retainers.



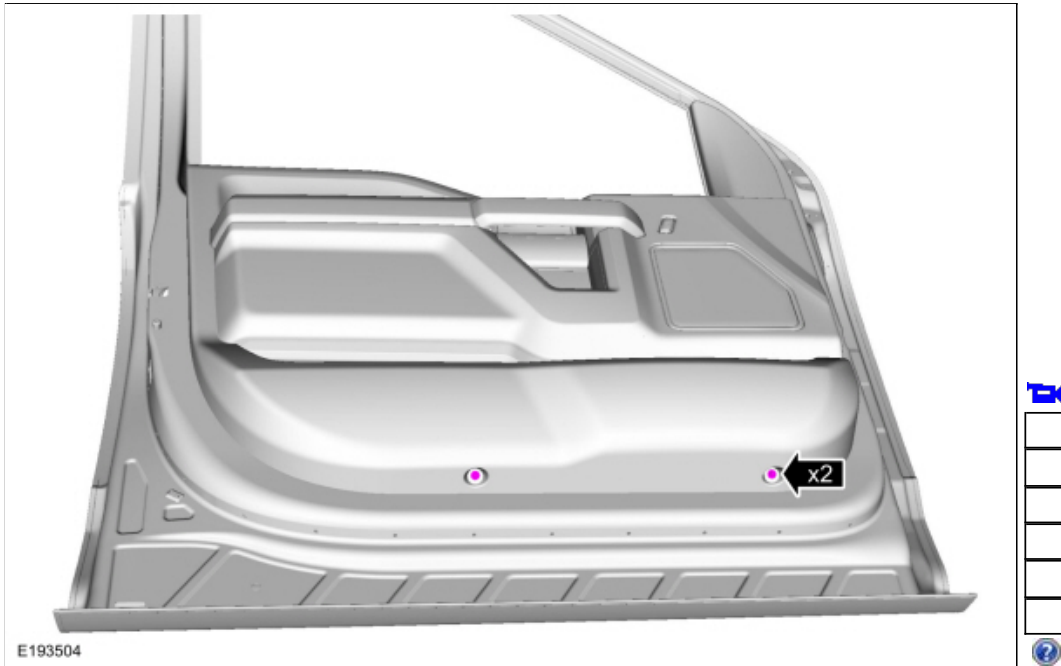
4. Remove the grab handle cover.
1. **NOTICE: Use care when releasing the clips or damage to the rear tab may occur.**
- Release the clips.
2. Slide the cover forward to disengage the rear tab.



5. Remove the door trim panel bolts.



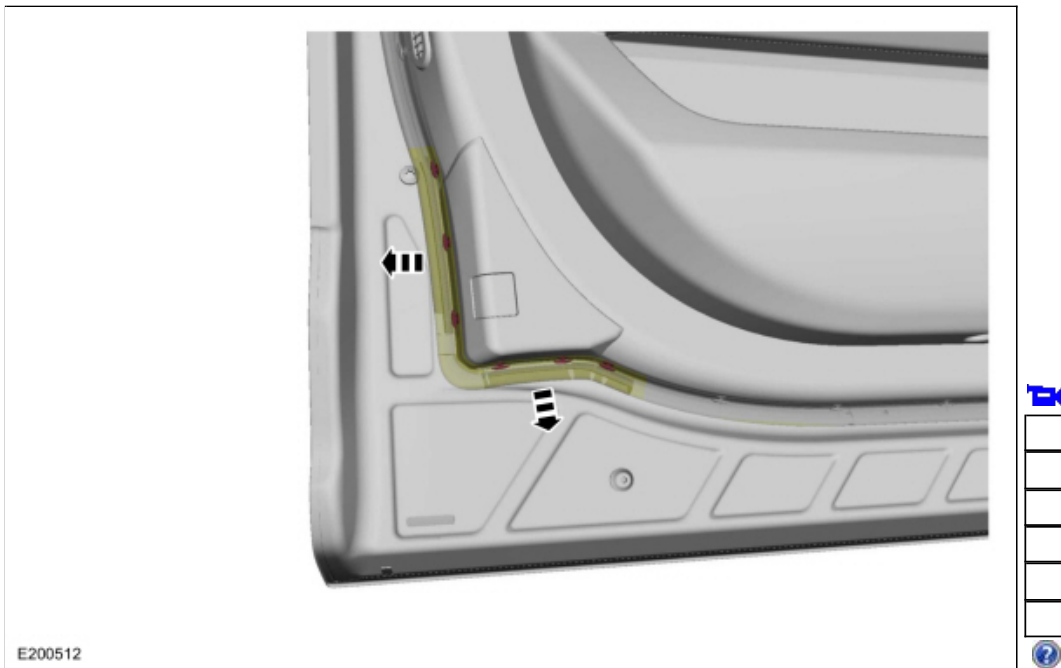
6. Remove the front door trim panel lower retainers.



**SuperCab**

**NOTE:** Removal of the filler trim panel is not required to remove the front door trim panel.

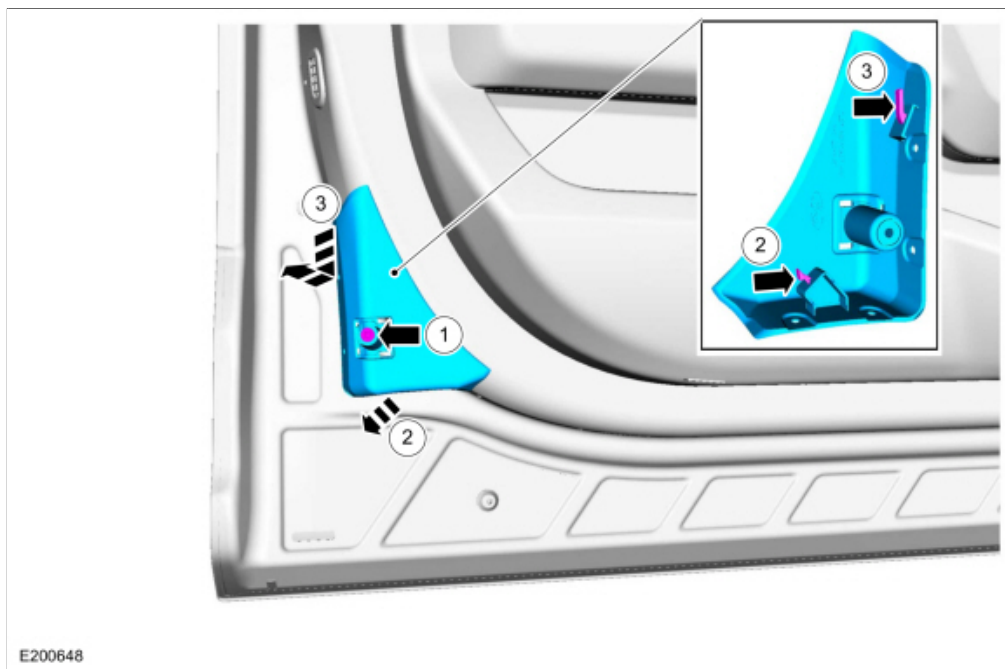
7. Release the clips and disengage the weatherstrip from around the front door filler trim panel.



8. Remove the front door filler trim panel reflector.

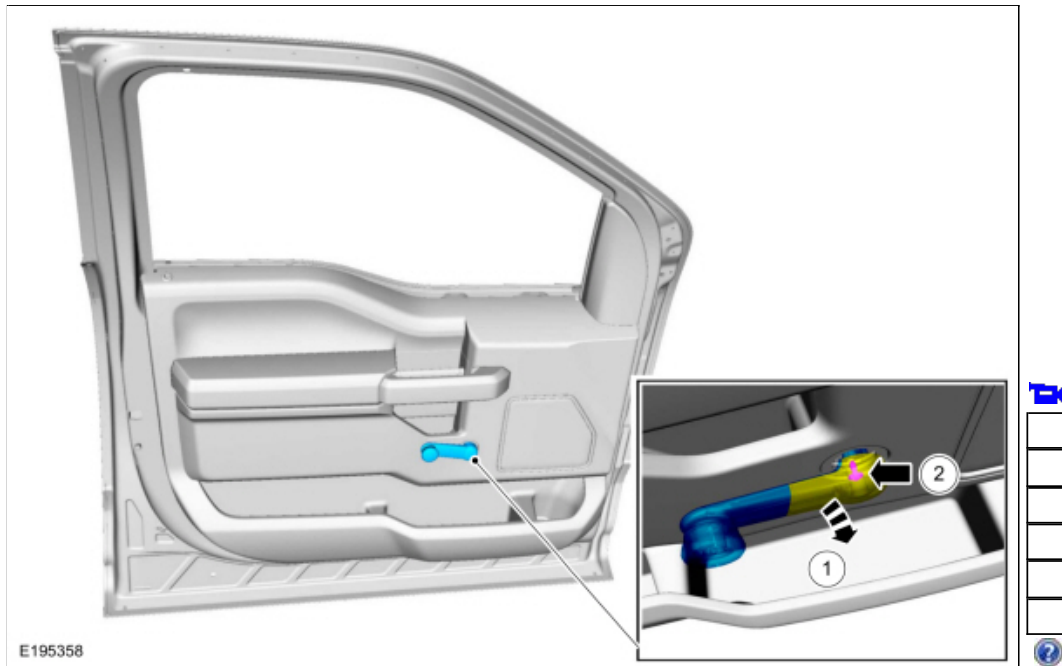


9. Remove the front door filler trim panel.
  1. Remove the front door filler trim panel retainer.
  2. Release the front door filler trim panel lower clip.
  3. Disengage the hook and remove the front door filler trim panel.



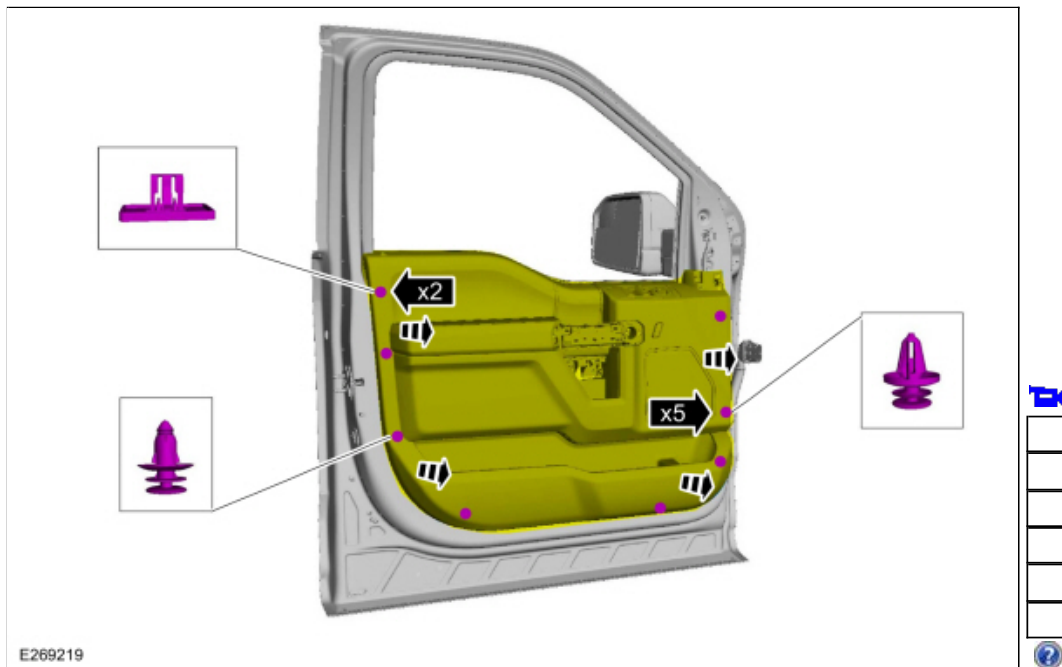
#### Vehicles with manual windows

10. Remove the window regulator handle.
  1. Position aside the cover.
  2. Remove the retainer and the window regulator handle.  
*Torque: 33 lb.in (3.7 Nm)*

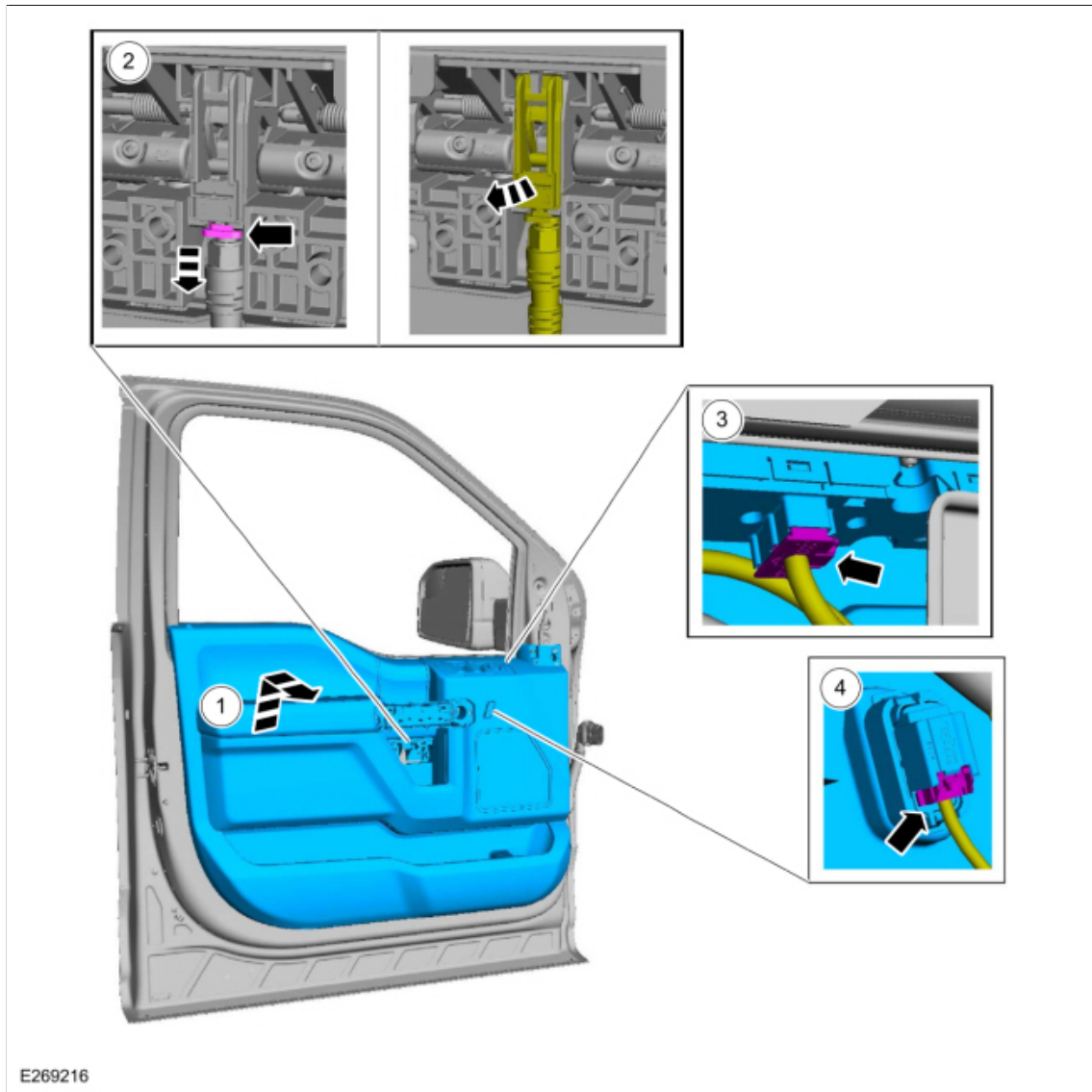


### All vehicles

11. Release the front door trim panel clips.



12. Remove the front door trim panel.
  1. Lift upward and outward on the front door trim panel.
  2. Release the tab and disconnect the interior front door handle cable.
  3. If equipped, disconnect the front door window control switch electrical connector.
  4. Disconnect the front door lock control switch.



### Installation

1. To install, reverse the removal procedure.

Copyright © 2018 Ford Motor Company

