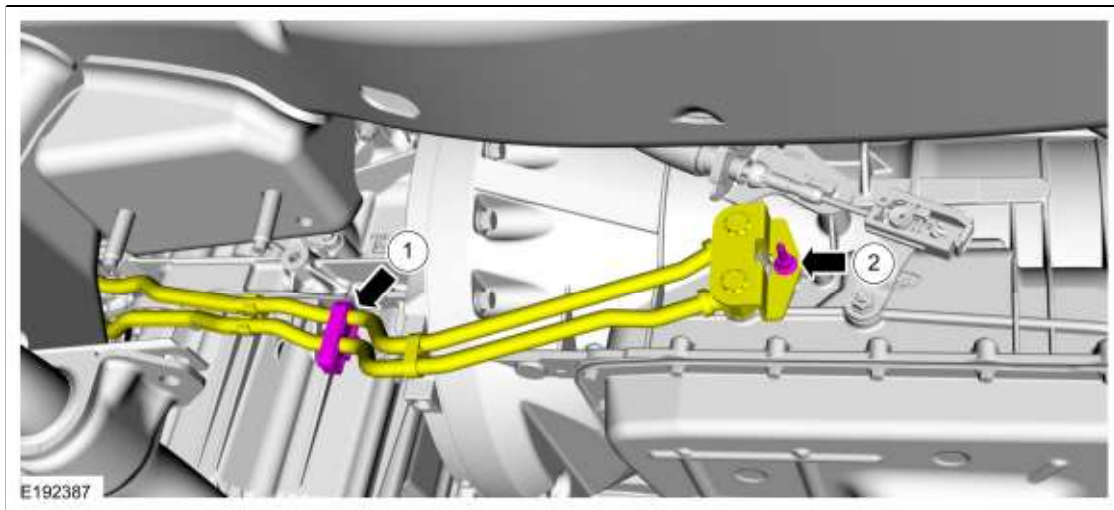
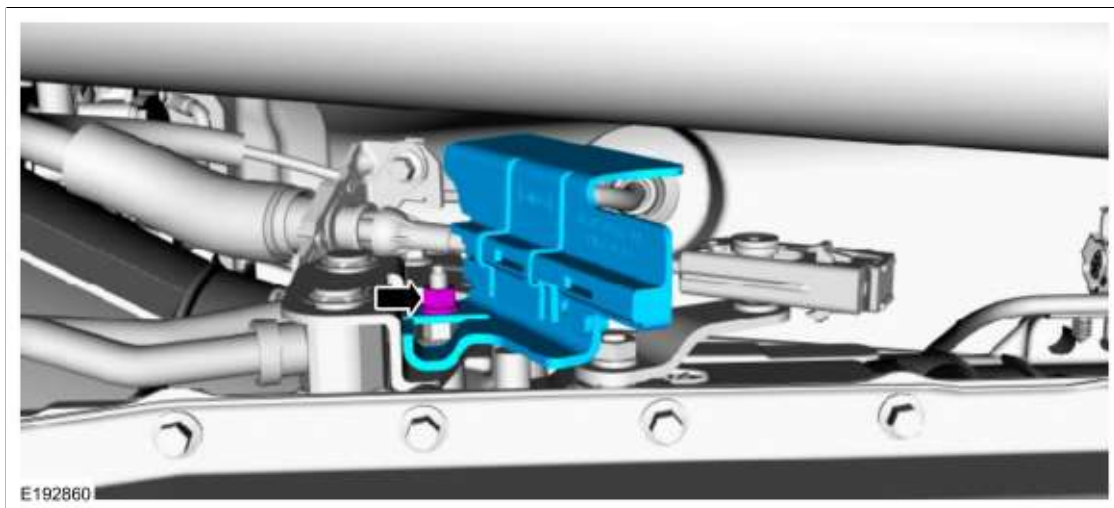


2. Install the new transmission fluid cooler tube bracket stud bolt.
Torque: 22 lb.ft (30 Nm)

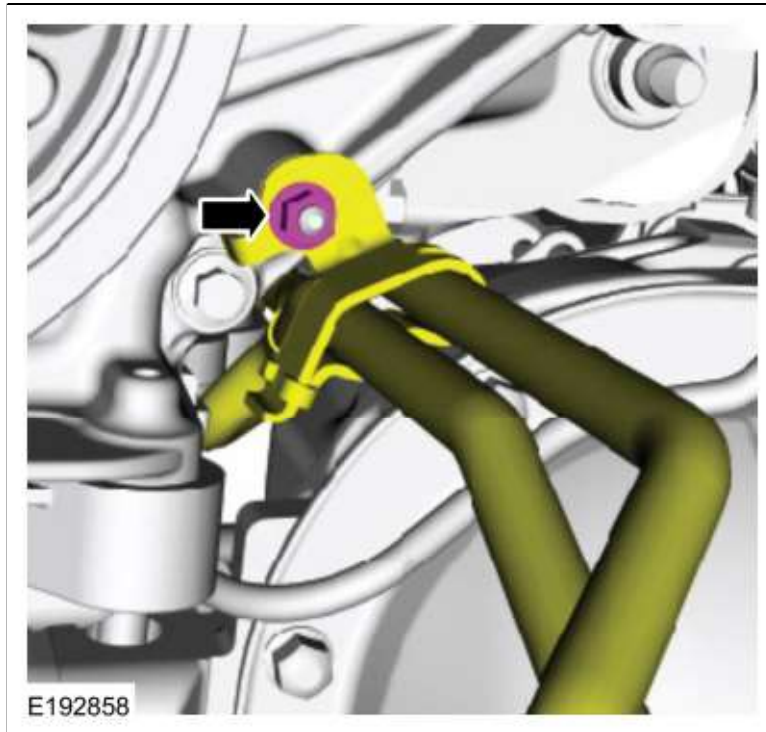


6. **NOTE:** 4WD shown, 2WD similar.

Install the heat shield and nut.
Torque: 106 lb.in (12 Nm)

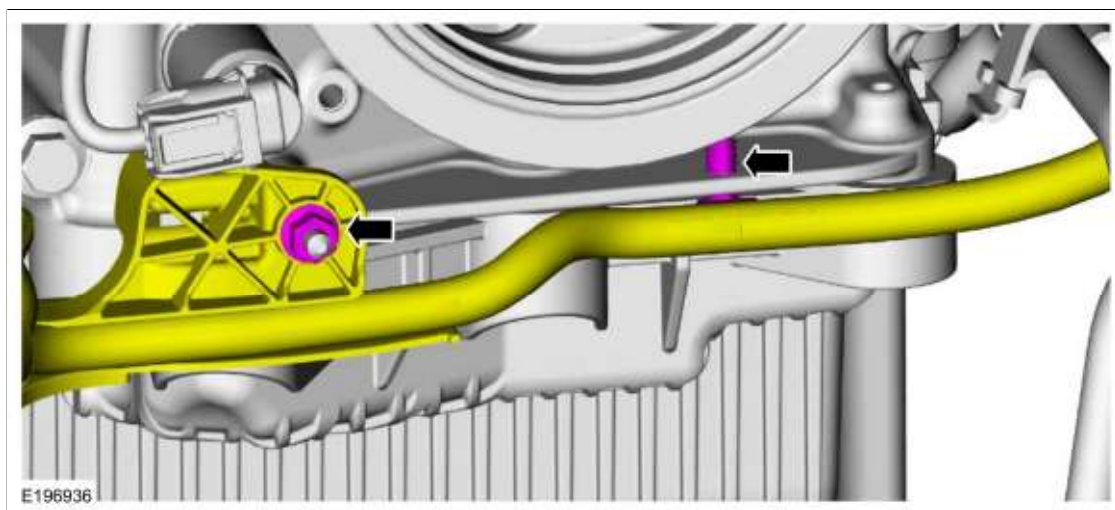


7. Install the transmission fluid cooler tube bracket nut.
Torque: 106 lb.in (12 Nm)



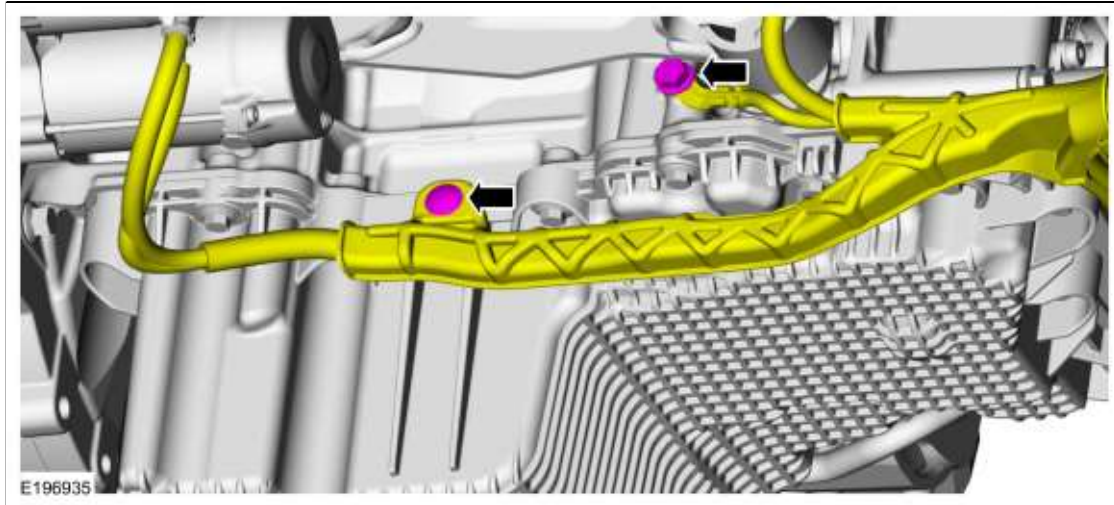
8.

1. Install the wiring harness retainer nut.
Torque: 106 lb.in (12 Nm)
2. Install the pin-type retainer.

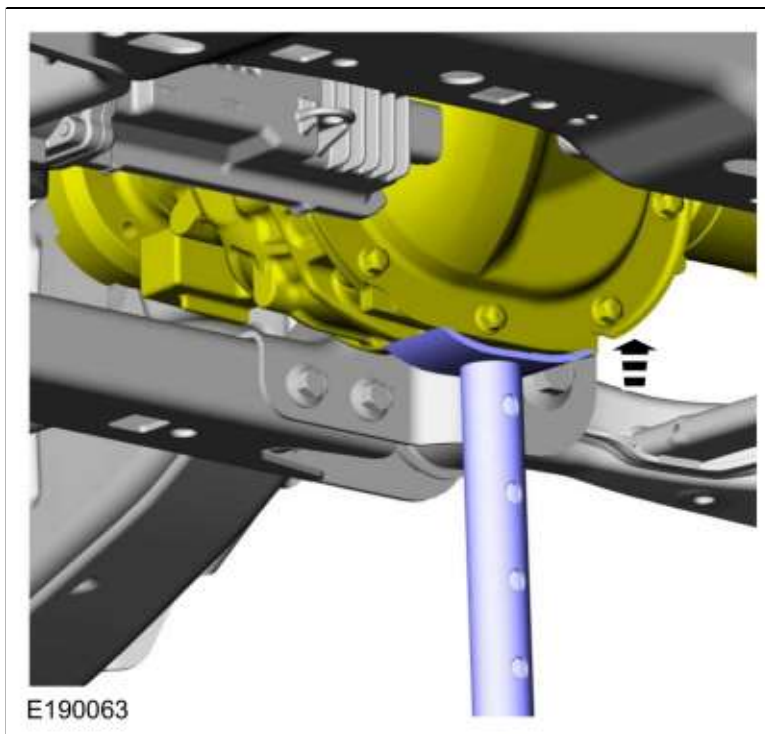


9.

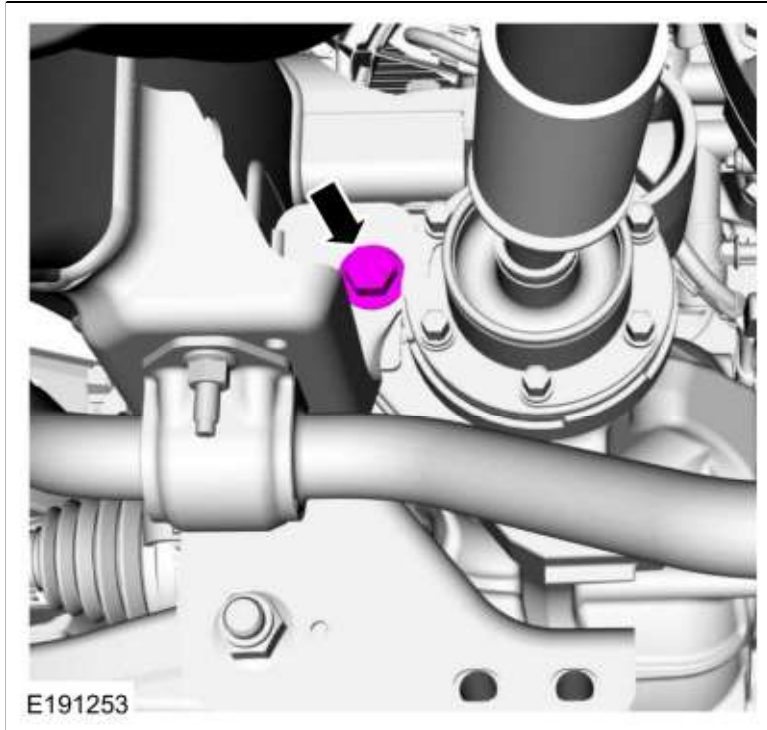
1. Install the pin-type retainer.
2. Install the ground wire and bolt.
Torque: 18 lb.ft (25 Nm)

**4x4**

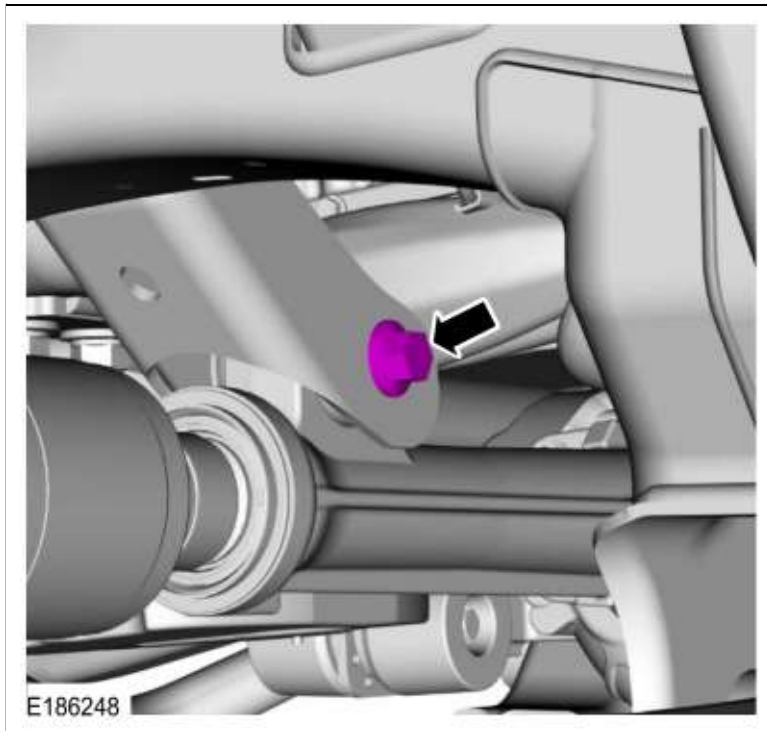
10. Using an adjustable stand, raise the front axle carrier into position.
Use the General Equipment: Vehicle/Axle Stands



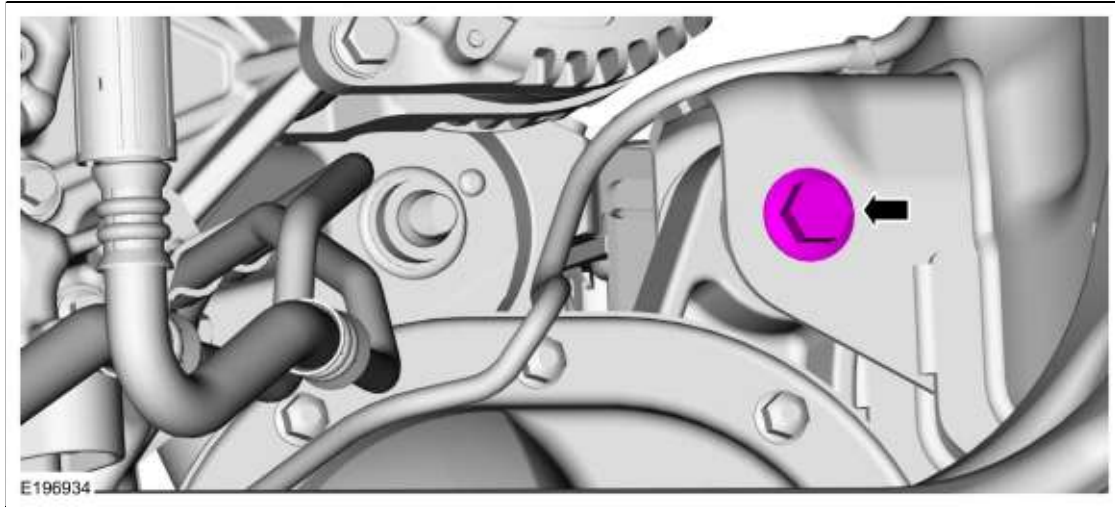
11. Install the lower front axle carrier mounting bushing bolt.
Torque: 85 lb.ft (115 Nm)



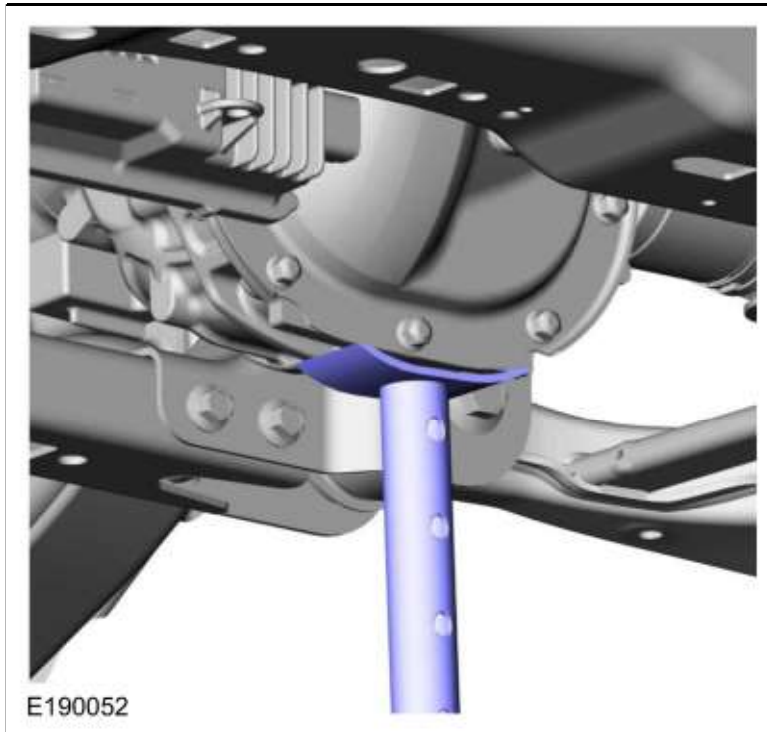
- 12. Install the axle shaft housing carrier bushing bolt.
Torque: 85 lb.ft (115 Nm)



- 13. Install the upper front axle carrier mounting bushing bolt.
Torque: 85 lb.ft (115 Nm)



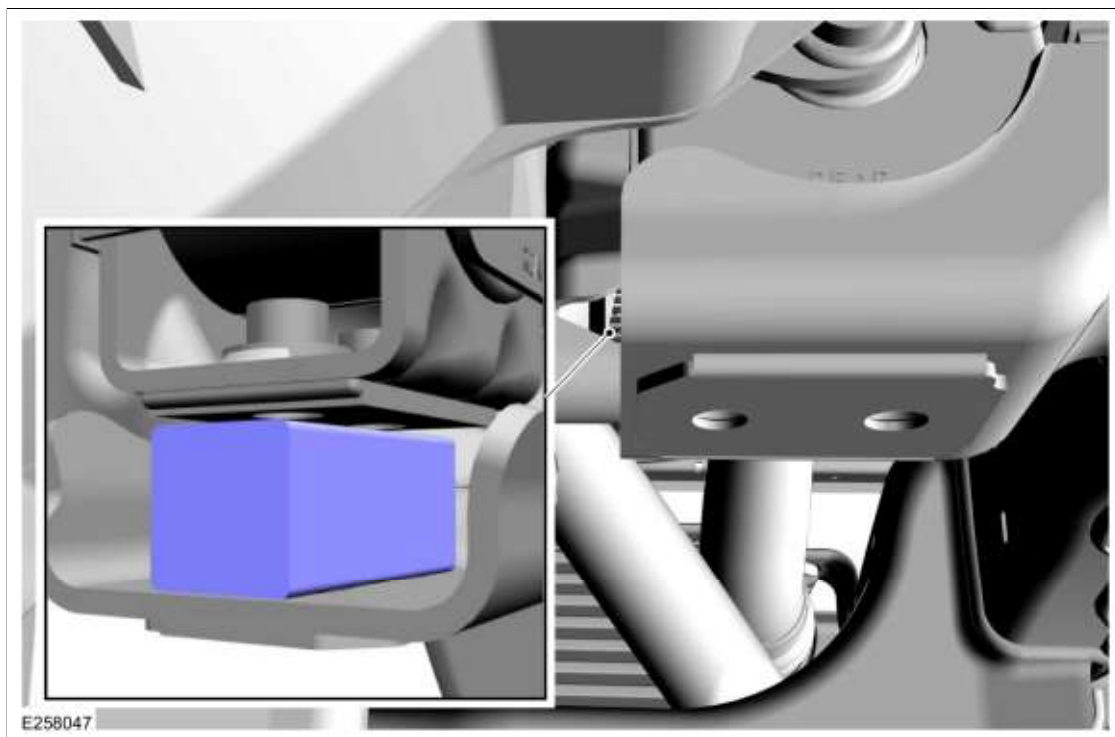
14. Remove the adjustable stand.
Use the General Equipment: Vehicle/Axle Stands



15. Using an adjustable stand, raise the engine 50 mm (2 in).
Use the General Equipment: Vehicle/Axle Stands



16. Remove the wood block.



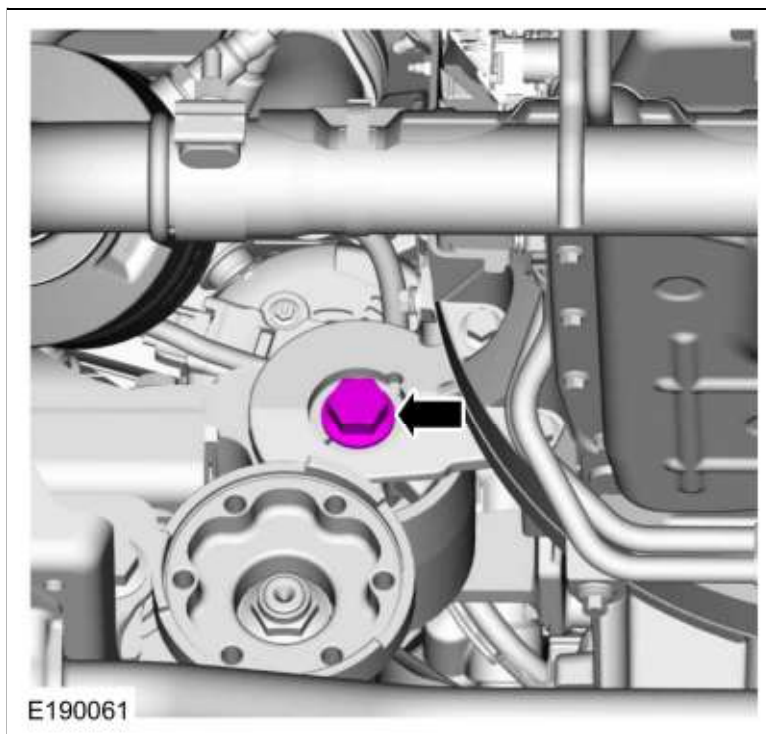
- 17.
1. Using the adjustable stand, lower the engine to the installed position.
Use the General Equipment: Vehicle/Axle Stands
 2. Remove the stand.



18. **NOTE:** *Front drive shaft removed from graphic for clarity.*

Install the new LH engine mount through bolt.

- Do not tighten at this time.



19. **NOTICE:** Only use hand tools when installing the engine mount studs or damage to the engine

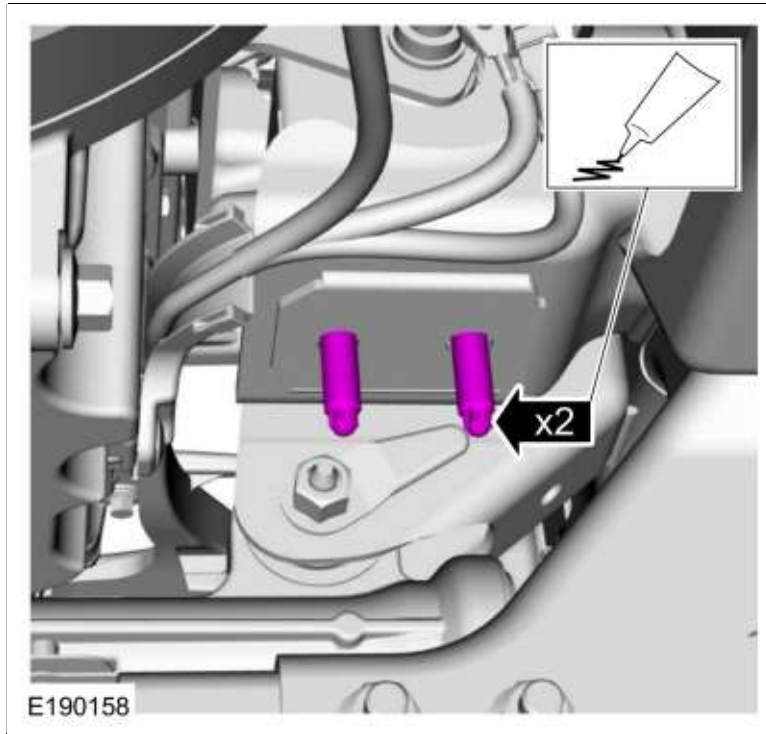
mount can occur.

NOTE: Apply threadlock to the stud threads prior to installation.

Install the engine mount studs.

Material: Motorcraft® Threadlock 262 / TA-26 (WSK-M2G351-A6)

Torque: 22 lb.ft (30 Nm)

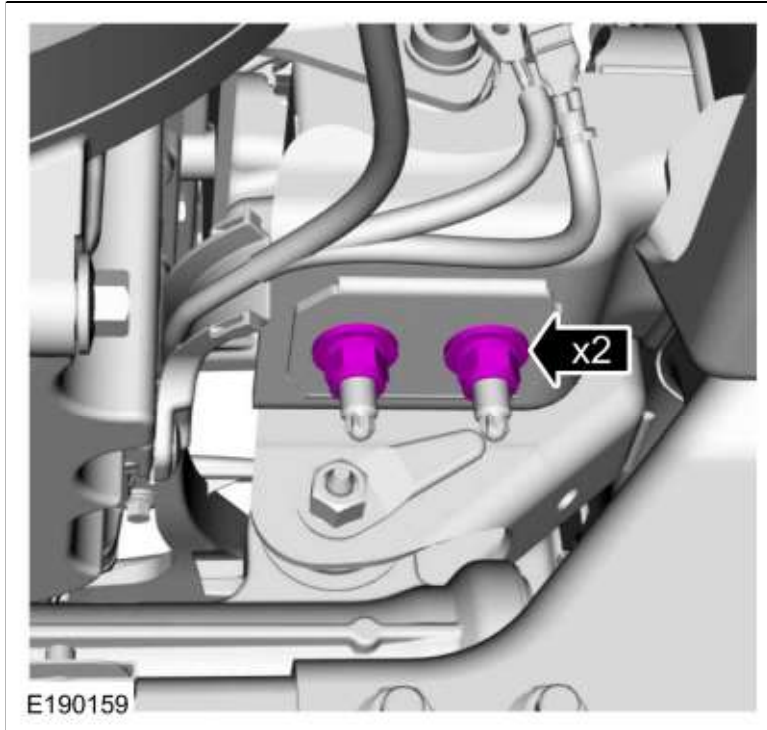


20. **NOTICE:** Only use hand tools when installing the engine mount nuts or damage to the engine mount can occur.

Install the new engine mount nuts.

Torque: 111 lb.ft (150 Nm)

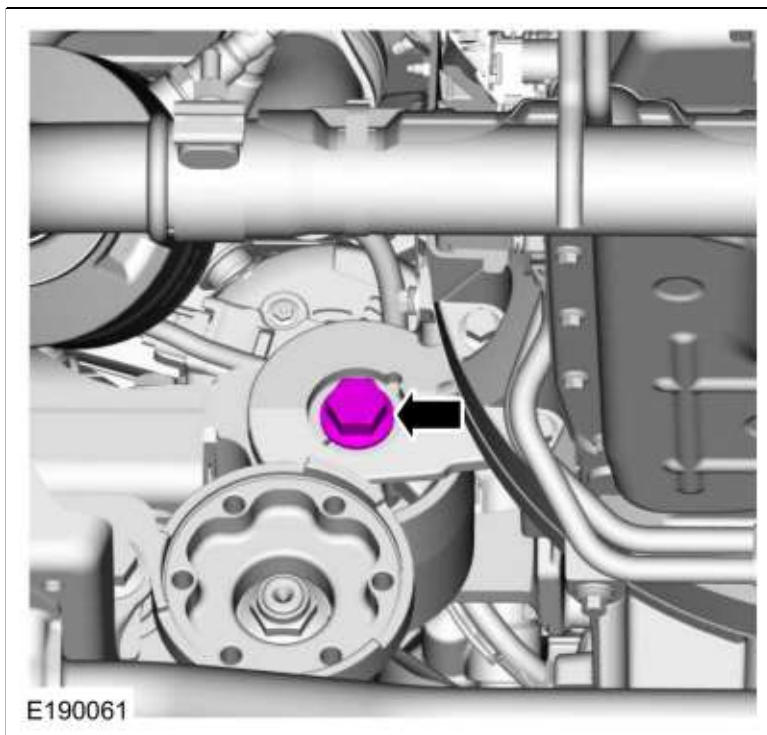




- 21. **NOTICE:** Only use hand tools when tightening the engine mount through bolts or damage to the engine mount-to-cylinder block bracket can occur.

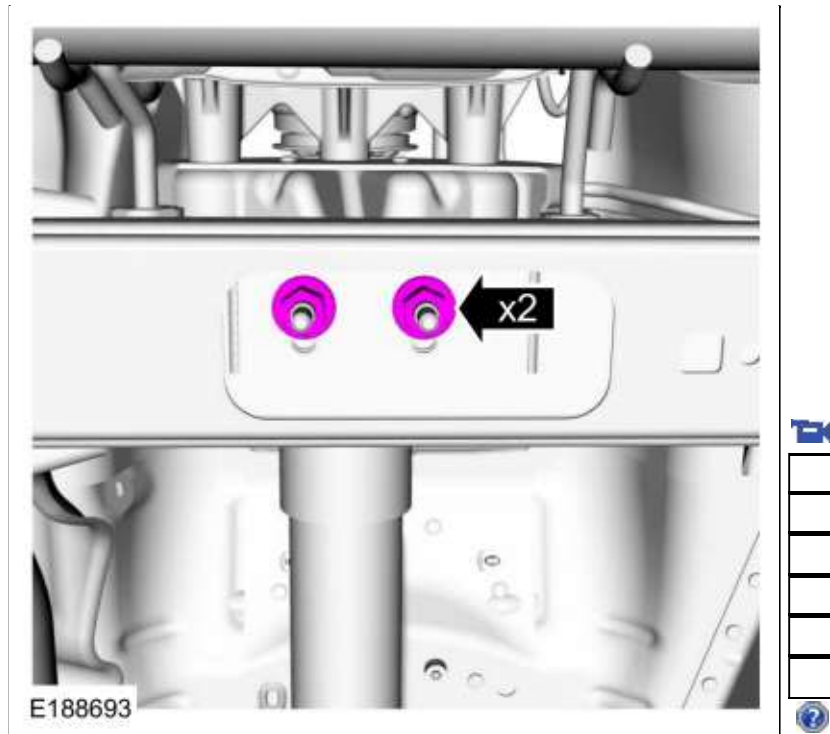
NOTE: Front drive shaft removed from graphic for clarity.

Tighten the LH engine mount through bolt.
Torque: 258 lb.ft (350 Nm)



22. **NOTICE:** Only use hand tools when installing the transmission mount-to-crossmember nuts or damage to the transmission mount can occur.

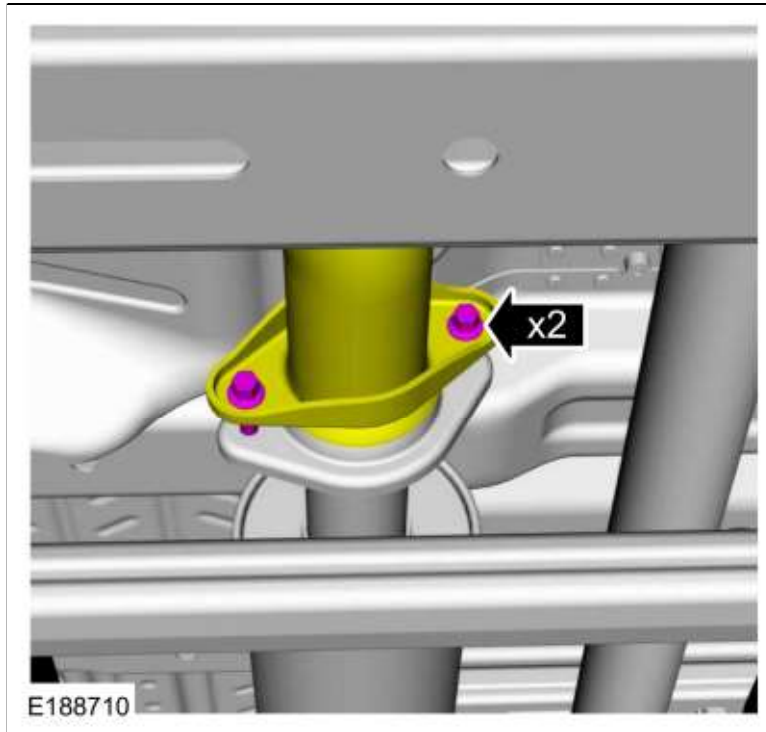
Tighten the transmission mount-to-crossmember nuts.
Torque: 85 lb.ft (115 Nm)



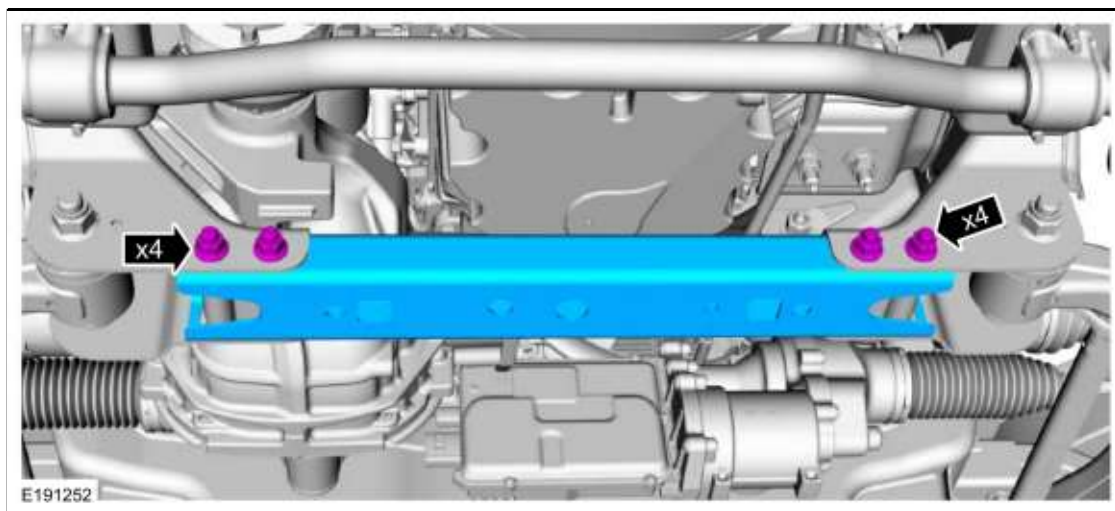
- 23.

- Position the exhaust Y-pipe dual catalytic converter-to-exhaust intermediate pipe and install the bolts.
- Tighten the inner exhaust Y-pipe dual catalytic converter-to-exhaust intermediate pipe bolt.
Torque: 46 lb.ft (63 Nm)
- Tighten the outer exhaust Y-pipe dual catalytic converter-to-exhaust intermediate pipe bolt.
Torque: 46 lb.ft (63 Nm)

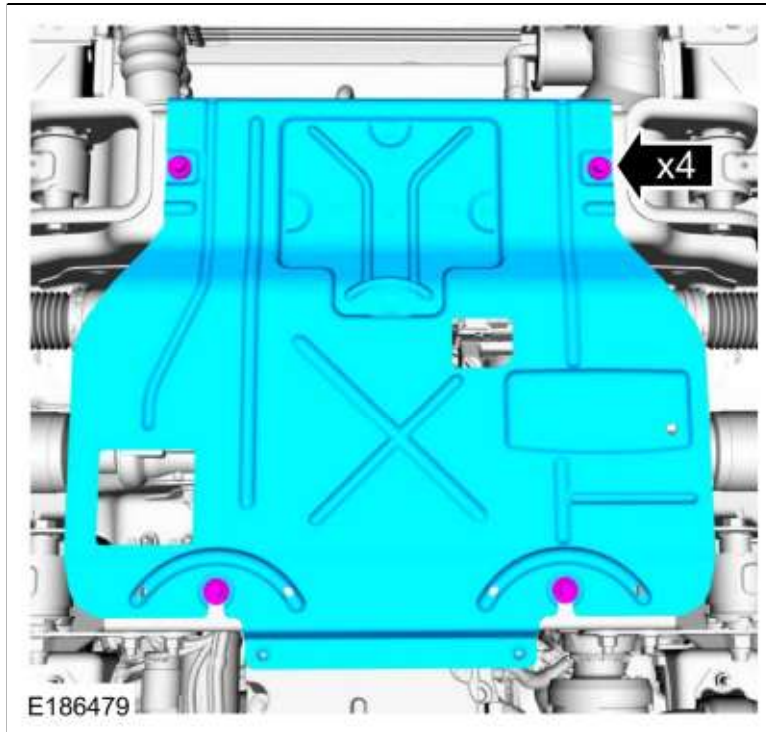


**4x2/4x4**

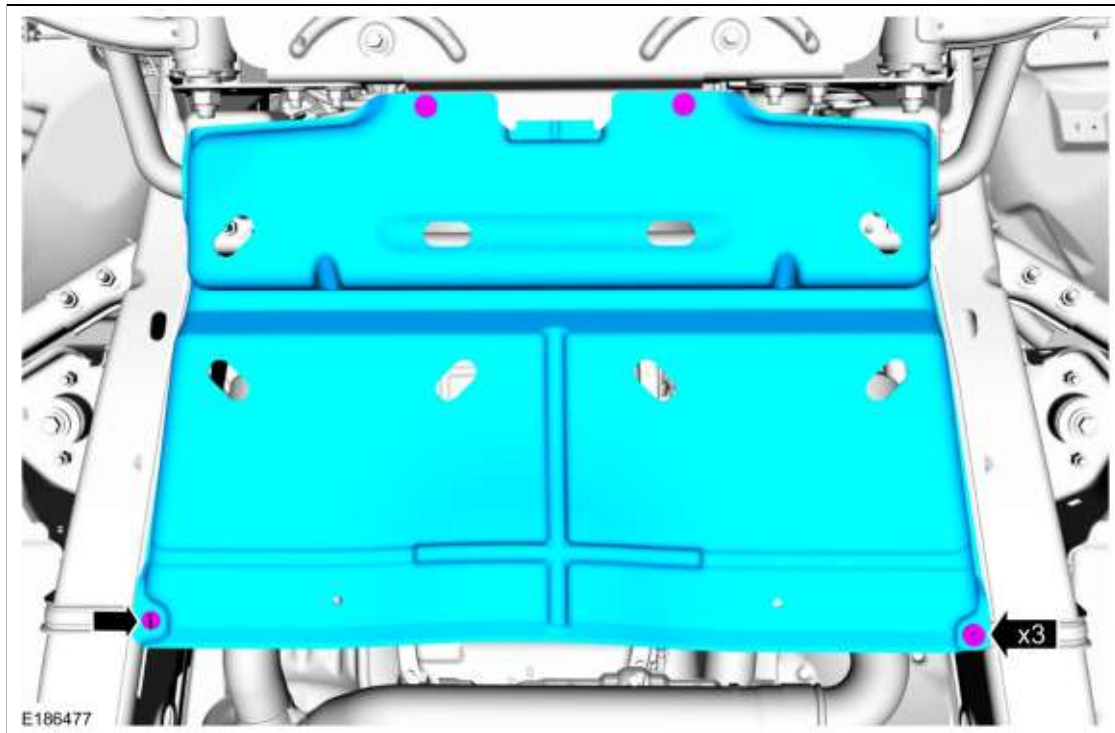
24. Install the crossmember, bolts and the nuts.
Torque: 66 lb.ft (90 Nm)



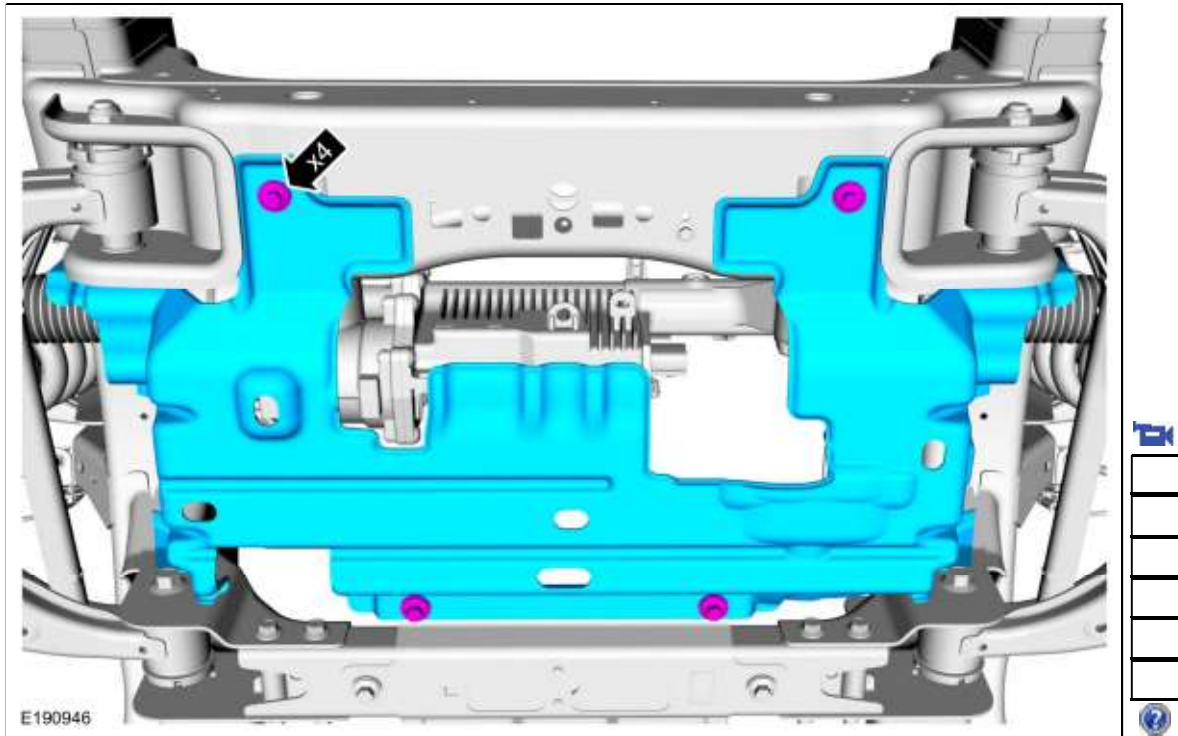
25. If equipped, install the skid plate and bolts.
Torque: 30 lb.ft (40 Nm)



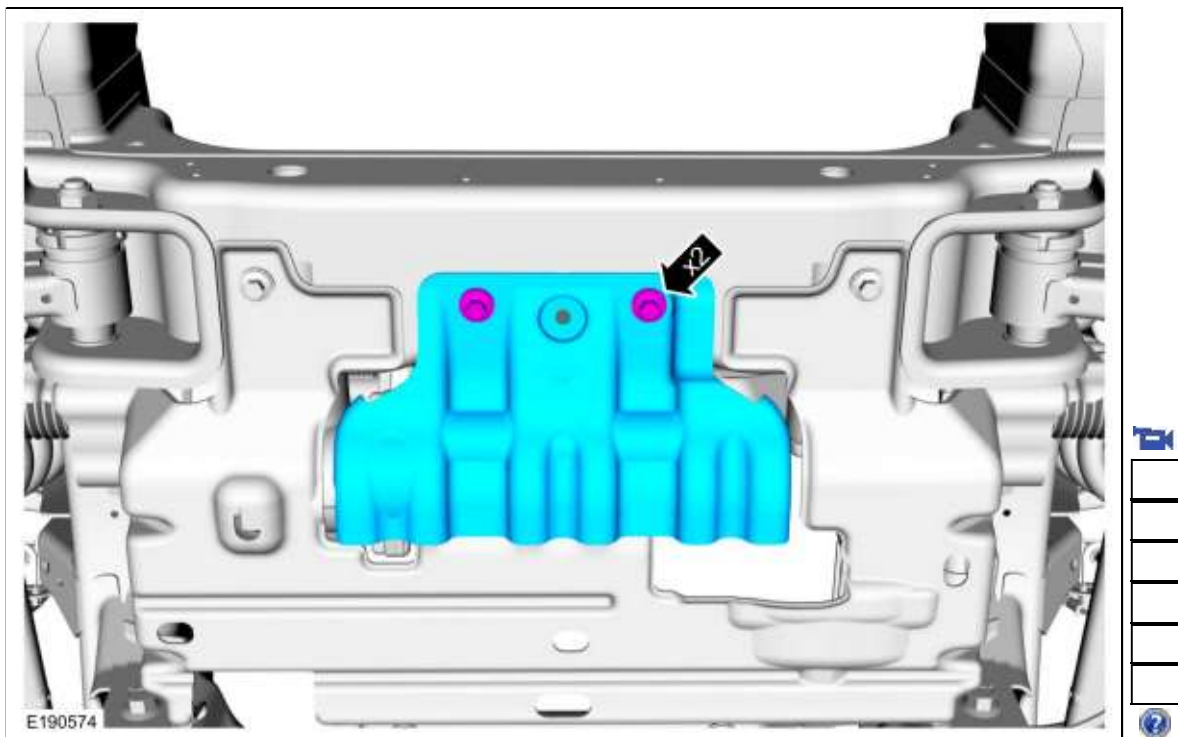
26. If equipped, install the underbody shield and fasteners.
Torque: 71 lb.in (8 Nm)



27. If equipped, install the underbody shield and fasteners.
Torque: 30 lb.ft (40 Nm)

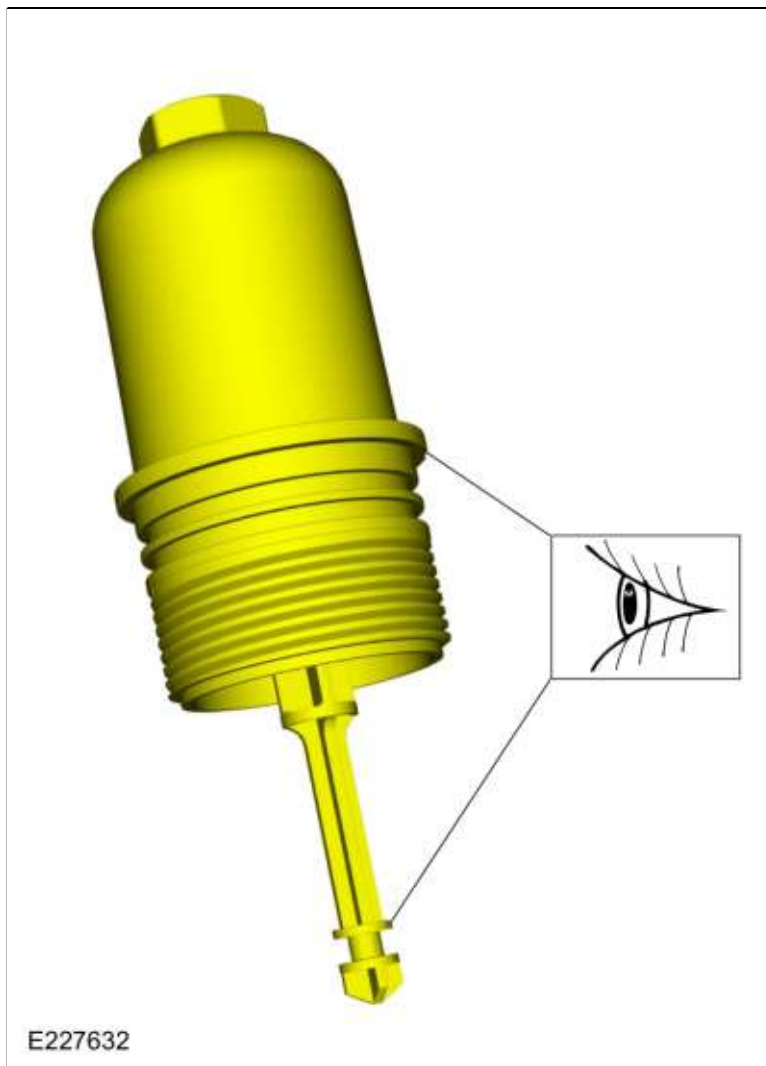


28. If equipped, install the skid plate and bolts.
Torque: 30 lb.ft (40 Nm)



29. **NOTE:** *If the filter housing stem is damaged or missing the oil will flow through the reservoir drain port and a **loss** of engine oil pressure will occur.*

Inspect the oil filter housing and stem for damage including cracks or separation of the stem from the housing. If damaged, a new oil filter housing assembly must be installed.



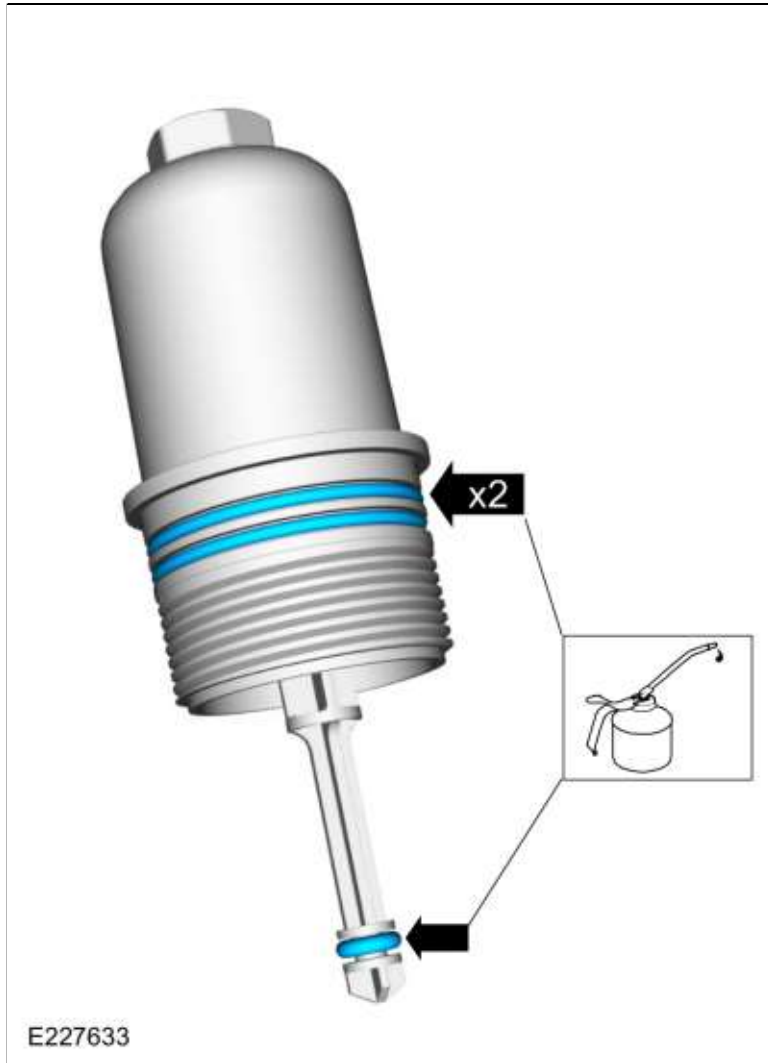
30.

- **NOTE:** Failure to install new oil filter housing-to-engine front cover seals may result in oil leakage.

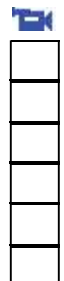
Install new oil filter housing-to-engine front cover seals and lubricate with clean engine oil.
 Material: Motorcraft® SAE 5W-30 Synthetic Blend Motor Oil / XO-5W30-QSP (WSS-M2C946-A)

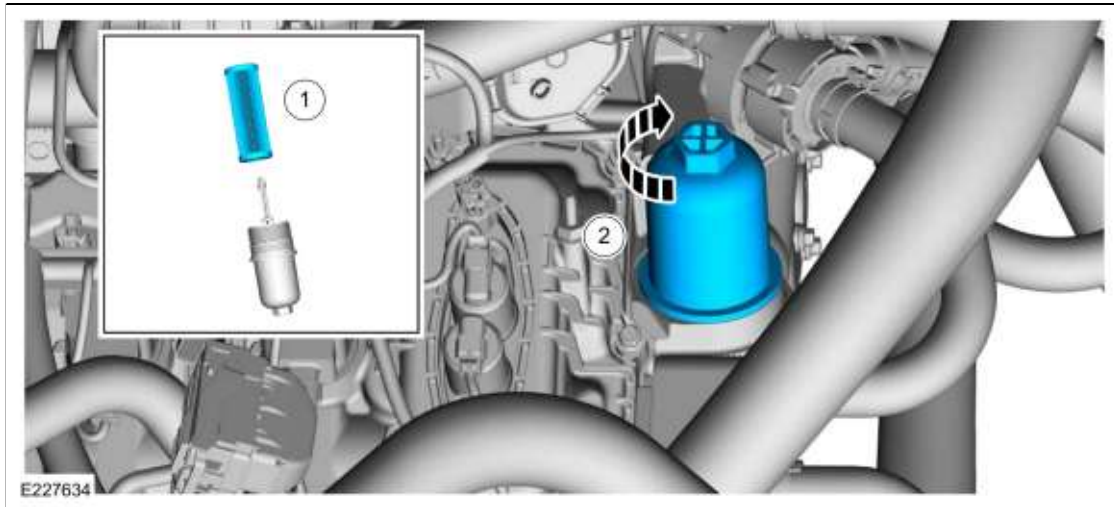
- **NOTE:** Failure to install a new oil filter housing stem-to-oil reservoir drain port seal will result with the oil flowing through the reservoir drain port and a **loss** of engine oil pressure.

Install a new oil filter housing stem-to-oil reservoir drain port seal and lubricate with clean engine oil.
 Material: Motorcraft® SAE 5W-30 Synthetic Blend Motor Oil / XO-5W30-QSP (WSS-M2C946-A)

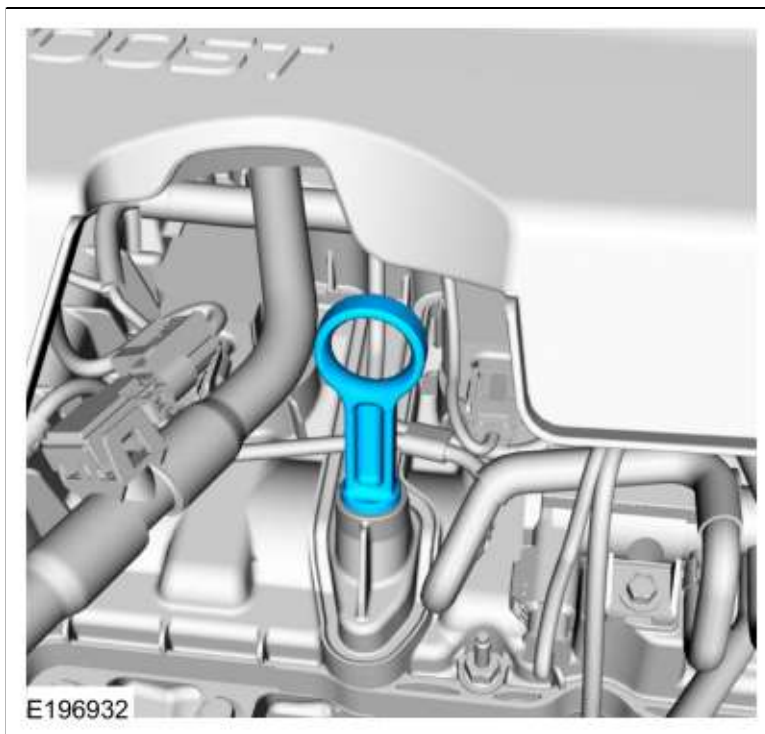


- 31.
1. Install a new oil filter element.
 2. Install the oil filter housing.
Torque: 18 lb.ft (24 Nm)

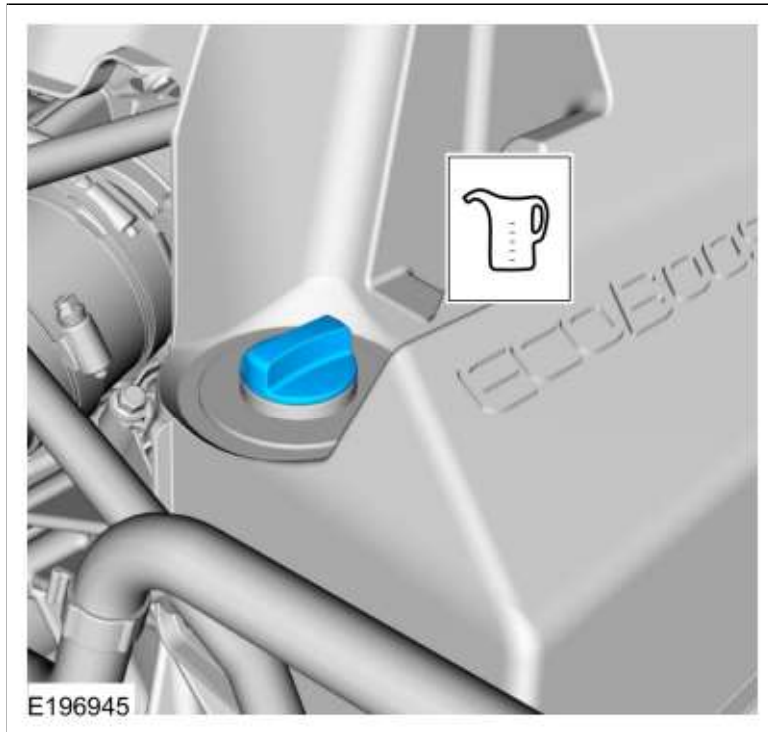




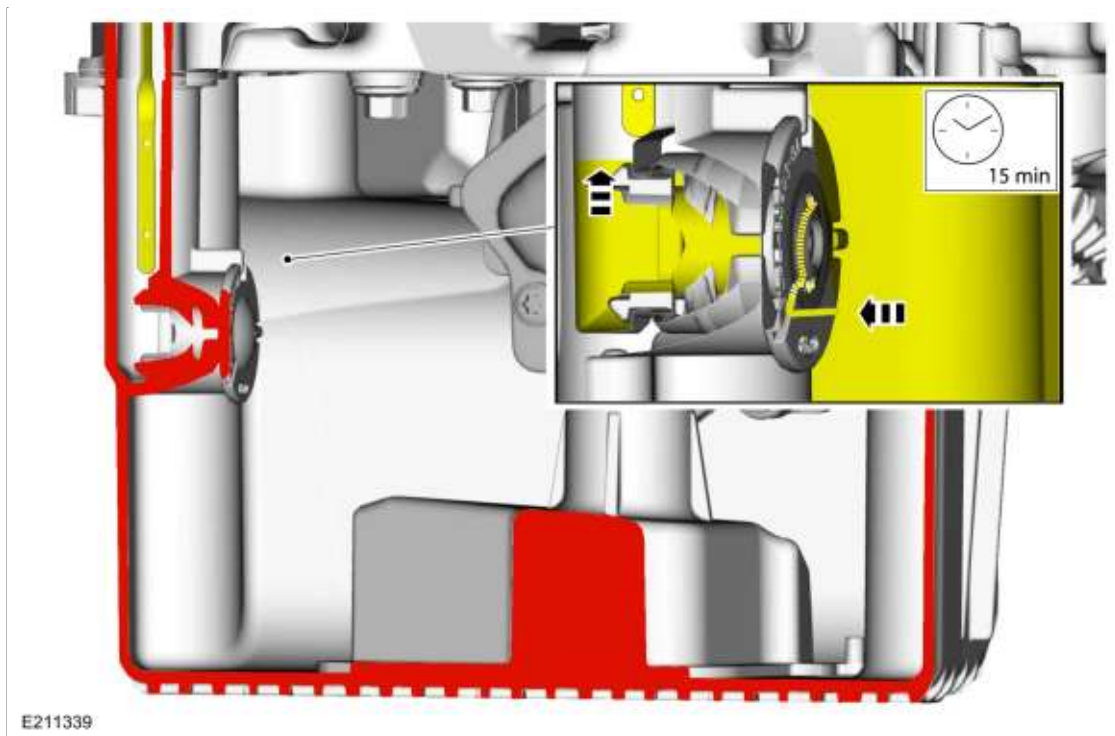
32. Install the oil level indicator.



33. Fill the engine with clean engine oil.
 Refer to: [Specifications](#) (303-01A Engine - 2.7L EcoBoost (238kW/324PS), Specifications).
 Material: Motorcraft® SAE 5W-30 Synthetic Blend Motor Oil / XO-5W30-QSP (WSS-M2C946-A)



34. After filling the engine with oil, the oil must flow from the main chamber of the oil pan, through a check valve into the smaller side chamber to correctly register the oil level on the oil level indicator. This may take up to 15 minutes.



35. Connect the battery ground cable.
Refer to: Battery Disconnect and Connect (414-01 Battery, Mounting and Cables) .

36. Check transmission fluid level.
Refer to: [Transmission Fluid Level Check](#) (307-01A Automatic Transmission - 6-Speed Automatic Transmission - 6R80, General Procedures).

4x4

37. Check the exhaust system for leaks.

Copyright © 2018 Ford Motor Company
