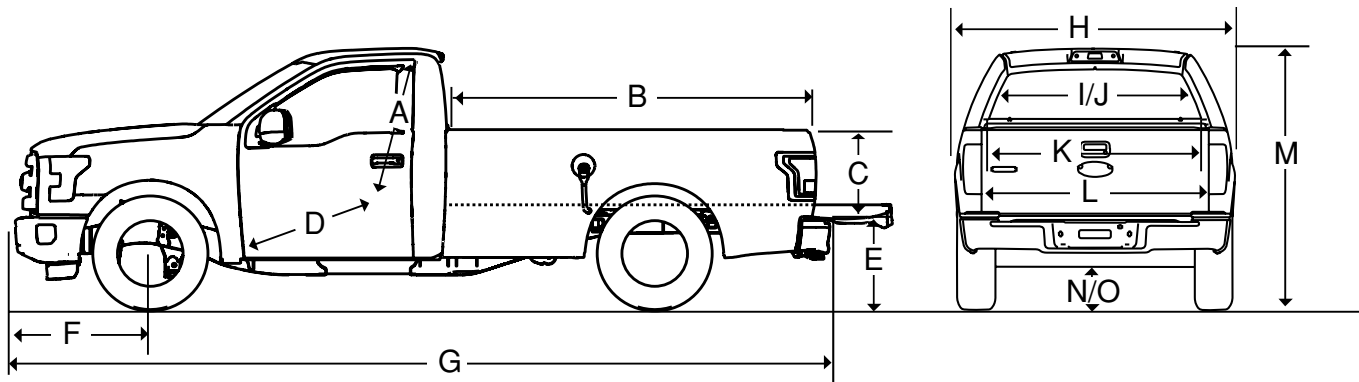


2015 F-150

Dimensions



Body Dimensions REGULAR CAB⁽¹⁾

Drive	4x2		4x4	
Cargo Box (ft.)	6.5	8.0	6.5	8.0
Wheelbase (in.)	122.4	141.1	122.4	141.1
Code	Description (in.)			
A	Head Room	40.8	40.8	40.8
B	Inside Length ⁽²⁾ (at floor)	78.9	97.6	78.9
C	Inside Height ⁽²⁾	21.4	21.4	21.4
D	Leg Room (maximum)	43.9	43.9	43.9
E	Open Tailgate to Ground (Empty) ⁽³⁾	34.2	34.3	36.3
F	Front Overhang	37.8	37.8	37.8
G	Overall Length	209.3	227.9	209.3
H	Width (Max.) (excluding mirrors)	79.9	79.9	79.9
I	Shoulder Room	66.7	66.7	66.7
J	Hip Room	62.5	62.5	62.5
K	Width Between Wheelhouses ⁽²⁾	50.6	50.6	50.6
L	Max. Load Width ⁽²⁾ (at floor)	65.2	65.2	65.2
M	Cab Height (Empty) ⁽³⁾	75.2	74.8	76.7
N	Ground Clearance (front)	8.9	8.5	9.9
O	Ground Clearance (rear)	8.8	8.8	9.4

(1) Late availability with 8-ft. box.

(2) Pickup box. Also refer to Pickup Box Dimensions.

(3) The height data shown represents dimensions of a nominal vehicle with no options. Actual height may vary due to production tolerances.

Interior Volume

Cab Position	Volume (cu. ft.)
Front Passenger	64.6
Cargo Volume Behind First Row	12.9

Fuel Tank Capacity

Wheelbase (in.)	Location	Capacity (gallons)	
		Standard	Available
122.4 (4x2/4x4)	Midship	23.0	—
141.1 (4x2/4x4)	Midship	23.0	36.0

NOTE: Specifications and descriptions contained within are based upon the most current information available at the time of release. Content subject to change.

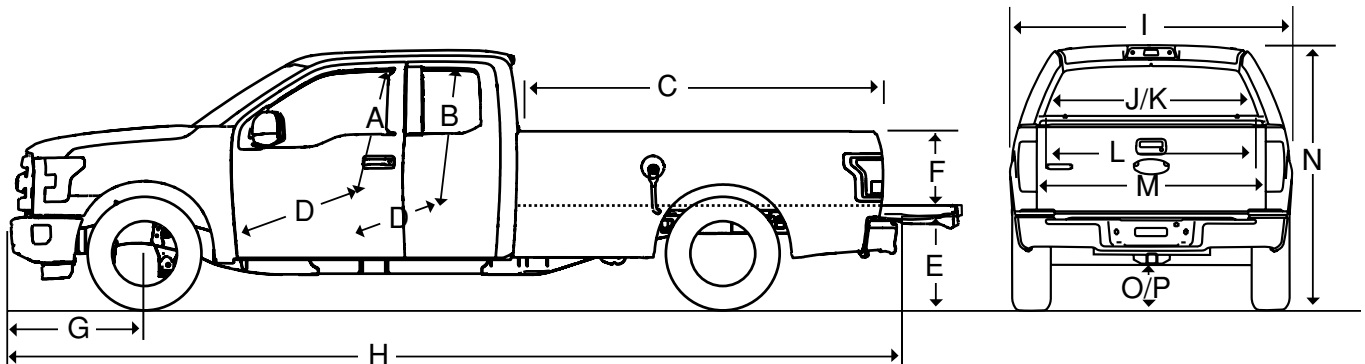
NOTE: Please see the Major Product Summary pages and/or the Dealer Ordering Guide for availability.

F-150

Dimensions cont'd

2015

F-150



Body Dimensions cont'd SUPERCAB⁽¹⁾

Drive	4x2		4x4	
Cargo Box (ft.)	6.5	8.0	6.5	8.0
Wheelbase (in.)	145.0	163.7	145.0	163.7
Code	Description (in.)			
A	40.8	40.8	40.8	40.8
B	40.3	40.3	40.3	40.3
C	78.9	97.6	78.9	97.6
D	43.9	43.9	43.9	43.9
	33.5	33.5	33.5	33.5
E	33.3	33.8	35.1	34.9
F	21.4	21.4	21.4	21.4
G	37.8	37.8	37.8	37.8
H	231.9	250.5	231.9	250.5
I	79.9	79.9	79.9	79.9
J	66.7	66.7	66.7	66.7
	65.8	65.8	65.8	65.8
K	62.5	62.5	62.5	62.5
	64.7	64.7	64.7	64.7
L	50.6	50.6	50.6	50.6
M	65.2	65.2	65.2	65.2
N	75.2	75.2	76.9	76.6
O	8.7	8.6	10.3	10.3
P	8.8	8.7	9.3	9.3

(1) Late availability with 8-ft. box.

(2) Pickup box. Also refer to Pickup Box Dimensions.

(3) The height data shown represents dimensions of a nominal vehicle with no options. Actual height may vary due to production tolerances.

Interior Volume

Cab Position	Volume (cu. ft.)	
	6.5-ft. box	8.0-ft. box
Front Passenger	64.6	64.6
Rear Passenger	51.4	51.4
Total Passenger	116.0	116.0
Cargo Volume Behind First Row Rear-seat Cushion Folded Up	32.5	32.5

Fuel Tank Capacity

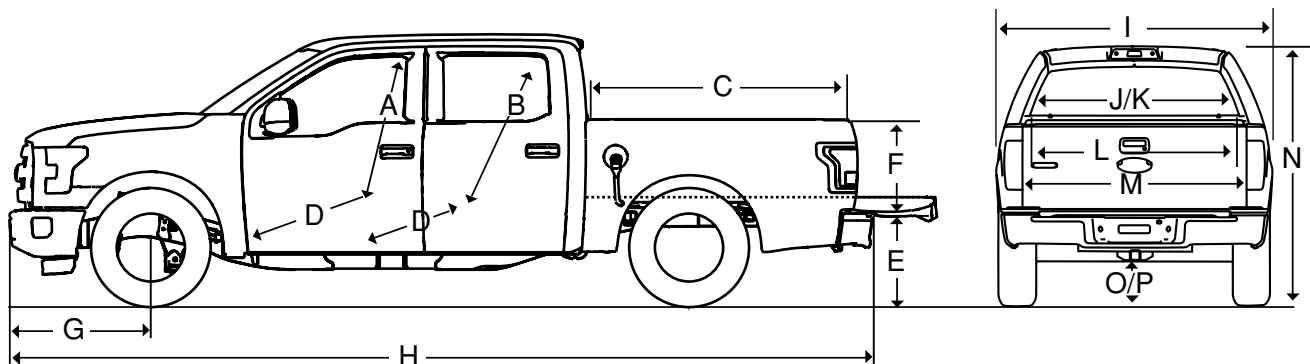
Wheelbase (in.)	Location	Capacity (gallons)	
		Standard	Available
145.0 (4x2/4x4)	Midship	23.0	36.0
163.7 (4x2/4x4)	Midship	23.0	36.0

NOTE: Specifications and descriptions contained within are based upon the most current information available at the time of release. Content subject to change.

NOTE: Please see the Major Product Summary pages and/or the Dealer Ordering Guide for availability.

2015 F-150

Dimensions cont'd



Body Dimensions cont'd SUPERCREW

Drive	4x2		4x4	
Cargo Box (ft.)	5.5	6.5	5.5	6.5
Wheelbase (in.)	145.0	156.8	145.0	156.8
Code	Description (in.)			
A	40.8	40.8	40.8	40.8
B	40.4	40.4	40.4	40.4
C	67.1	78.9	67.1	78.9
D	43.9	43.9	43.9	43.9
	43.6	43.6	43.6	43.6
E	33.1	33.8	34.9	35.2
F	21.4	21.4	21.4	21.4
G	37.8	37.8	37.8	37.8
H	231.9	243.7	231.9	243.7
I	79.9	79.9	79.9	79.9
J	66.7	66.7	66.7	66.7
	65.9	65.9	65.9	65.9
K	62.5	62.5	62.5	62.5
	64.7	64.7	64.7	64.7
L	50.6	50.6	50.6	50.6
M	65.2	65.2	65.2	65.2
N	75.3	75.3	76.9	76.9
O	8.8	8.4	10.2	10.2
P	8.7	8.7	9.3	9.3

(1) Pickup box. Also refer to Pickup Box Dimensions.

(2) The height data shown represents dimensions of a nominal vehicle with no options. Actual height may vary due to production tolerances.

Interior Volume

Cab Position	Volume (cu. ft.)	
	5.5-ft. box	6.5-ft. box
Front Passenger	64.6	64.6
Rear Passenger	67.1	67.1
Total Passenger	131.8	131.8
Cargo Volume Behind First Row Rear-seat Cushion Folded Up	51.9	51.9

Fuel Tank Capacity

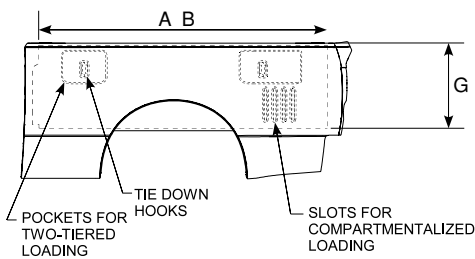
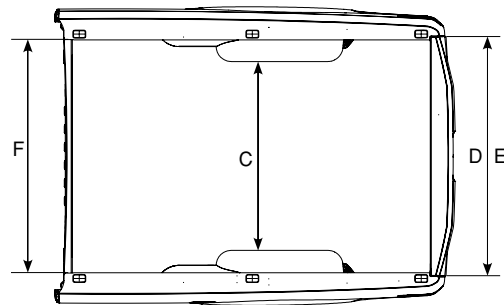
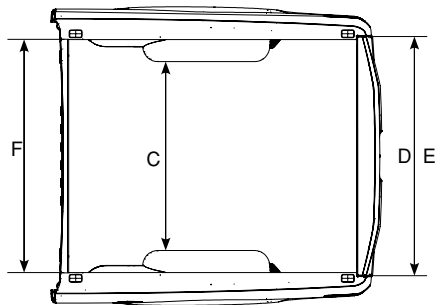
Wheelbase (in.)	Location	Capacity (gallons)	
		Standard	Available
145.0 (4x2/4x4)	Midship	23.0	36.0
156.8 (4x2/4x4)	Midship	23.0	36.0

NOTE: Specifications and descriptions contained within are based upon the most current information available at the time of release. Content subject to change.

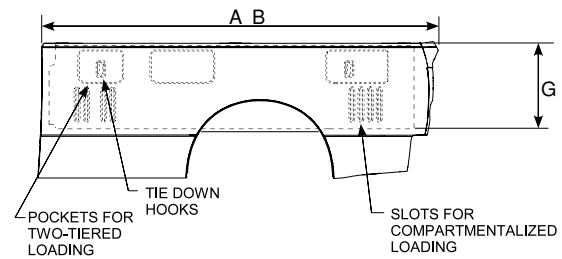
NOTE: Please see the Major Product Summary pages and/or the Dealer Ordering Guide for availability.

F-150 | 2015

Dimensions cont'd



5.5 & 6.5 FT. BOX



8 FT. BOX

Pickup Box Dimensions STYLESIDE PICKUP⁽¹⁾

Box Size (ft.)	5.5 ⁽²⁾	6.5 ⁽³⁾	8.0 ⁽⁴⁾
Code			
Description (in.)			
A	67.1	78.9	97.6
B	65.4	77.2	95.9
C	50.6	50.6	50.6
D	60.3	60.3	60.3
E	60.3	60.3	60.3
F	65.2	65.2	65.2
G	21.4	21.4	21.4
Cargo Box Volume ⁽⁵⁾	52.8	62.3	77.4

(1) Regular Cab and SuperCab — late availability with 8-ft. box.

(2) On 145.0" wheelbase SuperCrew.

(3) On 122.4" wheelbase Regular Cab, 145.0" wheelbase SuperCab and 156.8" wheelbase SuperCrew.

(4) On 141.1" wheelbase Regular Cab and 163.7" wheelbase SuperCab.

(5) Does not include allowances for wheelhouses.

NOTE: Specifications and descriptions contained within are based upon the most current information available at the time of release. Content subject to change.

NOTE: Please see the Major Product Summary pages and/or the Dealer Ordering Guide for availability.

2015 F-150

Weight Ratings

F-150 Styleside Pickup – GVWR/Payload/OPT & ARC/GAWR (Front Computer-Selected)/Base Curb Weight

Cab Style/ Drive/WB (in.)	Engine	Max. GVWR (lbs.)	Max. Payload (lbs.) ⁽¹⁾	Min. OPT/ARC Weight (lbs.) ⁽²⁾	Max. GAWR (lbs.) ⁽³⁾		Base Curb Weight (lbs.)		
					Front	Rear	Front	Rear	Total
Regular Cab 4x2 122	3.5L Ti-VCT	6010	1910	1169	2850	3300	2324	1726	4050
	2.7L EcoBoost	6010	1800	1048	2850	3300	2424	1744	4168
	5.0L Ti-VCT	6200	1930	1191	2850	3800	2466	1757	4223
Regular Cab 4x2 141	3.5L Ti-VCT	6100	1900	1080	3000	3300	2447	1707	4154
	2.7L EcoBoost	6100	1800	955	3000	3300	2528	1729	4257
	2.7L EcoBoost ⁽⁴⁾	6650	2250	1431	3150	3800	2587	1769	4356
	5.0L Ti-VCT	6750	2360	1522	3150	3800	2615	1729	4344
	3.5L EcoBoost	7050	2580	1737	3150	4050	2637	1782	4419
	5.0L Ti-VCT ⁽⁵⁾	7600	3070	2358	3400	4550	2654	1778	4482
SuperCab 4x2 145	5.0L Ti-VCT ⁽⁶⁾	7850	3300	2541	3400	4800	2657	1843	4500
	3.5L EcoBoost ⁽⁵⁾	7600	3040	2341	3400	4550	2618	1864	4512
	3.5L EcoBoost ⁽⁶⁾	7850	3270	2521	3400	4800	2651	1879	4530
	3.5L Ti-VCT	6100	1680	261	3250	3300	2522	1849	4371
	2.7L EcoBoost	6250	1740	240	3300	3300	2597	1866	4463
	2.7L EcoBoost ⁽⁴⁾	6750	2160	688	3375	3800	2641	1899	4540
SuperCab 4x2 164	5.0L Ti-VCT	6900	2330	836	3375	3800	2634	1887	4521
	3.5L EcoBoost	6900	2280	777	3375	3800	2640	1931	4571
	2.7L EcoBoost	6500	1910	413	3450	3300	2674	1865	4539
	2.7L EcoBoost ⁽⁴⁾	6900	2210	738	3525	3800	2734	1906	4640
	5.0L Ti-VCT	7000	2330	836	3525	3800	2734	1887	4621
	3.5L EcoBoost	7050	2290	794	3600	4050	2761	1942	4703
SuperCrew 4x2 145	5.0L Ti-VCT ⁽⁵⁾	7600	2790	1589	3750	4550	2791	1970	4761
	5.0L Ti-VCT ⁽⁶⁾	7850	3020	1655	3750	4800	2794	1985	4779
	3.5L EcoBoost ⁽⁵⁾	7600	2770	1583	3750	4550	2782	1998	4780
	3.5L EcoBoost ⁽⁶⁾	7850	3000	1648	3750	4800	2785	2013	4798
	3.5L Ti-VCT	6150	1630	209	3225	3300	2578	1893	4471
	2.7L EcoBoost	6250	1640	128	3300	3300	2638	1925	4563
SuperCrew 4x2 157	2.7L EcoBoost ⁽⁴⁾	6650	1960	475	3375	3800	2682	1959	4641
	5.0L Ti-VCT	6800	2130	604	3375	3800	2680	1942	4622
	3.5L EcoBoost	6800	2070	537	3375	3800	2689	1990	4679
	2.7L EcoBoost	6350	1700	174	3450	3300	2693	1909	4602
	2.7L EcoBoost ⁽⁴⁾	6800	2070	569	3450	3800	2739	1944	4683
	5.0L Ti-VCT	6950	2230	697	3525	3800	2755	1909	4664
Regular Cab 4x4 122	3.5L EcoBoost	7000	2230	680	3525	3800	2767	1955	4722
	5.0L Ti-VCT ⁽⁵⁾	7600	2680	1485	3750	4550	2846	2019	4865
	5.0L Ti-VCT ⁽⁶⁾	7850	2910	1530	3750	4800	2849	2034	4883
	3.5L EcoBoost ⁽⁵⁾	7600	2660	1482	3400	4550	2834	2048	4882
Regular Cab 4x4 122	3.5L EcoBoost ⁽⁶⁾	7850	2900	1525	3750	4800	2837	2063	4900
	3.5L Ti-VCT	6050	1690	985	3000	3300	2570	1739	4309
	2.7L EcoBoost	6050	1580	853	3150	3300	2663	1762	4425
	5.0L Ti-VCT	6400	1860	1112	3150	3800	2711	1776	4487

- (1) Load rating represents maximum allowable weight of people, cargo and body equipment and is reduced by available equipment weight.
(2) OPT/ARC Weight is the maximum allowable weight for regular production options (OPT) and aftermarket equipment. Accessory Reserve Capacity (ARC) for models with standard equipment and the engine/transmission combination indicated.
(3) Gross Axle Weight Rating (GAWR) is determined by the rated capacity of the minimum component of the axle system (axle, computer-selected springs, wheels, tires) of a specific vehicle. Front and rear GAWRs will, in all cases, sum to a number equal to or greater than the GVWR for the particular vehicle. Maximum loaded vehicle (including passengers, equipment and payload) cannot exceed the GVWR.
(4) Ratings based on 2.7L EcoBoost V6 Payload Package (622).
(5) Ratings based on 17" tire/wheel. Refer to the Heavy-duty Payload Package (627) for details.
(6) Ratings based on 18" tire/wheel. Refer to the Heavy-duty Payload Package (627) for details.

NOTE: Refer to pages 79 and 80 for Standard Powertrain/Chassis Equipment Specifications. See the Truck Payload Appendices section on eSourceBook for available equipment ratings.

NOTE: Specifications and descriptions contained within are based upon the most current information available at the time of release. Content subject to change.

NOTE: Please see the Major Product Summary pages and/or the Dealer Ordering Guide for availability.

F-150

Weight Ratings cont'd

2015

F-150

F-150 Styleside Pickup – GVWR/Payload/OPT & ARC/GAWR (Front Computer-Selected)/Base Curb Weight

Cab Style/ Drive/WB (in.)	Engine	Max. GVWR (lbs.)	Max. Payload (lbs.) ⁽¹⁾	Min. OPT/ARC Weight (lbs.) ⁽²⁾	Max. GAWR (lbs.) ⁽³⁾		Base Curb Weight (lbs.)		
					Front	Rear	Front	Rear	Total
Regular Cab 4x4 141	3.5L Ti-VCT	6100	1670	874	3150	3300	2668	1717	4385
	2.7L EcoBoost	6250	1700	882	3225	3300	2768	1732	4500
	2.7L EcoBoost ⁽⁴⁾	6800	2140	1349	3375	3800	2834	1774	4608
	5.0L Ti-VCT	6950	2300	1453	3375	3800	2822	1774	4596
	3.5L EcoBoost	7050	2330	1508	3375	4050	2843	1825	4668
	5.0L Ti-VCT ⁽⁵⁾	7600	2830	2104	3400	4550	2862	1853	4715
	5.0L Ti-VCT ⁽⁶⁾	7850	3060	2287	3400	4800	2865	1868	4733
	3.5L EcoBoost ⁽⁵⁾	7600	2820	2106	3400	4550	2846	1880	4726
SuperCab 4x4 145	3.5L EcoBoost ⁽⁶⁾	7850	3050	2286	3400	4800	2849	1895	4744
	3.5L Ti-VCT	6300	1660	265	3375	3300	2726	1861	4587
	2.7L EcoBoost	6500	1740	257	3500	3300	2793	1910	4703
	2.7L EcoBoost ⁽⁴⁾	7000	2160	710	3600	3800	2860	1923	4783
	5.0L Ti-VCT	7050	2230	715	3600	3800	2866	1904	4770
SuperCab 4x4 164	3.5L EcoBoost	7050	2170	690	3600	3800	2873	1949	4822
	5.0L Ti-VCT	7000	2060	544	3650	3800	2858	2029	4887
	3.5L EcoBoost	7050	2030	548	3650	4050	2847	2117	4964
	5.0L Ti-VCT ⁽⁵⁾	7600	2540	1322	3750	4550	2947	2059	5006
	5.0L Ti-VCT ⁽⁶⁾	7850	2770	1384	3750	4800	2950	2074	5024
	3.5L EcoBoost ⁽⁵⁾	7600	2520	1322	3750	4550	2935	2085	5020
SuperCrew 4x4 145	3.5L EcoBoost ⁽⁶⁾	7850	2760	1382	3750	4800	2938	2100	5038
	3.5L Ti-VCT	6350	1600	197	3450	3300	2781	1915	4696
	2.7L EcoBoost	6500	1640	150	3500	3300	2868	1938	4806
	2.7L EcoBoost ⁽⁴⁾	6900	1960	497	3600	3800	2889	1995	4884
	5.0L Ti-VCT	7000	2080	532	3600	3800	2879	1992	4871
SuperCrew 4x4 157	3.5L EcoBoost	7000	2020	506	3600	3800	2888	2037	4925
	5.0L Ti-VCT	7050	2070	509	3650	3800	2957	1973	4930
	3.5L EcoBoost	7050	2010	482	3650	3800	2967	2017	4984
	5.0L Ti-VCT ⁽⁵⁾	7600	2430	1215	3750	4550	3081	2033	5114
	5.0L Ti-VCT ⁽⁶⁾	7850	2660	1255	3750	4800	3084	2048	5132
	3.5L EcoBoost ⁽⁵⁾	7600	2420	1219	3750	4550	3065	2059	5124
	3.5L EcoBoost ⁽⁶⁾	7850	2650	1257	3750	4800	3068	2074	5142

- (1) Load rating represents maximum allowable weight of people, cargo and body equipment and is reduced by available equipment weight.
(2) OPT/ARC Weight is the maximum allowable weight for regular production options (OPT) and aftermarket equipment. Accessory Reserve Capacity (ARC) for models with standard equipment and the engine/transmission combination indicated.
(3) Gross Axle Weight Rating (GAWR) is determined by the rated capacity of the minimum component of the axle system (axle, computer-selected springs, wheels, tires) of a specific vehicle. Front and rear GAWRs will, in all cases, sum to a number equal to or greater than the GVWR for the particular vehicle. Maximum loaded vehicle (including passengers, equipment and payload) cannot exceed the GVWR.
(4) Ratings based on 2.7L EcoBoost V6 Payload Package (622).
(5) Ratings based on 17" tire/wheel. Refer to the Heavy-duty Payload Package (627) for details.
(6) Ratings based on 18" tire/wheel. Refer to the Heavy-duty Payload Package (627) for details.

NOTE: Refer to pages 79 and 80 for Standard Powertrain/Chassis Equipment Specifications. See the Truck Payload Appendices section on eSourceBook for available equipment ratings.

NOTE: Specifications and descriptions contained within are based upon the most current information available at the time of release. Content subject to change.

NOTE: Please see the Major Product Summary pages and/or the Dealer Ordering Guide for availability.

Revised October 2014

esourcebook.dealerconnection.com

RE&T: 2015 Source Book

2015

F-150**Standard Powertrain/Chassis
Equipment Specifications****F-150 4x2 Styleside Pickup^{(1),(2)}**

POWERTRAIN:		Refer to the Ordering Guide for 50 States Usage
Engine	— Type	3.5L V6 Ti-VCT
Transmission	— Type	6R80E 6-speed Auto OD
AXLES:		
Front Axle	— Type	Long-spindle Double-wishbone, Coil-over-shock IFS
	— Capacity (Rating @ Ground)	TBD lbs.
Rear Axle	— Type	Semi-floating
	— Capacity (Rating @ Ground)	TBD lbs.
BRAKES:		
Front/Rear Disc	— Type	Vented, Twin-piston Front and Single-piston Rear Caliper
	— Rotor Diameter — Front/Rear	13.8"/13.7"
Power Assist Unit	— Type	Tandem-diaphragm
	— Effective Diameter	9.07" Front/8.98" Rear
Anti-Lock Braking System		4-wheel (4-channel with Electronic Brake Force Distribution)
Parking Brake (Rear Brakes)		Foot-operated, Hand Release
ELECTRICAL:		
Alternator	— Rating	200 Amp, 2700 Watt/240 Amp, 3240 Watt
Battery	— Type	Maintenance-free (Battery Saver System Standard)
	— Rating	70 Amp-hr., 610 CCA; 80 Amp-hr., 730 CCA
Harnesses	— Type	3-pin Connector
FUEL TANK:	— Capacity	23.0 Gal.
JACK:	— Capacity	2 Tons
STEERING:	— Type	Power, Rack-and-pinion; Electric Power-assist
	— Ratio	20.0:1 122" WB, 141" WB
		17.0:1 145" WB, 157" WB, 164" WB
SUSPENSION:		
Frame	— Type	Fully boxed, modular high-strength steel with 8 crossmembers that are welded on both sides
	— Section Modulus (cu. in.)	See Frame Specifications
Springs, Front	— Type	Coil, Computer-selected
	— Rating @ Ground (min.)	NA
Springs, Rear	— Type	Leaf, Two-stage Variable-rate, Computer-selected
	— Rating @ Ground (min.)	NA
Shock Absorbers	— Gas-type	Front 1.38"/Rear 1.26"
Stabilizer Bar	— Position/Diameter/Type	Front/36 mm/Hollow ⁽³⁾
TIRES:	— Type	Steel-belted Radial All-season Less 8200-lb. GVWR; Steel-belted Radial All-terrain with 8200-lb. GVWR
	— Size	Five P235/75R17 BSW Less 8200-lb. GVWR; Five LT245/75R17E BSW with 8200-lb. GVWR
	— Spare Tire Carrier	Rear Underframe, Winch-type with Safety Catch (Locking-type, Lock Cylinder in Rear Bumper Opened by Ignition Key)
WHEELS:	— Type and Size	Four 17" x 7.5" Gray Styled Steel with Same-size Steel Spare (6-hole Disc); Five 17" x 7.5" 7-lug Steel (7-hole Disc) with 8200-lb. GVWR

(1) 8200-lb. GVWR is included with the available Heavy-duty Payload Package (627) and requires either the 5.0L 4V V8 or 3.5L 4V V6 engine. In addition to the equipment listed above, this package also includes Super Engine Cooling, 9-channel oil-to-air auxiliary transmission oil cooler, frame upgrade (.150 rail thickness).

(2) Refer to notes below for powertrain/chassis upgrades included with available trim levels.

(3) All 122" WB models get a stiffer 36 mm solid stabilizer bar along with models equipped with either the Trailer Tow Package (53A) or the Max. Trailer Tow Package (53C). Models with the Heavy-duty Payload Package (627) get a 36 mm solid stabilizer bar as well.

NOTE: Refer to pages 77 and 78 for Standard & Available Weight Rating Specifications (GVWR/Payload/Spring & GAWR/Base Curb Weight).

NOTE: Specifications and descriptions contained within are based upon the most current information available at the time of release. Content subject to change.

NOTE: Please see the Major Product Summary pages and/or the Dealer Ordering Guide for availability.

F-150

Standard Powertrain/Chassis Equipment Specifications cont'd

2015

F-150

F-150 4x4 Styleside Pickup^{(1),(2)}

POWERTRAIN:		Refer to the Ordering Guide for 50 States Usage
Engine	— Type	3.5L V6 Ti-VCT
Transmission	— Type	6R80E 6-Speed Auto OD
Transfer Case	— Type	Electronic Shift
	— Low/High Gear Ratio	2.64:1/1.00:1
AXLES:		
Front Axle	— Type	Long-spindle Double-wishbone, Coil-over-shock IFS
	— Capacity (Rating @ Ground)	TBD lbs.
Rear Axle	— Type	Semi-floating
	— Capacity (Rating @ Ground)	TBD
BRAKES:		
Front/Rear Disc	— Type	Vented, Twin-piston Front and Single-piston Rear Caliper
	— Rotor Diameter — Front/Rear	13.8"/13.7"
Power Assist Unit	— Type	Tandem-diaphragm
	— Effective Diameter	9.07" Front/8.98" Rear
Anti-Lock Braking System		4-wheel (4-channel with Electronic Brake Force Distribution)
Parking Brake (Rear Brakes)		Foot-operated, Hand Release
ELECTRICAL:		
Alternator	— Rating	200 Amp, 2700 Watt/240 Amp, 3240 Watt
Battery	— Type	Maintenance-free (Battery Saver System Standard)
	— Rating	70 Amp-hr., 610 CCA; 80 Amp-hr., 730 CCA
Harnesses	— Type	3-pin Connector
FUEL TANK:		
	— Capacity	23.0 Gal.
JACK:		
	— Capacity	2 Ton
STEERING:		
	— Type	Power, Rack-and-pinion; Electric Power-assist
	— Ratio	20.0:1 122" WB, 141" WB 17.0:1 145" WB, 157" WB, 164" WB
SUSPENSION:		
Frame	— Type	Fully boxed, modular high-strength steel with 8 crossmembers that are welded on both sides
	— Section Modulus (cu. in.)	See Frame Specifications
Springs, Front	— Type	Coil, Computer-selected
	— Rating @ Ground (min.)	NA
Springs, Rear	— Type	Leaf, Two-stage Variable-rate, Computer-selected
	— Rating @ Ground (min.)	NA
Shock Absorbers	— Gas-type	Front 1.38"/Rear 1.26"
Stabilizer Bar	— Position/Diameter/Type	Front/36 mm/Hollow ⁽³⁾
TIRES:		
	— Type	Steel-belted Radial All-terrain
	— Size	Five P235/75R17 BSW Less 8200-lb. GVWR; Five LT245/75R17E BSW with 8200-lb. GVWR; Five LT315/70R17 BSW
	— Spare Tire Carrier	Rear Underframe, Winch-type with Safety Catch (Locking-type, Lock Cylinder in Rear Bumper Opened by Ignition Key)
WHEELS:		
	— Type and Size	Four 17" x 7.5" Gray Styled Steel with Same-size Steel Spare (6-hole Disc); Five 17" x 7.5" 7-lug Steel (7-hole Disc) with 8200-lb. GVWR; Five 17" x 8.5" Aluminum (6-hole) (SVT Raptor)

(1) 8200-lb. GVWR is included with the available Heavy-duty Payload Package (627) and requires either the 5.0L 4V V8 or 3.5L 4V V6 engine. In addition to the equipment listed above, this package also includes Super Engine Cooling, 9-channel oil-to-air auxiliary transmission oil cooler, frame upgrade (.150 rail thickness).

(2) Refer to notes below for powertrain/chassis upgrades included with available trim levels.

(3) All 122" WB models get a stiffer 36 mm solid stabilizer bar along with models equipped with either the Trailer Tow Package (53A) or the Max. Trailer Tow Package (53C). Models with the Heavy-duty Payload Package (627) get a 36 mm solid stabilizer bar as well.

NOTE: Refer to pages 77 and 78 for Standard & Available Weight Rating Specifications (GVWR/Payload/Spring & GAWR/Base Curb Weight).

NOTE: Specifications and descriptions contained within are based upon the most current information available at the time of release. Content subject to change.

NOTE: Please see the Major Product Summary pages and/or the Dealer Ordering Guide for availability.

Revised October 2014

esourcebook.dealerconnection.com

RE&T: 2015 Source Book

2015

F-150

Technical Specifications

Axle

FRONT AXLE SPECIFICATIONS

Series/Model	F-150 4x2	F-150 4x4
Type	Long-spindle Double-wishbone, Coil-over-shock Independent Front Suspension	
Max. Rating @ Ground (lbs.)	NA	NA
Upper Control Arm	— Material	Stamped Steel
Lower Control Arm	— Material	Stamped Steel
Spring	— Type	Coil-over-shock, Computer-selected
Ball Joints	Lubed-for-Life	
Spindle	— Material	Cast Aluminum Body with Forged Steel Stem
Wheel Bearings	— Type	Tapered Roller (GEN I Cartridge) Tapered Roller (GEN 2 Flange)

REAR AXLE SPECIFICATIONS

Series/Model	F-150 4x2	F-150 4x4
Max. Rating @ Ground (lbs.) (Engine)	NA	NA
Make	Standard/ Electronic-locking	Electronic- locking
Axle Ratios (:1)	3.31, 3.55, 3.73	3.15, 3.55, 3.73
Ring Gear	— Pitch Diameter (in.)	8.80 9.75 9.75HD
Housing	— Type	Cast Center
	— Cover Attachment	Bolted
Lubricant Capacity (pt.)	4.0–4.15	5.5–5.65 4.0–4.15 5.5–5.65
Wheel Bearings	— Type	Straight Roller
Gears	— Type	Hypoid
	— Material	Alloy Steel
Pinion	— Mounting	Overhung
Differential	— Type	2-pinion
	— Bearings	Tapered Roller

Brakes

FOUR-WHEEL VENTED DISC (ABS)

Type	Model	Axle Usage	Rotor Dia. (in.)		Brake Lining Segment	Area (sq. in.)/ Width (in.)/ Thickness (in.)	Caliper Piston Dia. (in.)	Gross Lining Area Per Axle (sq. in.)	Total Swept Area Per Axle (sq. in.)
Rotor (Disc)	All	TBD	13.8	9.33	Outboard Inboard	9.99/2.53/0.55 10.36/2.53/0.55	Dual 2.13	40.6	297.5

HYDRAULIC BRAKE EQUIPMENT SPECIFICATIONS — REAR DISC

Type	Model	Axle Usage (in.)	Rotor Dia. (in.)		Brake Lining Segment	Area (sq. in.)/ Width (in.)/ Thickness (in.)	Caliper Piston Dia. (in.)	Gross Lining Area Per Axle (sq. in.)	Total Swept Area Per Axle (sq. in.)
Rotor (Disc)	DIH	9.75, 8.8 w/5.0L engine	13.7	10.28	Outboard	3.88/1.48/0.41	Single 2.13	15.5	254.5
Rotor (Disc)	Elec. Pk. Brake	8.8 (less 5.0L engine)	13.23	9.57	Outboard	4.31/1.54/0.43	Single 2.13	17.2	254.1

NOTE: Specifications and descriptions contained within are based upon the most current information available at the time of release. Content subject to change.

NOTE: Please see the Major Product Summary pages and/or the Dealer Ordering Guide for availability.

F-150

Technical Specifications cont'd

2015

F-150

Brakes (cont'd)

BRAKE MASTER CYLINDER SPECIFICATIONS

Type	Bore Dia. (in.)
Dual-bore	1.187–1.370

POWER BRAKES VACUUM BOOSTER SPECIFICATIONS

Make/Type	Effective Dia. (in.)	Outside Dia. (in.)	Diaphragm Type
Dash-mounted	9.07 Front/8.98 Rear	9.93 Max. OD	Tandem

Cooling Systems

COOLING SYSTEM SPECIFICATIONS

Engine	Radiator Usage ⁽¹⁾	Frontal Area (sq. cm.)	Core Size (mm)			Rows of Tubes	Fins Per dm	Cooling System Cap. (liters)	Fans ⁽²⁾	
			Height	Width	Core				Diameter (mm)	No. of Blades
3.5L V6	Standard	400	454.3	880	26	56	85	14.50	370/396	5/5
2.7L EcoBoost V6	Standard	400	454.3	880	26	56	85	15.50	370/396	5/5
5.0L V8	Standard	400	454.3	880	26	56	85	15.00	370/396	5/5
3.5L EcoBoost V6	Standard	400	454.3	880	26	56	85	14.75	370/396	5/5

(1) All radiators include in-tank oil-to-water transmission oil cooler, except 5.0L does not include iTOC.

(2) Larger fan is nylon; the smaller fan is glass-filled polypropylene.

AUXILIARY AUTOMATIC TRANSMISSION OIL COOLER APPLICATIONS

Engine	Transmission	Cooler Applications		
		Standard	Trailer Tow Package (Class IV)	Heavy Payload Group
3.5L V6	6R80E	4-channel	4-channel	—
2.7L EcoBoost V6	6R80E	4-channel	4-channel	—
5.0L V8	6R80E	4-channel	4-channel	—
3.5L EcoBoost V6	6R80E	4-channel	4-channel	4-channel

Fuel System

FUEL SYSTEM DATA

Sequential Electronic Fuel Injection	3.5L V6	Multiport
	2.7L EcoBoost V6	Direct
	5.0L V8	Multiport
	3.5L EcoBoost V6	Direct
Fuel Pump	Single Electric In-tank High-pressure	
	In-tank Electric High-pressure	
	Engine-mounted Booster	
Fuel Filter	All Engines	In-tank Lifetime
Air Cleaner	All Engines	Dry Element, Replaceable

NOTE: Specifications and descriptions contained within are based upon the most current information available at the time of release. Content subject to change.

NOTE: Please see the Major Product Summary pages and/or the Dealer Ordering Guide for availability.

September 2014

esourcebook.dealerconnection.com

RE&T: 2015 Source Book

Steering

STEERING SPECIFICATIONS

Cab	Wheelbase (in.)	Rack-and-pinion Power Steering ⁽¹⁾		Turning Diameter (ft.) Curb-to-Curb
		Rack Speed (mm Per Revolution)	Vehicle Steering Ratio	
Regular	122	47.4	20.0:1	40.7
	141	47.4	20.0:1	46.1
SuperCab	145	54.5	17.0:1	47.1
	145 (w/Max. Trailer Tow)	54.5	17.0:1	47.1
	164	54.5	17.0:1	53.0
SuperCrew	145	54.5	17.0:1	47.8
	145 (w/Max. Trailer Tow)	54.5	17.0:1	47.8
	157	54.5	17.0:1	51.1
	157 (w/Max. Trailer Tow)	54.5	17.0:1	51.1

(1) All gears include nibble damper.

Suspensions

FRAME SPECIFICATIONS

Model	Wheelbase (in.)	No. of Crossmembers	Maximum Side Rail Section (in.)	Section Modulus (cu. in.)	Yield Strength (psi)
Regular Cab 4x2	122	8	9.06 x 3.58 x .087 (LD)	4.95	49,300
			9.06 x 3.58 x .1 (HD)	5.73	49,300
Regular Cab 4x4	141	8	9.06 x 3.58 x .087 (LD)	4.95	49,300
			9.06 x 3.58 x .11 (HD/HPP)	6.28	49,300
Regular Cab 4x4	122	8	9.06 x 3.58 x .087 (LD)	4.95	49,300
			9.06 x 3.58 x .1 (HD)	5.73	49,300
SuperCab 4x2	145	8	9.06 x 3.58 x .087 (LD)	4.95	49,300
			9.06 x 3.58 x .1 (HD)	5.73	49,300
SuperCab 4x4	145	8	9.06 x 3.58 x .087 (LD)	4.95	49,300
			9.06 x 3.58 x .1 (HD)	5.93	49,300
SuperCrew 4x2	145	8	9.06 x 3.58 x .087 (LD)	4.95	49,300
			9.06 x 3.58 x .1 (HD)	5.73	49,300
SuperCrew 4x2	157	8	9.06 x 3.58 x .1 (HD)	5.73	49,300
			9.06 x 3.58 x .11 (HPP)	6.28	49,300
SuperCrew 4x4	145	8	9.06 x 3.58 x .087 (LD)	4.95	49,300
			9.06 x 3.58 x .1 (HD)	5.73	49,300
SuperCrew 4x4	157	8	9.06 x 3.58 x .1 (HD)	5.73	49,300
			9.06 x 3.58 x .11 (HPP)	6.28	49,300
SuperCab 4x2	164	8	9.06 x 3.58 x .087 (LD)	4.95	49,300
SuperCab 4x4	164	8	9.06 x 3.58 x .11 (HD/HPP)	6.28	49,300
			9.06 x 3.58 x .11 (HD/HPP)	6.28	49,300

NOTE: Specifications and descriptions contained within are based upon the most current information available at the time of release. Content subject to change.

NOTE: Please see the Major Product Summary pages and/or the Dealer Ordering Guide for availability.

F-150

Technical Specifications cont'd

2015

F-150

Suspensions cont'd

SHOCK ABSORBER SPECIFICATIONS

Usage	Front			Rear		
	No. Used	Piston Dia. (in.)	Type	No. Used	Piston Dia. (in.)	Type
Standard	2	1.38	Gas-pressurized	2	1.26	Gas-pressurized

SPRING SPECIFICATIONS — FRONT COIL

Model	Combined Rating @ Ground (lbs.)	Normal Working Height of Spring (in.)	Inside Dia. (in.)	Wire Dia. (in.)	Deflection Rate @ Ground (lbs. per in. ea.)
4x2/4x4 ⁽¹⁾	2850	12.0	3.75	.619	314
	3000	12.0	3.75	.640	354
	3150	12.0	3.75	.659	394
	3225	12.0	3.75	.678	433
	3300	12.0	3.75	.678	433
	3375	12.0	3.75	.695	473
	3450	12.0	3.75	.695	473
	3525	12.0	3.75	.712	513
	3600	12.0	3.75	.712	513
	3750	12.0	3.75	.727	553
4x2/4x4 ⁽²⁾	3400	12.0	3.75	.752	633
	3750	12.0	3.75	.744	633

(1) Except Heavy-duty Payload Package.

(2) With Heavy-duty Payload Package only.

SPRING SPECIFICATIONS — REAR MAIN LEAF

Comb. Rating @ Ground (lbs.)	Number of Leaves	Total Thickness @ Pad (in.)	Length (in.)	Width (in.)	Deflection Rate (lbs. per in./spring)
3500	2 + 1	1.75	64.5	3.0	181/385
3850	2 + 1	1.79	64.5	3.0	199/426
4220	2 + 1	2.17	64.5	3.0	216/440
4220	3 + 1	2.19	64.5	3.0	203/442
4800	3 + 1	2.19	64.5	3.0	200/457

NOTE: Specifications and descriptions contained within are based upon the most current information available at the time of release. Content subject to change.

NOTE: Please see the Major Product Summary pages and/or the Dealer Ordering Guide for availability.

Revised January 2015

esourcebook.dealerconnection.com

RE&T: 2015 Source Book

Tires and Wheels

TIRE SPECIFICATIONS

Size	Rim Width (in.)	Section Width (in.)	Static Loaded Radius (in.)
245/70R17 110T A/S BSW	7.5	9.88	13.70
265/70R17 115T A/T OWL	7.5	10.86	14.13
265/60R18 110T A/S BSW	7.5	10.24	13.70
265/60R18 110T A/S BSW	7.5	10.39	13.70
275/65R18 116T A/T OWL	7.5	10.98	14.33
275/55R20 113H A/S BSW	7.5	10.98	14.41
275/55R20 113T A/T OWL	7.5	11.06	14.60
275/55R20 113T A/T BSW	8.5	11.10	14.52
LT245/70R17 114S A/T BSW	8.5	9.96	14.37
LT275/65R18 113S A/T OWL	9.0	11.10	14.88

WHEEL SPECIFICATIONS

Wheel Type	Wheel Size (in.)	Inset (in./mm)	No. of Studs	Bolt Circle (in./mm)	Maximum Wheel Capacity Load (lbs.)
Silver Steel (Heavy-duty Payload Package)	17 x 7.5	1.73/44	6	5.3/135	2022
Silver Steel	17 x 7.5	1.73/44	6	5.3/135	1825
Silver Painted Aluminum	17 x 7.5	1.73/44	6	5.3/135	1825
6-spoke Machined Aluminum	18 x 7.5	1.73/44	6	5.3/135	2101
Silver Heavy-duty Payload Package	18 x 7.5	1.34/34	6	5.3/135	2101
Machined Aluminum	18 x 7.5	1.34/34	6	5.3/135	1825
Chrome-like PVD	18 x 7.5	1.34/34	6	5.3/135	1825
Machined Aluminum w/Painted Pockets	20 x 8.5	1.73/44	6	5.3/135	1825
Aluminum	20 x 8.5	1.73/44	6	5.3/135	1825
6-spoke Premium Painted Aluminum	20 x 8.5	1.73/44	6	5.3/135	1825
Chrome-like PVD Aluminum	20 x 8.5	1.73/44	6	5.3/135	1825
Polished Aluminum	20 x 8.5	1.73/44	6	5.3/135	1825

NOTE: Specifications and descriptions contained within are based upon the most current information available at the time of release. Content subject to change.

NOTE: Please see the Major Product Summary pages and/or the Dealer Ordering Guide for availability.

F-150

Technical Specifications cont'd

2015

F-150

Transfer Case and Transmission

TRANSFER CASE SPECIFICATIONS

Shift Type	Electric Shift-On-the-Fly (ESOF)/ 2-speed Automatic Four-wheel Drive (4WD)
Gear Type	2-speed Planetary Gears
Lubricant Capacity (qt.)	1.3 – 1.5 liters
Gear Ratio – High	1.00:1
Gear Ratio – Low	2.64:1
Case Material	Magnesium

AUTOMATIC TRANSMISSION SPECIFICATIONS

Make/Type	Ford 6-speed Automatic Overdrive (6R80E)
Engines	3.5L V6, 2.7L EcoBoost V6, 5.0L V8, 3.5L EcoBoost V6
Ratios (to 1):	
1st	4.17
2nd	2.34
3rd	1.52
4th	1.14
5th	0.86
6th	0.69
Reverse	3.40
Converter Size and Type	260 mm 155K (Single-stage Conventional)
Converter Stall Ratio	2.30
Lubricant Capacity (qt.)	12.0
Planetary	Simple and Ravigneaux
Helical Gears	All
Oil Cooler	Refer to chart on page 82
Turbine Speed Sensor System	Yes
Fully Electronic Shift Scheduling	Yes
Weight (with Fluid)	211 lbs. (4x2)/208 lbs. (4x4)

NOTE: Specifications and descriptions contained within are based upon the most current information available at the time of release. Content subject to change.

NOTE: Please see the Major Product Summary pages and/or the Dealer Ordering Guide for availability.

September 2014

esourcebook.dealerconnection.com

RE&T: 2015 Source Book