

Glove Compartment

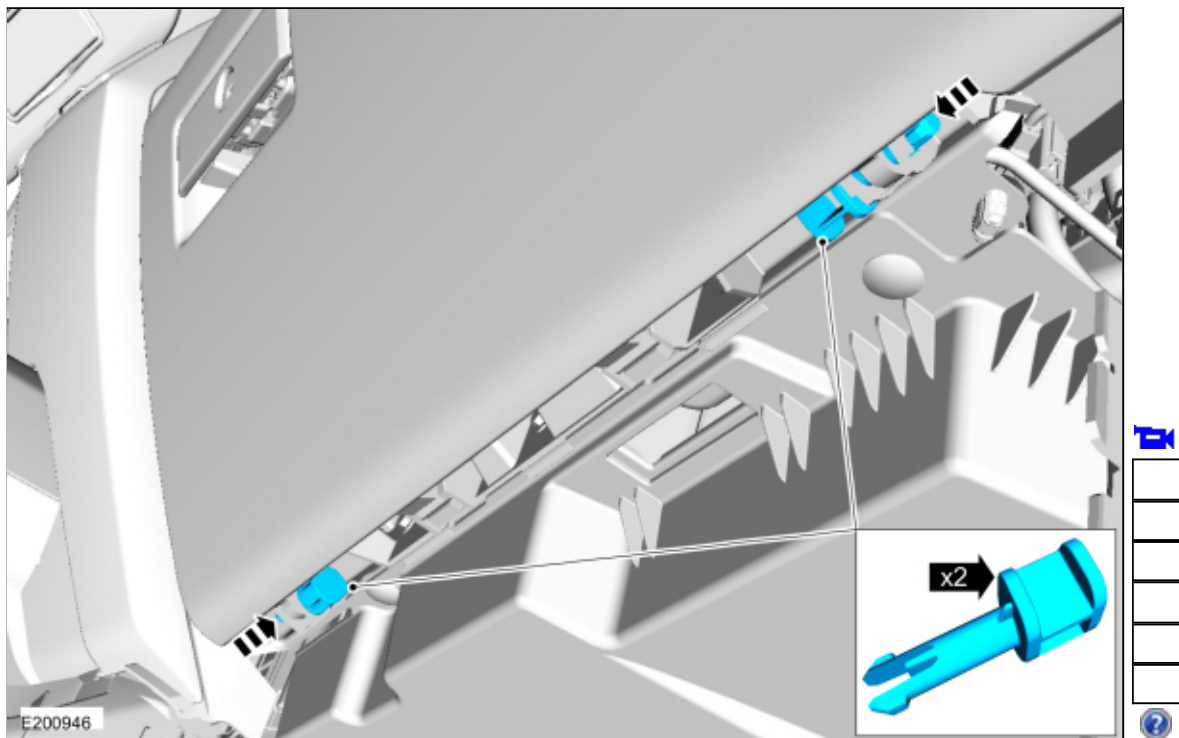
Special Tool(s) / General Equipment

Interior Trim Remover

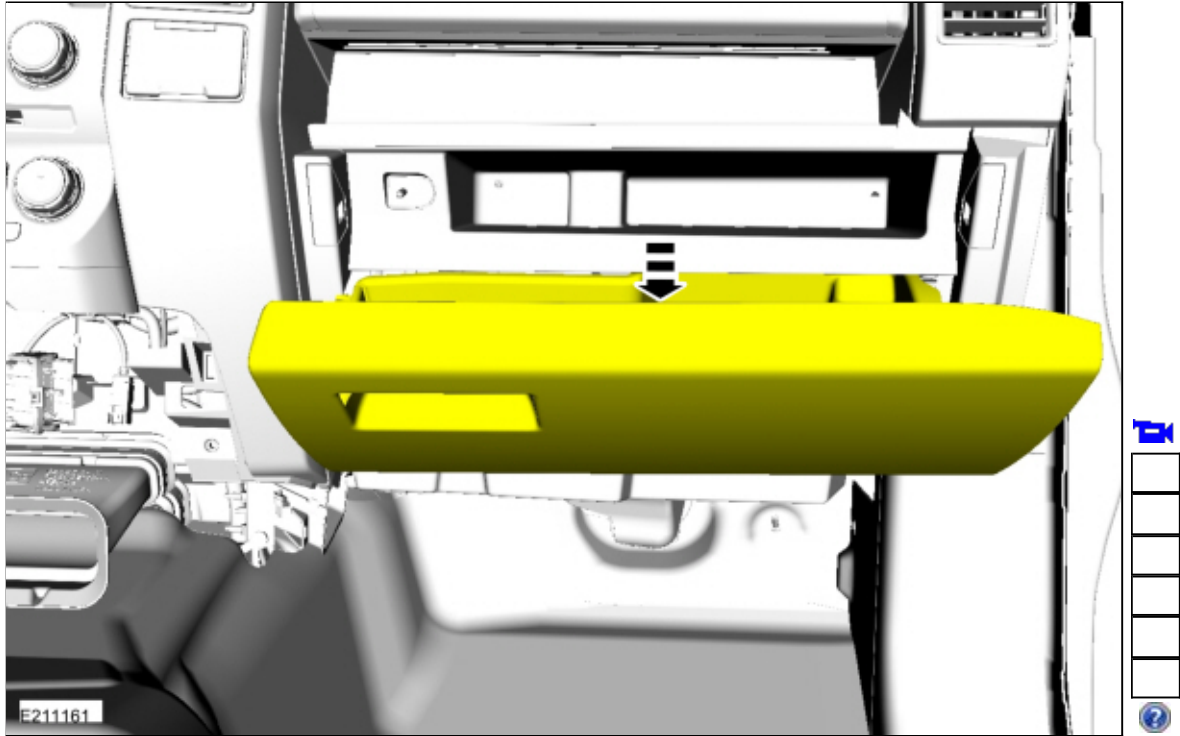
Removal

Glove compartment

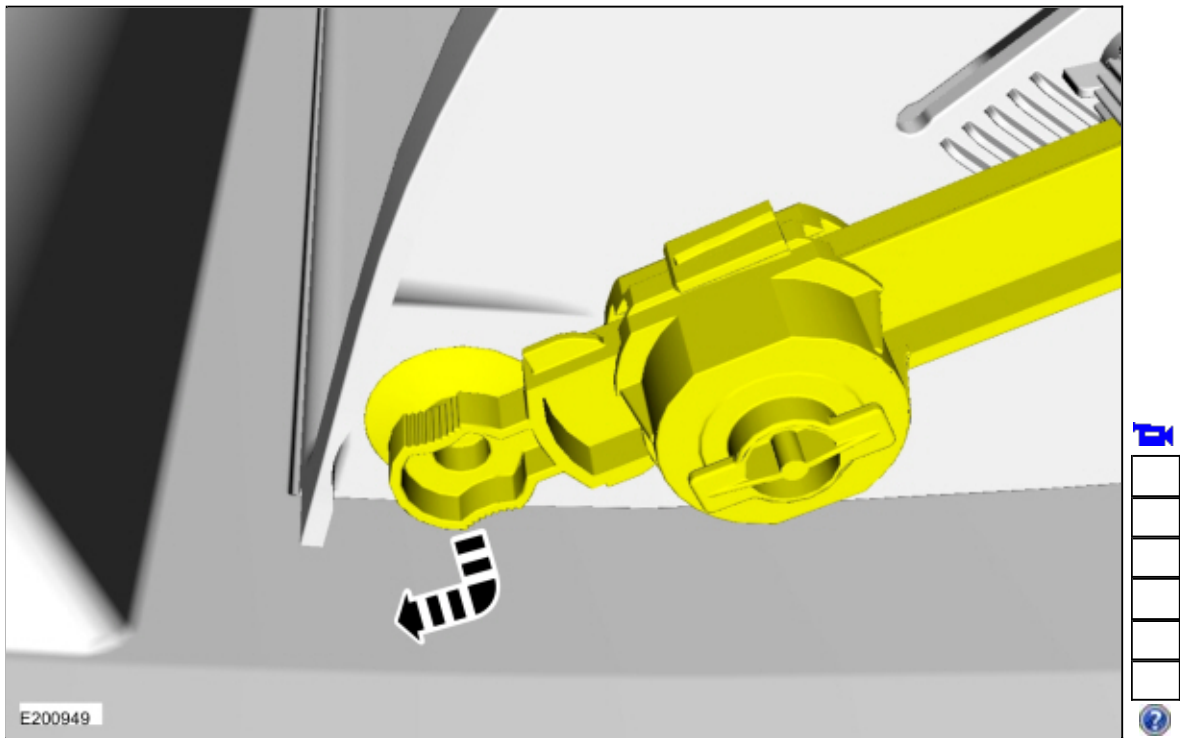
1. Remove the glove compartment hinge pins.



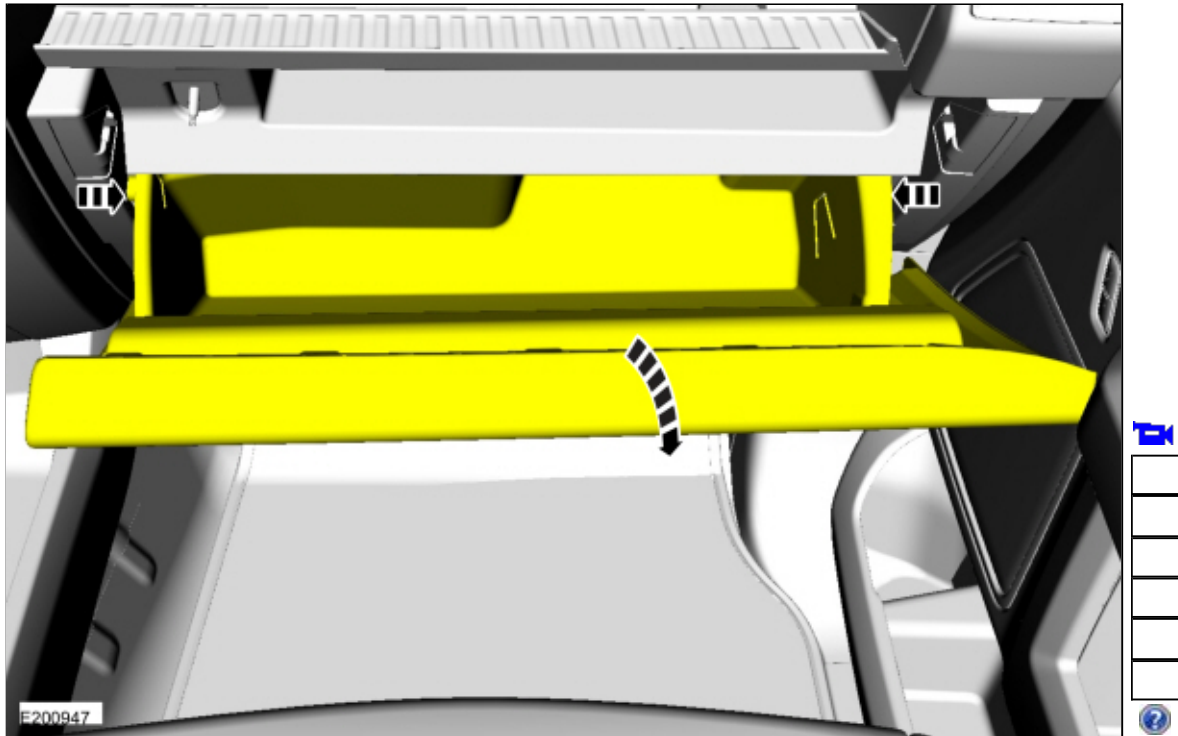
2. Open the glove compartment.



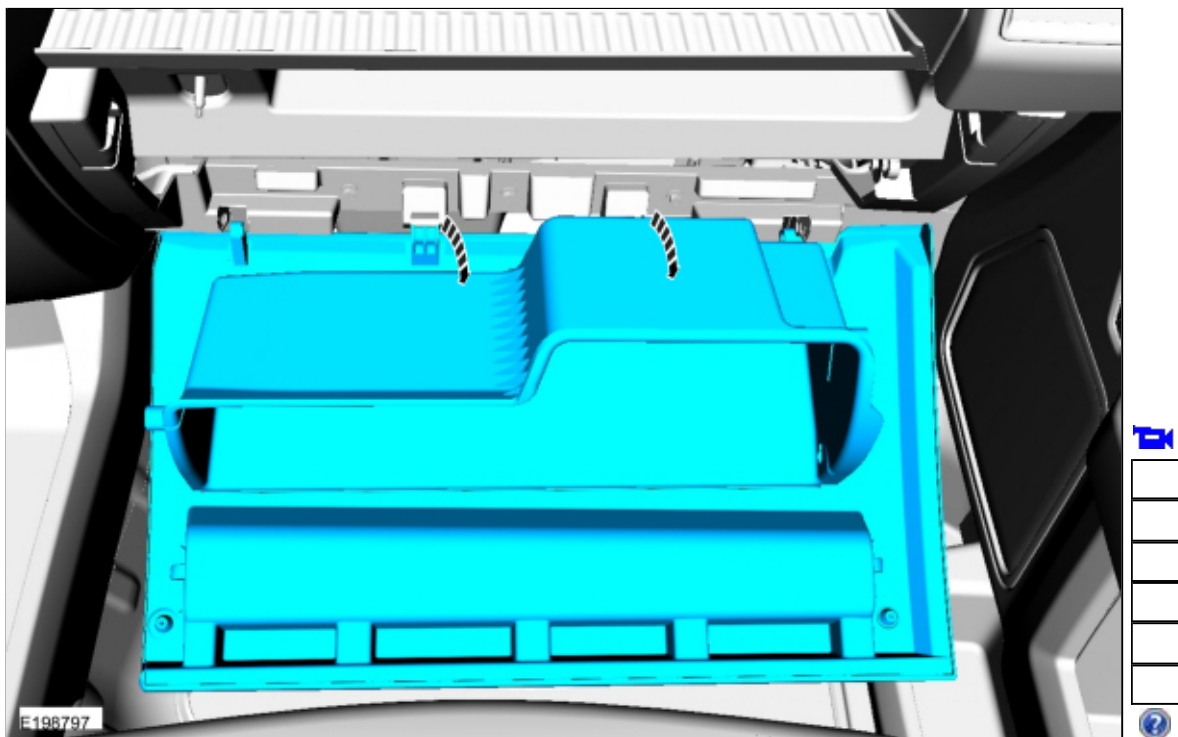
3. Remove the glove compartment dampener from the glove compartment by pushing down and forward at the damper end.



4. Release glove compartment downstops and fully lower the glove compartment.

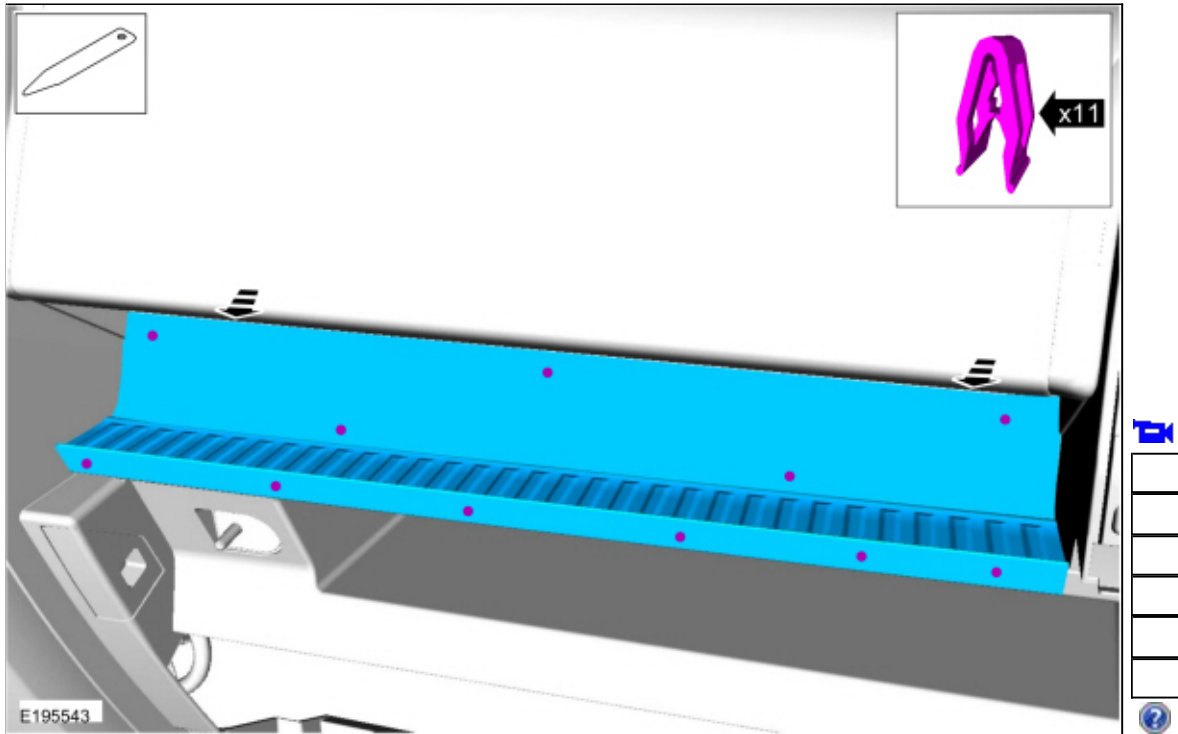


5. Remove the glove compartment from the hinge line.

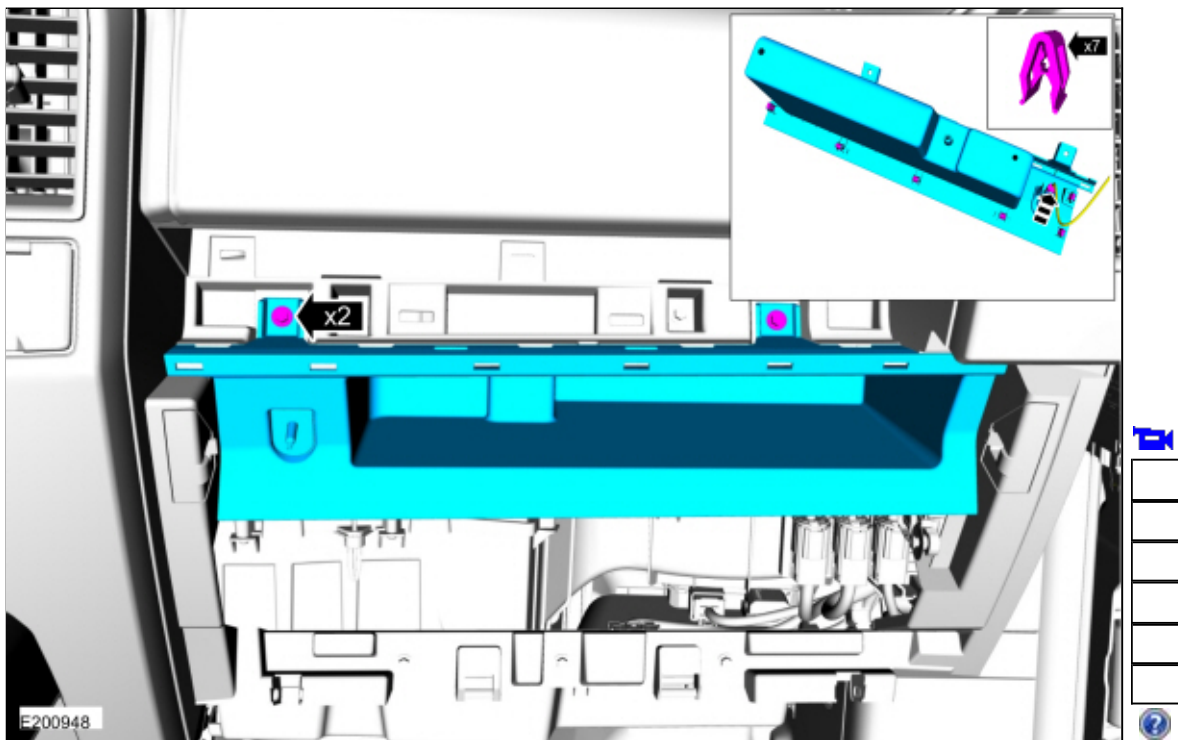


Glove compartment bin

6. Release the clips and remove the RH finish panel.
Use the General Equipment: Interior Trim Remover



7. Remove the bolts, release the clips and remove the glove compartment bin.
 - Disconnect the electrical connector.



Installation

1. To install, reverse the removal procedure.

Copyright © 2018 Ford Motor Company
