

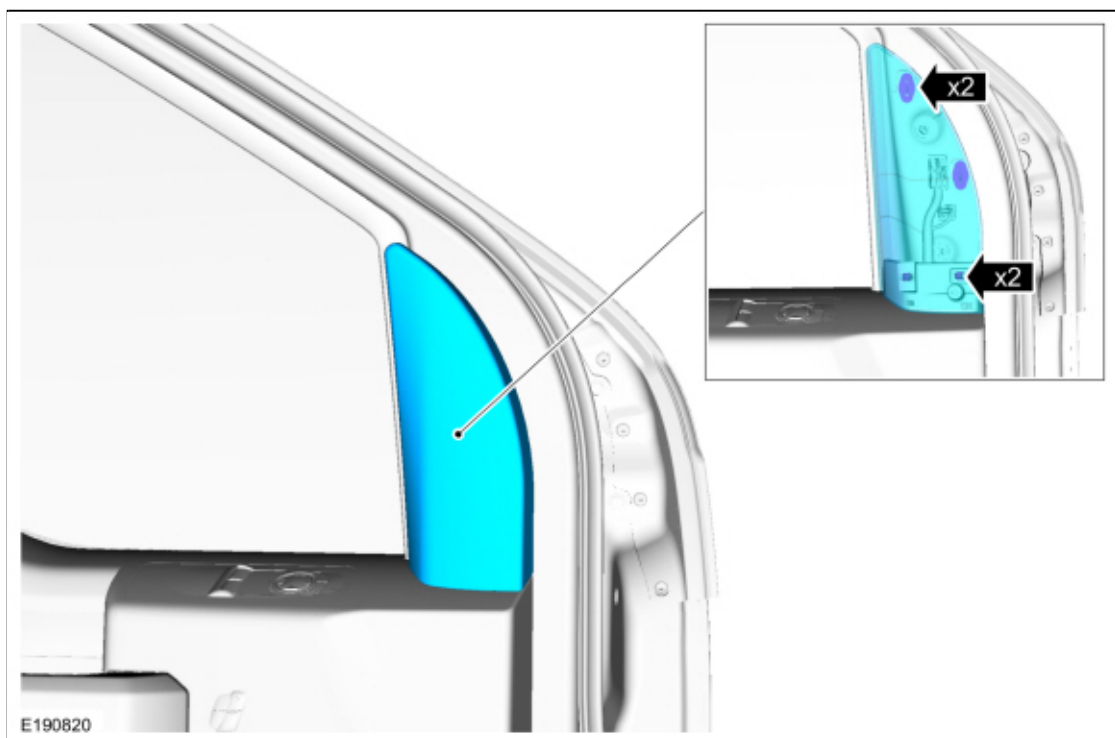
**Exterior Mirror - Vehicles With: Long Arm Mirrors**

Base Part Number: 17682

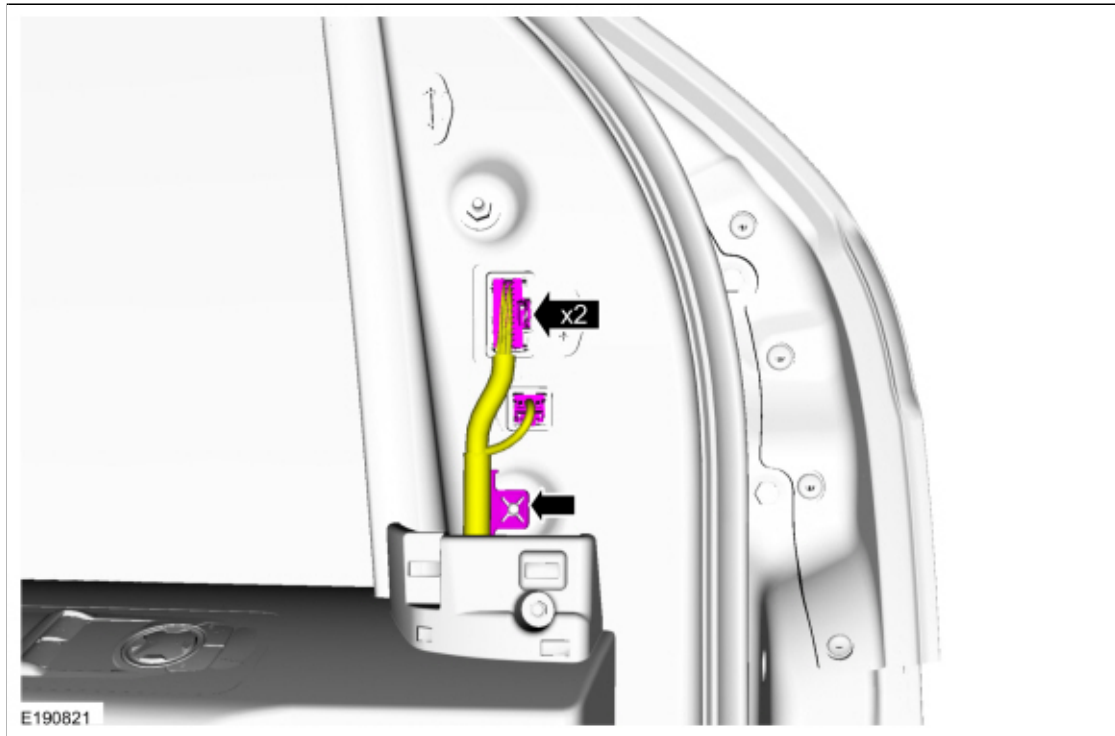
**Removal**

**Exterior mirror**

1. Remove the sail panel trim panel.



2. Disconnect the exterior mirror electrical connectors and separate the wiring harness guide.

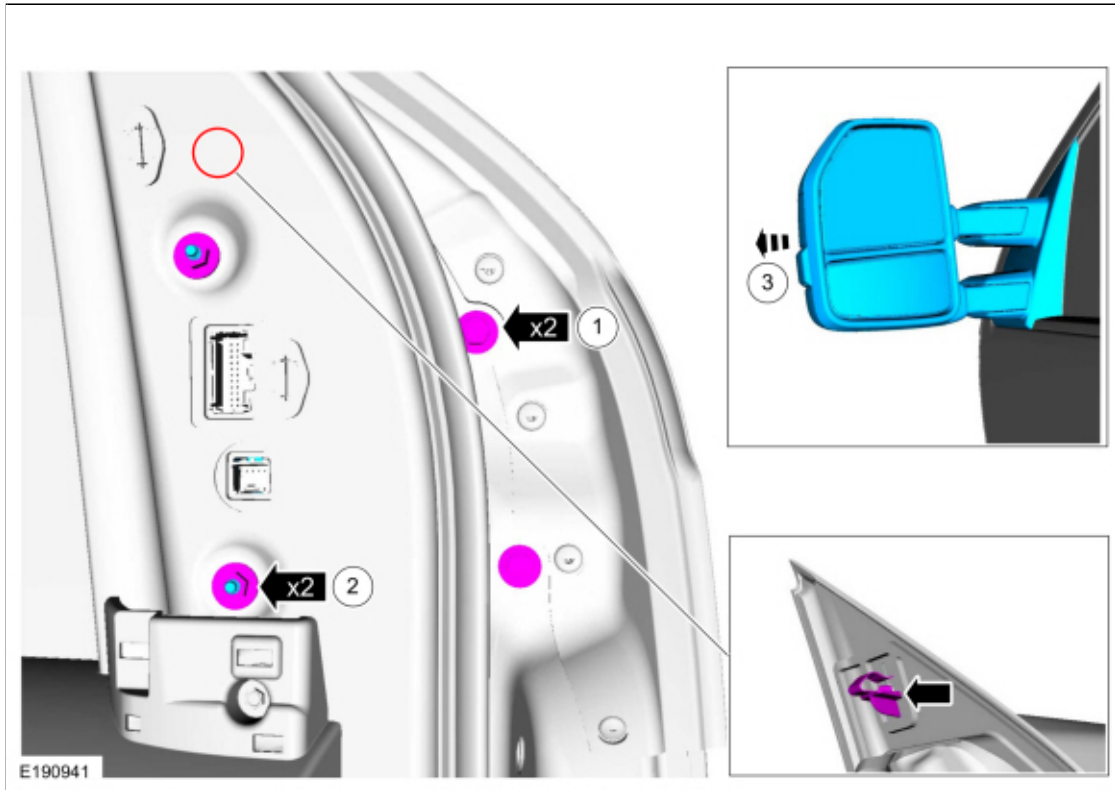


3. **NOTE:** *The mirror assembly has a clip for assembly aid at the factory. If the clip is damaged during mirror removal, remove the clip from the door panel and reuse the mirror.*

Remove the exterior mirror.

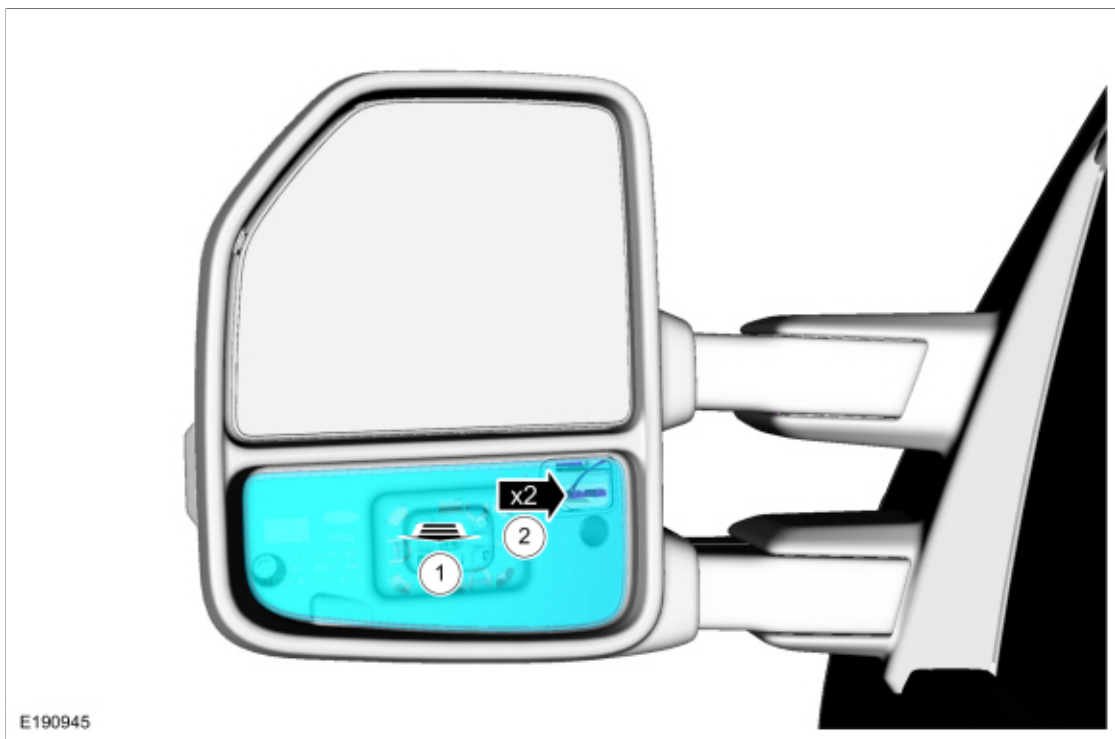
1. Remove the bolts.  
*Torque: 80 lb.in (9 Nm)*
2. Remove the nuts.  
*Torque: 80 lb.in (9 Nm)*
3. Slide the exterior mirror outward.





**Exterior mirror glass lower**

4. Remove the exterior mirror glass lower.
  1. Separate the exterior mirror lower glass from the exterior mirror glass mount.
  2. Disconnect the exterior mirror lower glass electrical connectors.



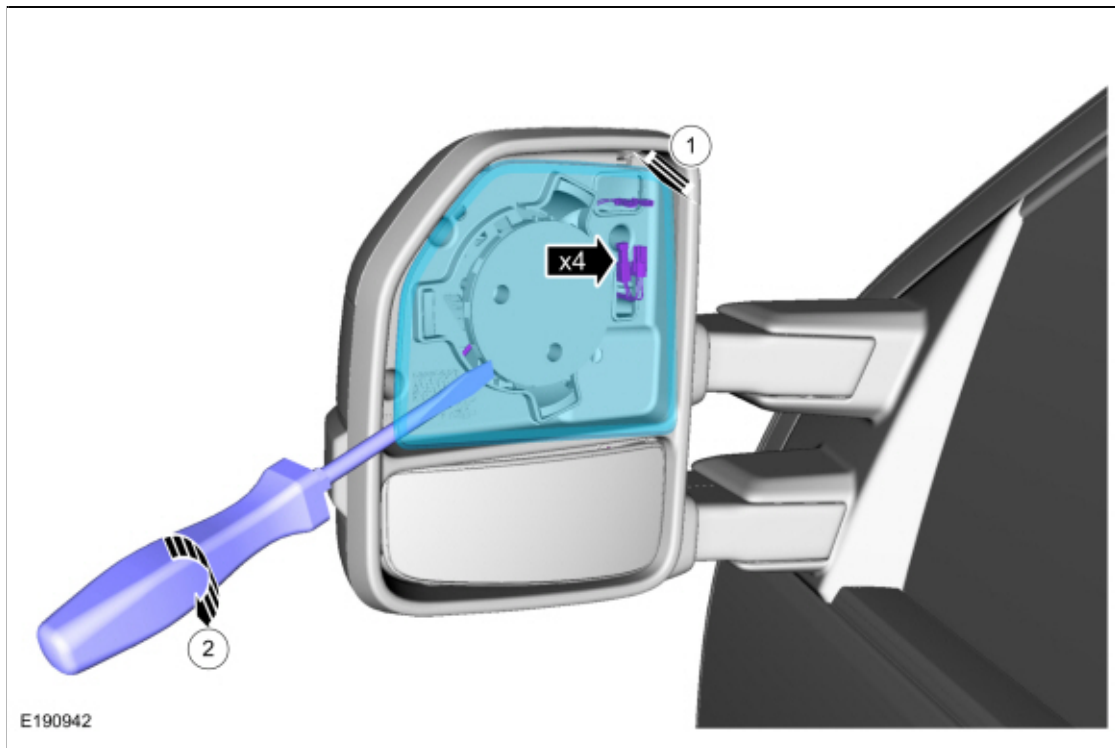
### Exterior mirror glass upper

5. **NOTICE:** Position the screwdriver using the service slot in the mirror glass backing plate to remove the mirror glass. Prying on the backing plate in other locations may damage the mirror glass.

Remove the exterior mirror upper glass.

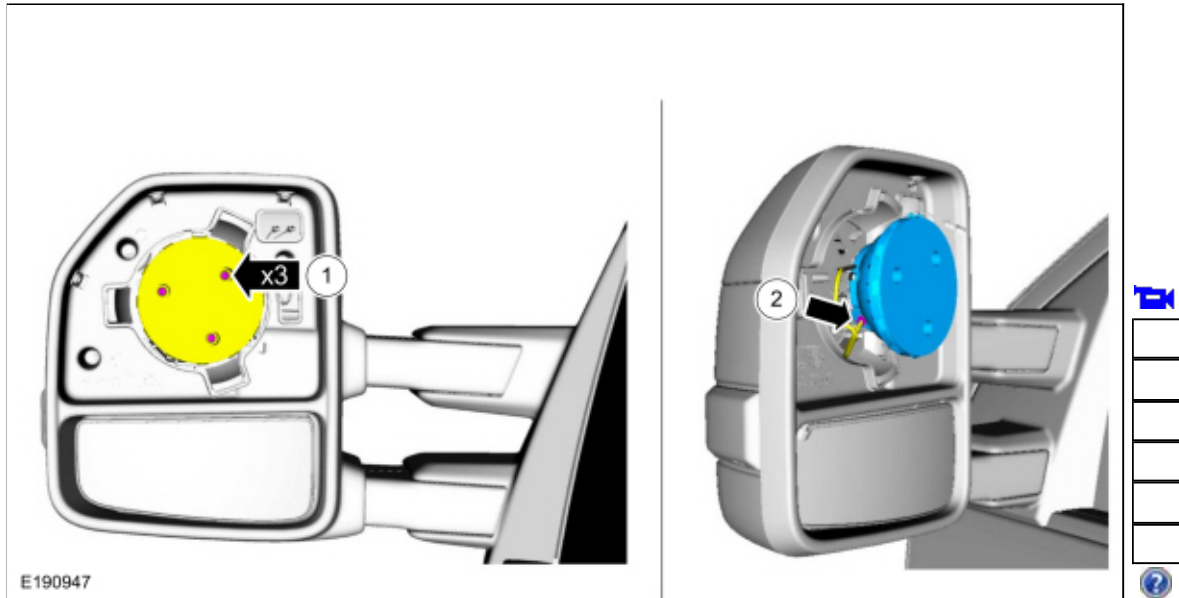
1. Position the mirror glass in and up.
2. Using a flat blade screwdriver separate the exterior mirror upper glass from the exterior mirror motor.
3. **NOTE:** The number and location of the electrical connectors will vary based on mirror option content.

Disconnect the exterior mirror upper glass electrical connectors.



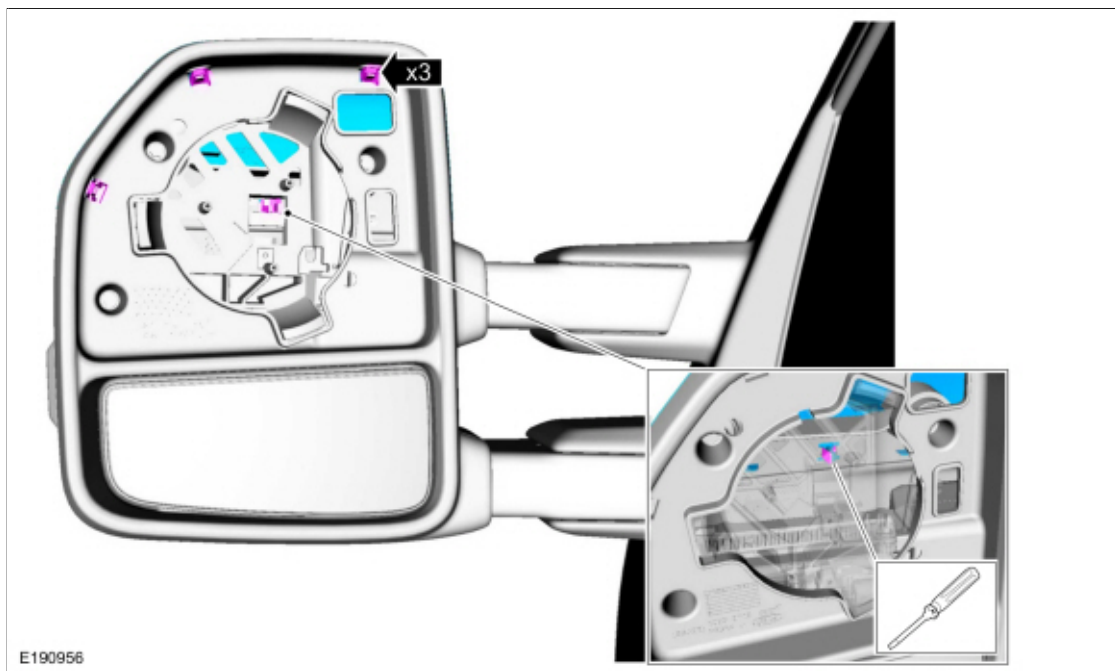
### Exterior mirror motor

6. Remove the exterior mirror upper glass.
7. Remove the exterior mirror motor.
  1. Remove the screws and position the exterior mirror motor aside.
  2. Disconnect the exterior mirror motor electrical connectors.

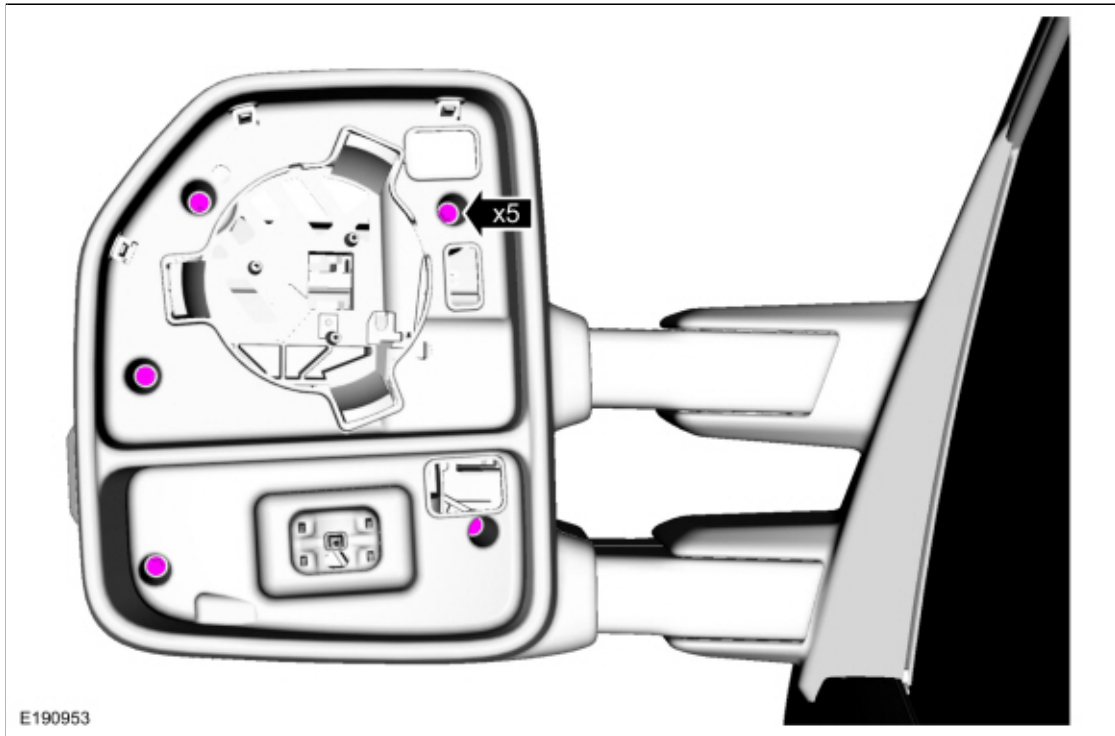


### Exterior mirror cover

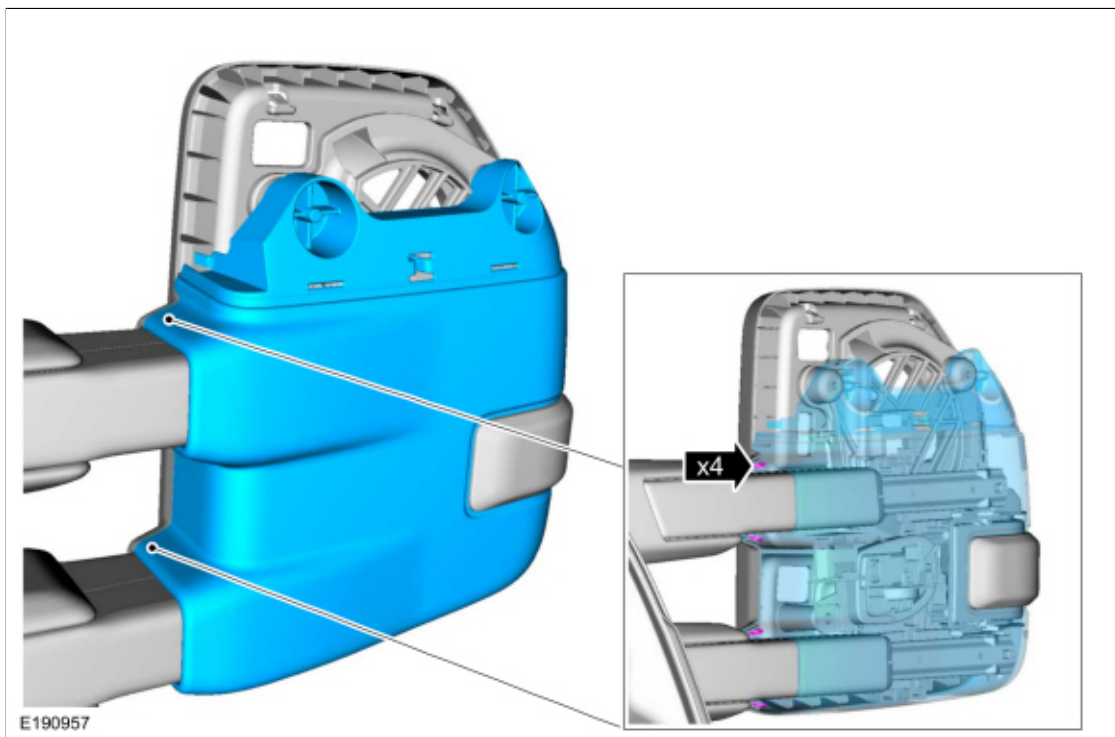
8. Remove the exterior mirror upper glass.
9. Release the tabs and remove the upper exterior mirror cover.



10. Remove the exterior mirror lower glass.
11. Remove the exterior mirror lower cover screws.



12. Release the tabs and remove the exterior mirror lower cover.



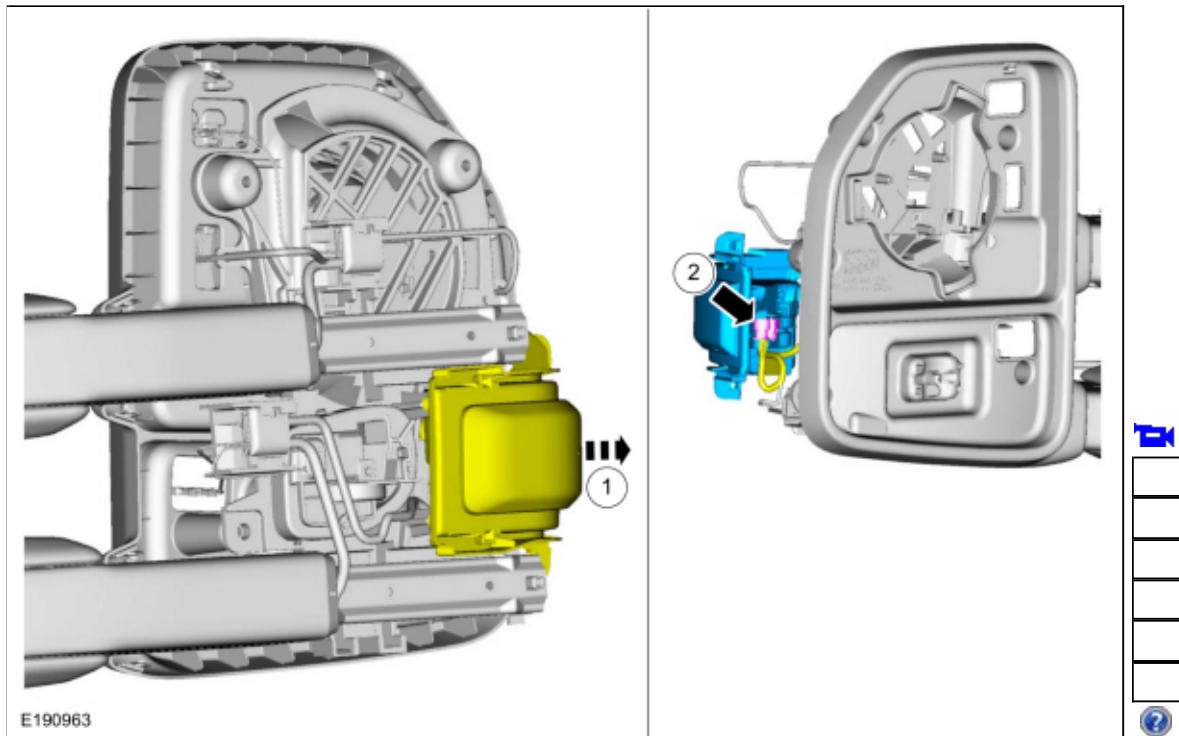
### Exterior mirror mounted turn signal

13. Remove the exterior mirror upper and lower covers.

14. **NOTE:** The turn signal assembly also contains the spotlamp and parking lamp functions depending on option content.

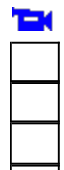
Remove the exterior mirror mounted turn signal.

1. Position the exterior mirror mounted turn signal aside.
2. Disconnect the exterior mirror mounted turn signal electrical connector.

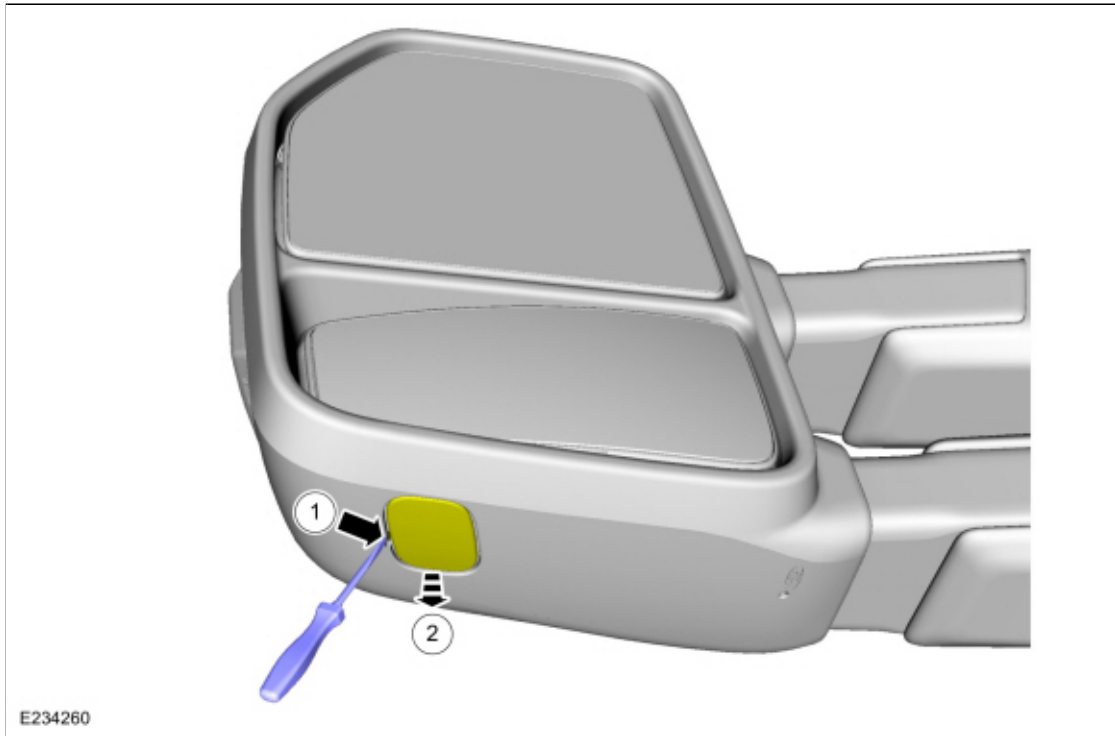


### Puddle lamp

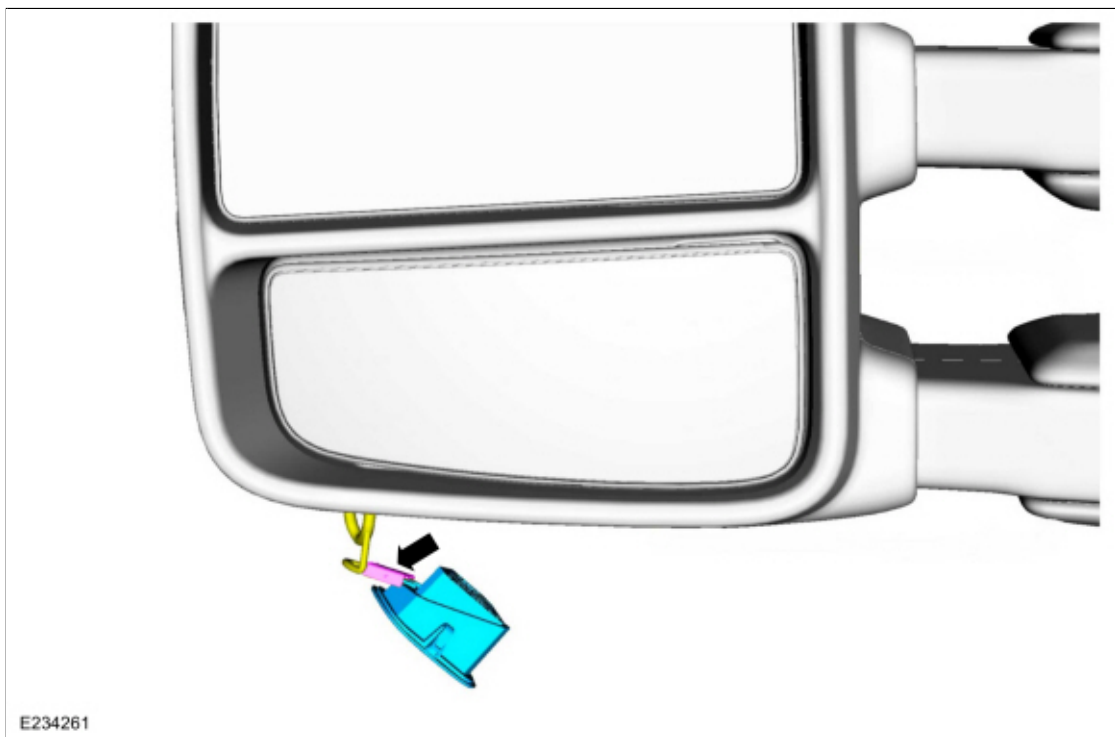
- 15.
1. Using a small flat blade screwdriver, release the puddle lamp retaining tab.
  2. Position the puddle lamp down.







16. Disconnect the electrical connector and remove the puddle lamp.



### Installation

1. To install, reverse the removal procedure.



Copyright © 2018 Ford Motor Company

---