

Rear Door Alignment - SuperCrew

Base Part Number: 24630

Inspection

NOTE: Removal steps in this procedure may contain installation details.

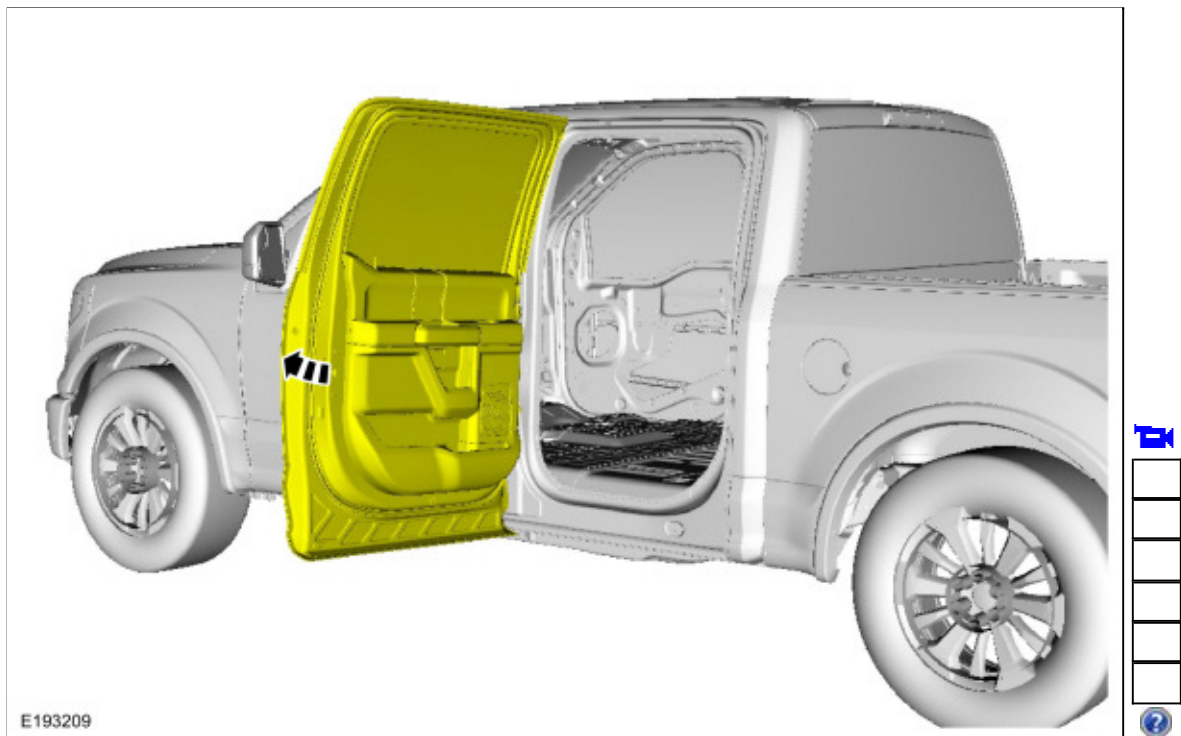
LH side shown, RH side similar.

1. Inspect the rear door-to-body dimensions.
Refer to: [Body and Frame](#) (501-26 Body Repairs - Vehicle Specific Information and Tolerance Checks, Description and Operation).

Adjustment

All alignments

1. Open the rear door.

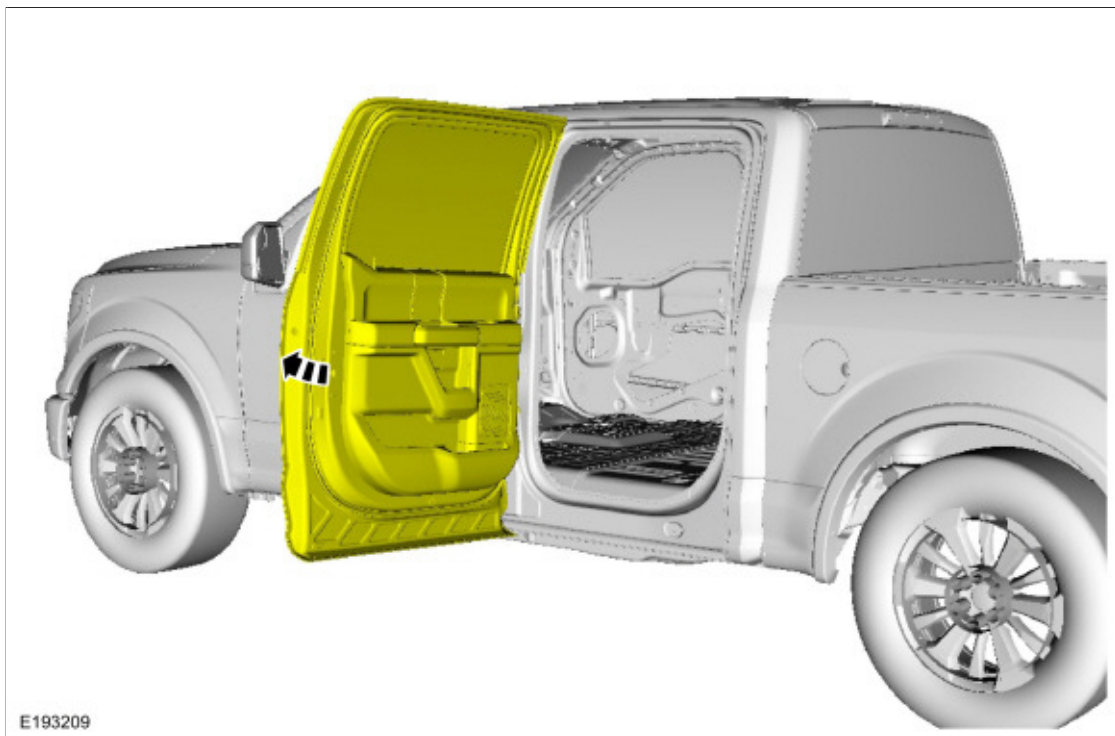


2. Remove the bolts and the striker assembly.



Rear door in and out, up and down alignment

3. Open the rear door.

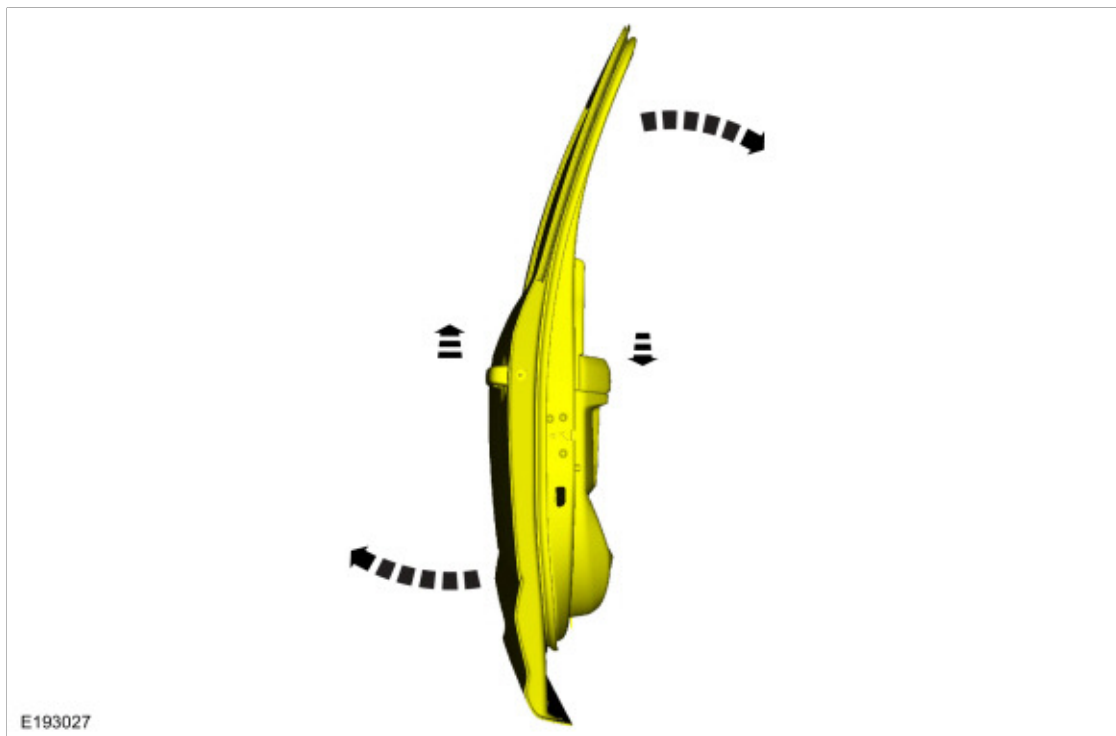


4. Loosen the bolts to permit movement of the door.
Loosen:

: 2 turn(s)



- 5. Adjust the door to specification.
Refer to: [Body and Frame](#) (501-26 Body Repairs - Vehicle Specific Information and Tolerance Checks, Description and Operation).



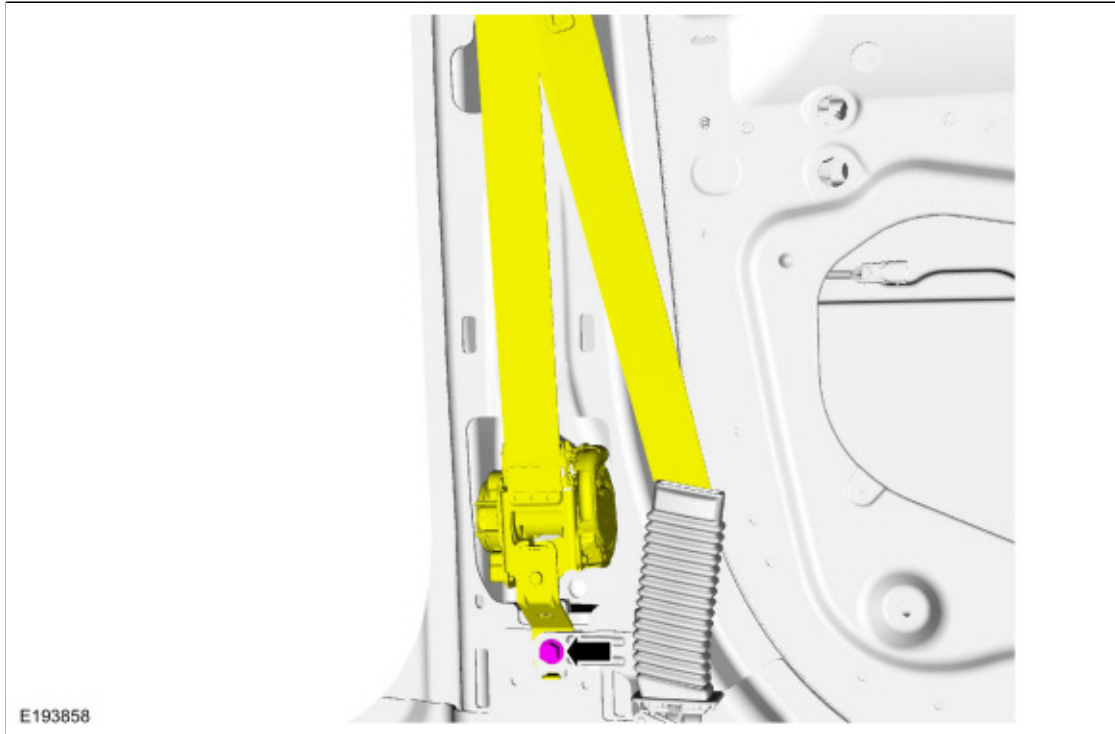
6. Tighten the bolts.
Torque: 41 lb.ft (55 Nm)



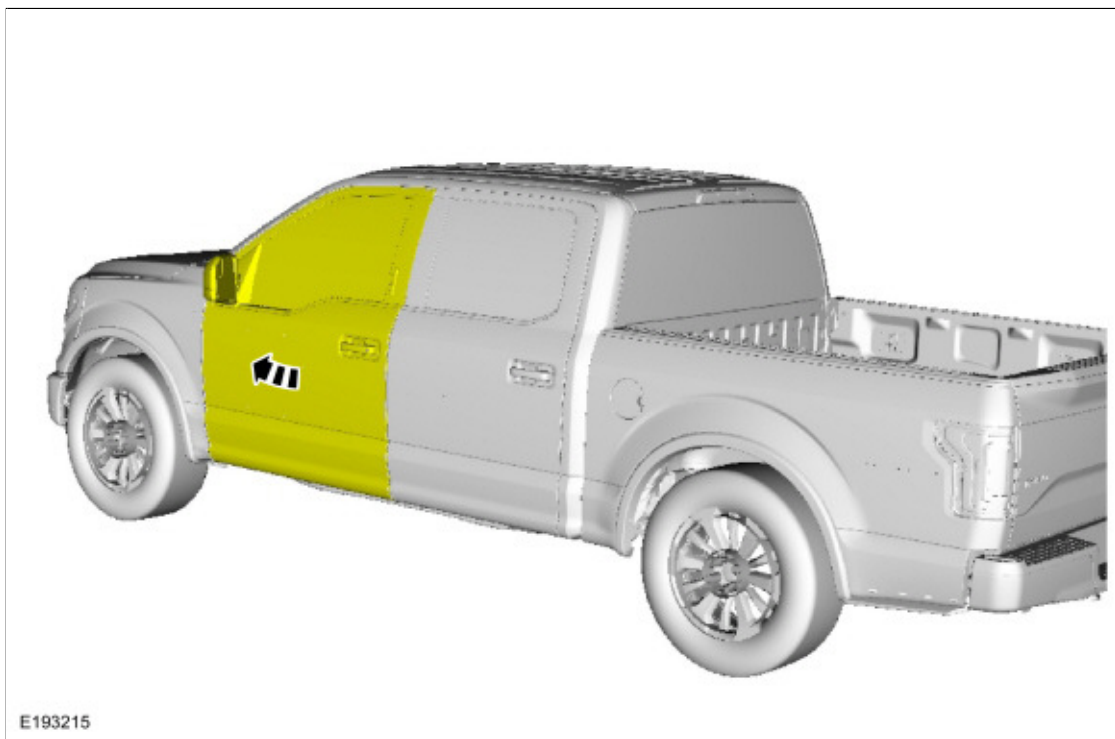
Rear door fore, aft and tilt alignment

7. Remove the B-pillar trim panel.
Refer to: [B-Pillar Trim Panel - SuperCrew](#) (501-05 Interior Trim and Ornamentation, Removal and Installation).
8. Remove the bolt and position aside the safety belt retractor.
Torque: 30 lb.ft (40 Nm)

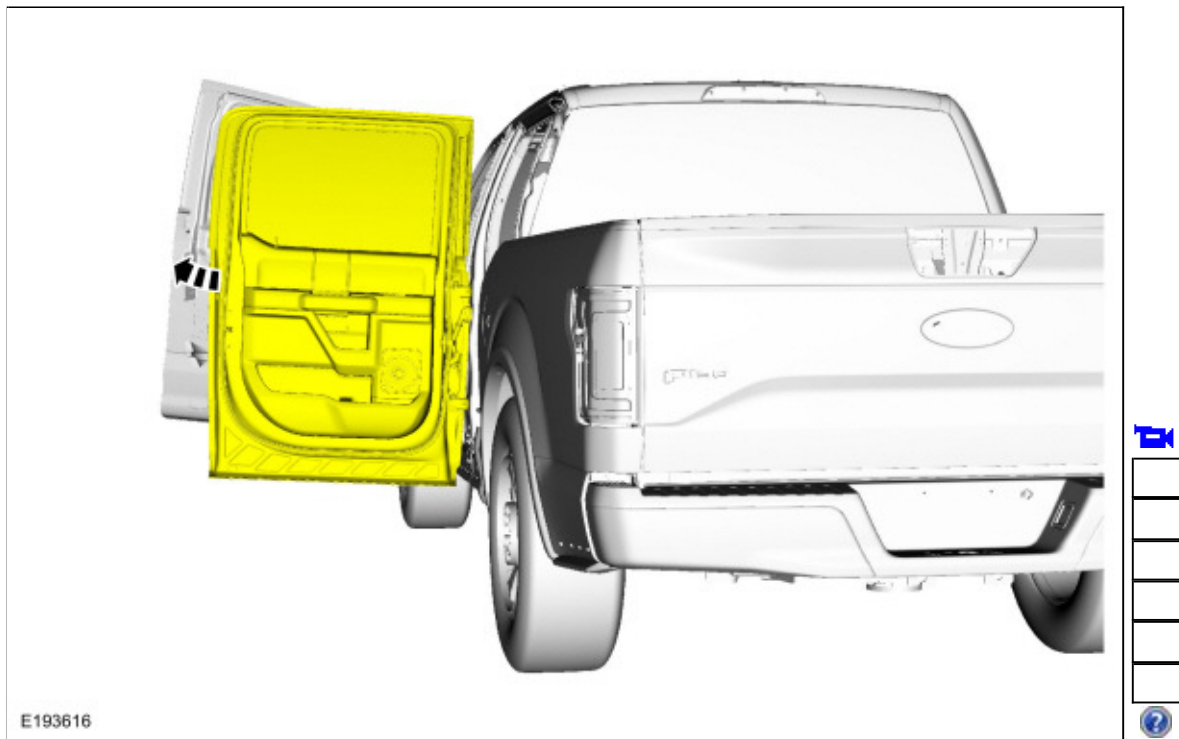




9. Open the front door.

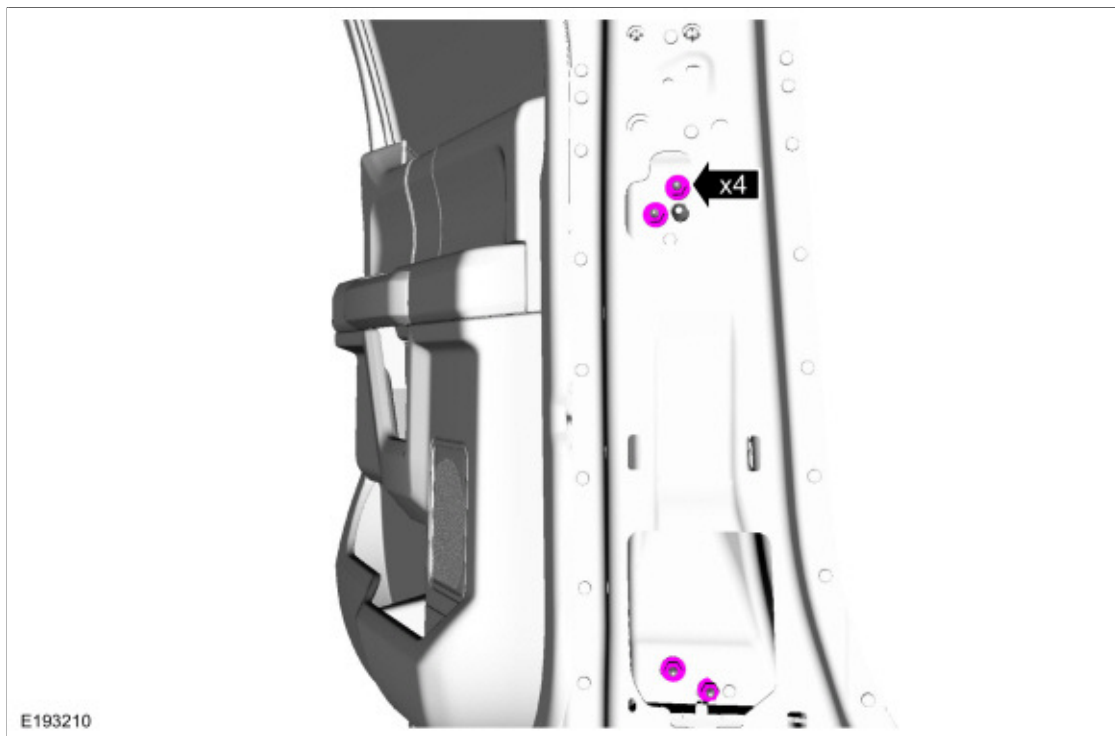


10. Open the rear door.



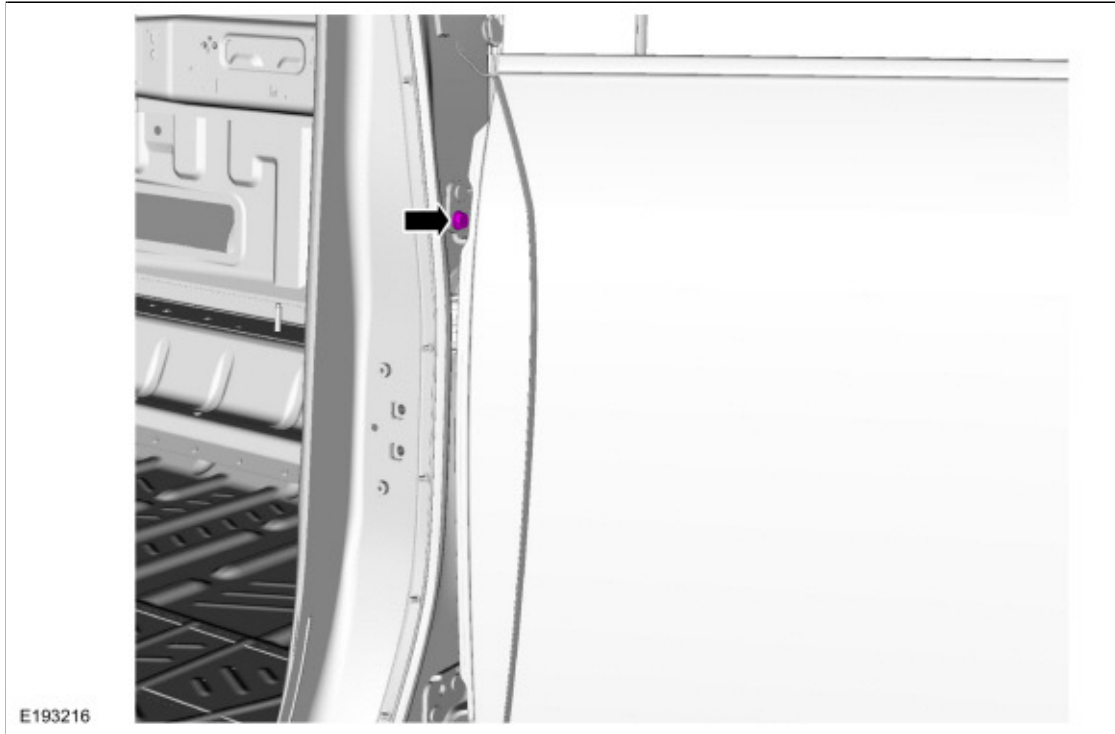
11. Loosen the nuts to permit movement of the door.

Loosen:
: 2 turn(s)

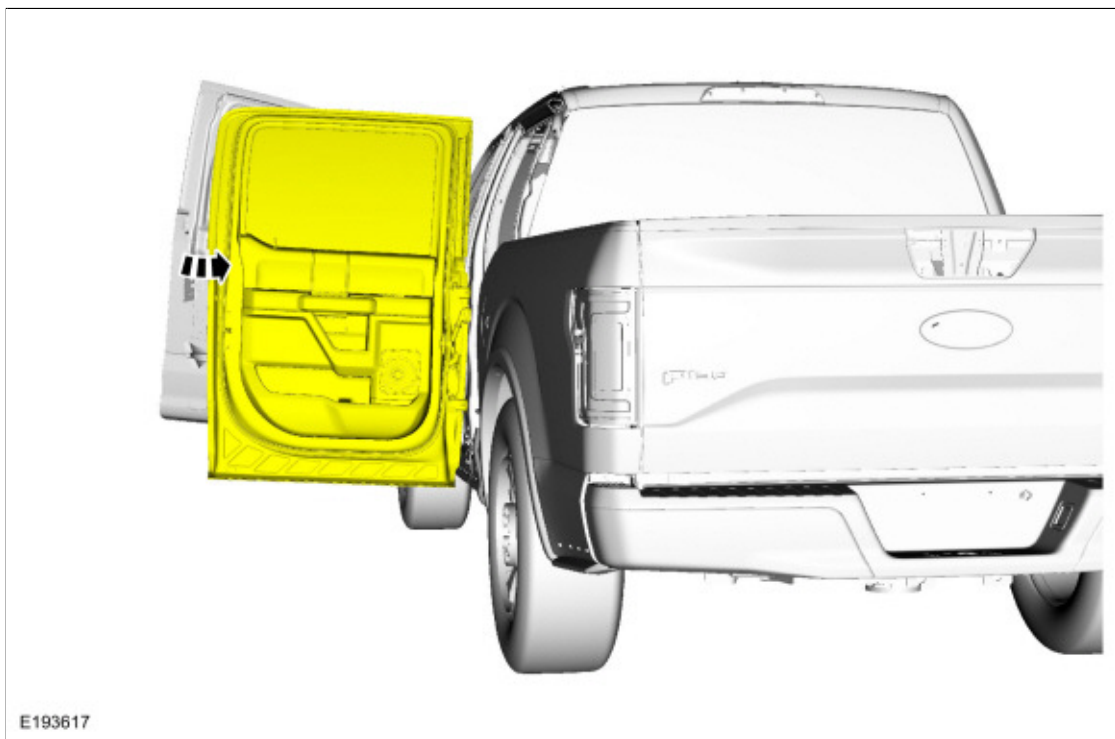


12. Loosen the bolt to permit movement of the door.

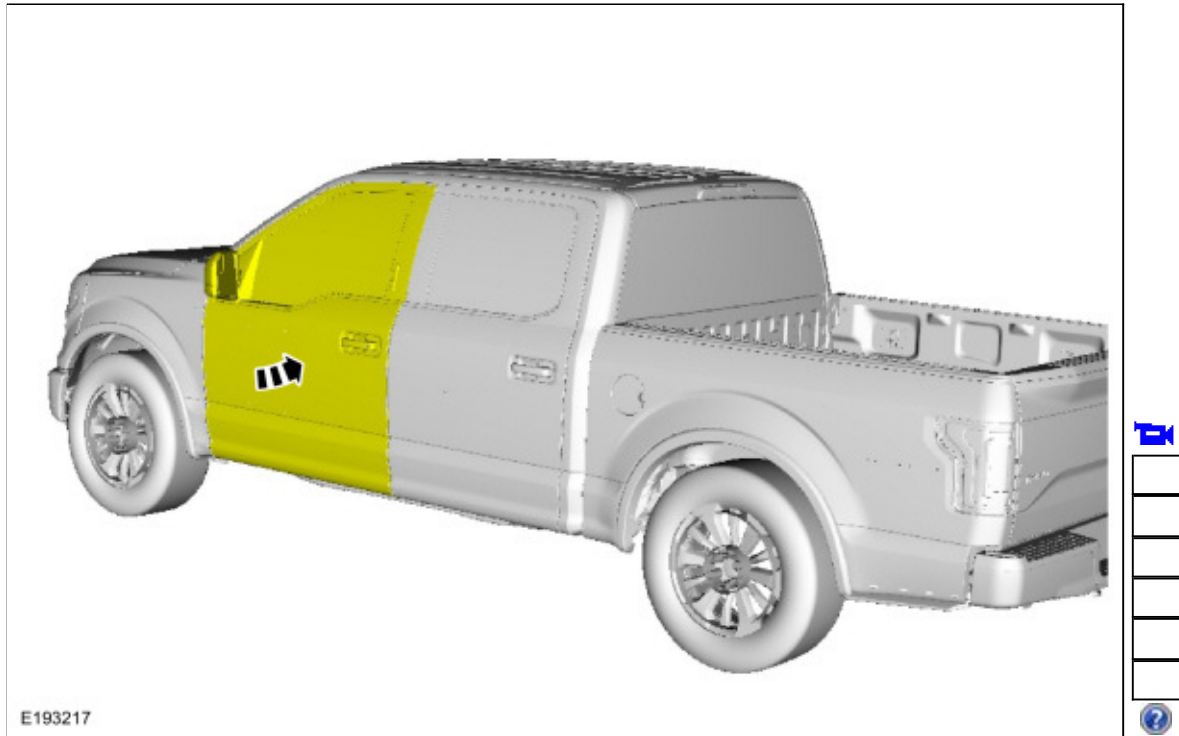
Loosen:
: 2 turn(s)



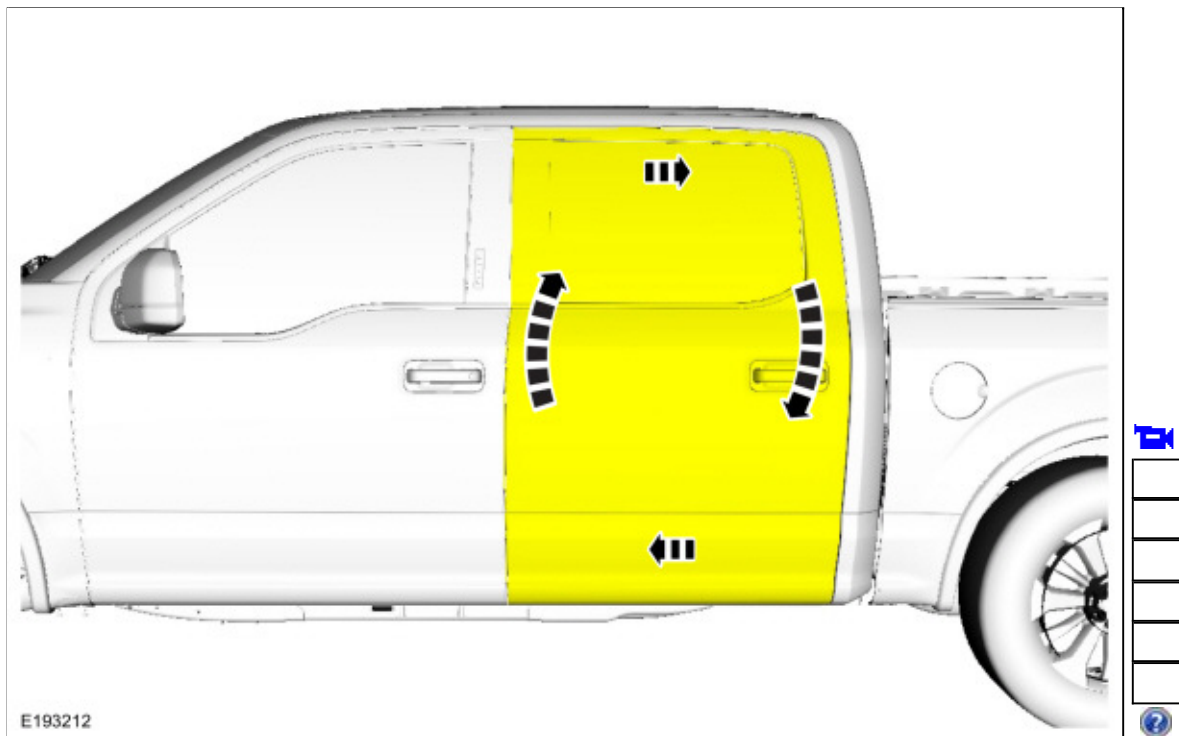
13. Carefully close the rear door.



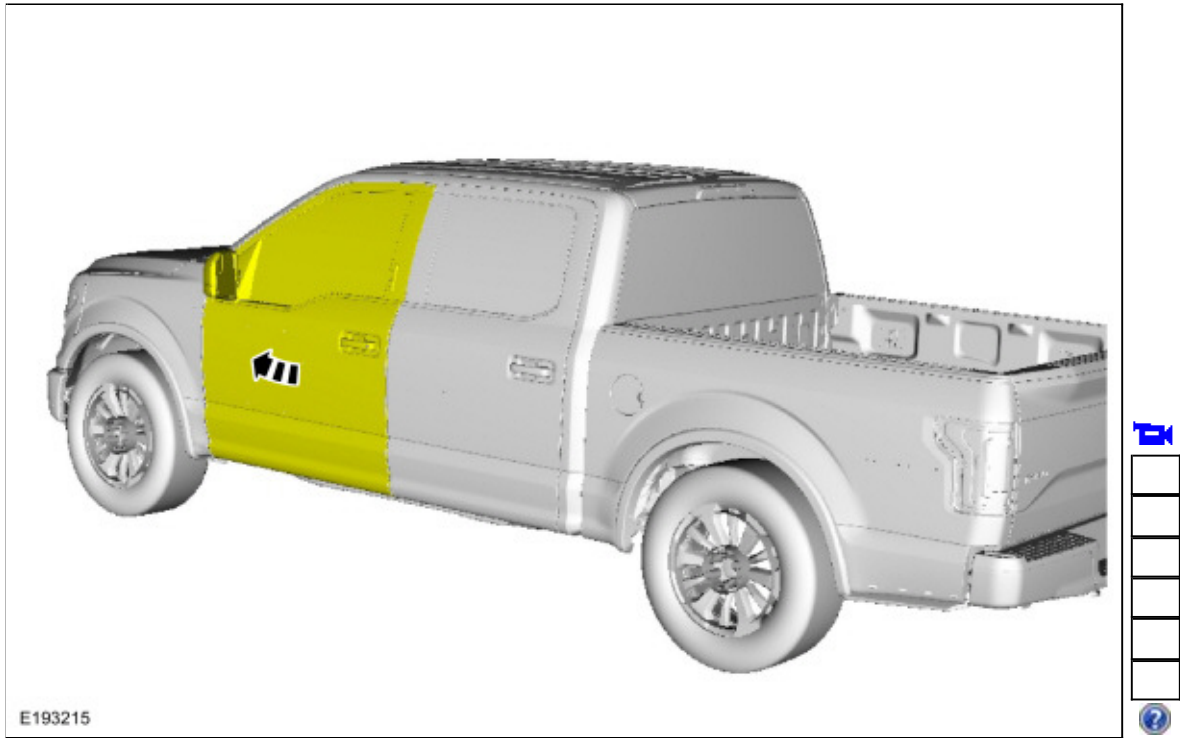
14. Carefully close the front door.



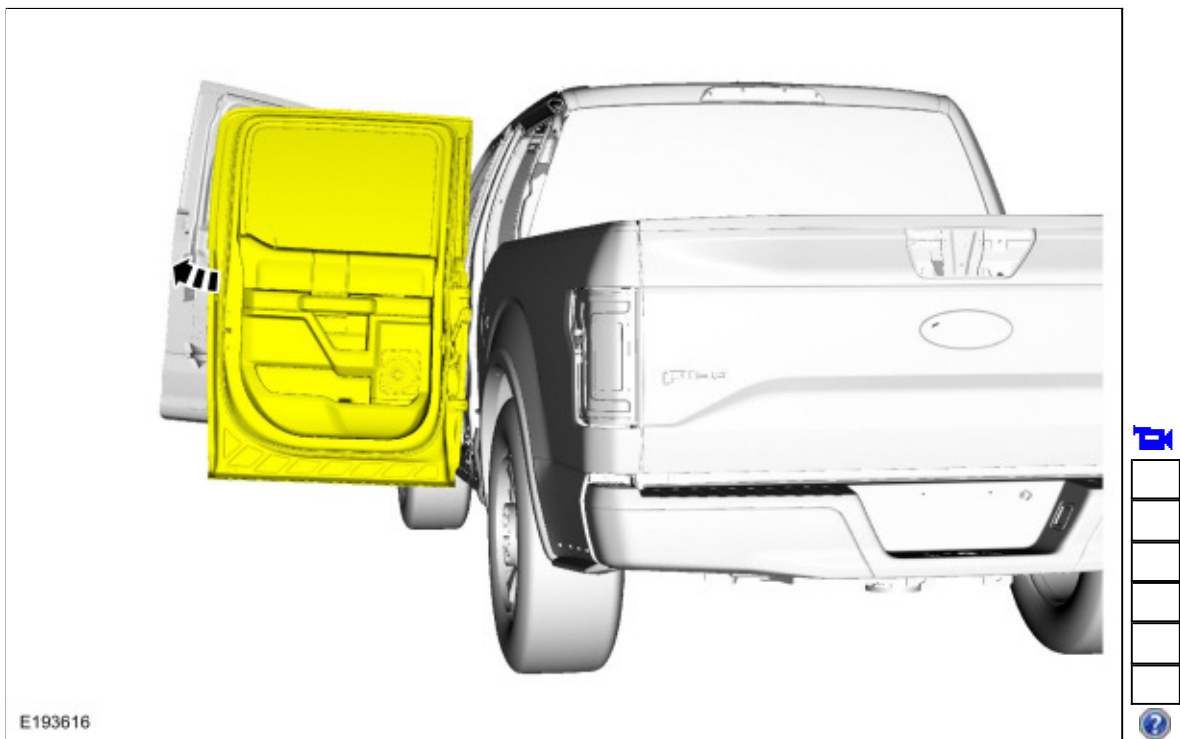
- Adjust the door to specification.
Refer to: [Body and Frame](#) (501-26 Body Repairs - Vehicle Specific Information and Tolerance Checks, Description and Operation).



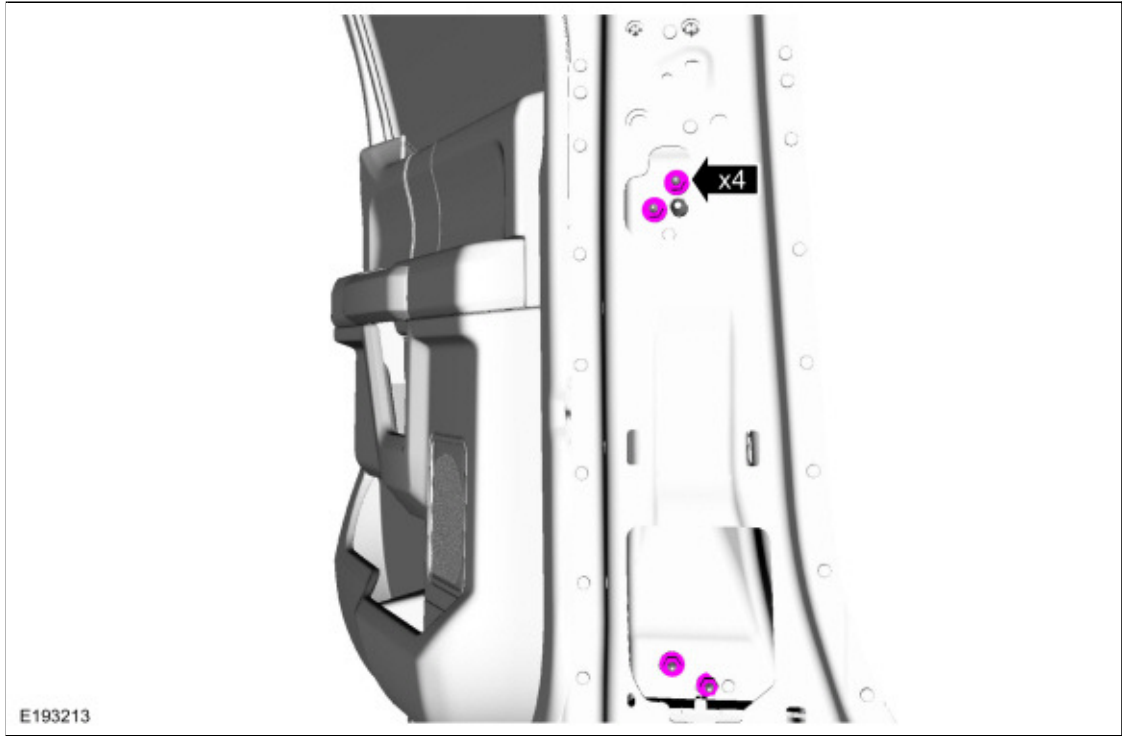
- Carefully open the front door.



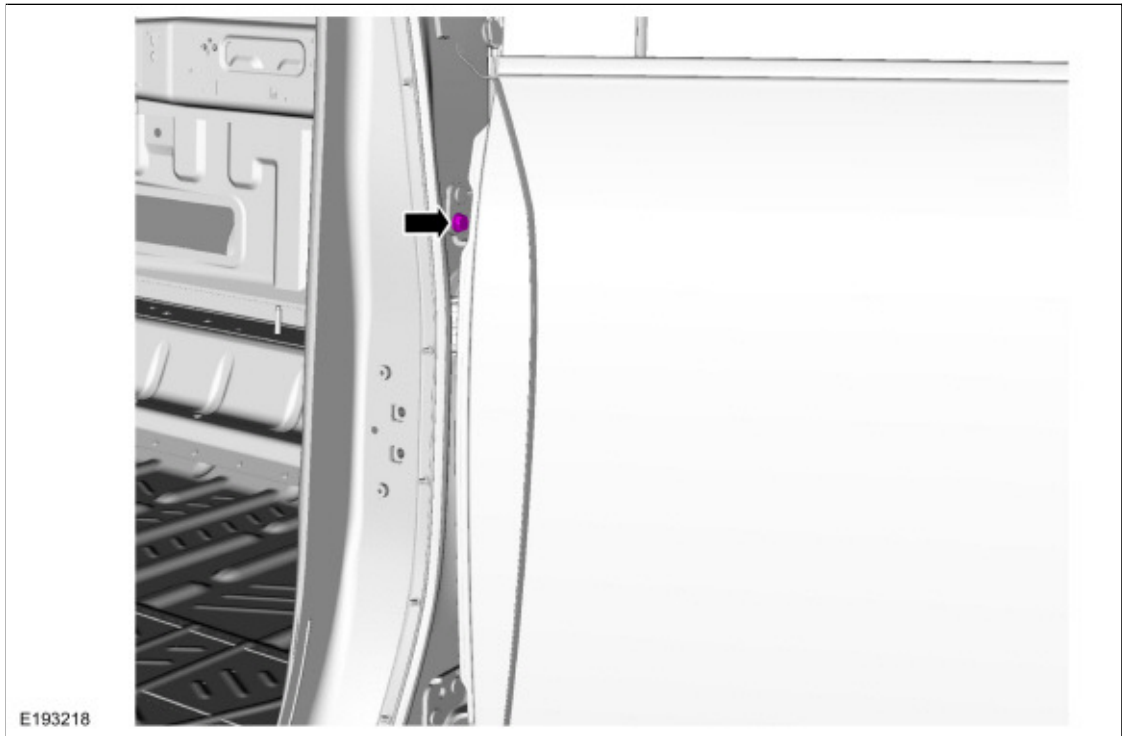
17. Carefully open the rear door.



18. Tighten the nuts.
Torque: 22 lb.ft (30 Nm)



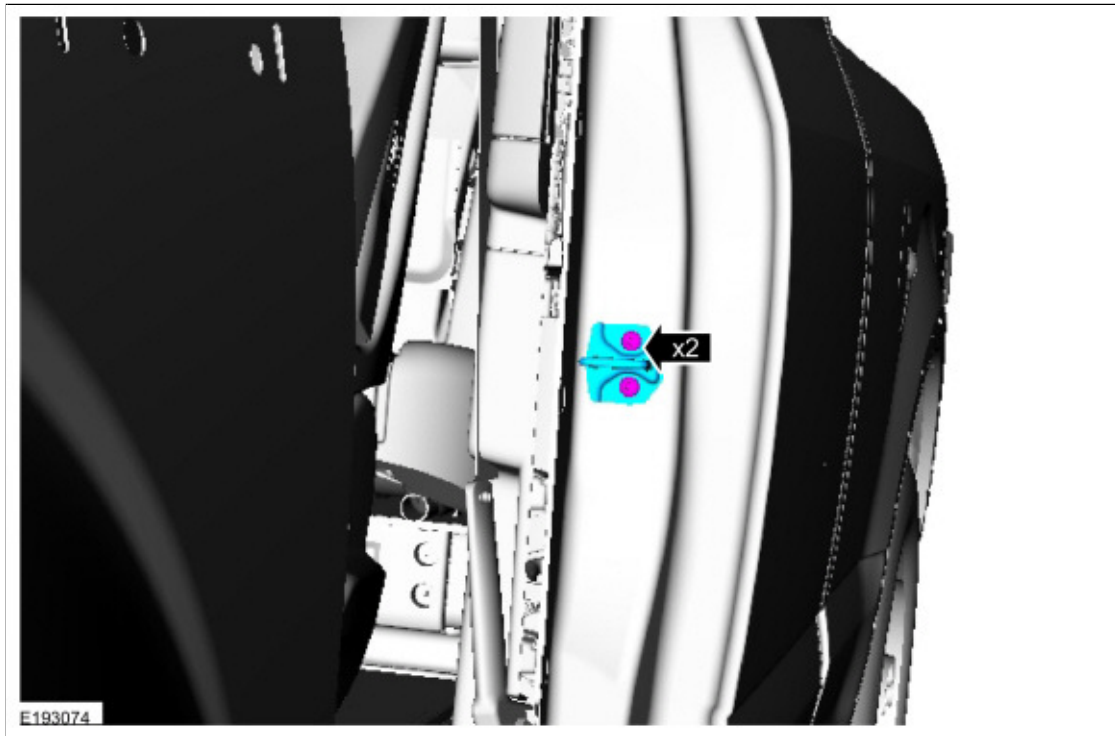
19. Tighten the bolt.
Torque: 89 lb.in (10 Nm)



All alignments

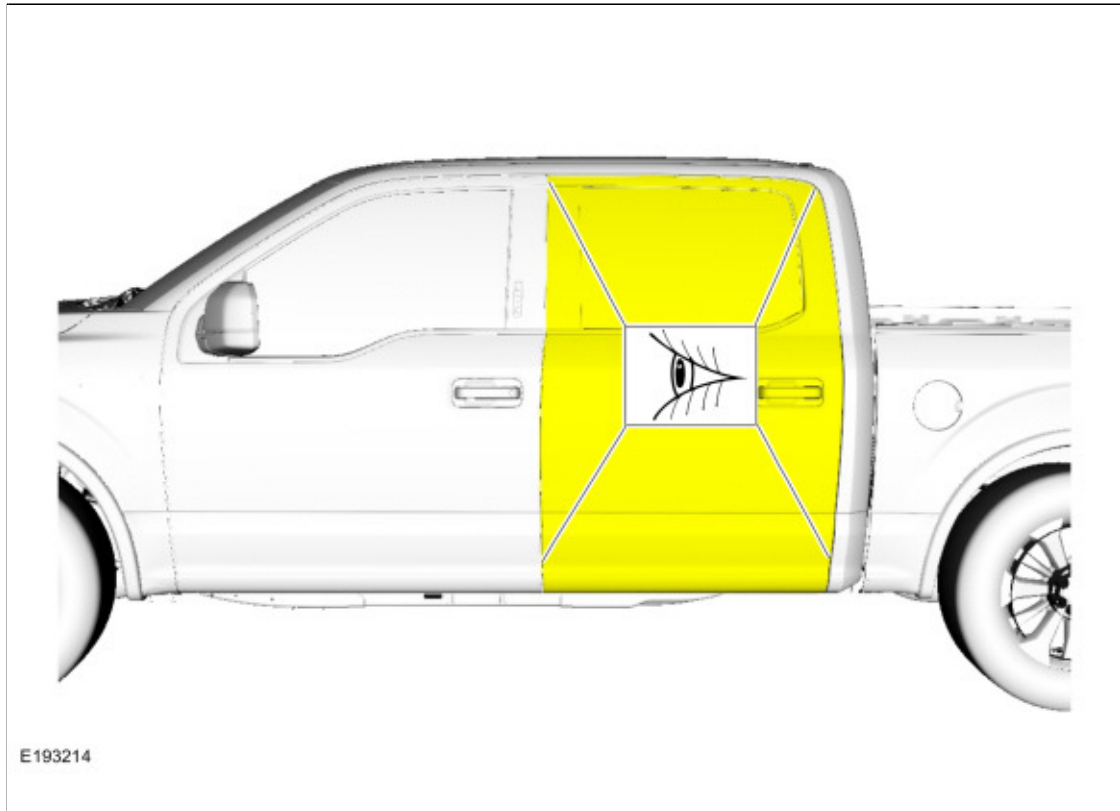
20. Install the striker assembly.

Torque: 18 lb.ft (25 Nm)



- 21. Inspect the body-to-rear door dimensions.
Refer to: [Body and Frame](#) (501-26 Body Repairs - Vehicle Specific Information and Tolerance Checks, Description and Operation).





22. Install the removed components.

- During installation, make sure the safety belt webbing is not twisted and the safety belts and buckles are accessible to the occupants.

Copyright © 2017 Ford Motor Company

