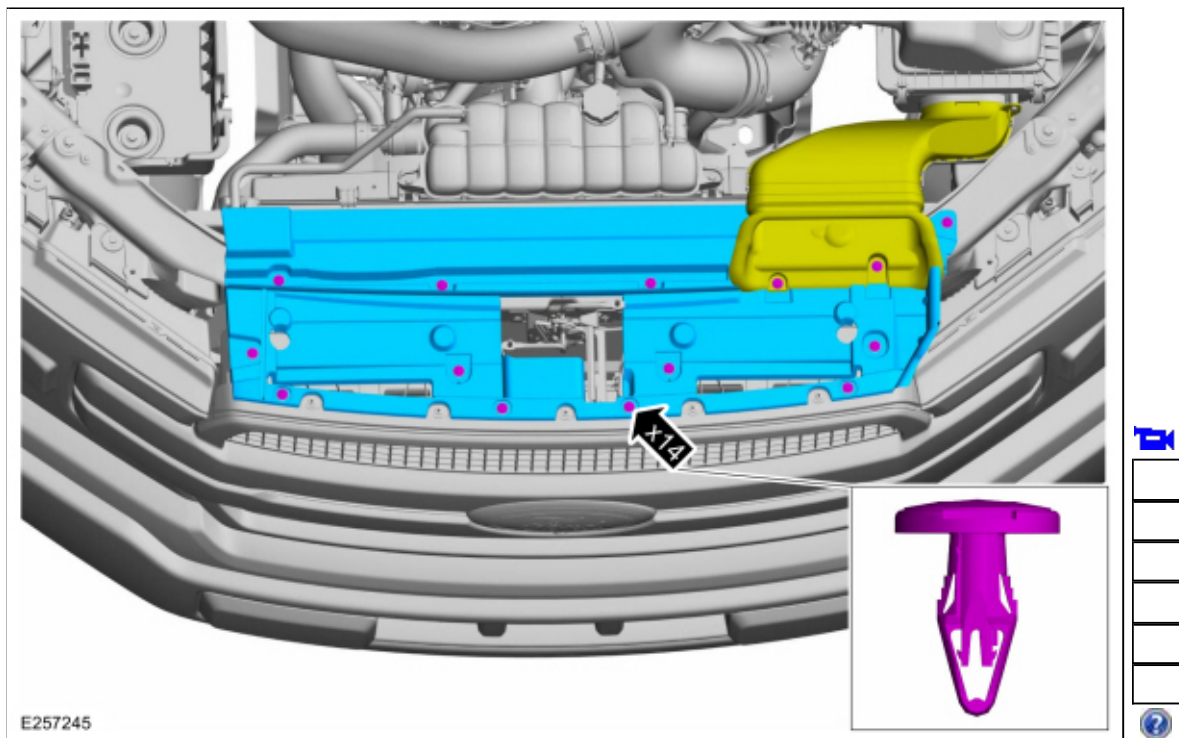


Radiator Grille

Removal

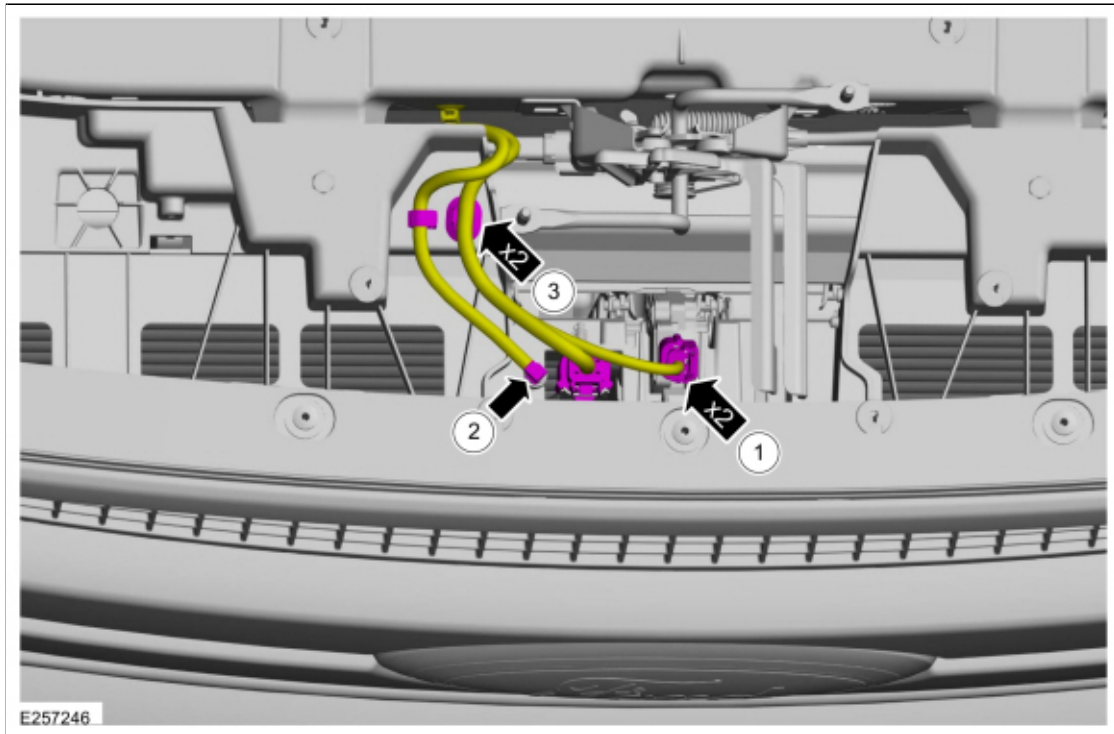
NOTE: Removal steps in this procedure may contain installation details.

1. Remove the push pin retainers, position aside the air intake duct, and remove the air deflector.



2. **NOTE:** As equipped.

Disconnect the electrical connectors and washer hose.

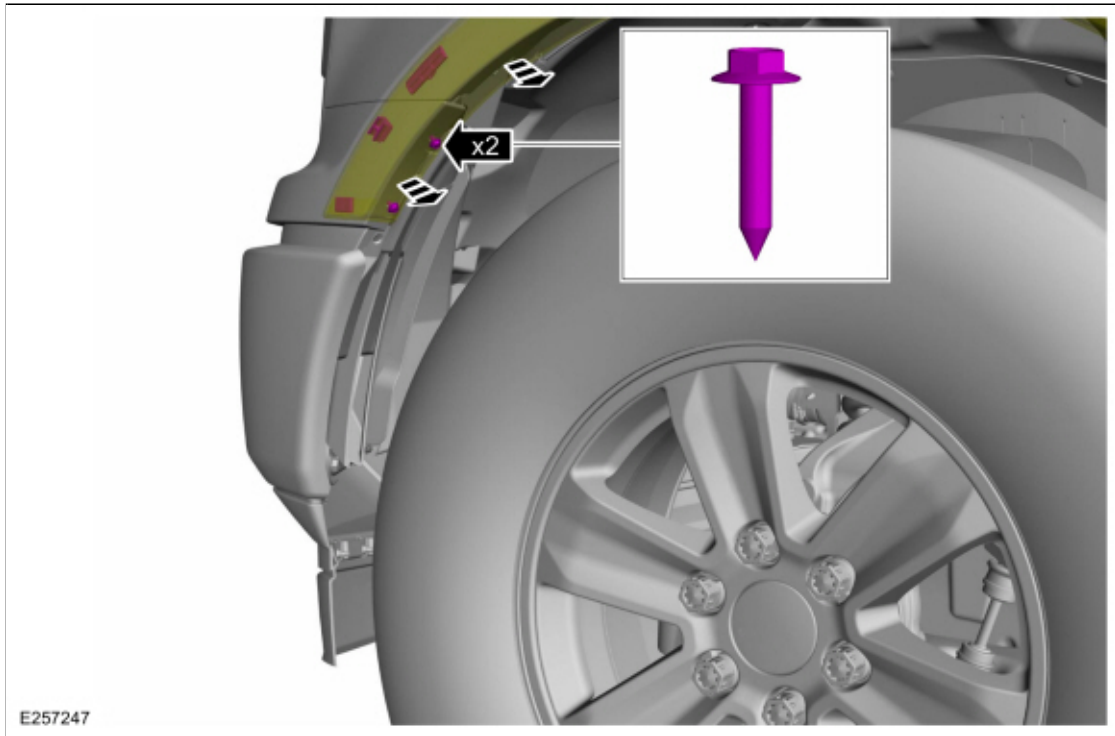


3. Raise the vehicle on a hoist.
Refer to: [Jacking and Lifting - Overview](#) (100-02 Jacking and Lifting, Description and Operation).
4. **NOTE:** *Vehicles equipped with fender mouldings.*
On both sides.

Remove the 2 screws and release the 3 front fender moulding retainers and position the fender moulding out.

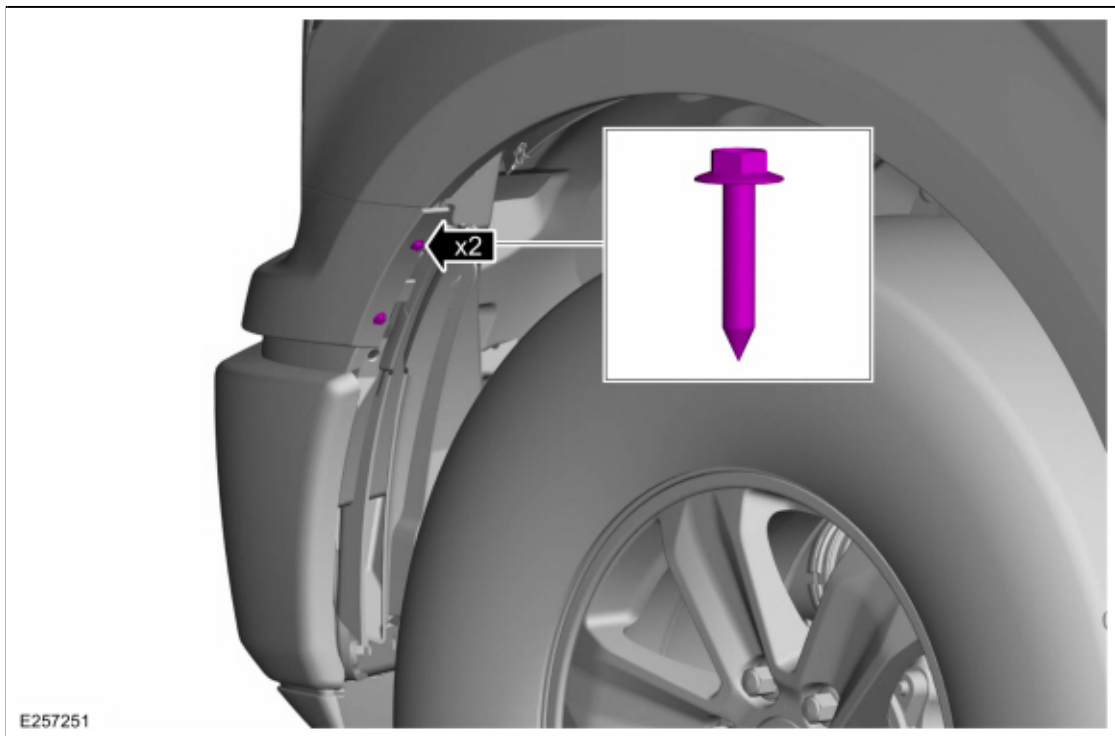
Torque: 22 lb.in (2.5 Nm)





5. **NOTE:** *On both sides*

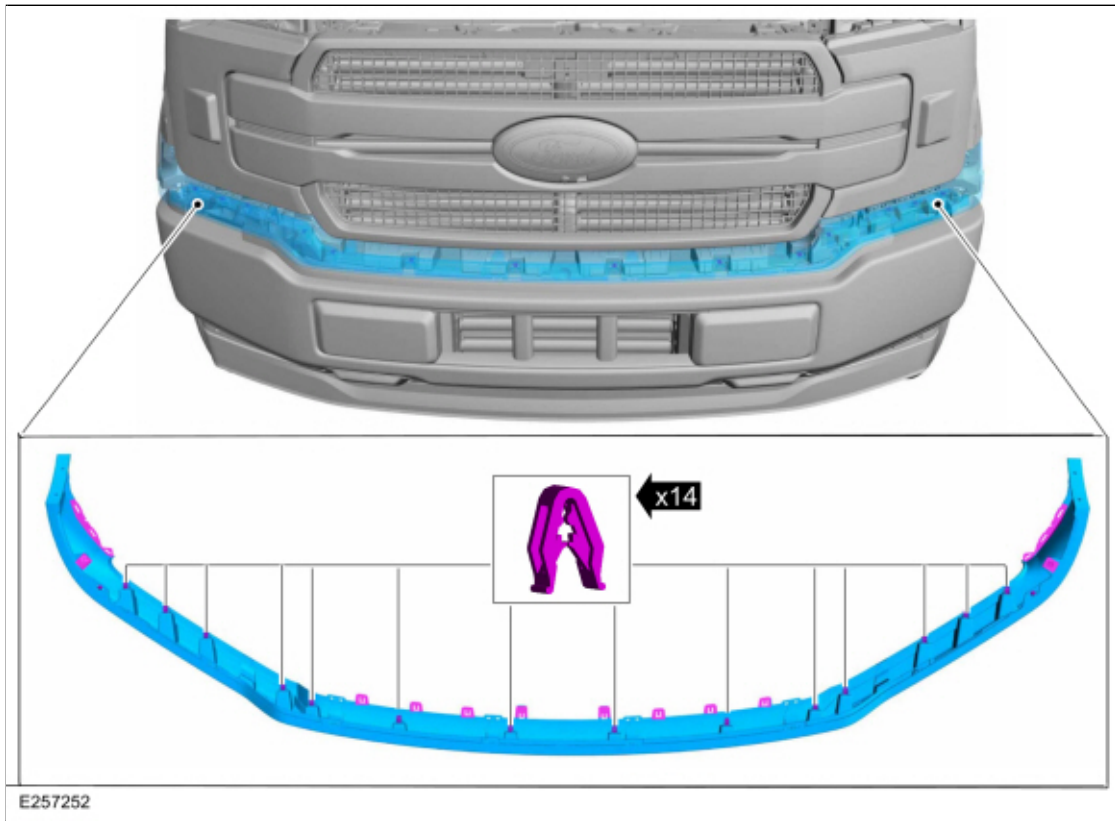
Remove the front bumper upper cover trim panel bolts.
Torque: 22 lb.in (2.5 Nm)



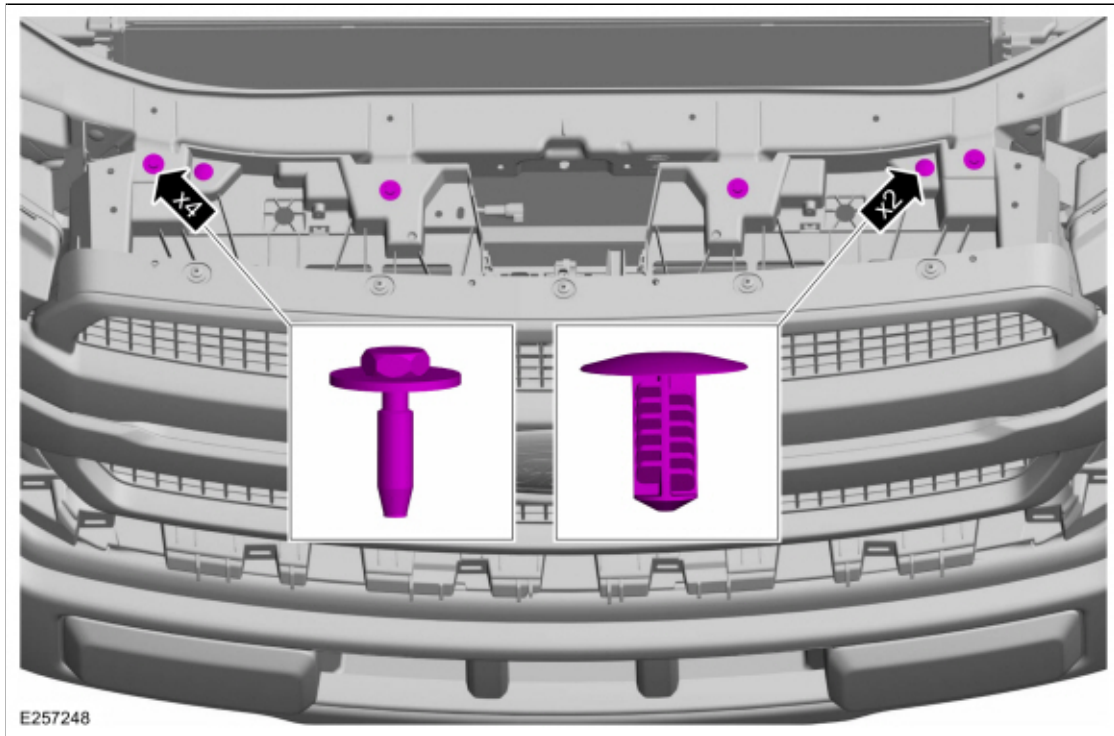
6.

Remove the front bumper upper cover trim panel.

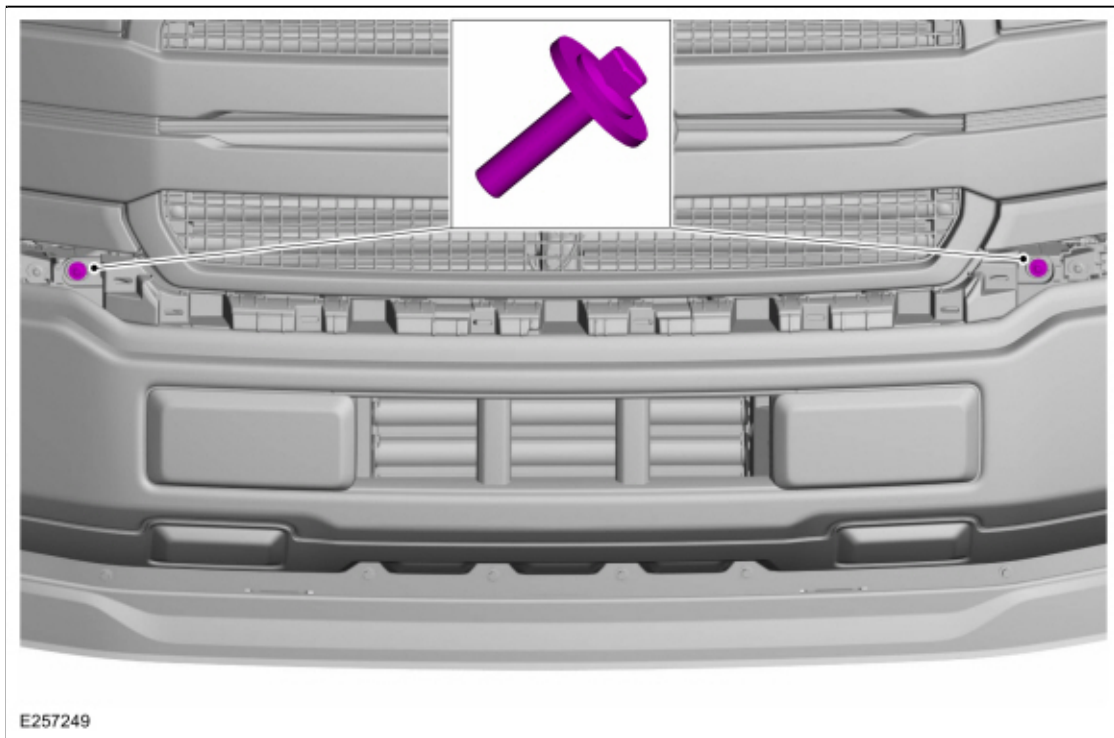
- Using a flat-blade screwdriver release the locking tabs
- Release the front bumper upper cover trim panel clips and remove the front bumper upper cover trim panel.



7. Remove the bolts and the pin-type retainer.
Torque: 28 lb.in (3.2 Nm)

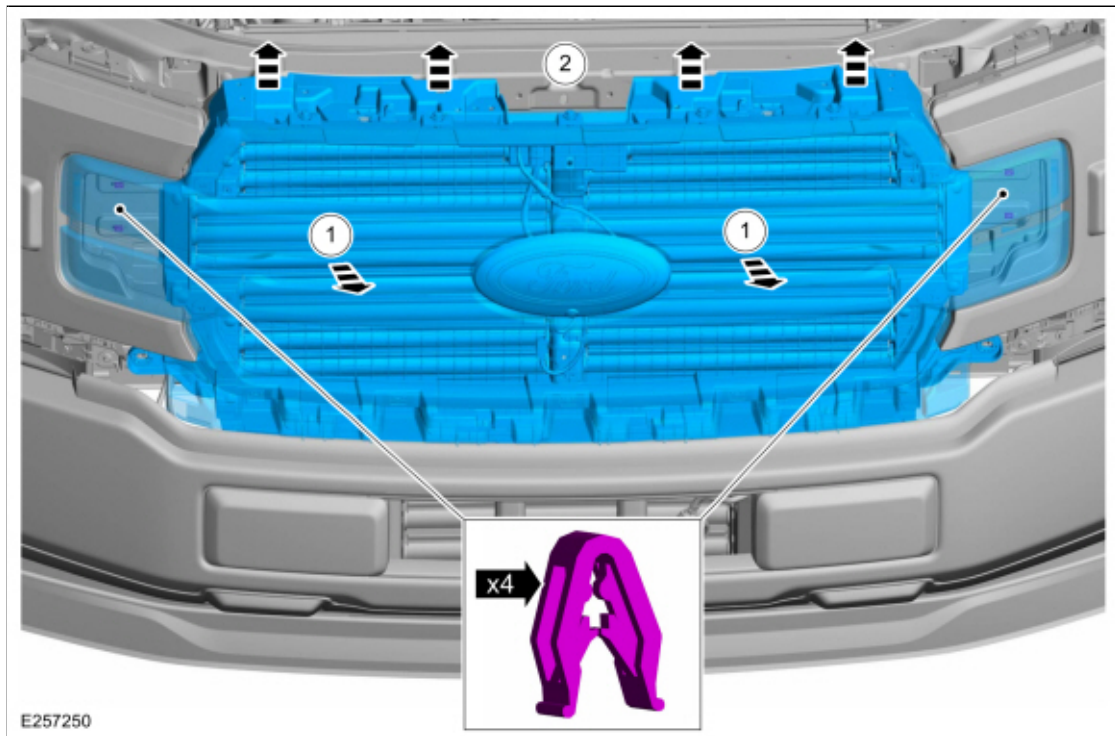


8. Remove the active grille shutter mounting bolts.
Torque: 159 lb.in (18 Nm)



- 9.
- Remove the pin-type retainer.
 - Pull up to disengage the locating pins along the top of the grille.

- Pull forward on center of the grill to remove.



Installation

1. To install, reverse the removal procedure.
2. If the radiator grille is being replaced, Transfer parts as required.
Refer to: [Active Grille Shutter](#) (501-02 Front End Body Panels, Removal and Installation).
3. If installing a new front parking aid camera.
It is necessary to configure the new camera.
Refer to: [Front Parking Aid Camera](#) (413-13B Parking Aid - Vehicles With: Parking Aid Camera, Removal and Installation).

Copyright © 2017 Ford Motor Company

