

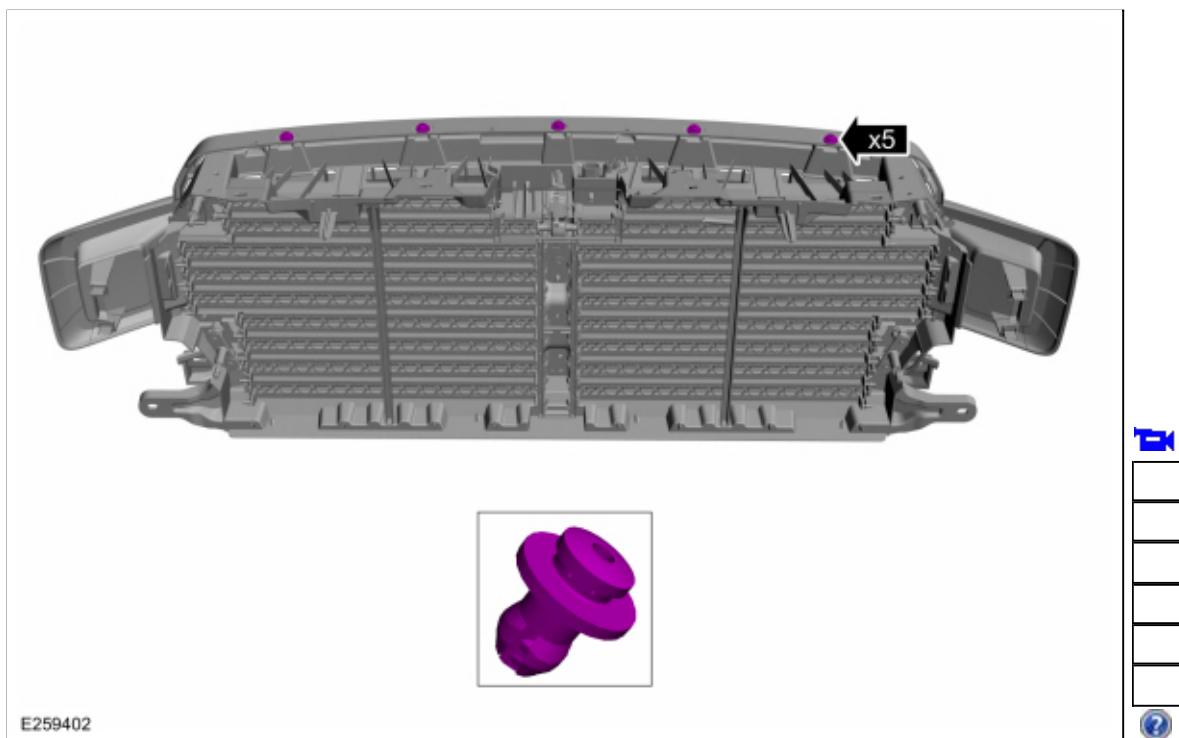
Active Grille Shutter

Removal

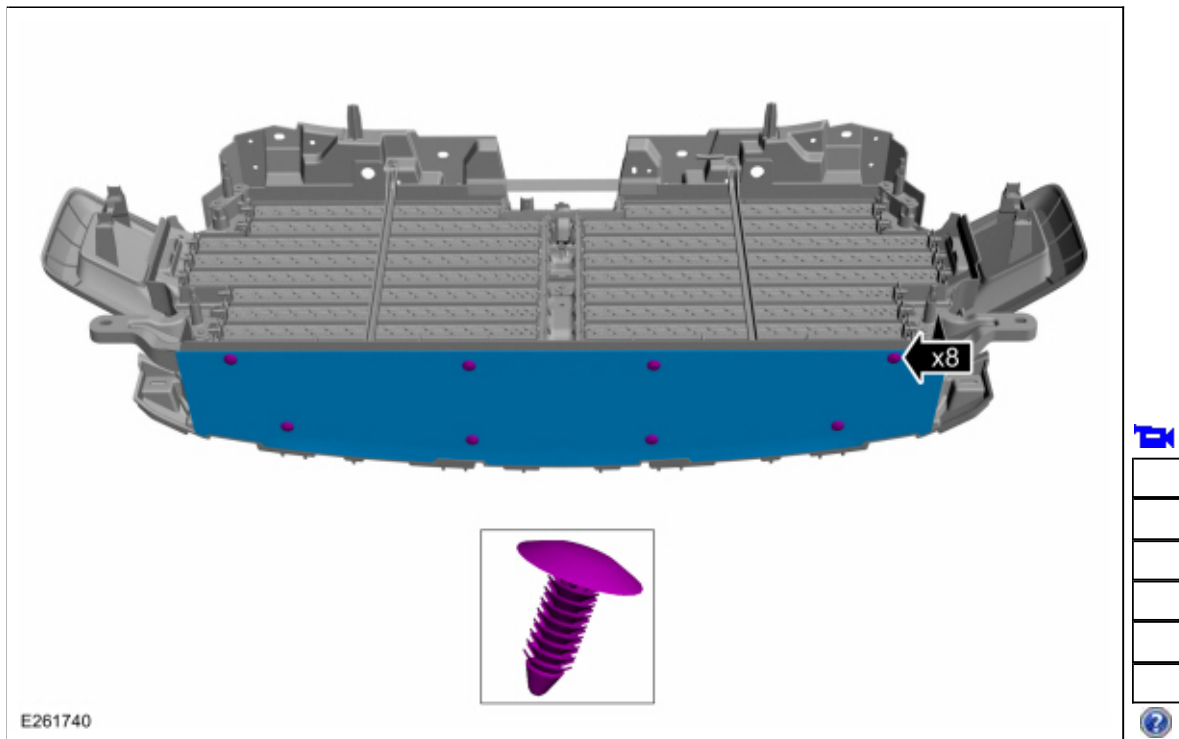
NOTE: Removal steps in this procedure may contain installation details.

Upper active grille shutter

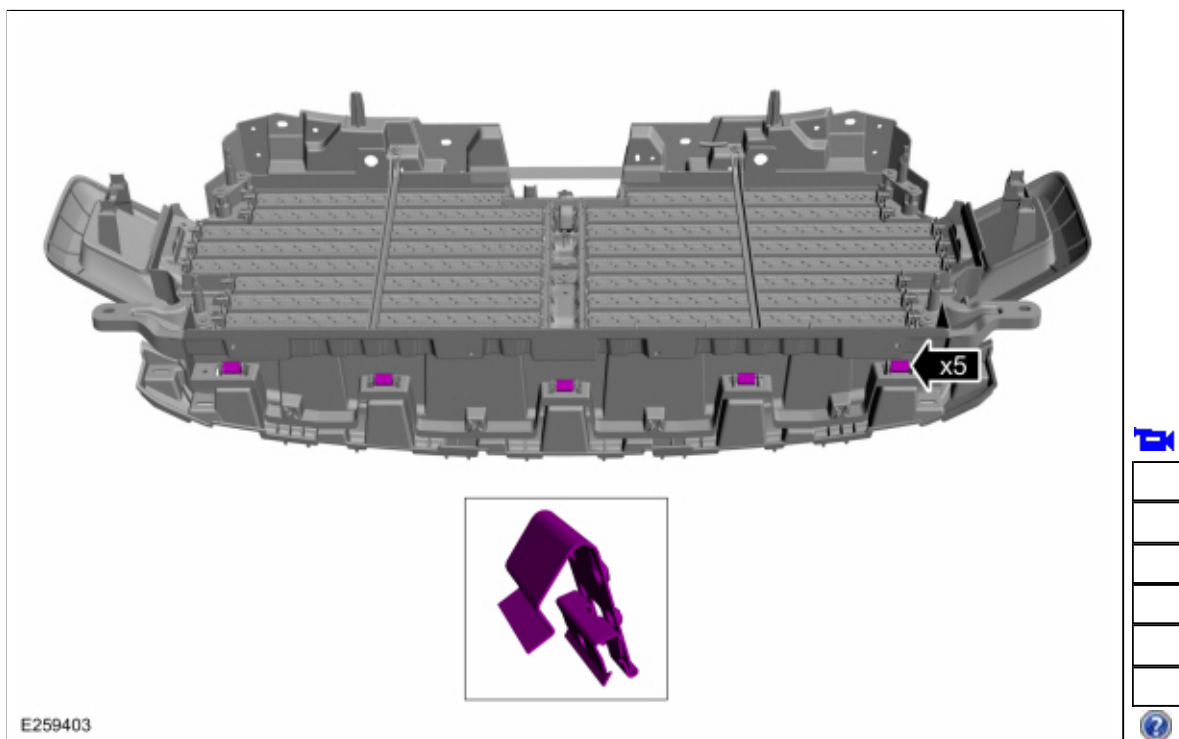
1. Remove the radiator grille.
Refer to: [Radiator Grille](#) (501-08 Exterior Trim and Ornamentation, Removal and Installation).
2. Remove the push pins.



3. Remove the retainers and the deflector.



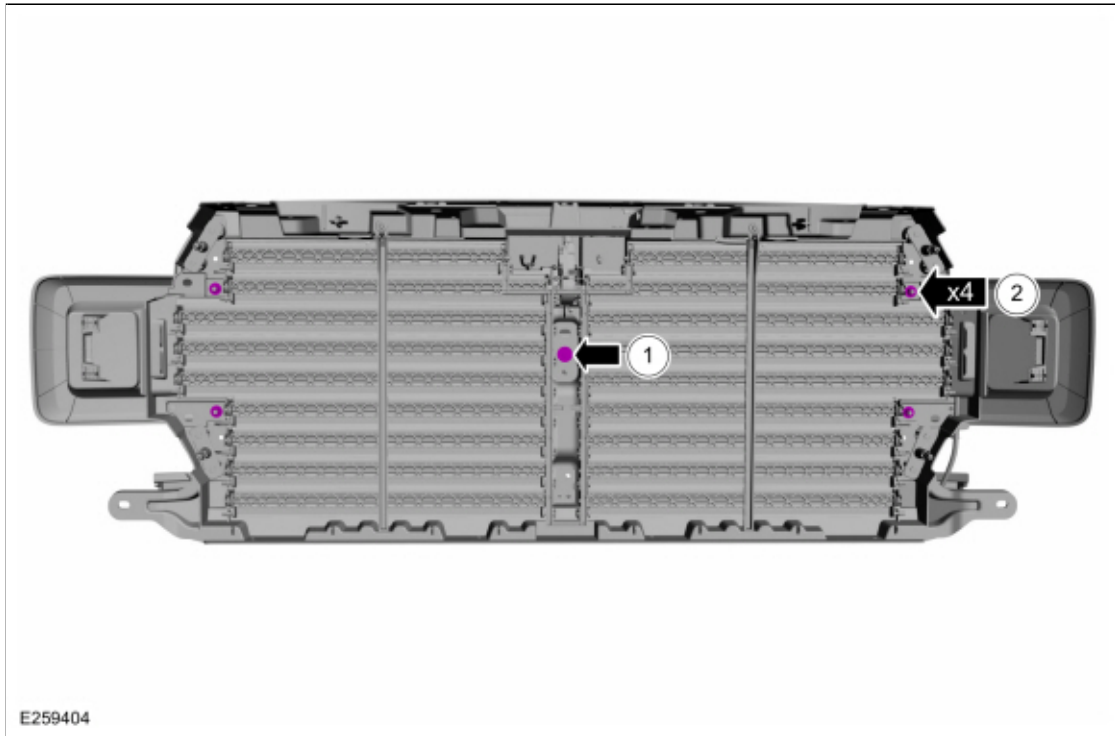
4. Remove the clips.



5. Remove the screw and the nuts.

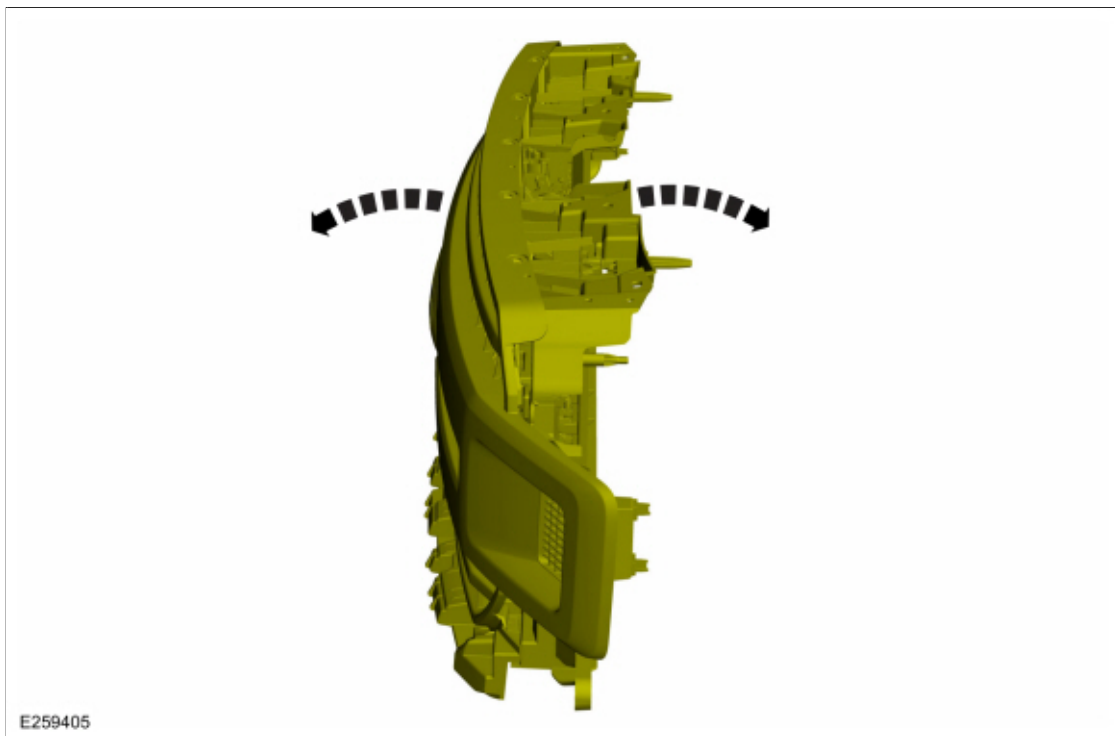
Torque:

- 1: 22 lb.in (2.5 Nm)
- 2: 44 lb.in (5 Nm)

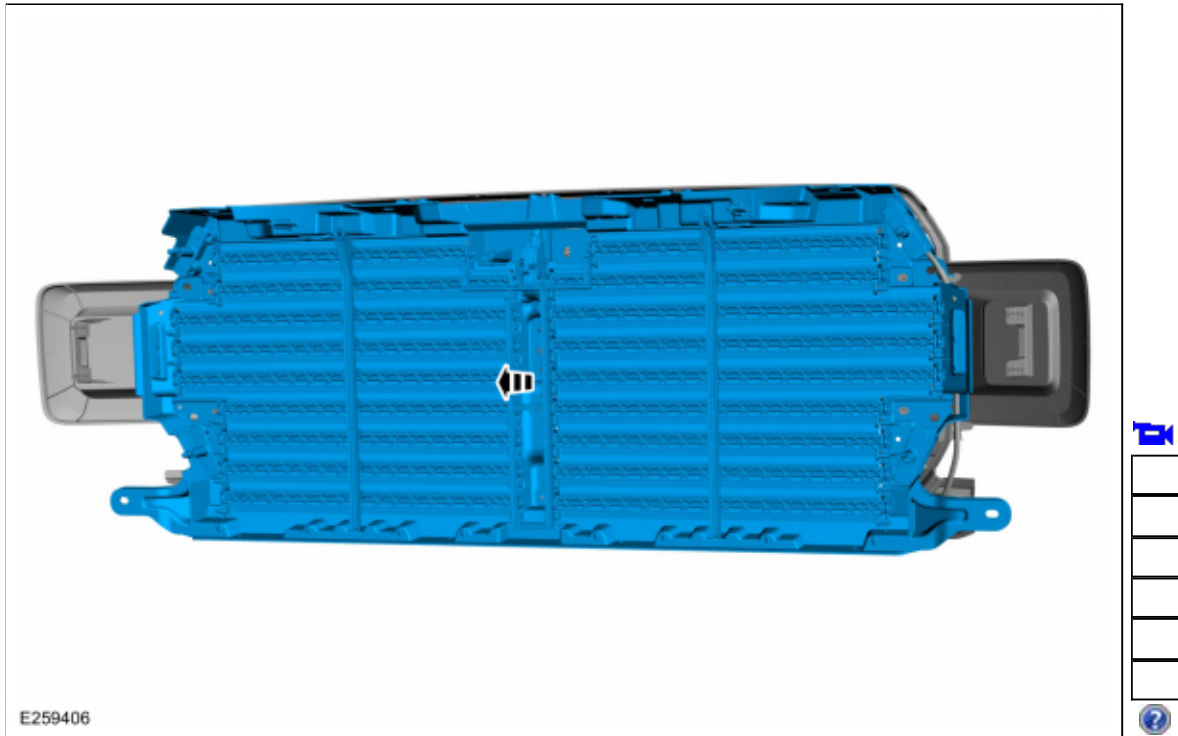


6. **NOTE:** *If equipped with front camera, disconnect the camera and the washer hose.*

Separate the active grille shutter from the radiator grille.

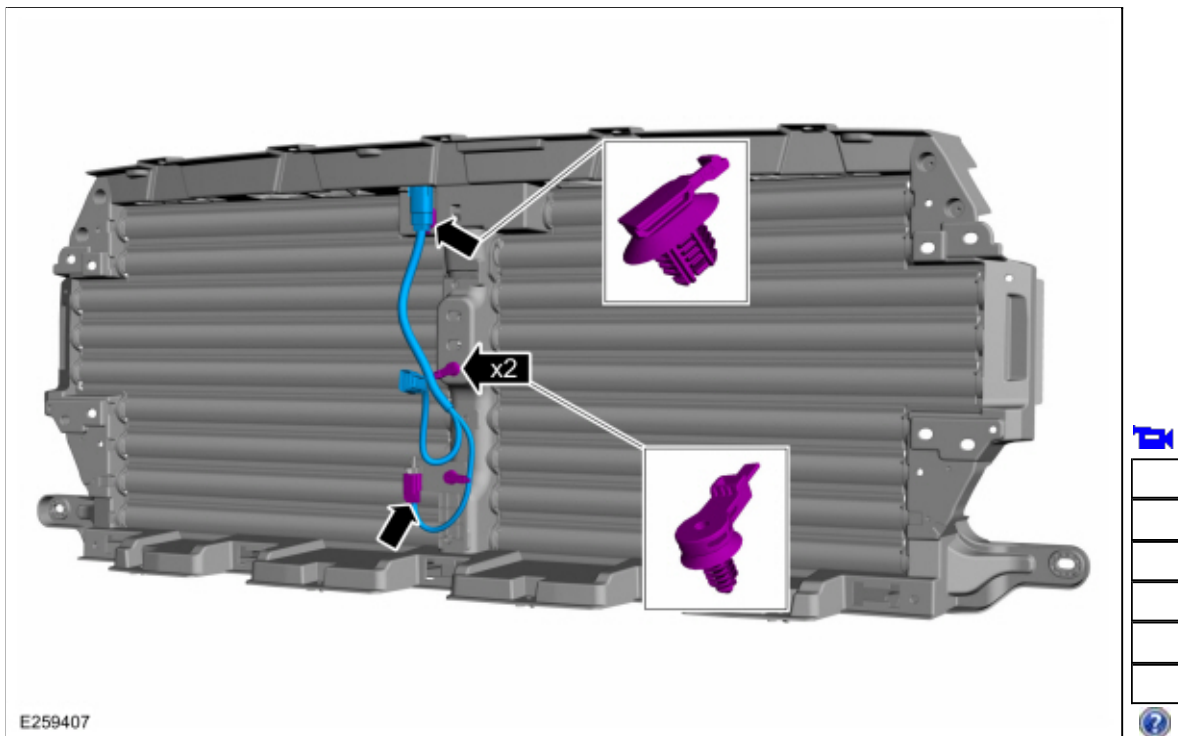


7. Remove the upper active grille shutter.

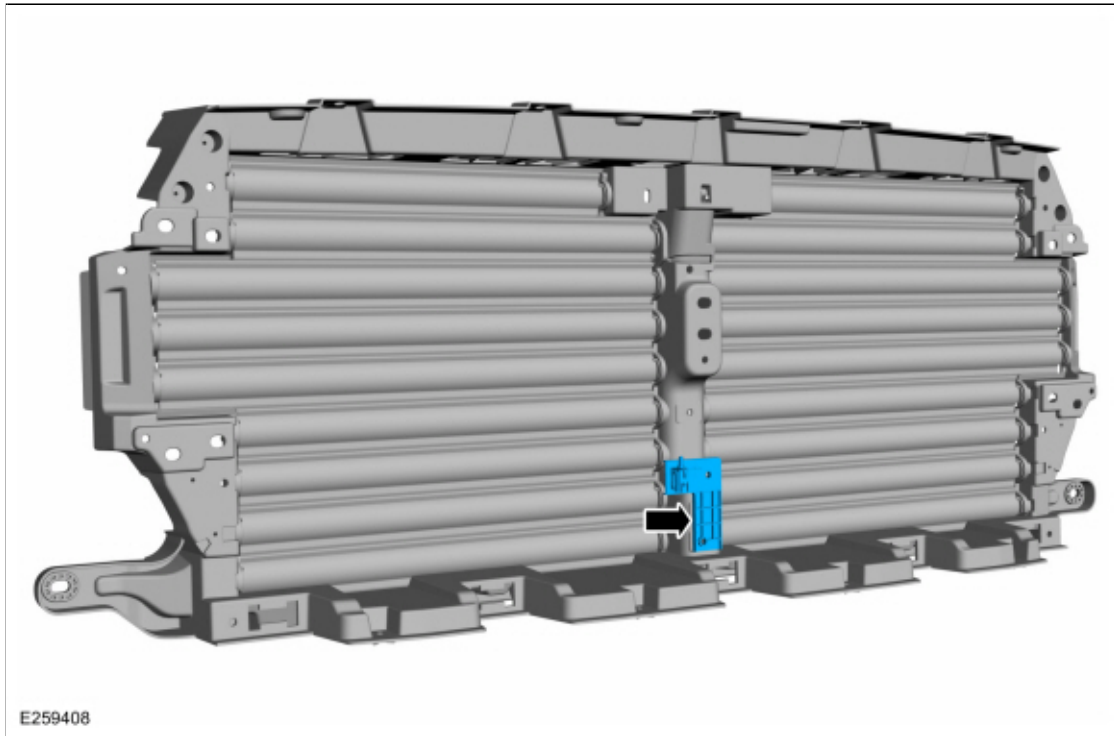


8. **NOTE:** If equipped with front camera, remove the wire harness and the washer hose.

Disconnect the electrical connector, remove the pin-type retainers and the wire harness.

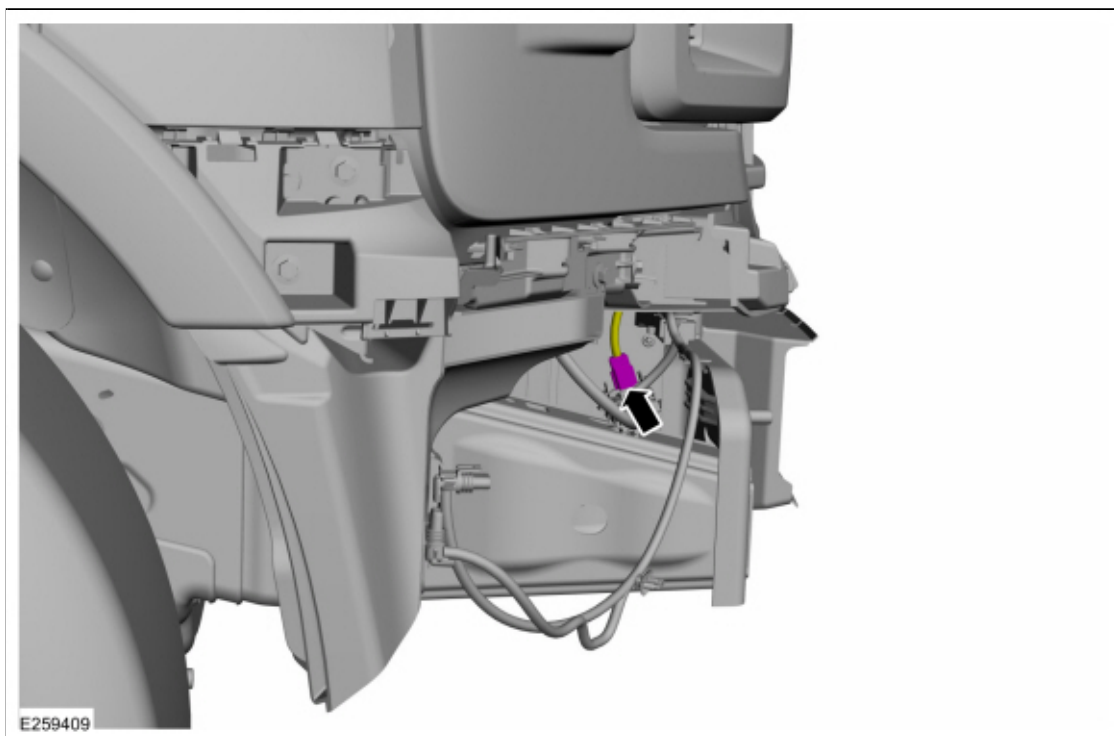


9. Remove the ambient air temperature sensor and bracket.

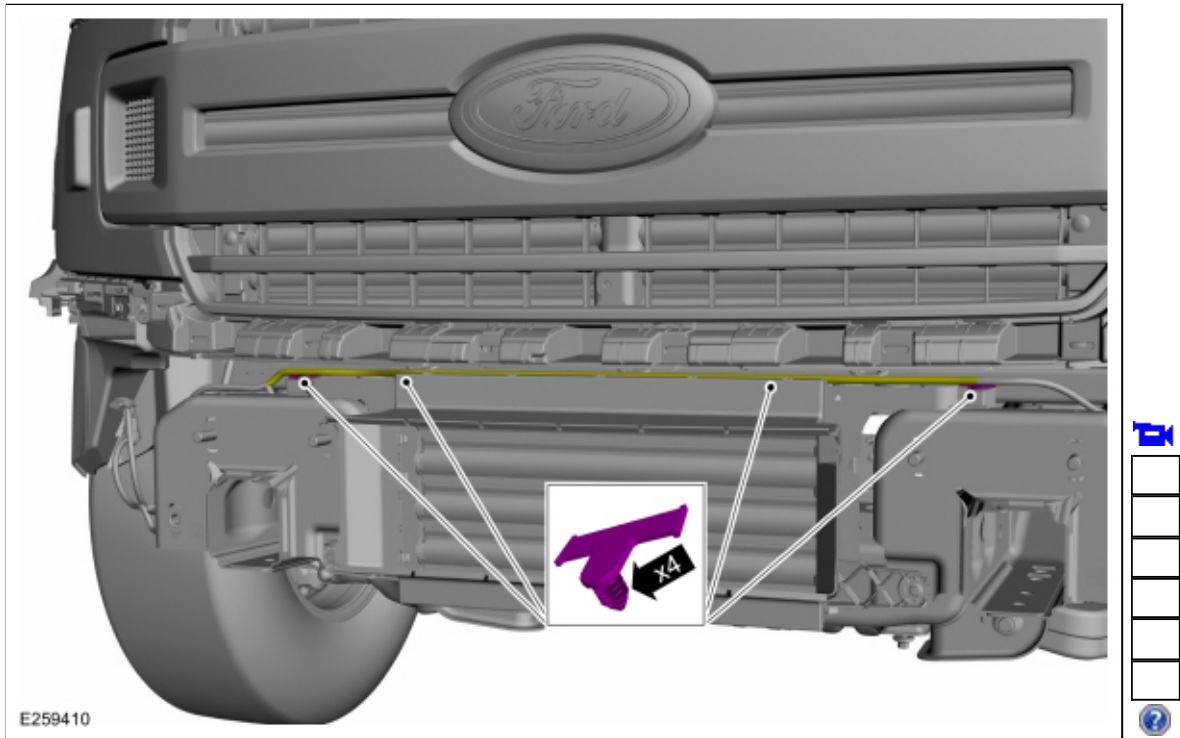


Lower active grille shutter

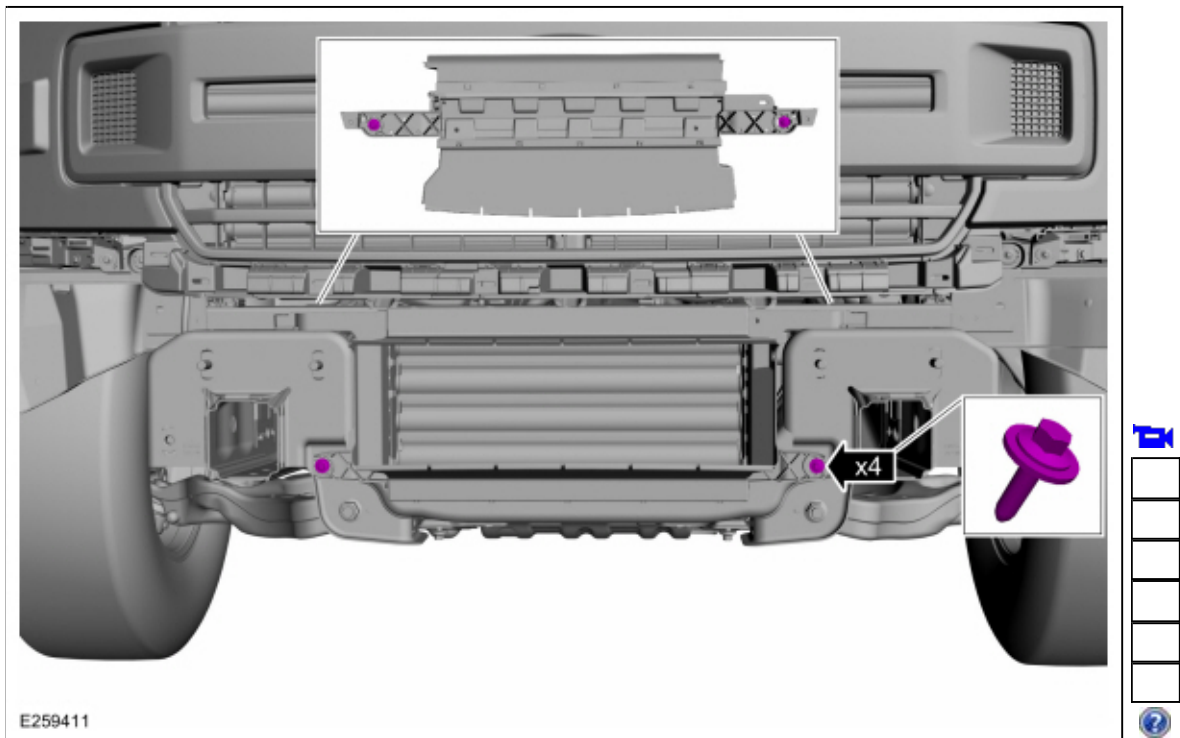
10. Remove the front bumper.
Refer to: [Front Bumper](#) (501-19 Bumpers, Removal and Installation).
11. Disconnect the active grille actuator electrical connector.



- 12. Remove the pin-type retainers and position aside the wire harness.



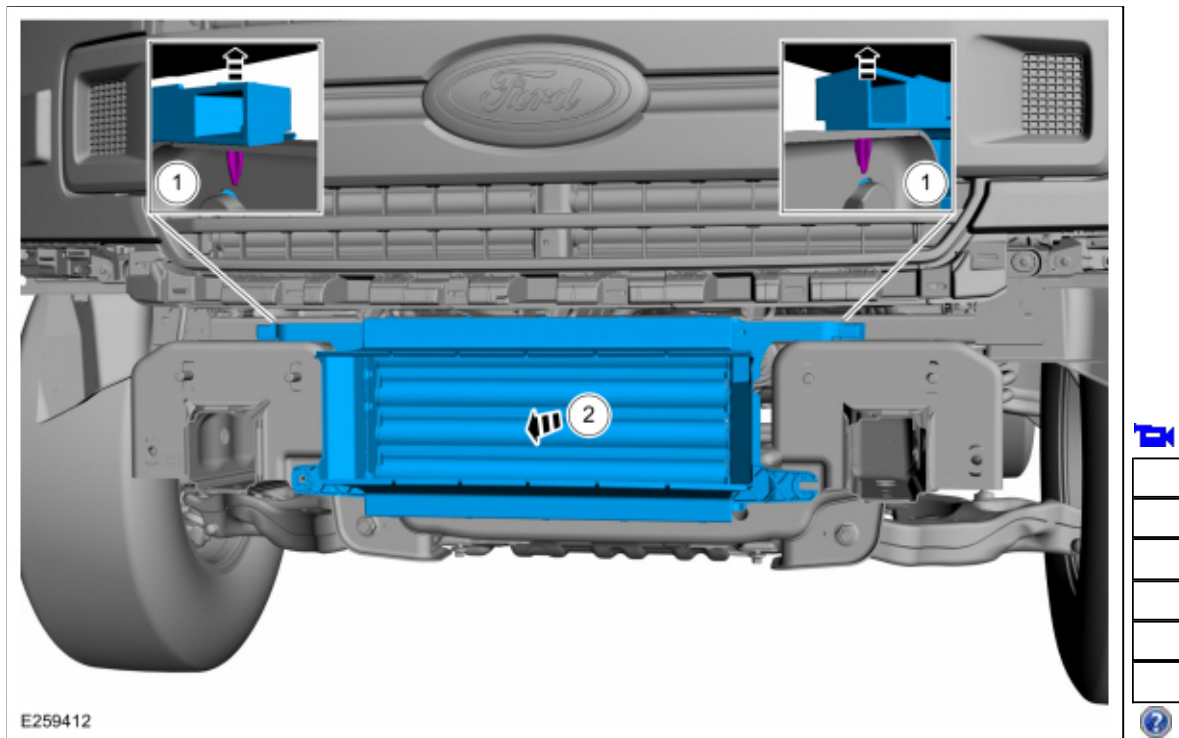
- 13. Remove the bolts.
Torque: 62 lb.in (7 Nm)



- 14.

Remove the lower active grille shutter.

1. Lift up the lower active grill shutter.
2. Pull out and remove the lower active grille shutter.



Installation

1. To install, reverse the removal procedure.

Copyright © 2017 Ford Motor Company

