



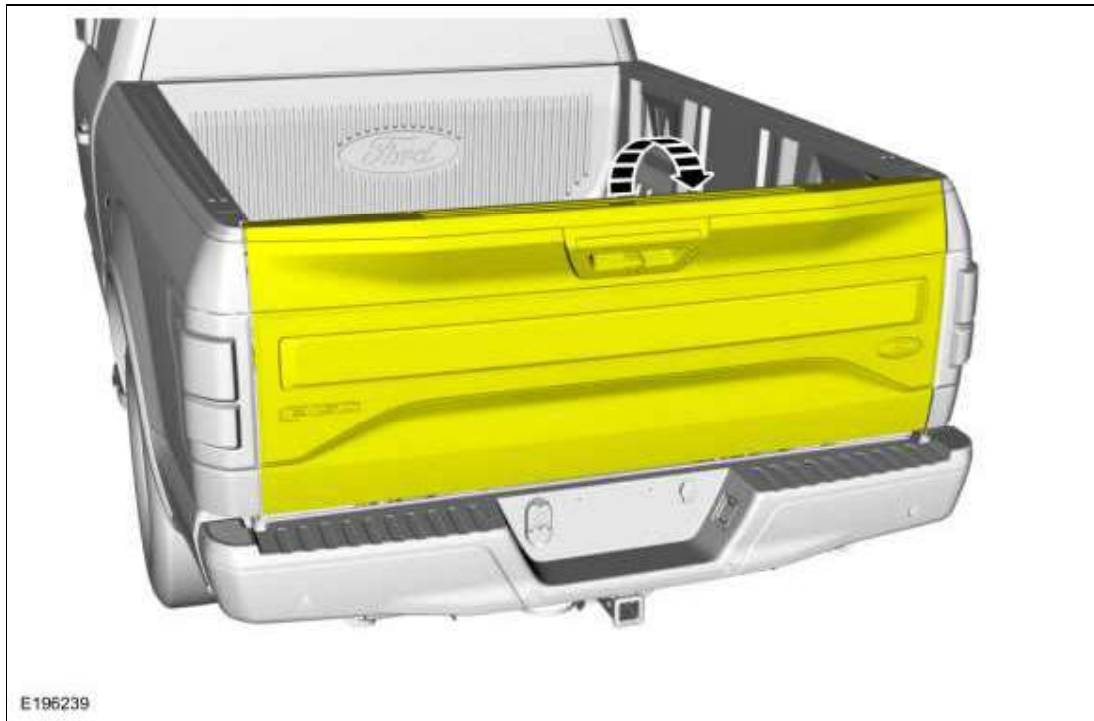
Tailgate Step Adjustment

Adjustment

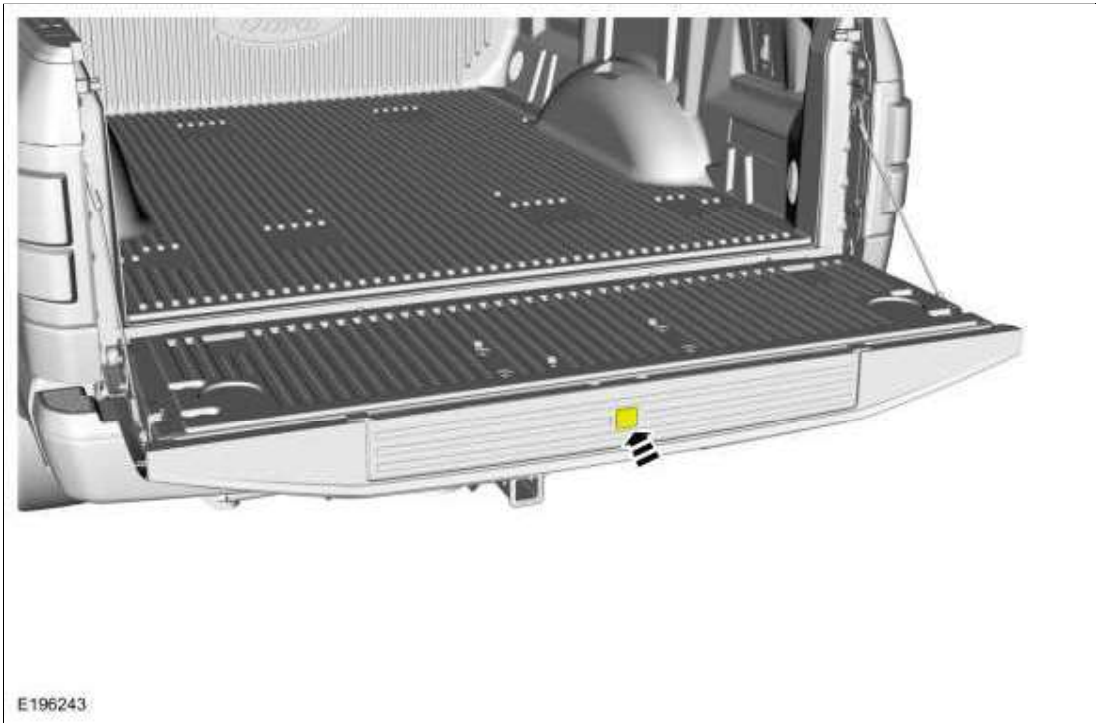
NOTE: This procedure adjusts the tailgate step and the tailgate latch striker. If the tail gate step operates properly, but the release or latch is in question, proceed to the Latch Striker Adjustment below.

NOTE: TAILGATE STEP ADJUSTMENT

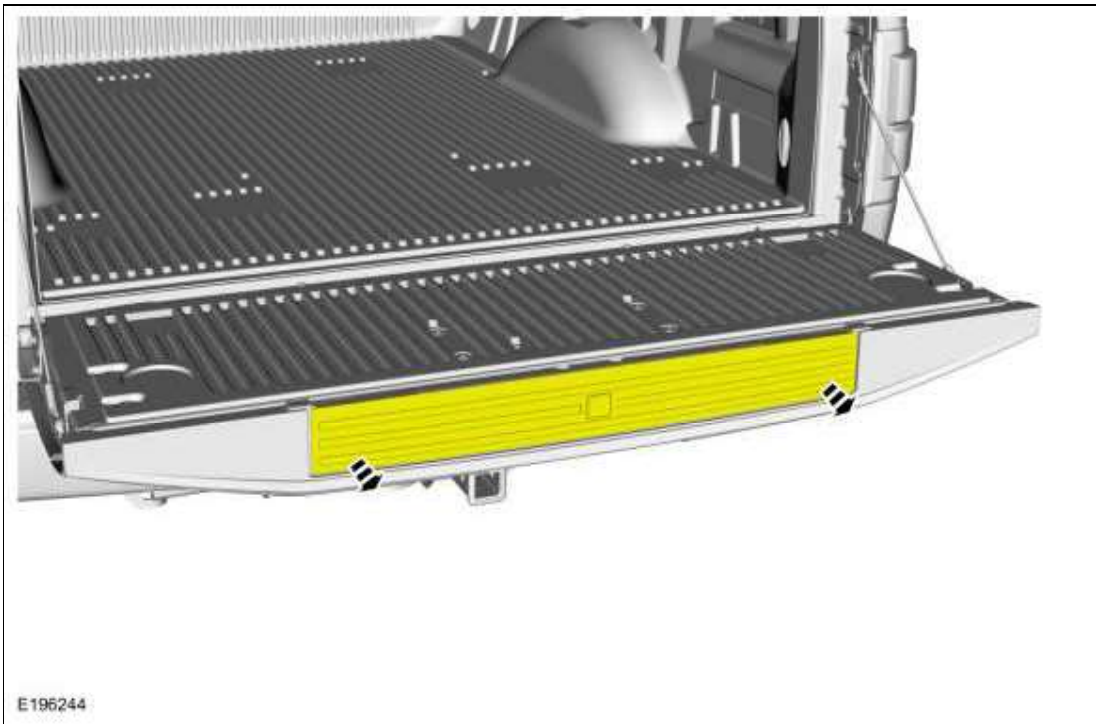
1. Lower the tailgate.



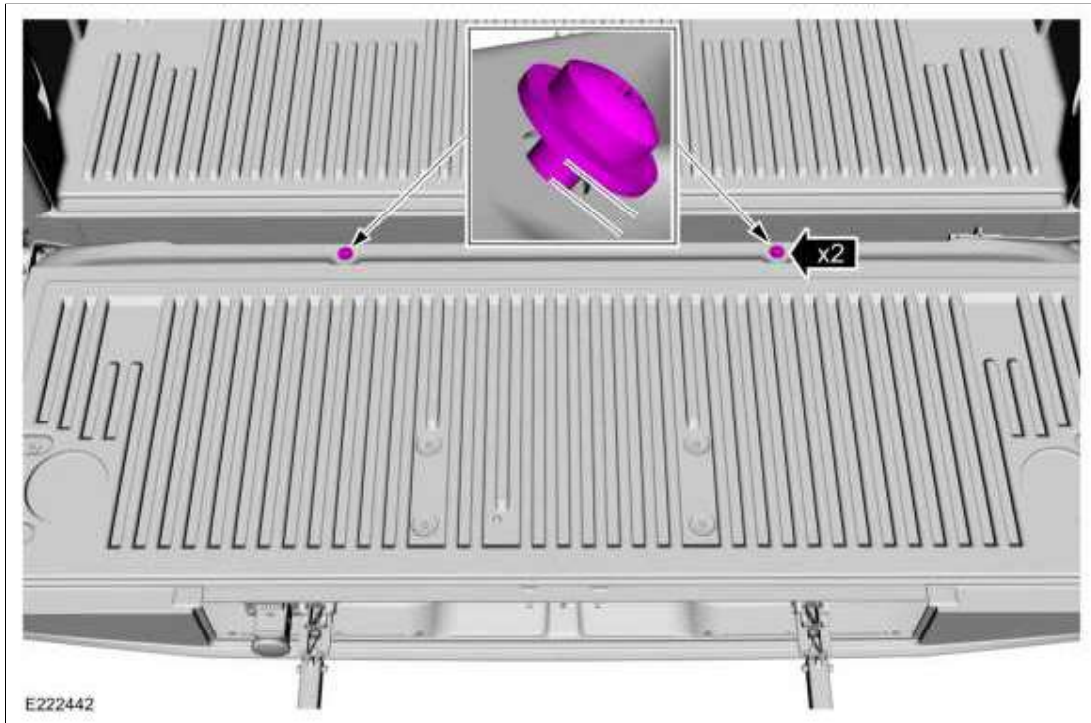
2. Push the tailgate step release button.



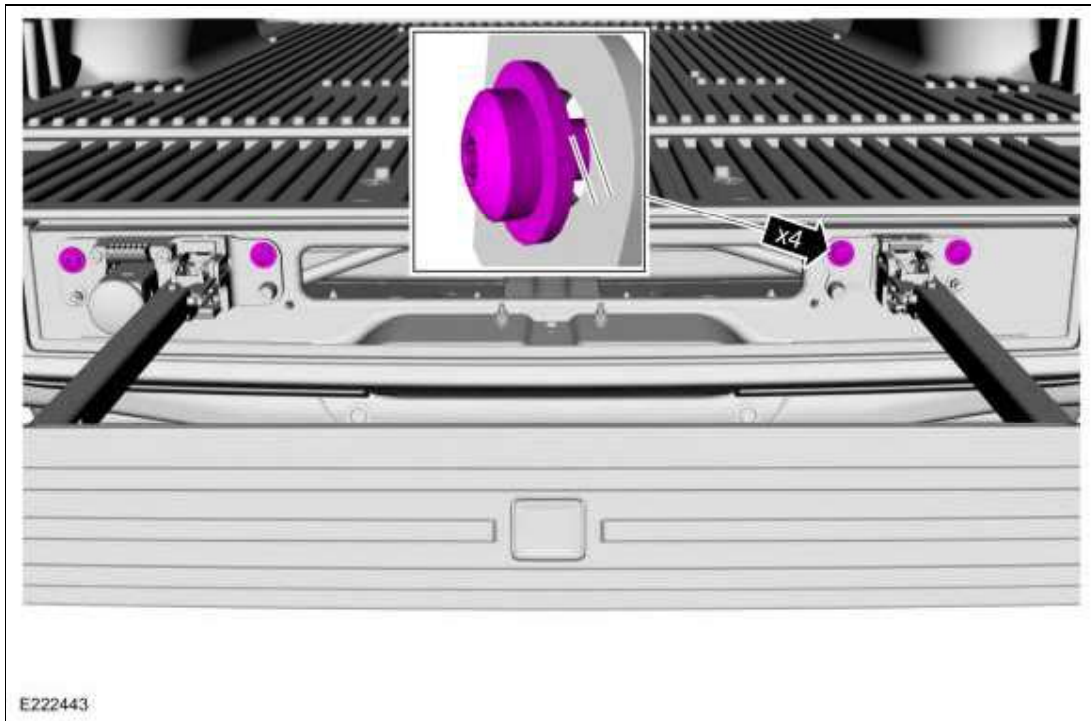
3. Open the tailgate step.



4. Loosen the tailgate step inside bolts.

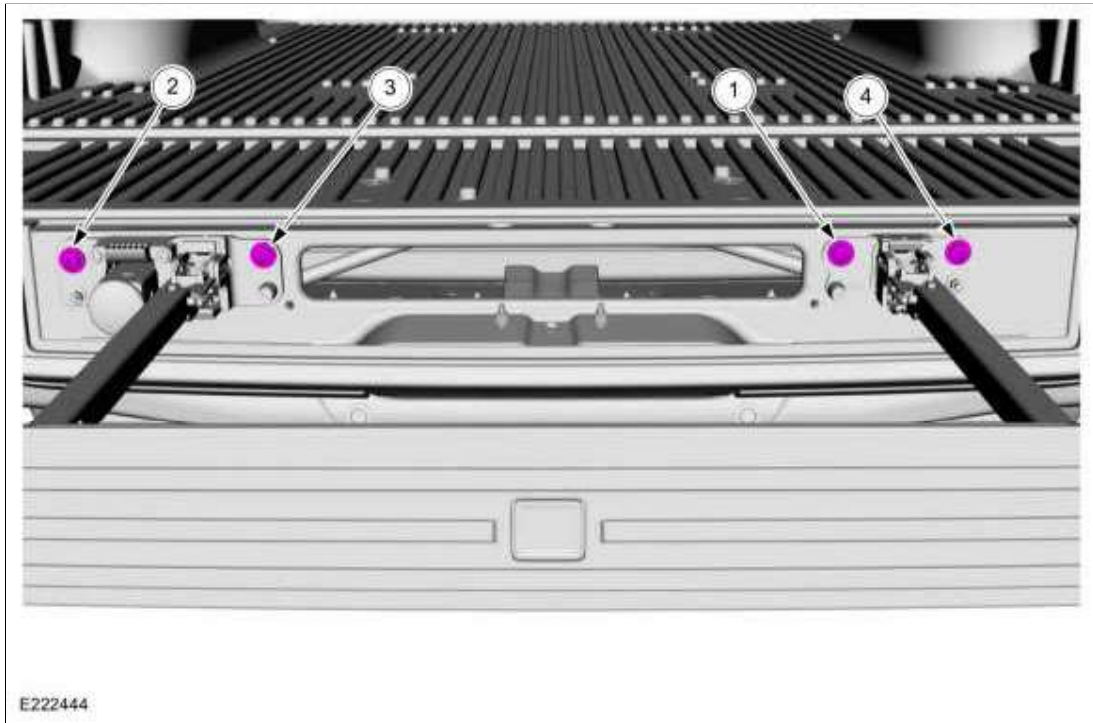


5. Loosen the tailgate step upper bolts.

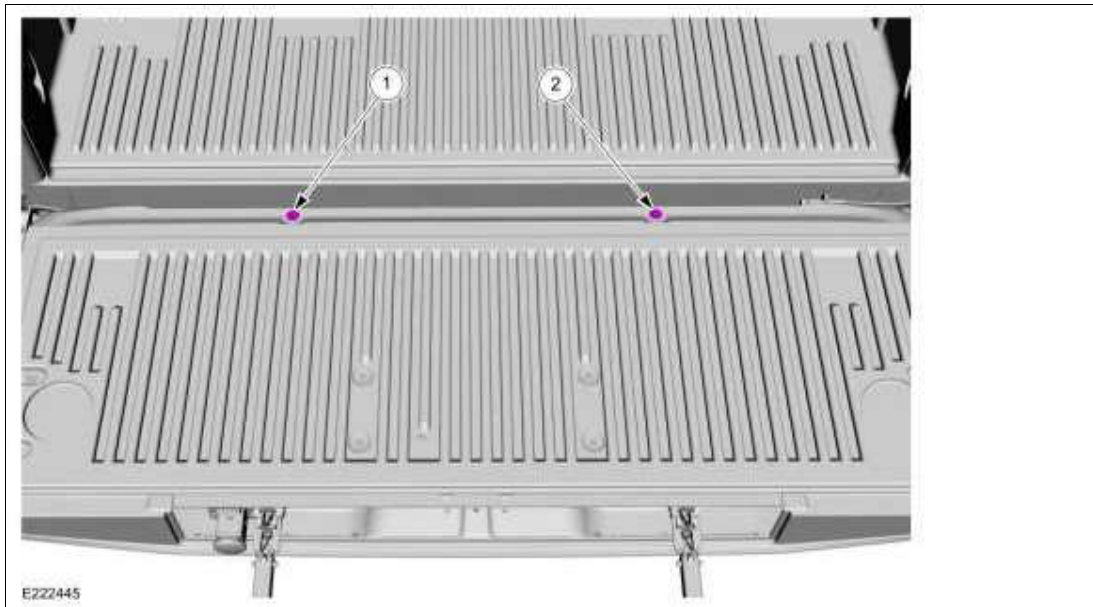


6. Tighten the tailgate step upper bolts in the following sequence:

1. Torque: 17 lb.ft (22.5 Nm)
2. Torque: 17 lb.ft (22.5 Nm)
3. Torque: 17 lb.ft (22.5 Nm)
4. Torque: 17 lb.ft (22.5 Nm)



7. Tighten the tailgate step inside bolts in the following sequence:
1. Torque: 17 lb.ft (22.5 Nm)
 2. Torque: 17 lb.ft (22.5 Nm)



8. Test the system for normal operation.

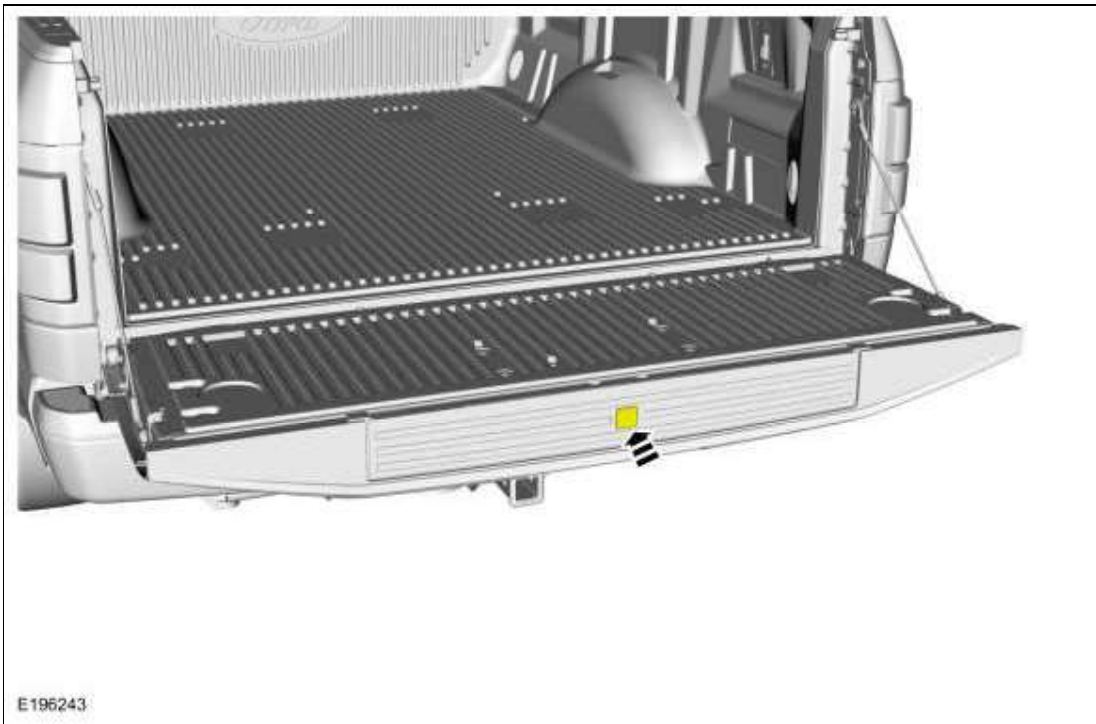
Adjustment

NOTE: LATCH STRIKER ADJUSTMENT

1. Lower the tailgate.



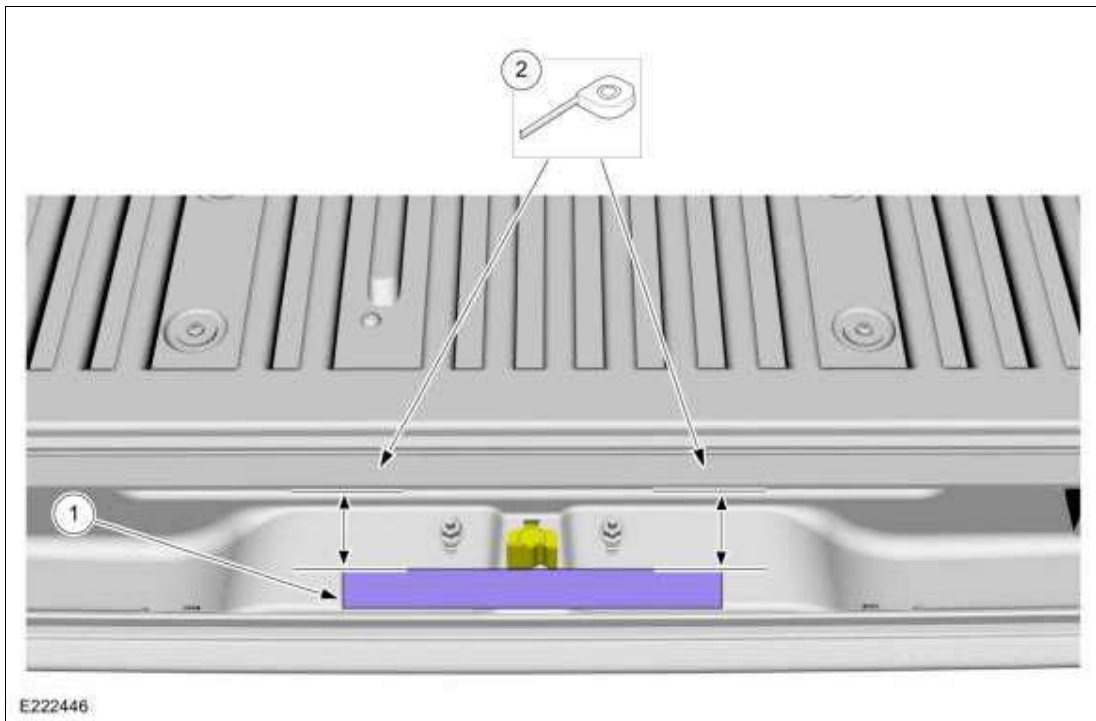
2. Push the tailgate step release button.



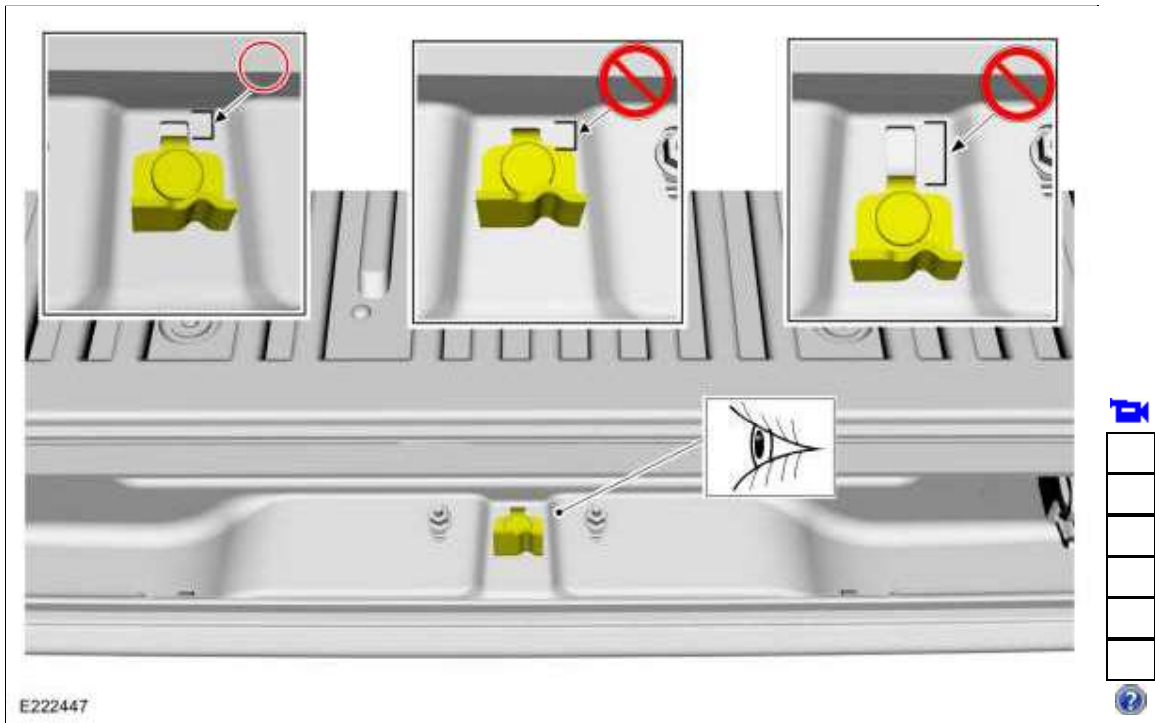
3. Open the tailgate step.



4. Using a 12 inch straight edge, check the striker horizontal alignment.
 1. Place the straight edge along the edge of the striker.
 2. Measure and record the distance at both ends of the straight edge to a horizontal edge of the tailgate.
 3. Subtract the LH measurement from the RH measurement and record the difference.



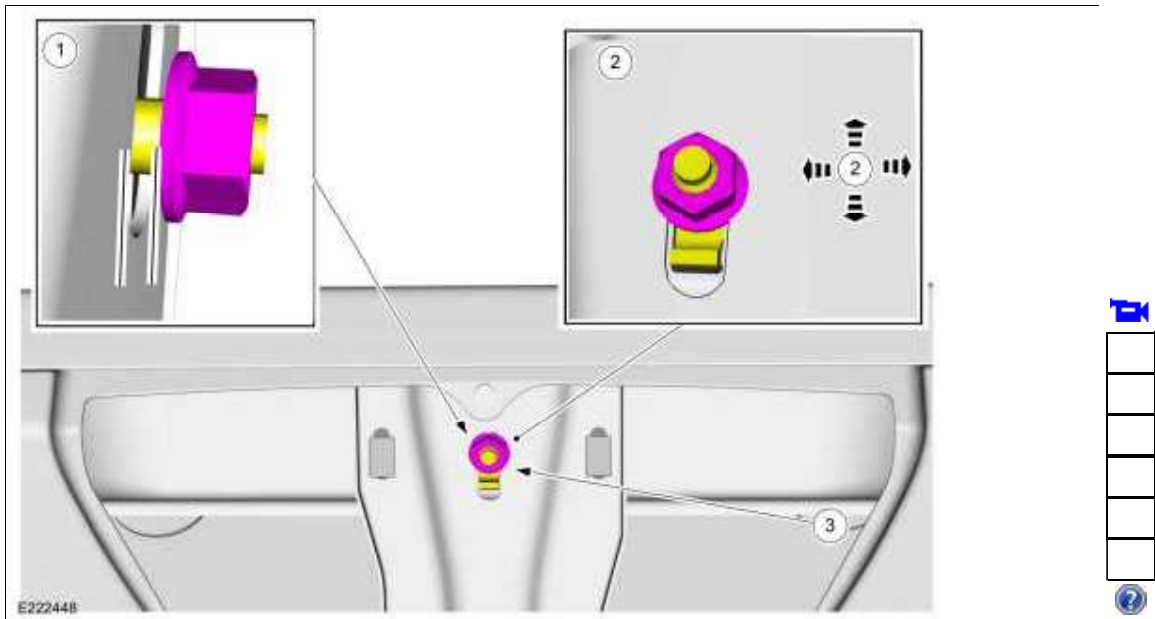
5. Visually inspect the position of the striker alignment tab in relation to the opening in the body. The striker should set near the center of the body opening.



6. If the striker position is OK, no adjustment is needed. If the horizontal measurement recorded is greater than 10 mm (0.39 in) or the striker is not properly centered in the body opening, adjust the striker.

7. For access to adjust the striker, remove the tailgate release handle.
 Refer to: [Tailgate Release Handle](#) (501-14 Handles, Locks, Latches and Entry Systems, Removal and Installation).

8. Adjust the tailgate striker the tailgate striker nut and adjust as necessary.
1. Loosen the tailgate striker nut.
 2. Adjust the tailgate striker as necessary.
 3. Tighten the tailgate striker nut.
- Torque: 16 lb.ft (22 Nm)*



9. Test the system for normal operation.