

Brake Pads

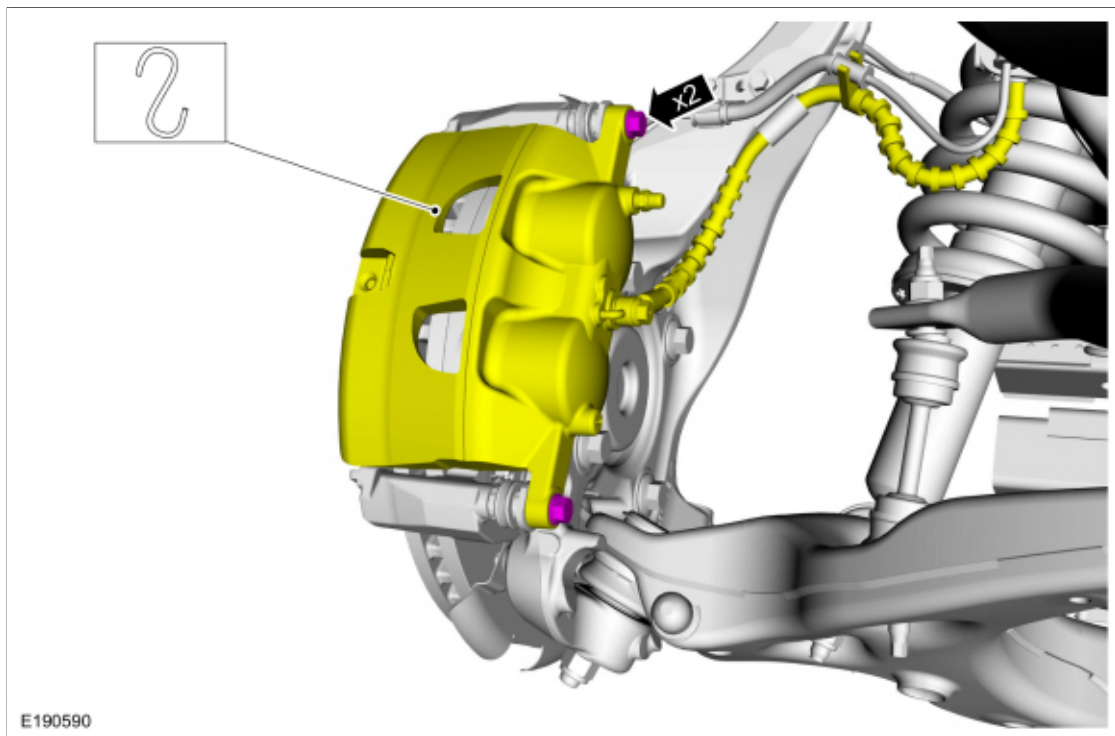
Base Part Number: 2001

Removal

1. Remove the wheel and tire.
Refer to: [Wheel and Tire](#) (204-04A Wheels and Tires, Removal and Installation).
2. **NOTICE: Do not pry in the caliper sight hole to retract the pistons as this can damage the pistons and boots.**

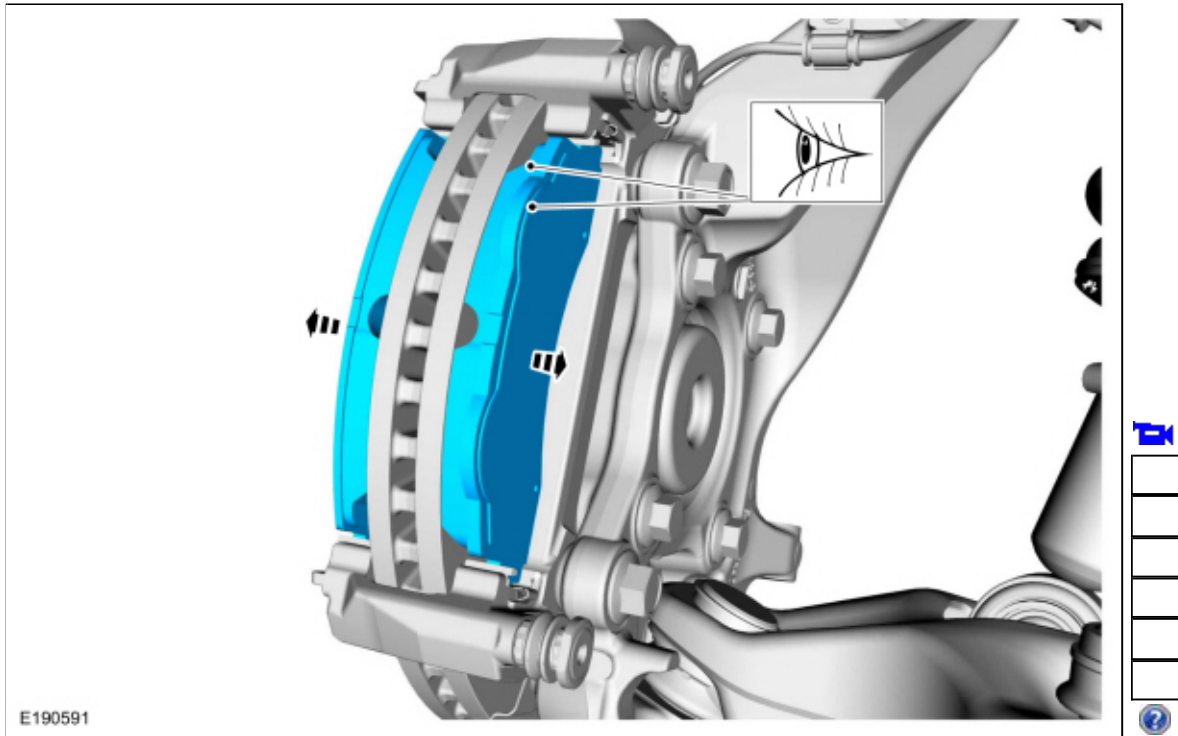
NOTICE: Do not allow the brake caliper to hang from the brake hose or damage to the hose can occur.

Remove the 2 bolts and position the brake caliper aside.
Torque: 27 lb.ft (37 Nm)

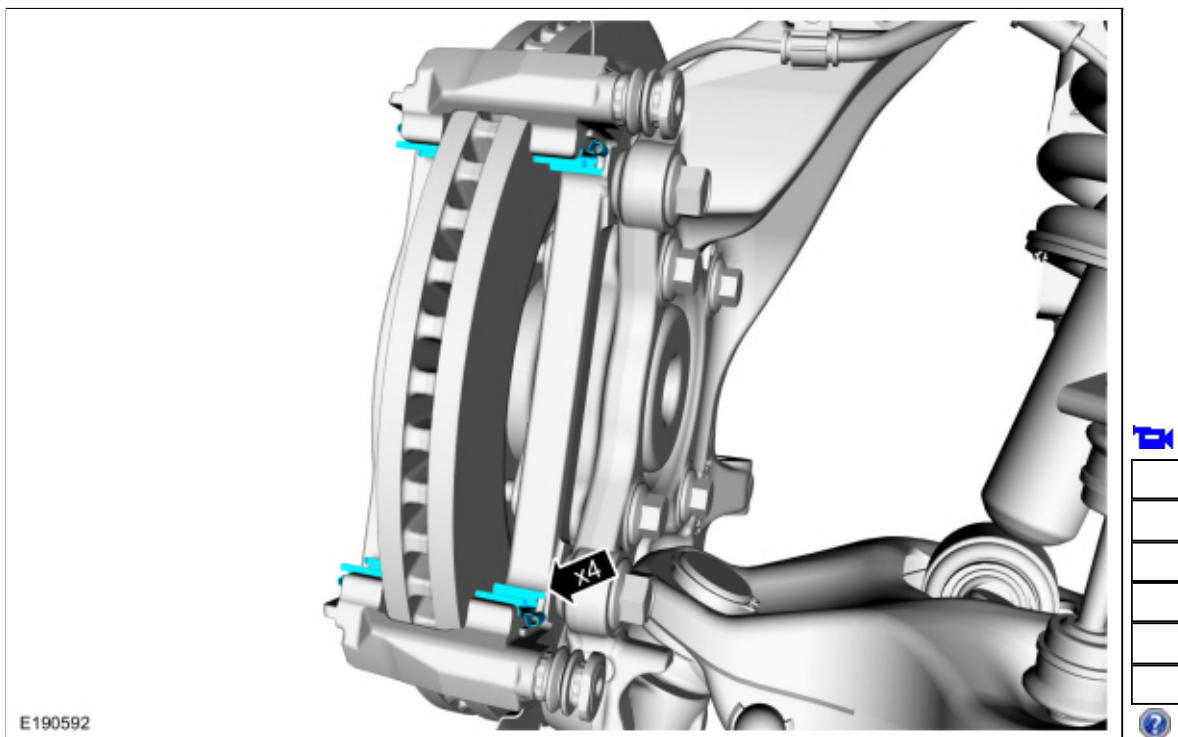


3. **NOTICE: Make sure the brake pads are installed in the correct position. The inboard brake pad steel backings have rounder/raised edges and the larger chamfered portion of the inboard linings must always be installed at the top. The inner brake pads are not interchangeable from right-to-left. The outboard brake pads can be installed on either side of the vehicle. Failure to install the brake pads in the the correct position may result in damage to the brake components.**

Remove the brake pads.



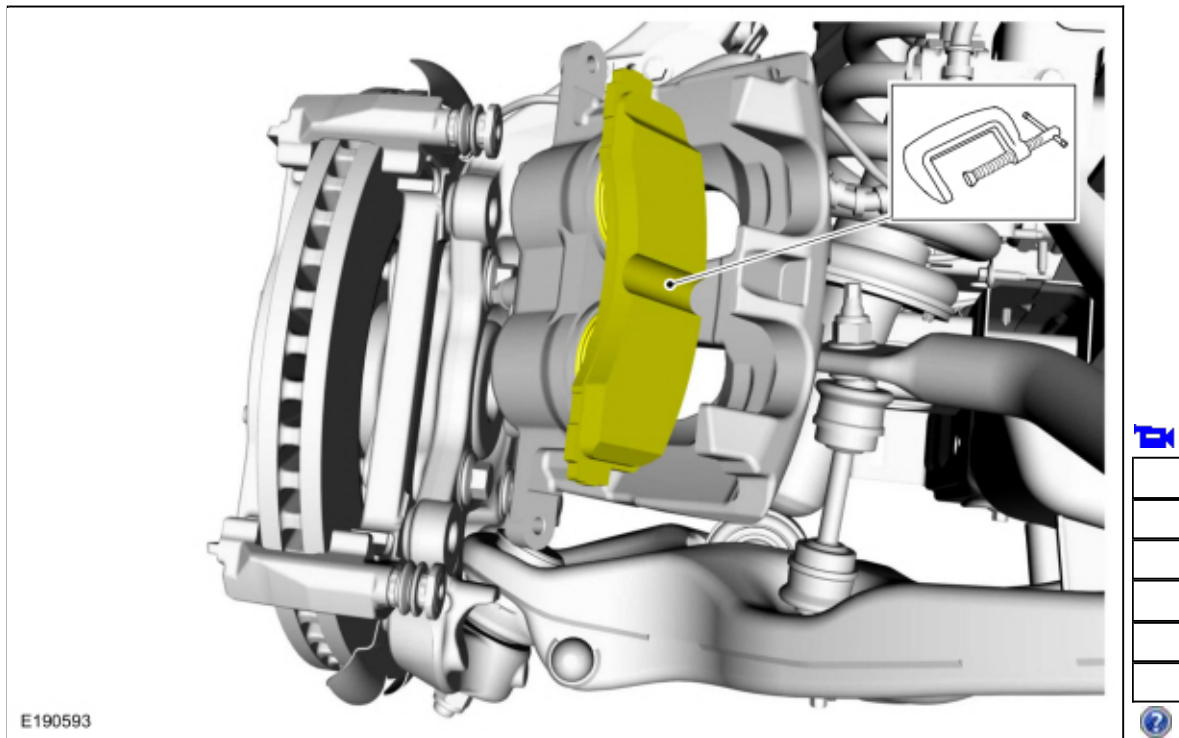
4. Remove the 4 brake pad clips.



5. **NOTICE:** Protect the caliper pistons and boots when pushing the caliper piston into the caliper piston bores or damage to components may occur.

If installing new brake pads.

Use a C-clamp and a worn brake pad to compress the disc brake caliper pistons into the brake caliper bore.



Installation

1. **NOTICE:** Make sure that the brake hose is not twisted when installing the brake caliper or damage to the brake flexible hose may occur.

To install, reverse the removal procedure.

2. **NOTICE:** If the fluid is spilled on the paintwork, the affected area must be immediately washed down with cold water.

Depress the brake pedal, check the brake fluid level in the brake fluid reservoir and top up as necessary with brake fluid.

Refer to: [Specifications](#) (206-00 Brake System - General Information, Specifications).

