



Front Door Upper Moulding

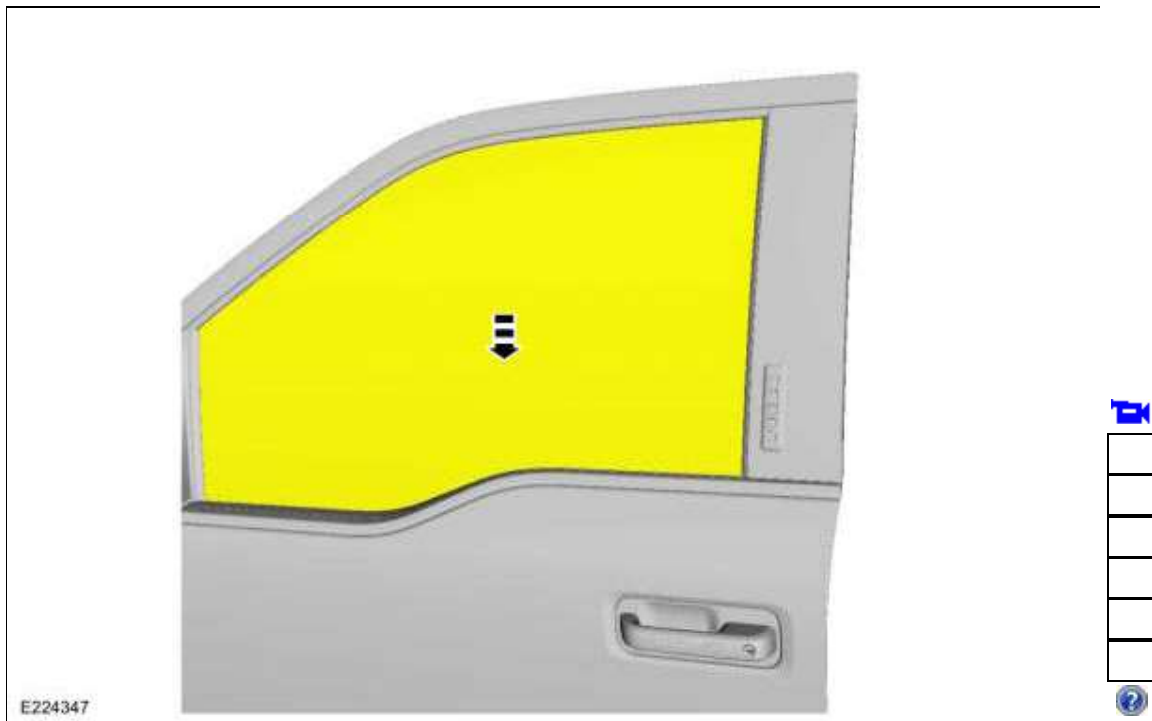
Removal

NOTE: Removal steps in this procedure may include installation details.

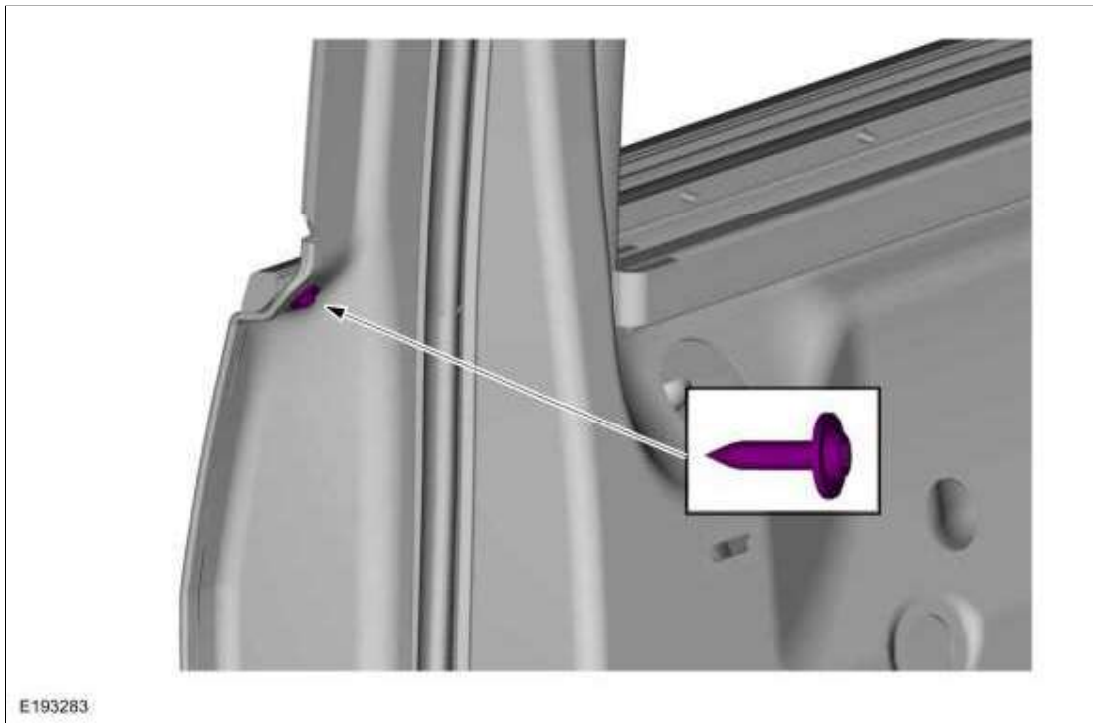
LH side shown, RH side similar.

All vehicles

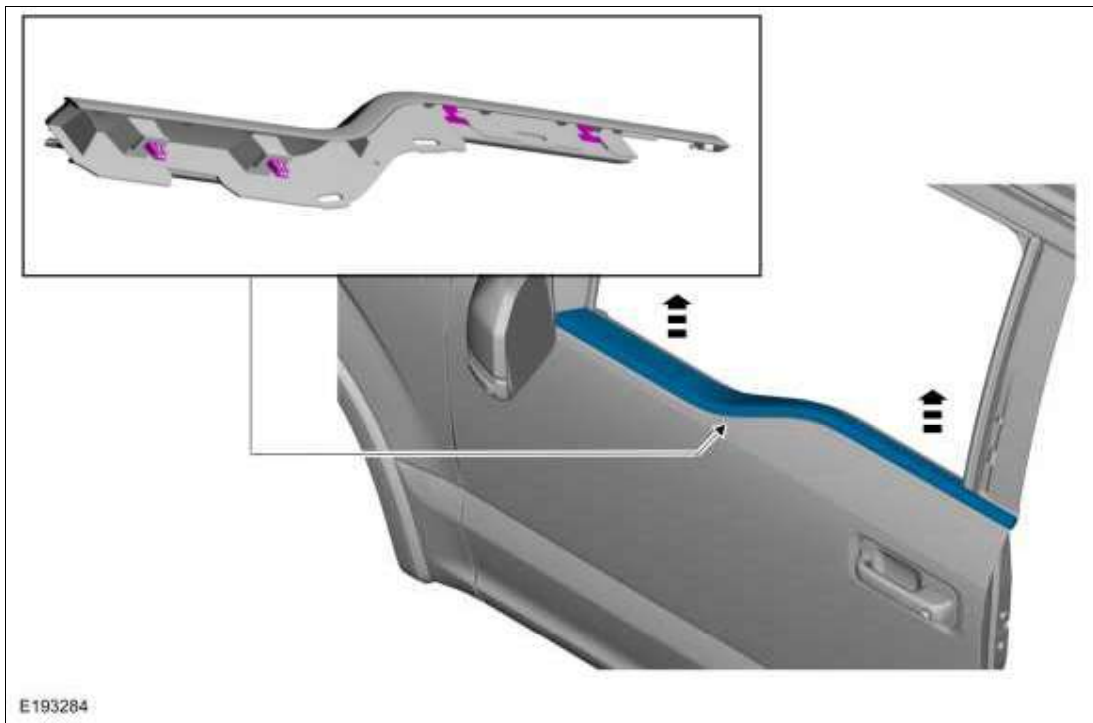
1. Lower the door window glass.



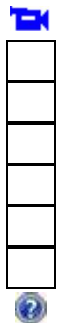
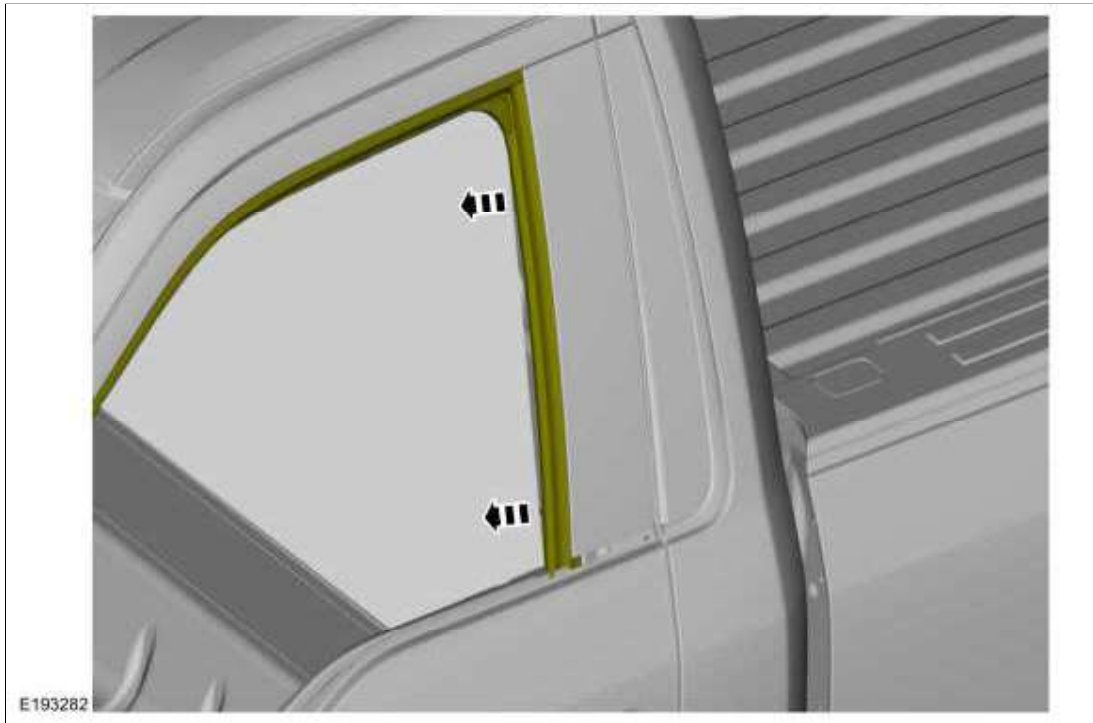
2. Remove the upper belt moulding screw at rear of the door.
Torque: 9 lb.in (1.0 Nm)



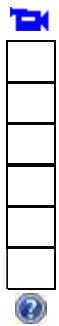
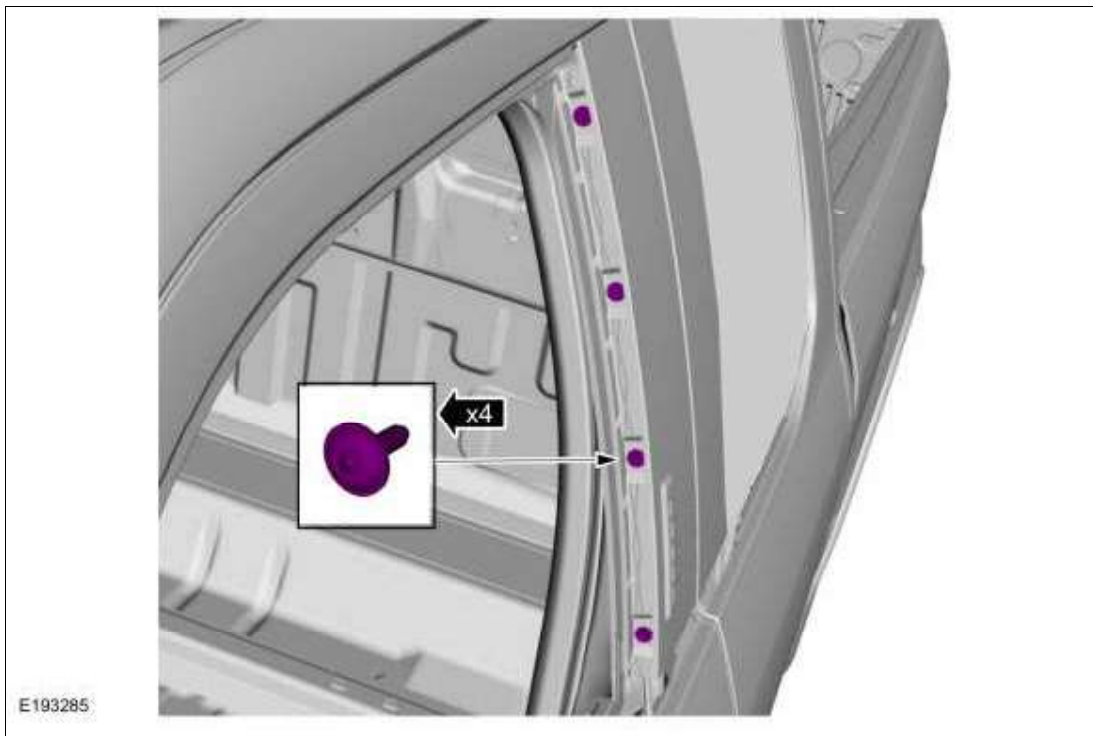
3. **NOTE:** Use care when removing the moulding to avoid breaking tabs along lower edge of the moulding.
Using a non-marring trim tool, disengage the retainer clips and remove the moulding.



4. Position aside the glass run weatherstrip.



5. Remove the 4 screws from upper door moulding.
Torque: 13 lb.in (1.5 Nm)

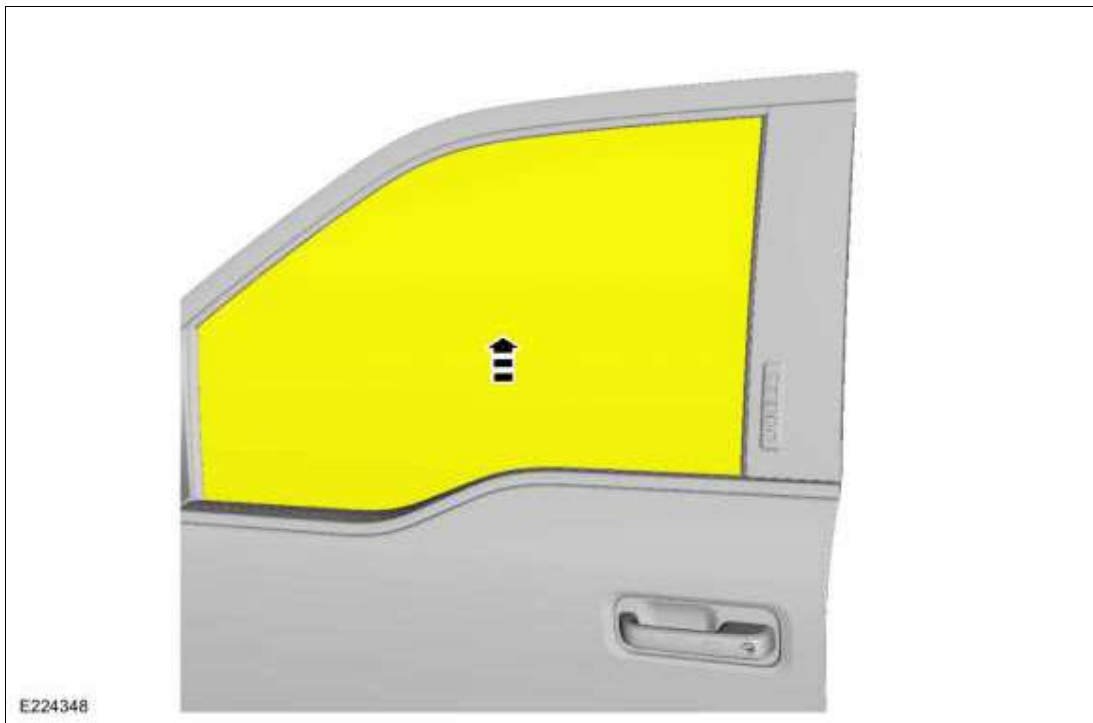


6. Remove the upper door moulding.



Vehicles With: Keyless Entry

7. Raise the door window glass.



8. Remove the exterior door handle.

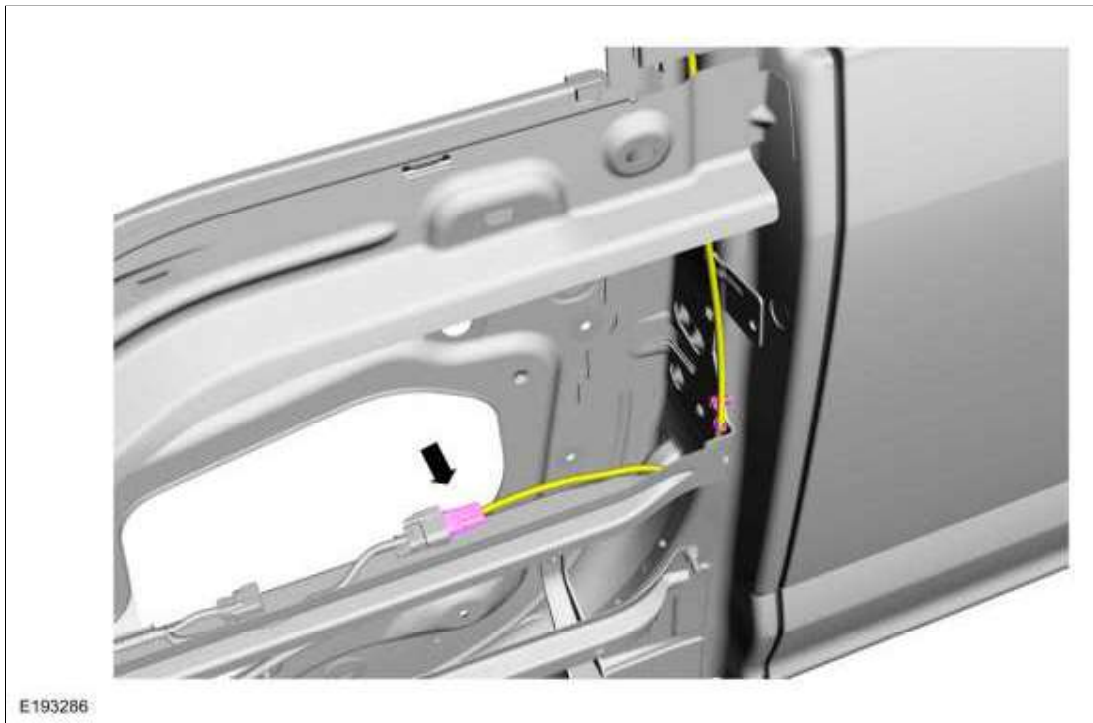
Refer to: [Exterior Front Door Handle](#) (501-14 Handles, Locks, Latches and Entry Systems, Removal and Installation).

9. Remove the front door trim panel.

Refer to: [Front Door Trim Panel](#) (501-05 Interior Trim and Ornamentation, Removal and Installation).

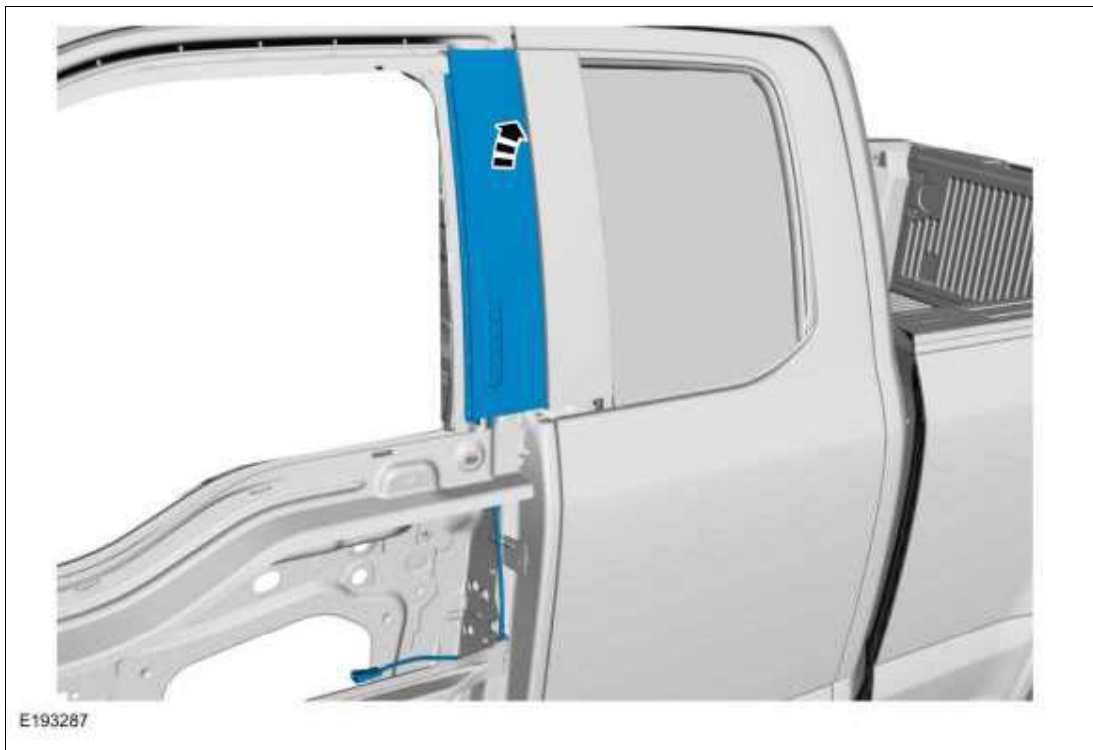
10. **NOTE:** Shown with outer door panel removed for clarity.

Disconnect the electrical connector and the wiring retainer.



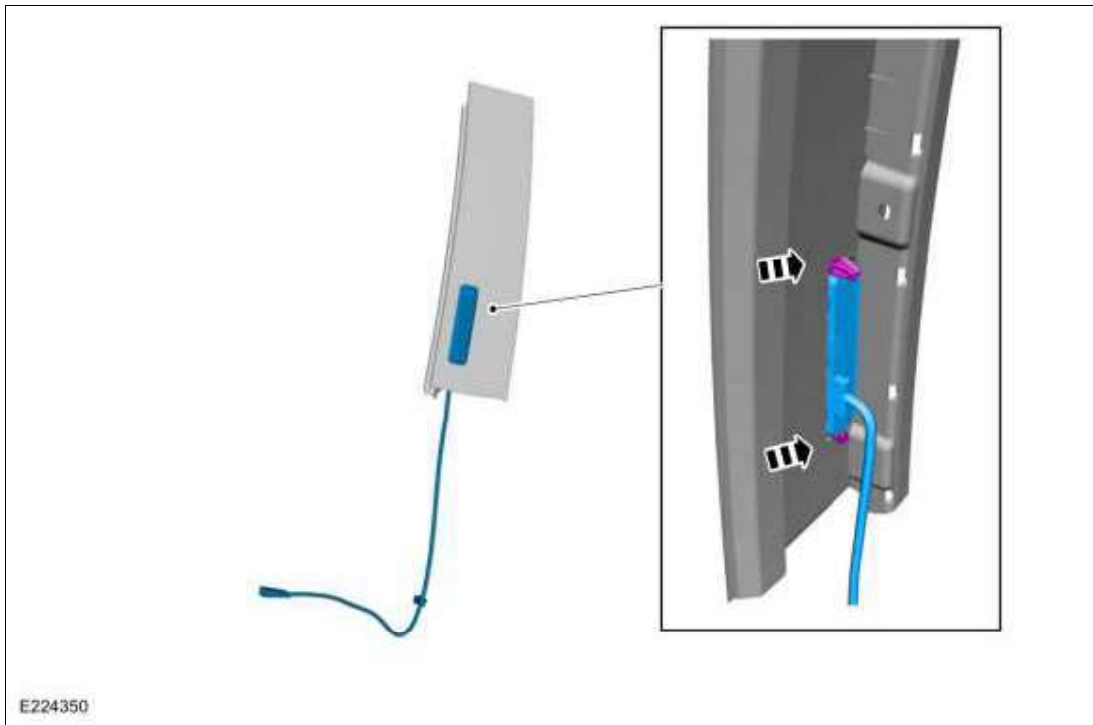
11. **NOTE:** Shown with outer door panel removed for clarity.

Remove the upper door moulding.



12. **NOTE:** The keypad actuator can be serviced separately from the moulding if required.

Depress the retainer tabs to remove the keypad actuator.



Installation

1. To install, reverse the removal procedure.