

M-RACK INSTALLATION GUIDE

- ASSEMBLE BASE RACK PER DIAGRAM ON 2ND PAGE
- ATTACH FRONT LIGHT BAR TO THE RACK
- PLACE MASKING TAPE ALONG OUTER EDGES OF VEHICLE ROOF SKIN
- SET RACK INTO PLACE ON VEHICLE ROOF
- ALIGN AND CENTER THE RACK ON VEHICLE ROOF
- ONCE SATISFIED WITH RACK PLACEMENT, TRANSFER MOUNTING TAB HOLE LOCATIONS ONTO MASKING TAPE
- REMOVE RACK FROM VEHICLE ROOF AND SET ASIDE
- USING A 1/16" DRILL BIT (OR SIMILAR), MAKE A PILOT HOLE IN THE CENTER OF EACH TAB MARK
- OPEN UP THE PILOT HOLES USING A "Q" DRILL BIT (5/16" WILL ALSO WORK IN A PINCH)
- BE CAREFUL NOT TO DRILL BEYOND THE OUTER ROOF SKIN, A DRILL BIT STOP CAN BE USED TO SET DEPTH
- REMOVE THE MASKING TAPE FROM THE VEHICLE ROOF
- PLACE THREADED INSERTS INTO NEWLY CREATED HOLES IN THE ROOF SKIN
- USING A RIVNUT TOOL, SET THE INSERTS USING THE M6 DIE ON YOUR TOOL
- BE SURE TO FULLY CRUSH THE INSERTS SO THAT A PROPER SEAL CAN BE ESTABLISHED
- SET THE RACK BACK INTO POSITION ON THE VEHICLE ROOF
- USING THE PROVIDED M6-1.0 BUTTON HEAD SCREWS AND WASHERS, ATTACH THE RACK TO THE ROOF INSERTS

SEE REFERENCE DIAGRAMS ON PAGES 3-4

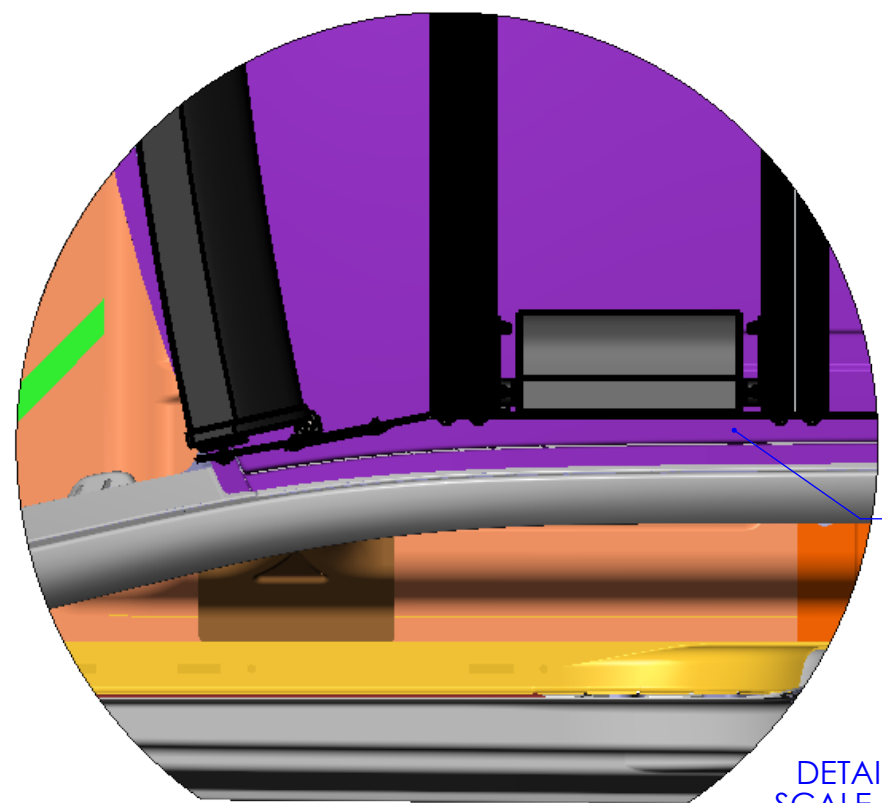
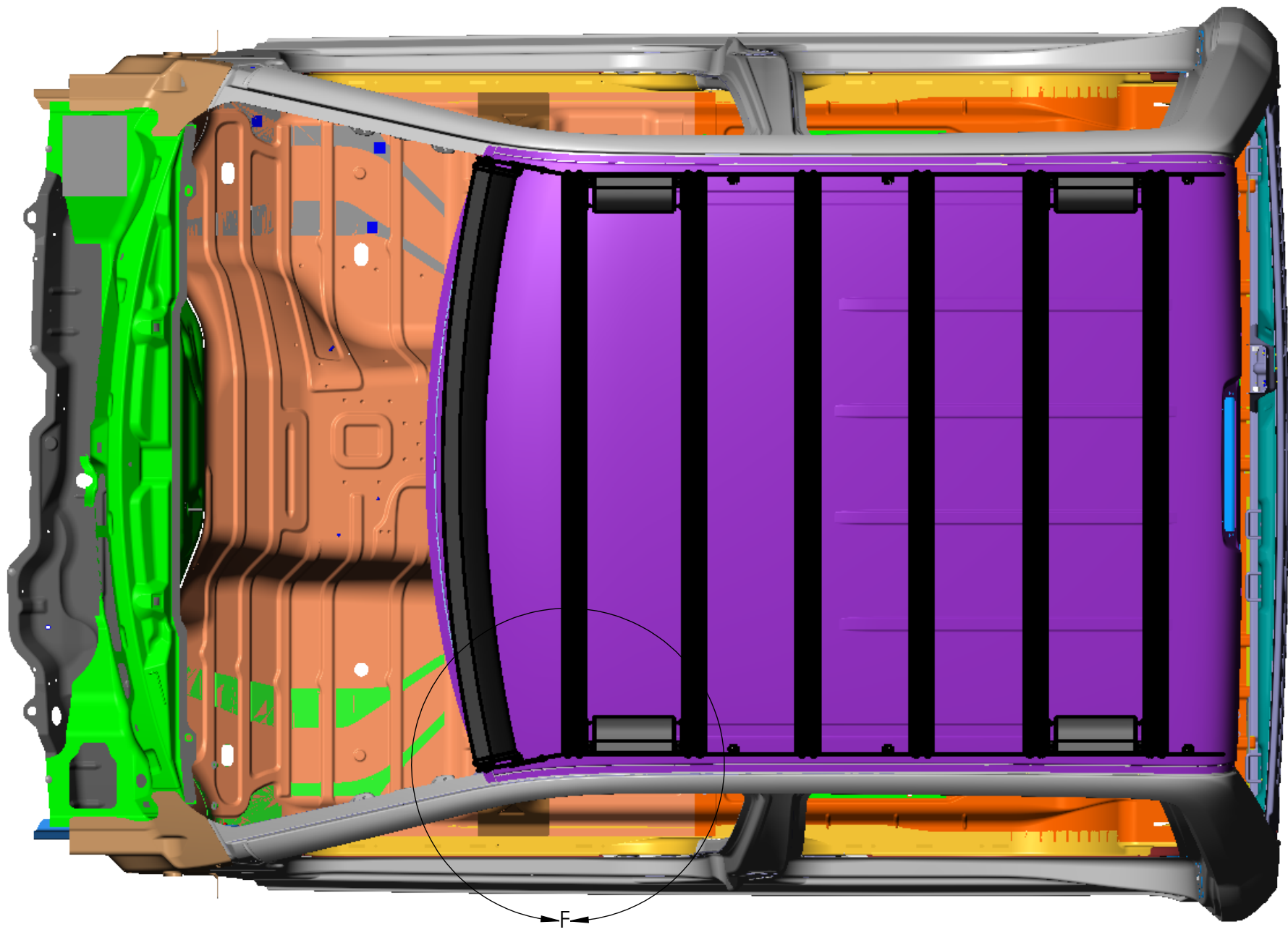
PROPRIETARY AND CONFIDENTIAL
 THE INFORMATION CONTAINED IN THIS
 DRAWING IS THE SOLE PROPERTY OF
 M-RACKS. ANY
 REPRODUCTION IN PART OR AS A WHOLE
 WITHOUT THE WRITTEN PERMISSION OF
 M-RACKS IS PROHIBITED

		UNLESS OTHERWISE SPECIFIED:	NAME	DATE		
		DIMENSIONS ARE IN INCHES	DRAWN		TITLE:	
		TOLERANCES:	CHECKED			
		FRACTIONAL ±	ENG APPR.			
		ANGULAR: MACH ± BEND ±	MFG APPR.			
		TWO PLACE DECIMAL ±	Q.A.		SIZE	
		THREE PLACE DECIMAL ±			DWG. NO.	
		INTERPRET GEOMETRIC TOLERANCING PER:			M-Rack Install	
		MATERIAL			REV	
NEXT ASSY	USED ON	FINISH			SCALE: 1:16 WEIGHT:	
APPLICATION		DO NOT SCALE DRAWING			SHEET 1 OF 4	

8 7 6 5 4 3 2 1

D
C
B
A


D
C
B
A



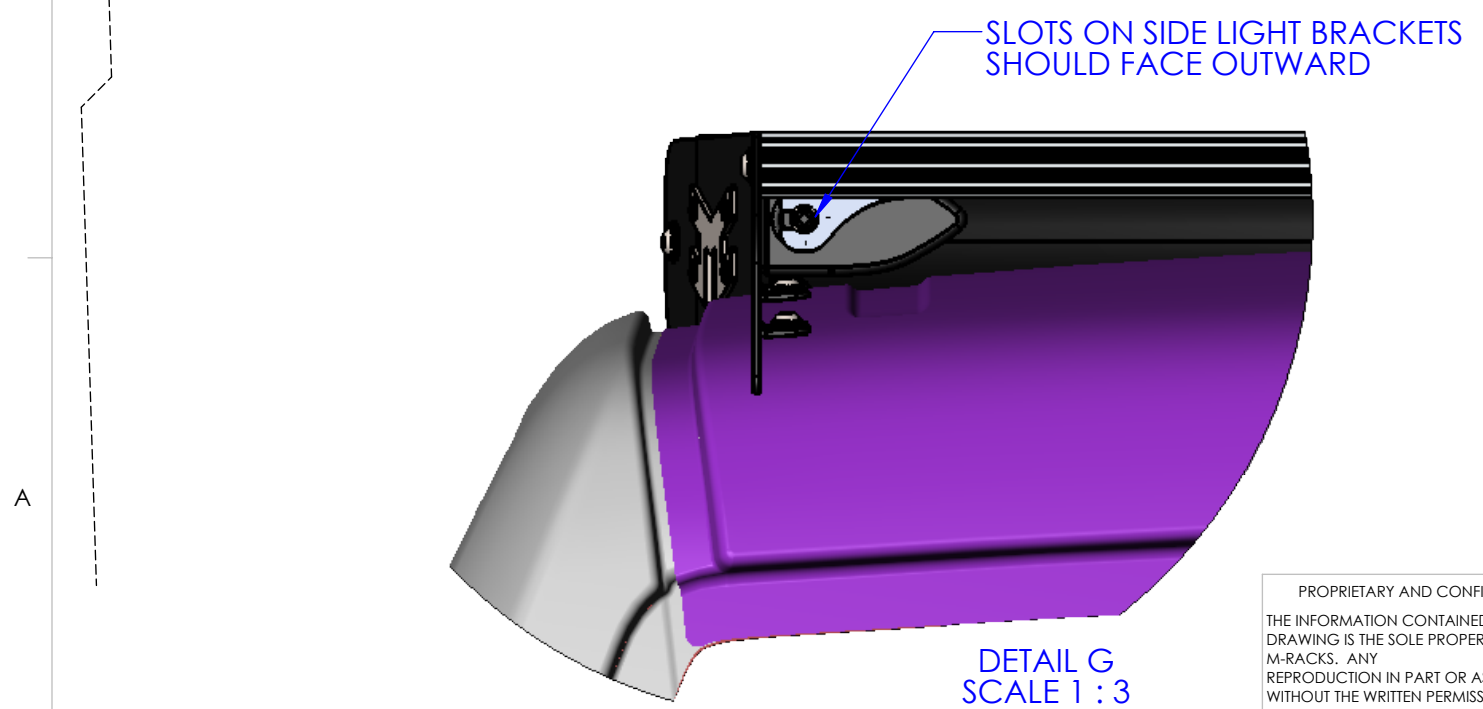
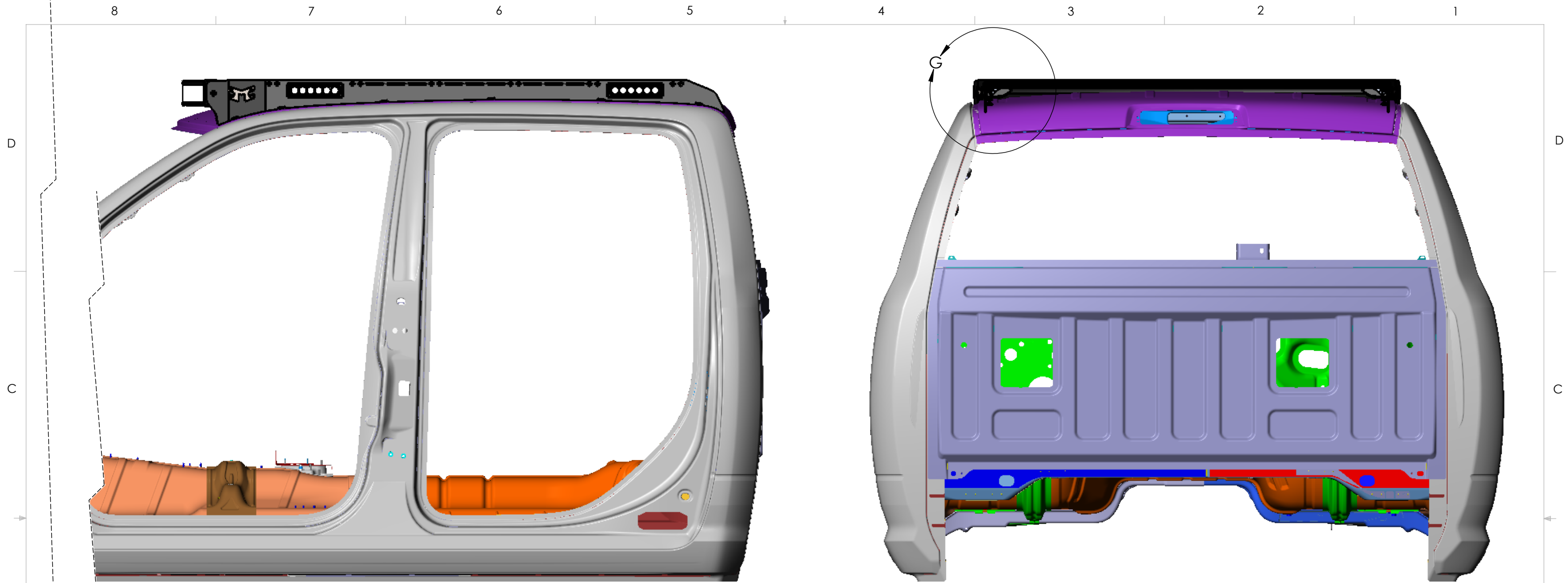
ENSURE THAT RACK IS CENTERED FROM SIDE TO SIDE ON THE ROOF

DETAIL F
SCALE 1 : 6

PROPRIETARY AND CONFIDENTIAL
THE INFORMATION CONTAINED IN THIS DRAWING IS THE SOLE PROPERTY OF M-RACKS. ANY REPRODUCTION IN PART OR AS A WHOLE WITHOUT THE WRITTEN PERMISSION OF M-RACKS IS PROHIBITED


		UNLESS OTHERWISE SPECIFIED:	NAME	DATE	TITLE:
		DIMENSIONS ARE IN INCHES	DRAWN		
		TOLERANCES:	CHECKED		
		FRACTIONAL ±	ENG APPR.		
		ANGULAR: MACH ±	MFG APPR.		SIZE B
		BEND ±	Q.A.		
		TWO PLACE DECIMAL ±			REV
		THREE PLACE DECIMAL ±			SCALE: 1:48
		INTERPRET GEOMETRIC TOLERANCING PER:			WEIGHT:
		MATERIAL			SHEET 3 OF 4
NEXT ASSY	USED ON	FINISH			
APPLICATION		DO NOT SCALE DRAWING			

8 7 6 5 4 3 2 1



DETAIL G
SCALE 1 : 3

PROPRIETARY AND CONFIDENTIAL
THE INFORMATION CONTAINED IN THIS
DRAWING IS THE SOLE PROPERTY OF
M-RACKS. ANY
REPRODUCTION IN PART OR AS A WHOLE
WITHOUT THE WRITTEN PERMISSION OF
M-RACKS IS PROHIBITED

		UNLESS OTHERWISE SPECIFIED:	NAME	DATE				
		DIMENSIONS ARE IN INCHES	DRAWN		TITLE:			
		TOLERANCES:	CHECKED					
		FRACTIONAL ±	ENG APPR.					
		ANGULAR: MACH ± BEND ±	MFG APPR.					
		TWO PLACE DECIMAL ±	Q.A.		SIZE	DWG. NO.	REV	
		THREE PLACE DECIMAL ±			B	M-Rack Install		
		INTERPRET GEOMETRIC TOLERANCING PER:			SCALE: 1:48		WEIGHT:	SHEET 4 OF 4
		MATERIAL						
		FINISH						
NEXT ASSY	USED ON	DO NOT SCALE DRAWING						
APPLICATION								