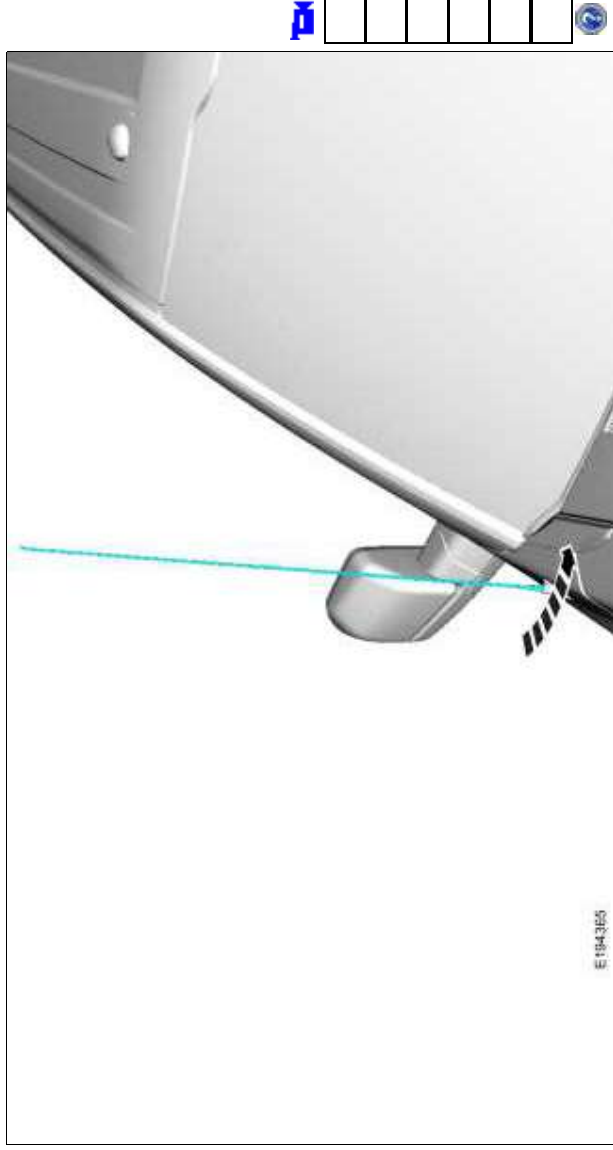


## Audio Unit Antenna

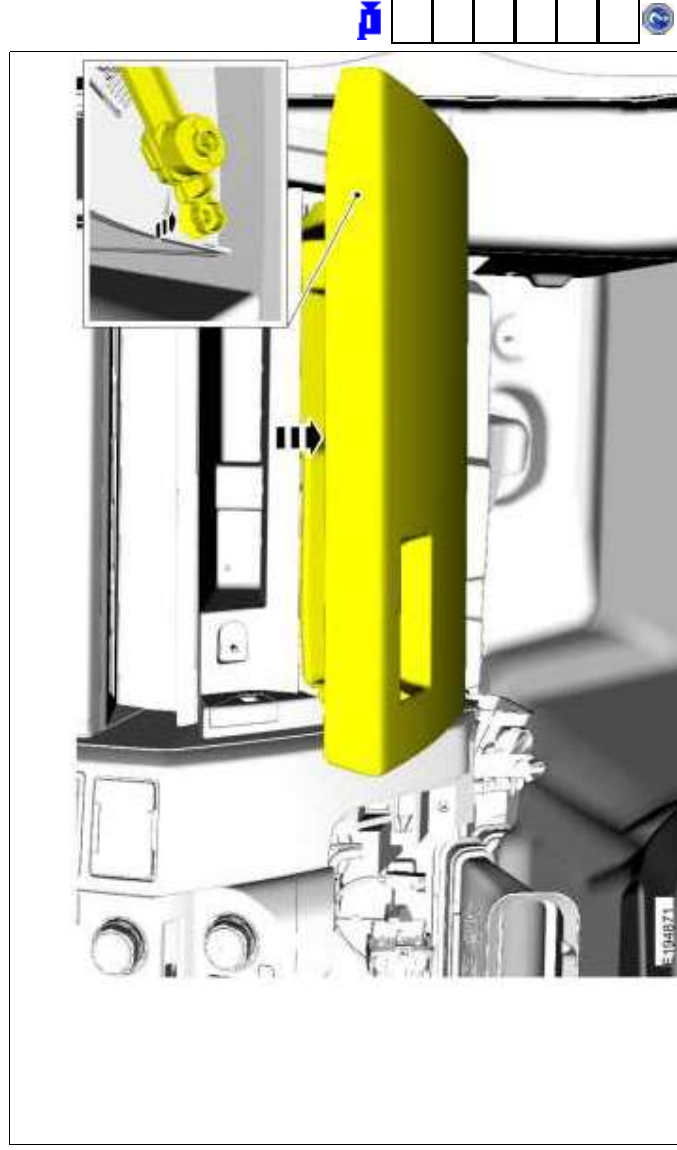
### Removal

**NOTE:** Removal steps in this procedure may contain installation details.

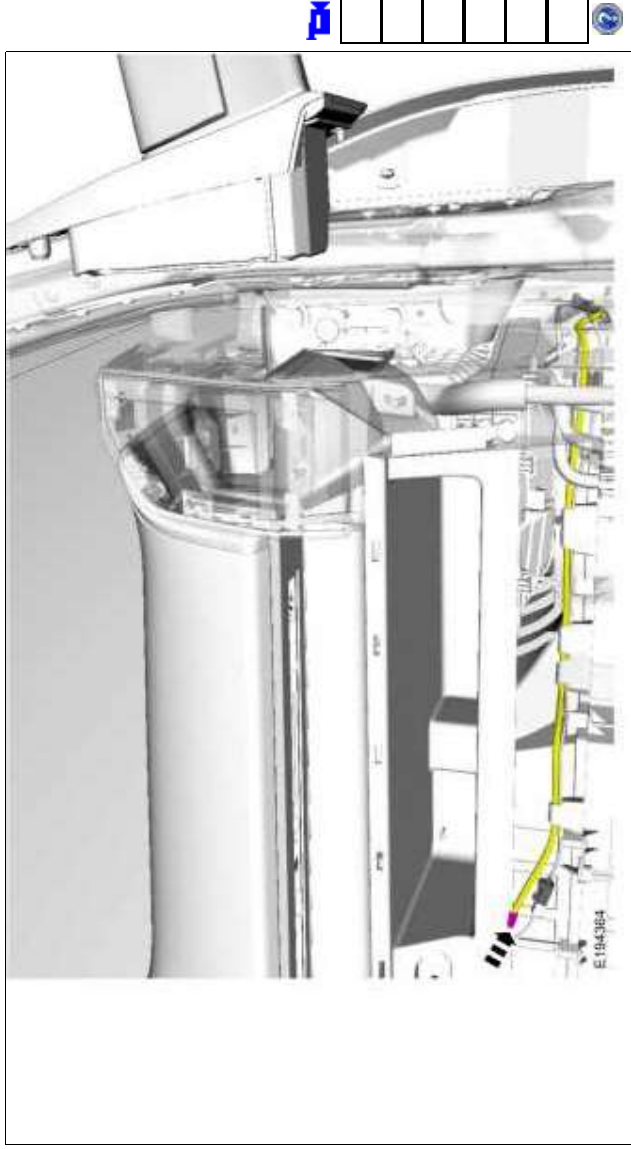
1. Remove the antenna mast.



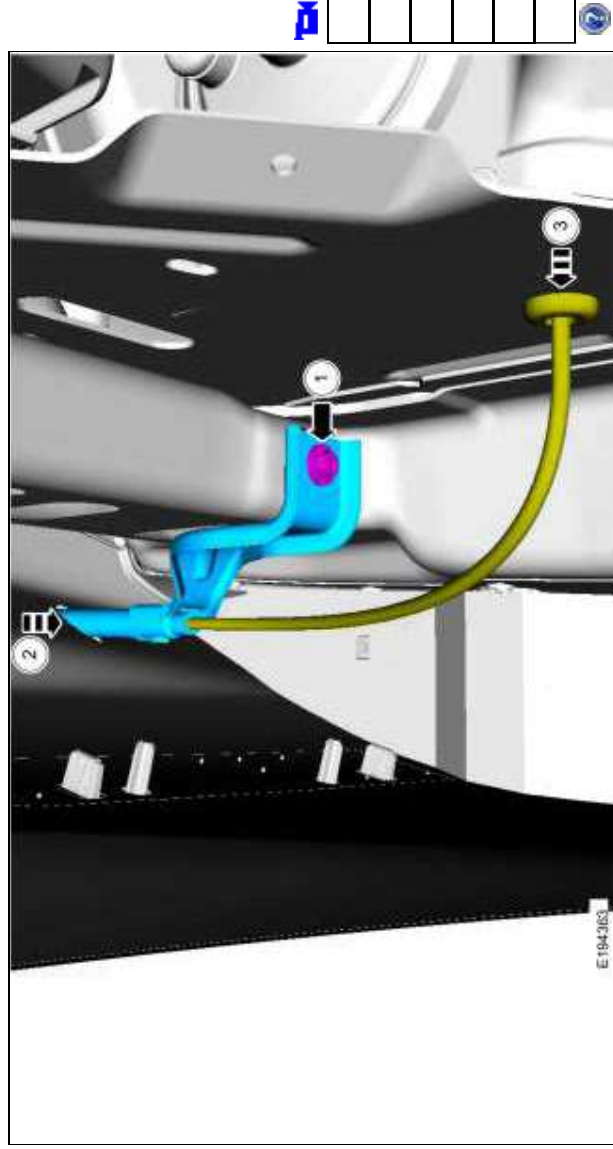
2. Fully lower the glove compartment.



3. Disconnect the audio unit antenna cable and unclip from the HVAC case.



4. Remove the **RH** fender splash shield.  
Refer to: [Fender Splash Shield](#) (501-02 Front End Body Panels, Removal and Installation).
5. **NOTE:** Use repair fastener W717626-S439 if the audio unit antenna bolt threads have stripped. Do not over torque fastener.
  1. Remove the audio unit antenna bolt.  
Torque: 155 lb.in (17.5 Nm)
  2. Lower the audio unit antenna assembly from the fender.
  3. Pull the audio unit antenna cable lead through the lower cowl opening, and remove the audio unit antenna assembly.



## Installation

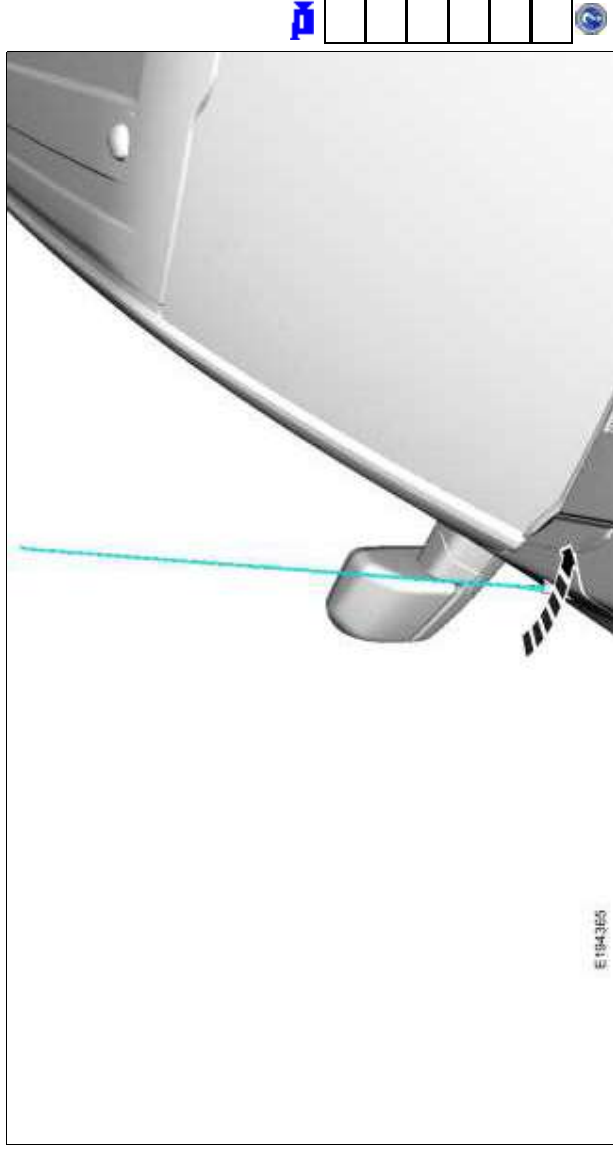
1. To install, reverse the removal procedure.

## Audio Unit Antenna

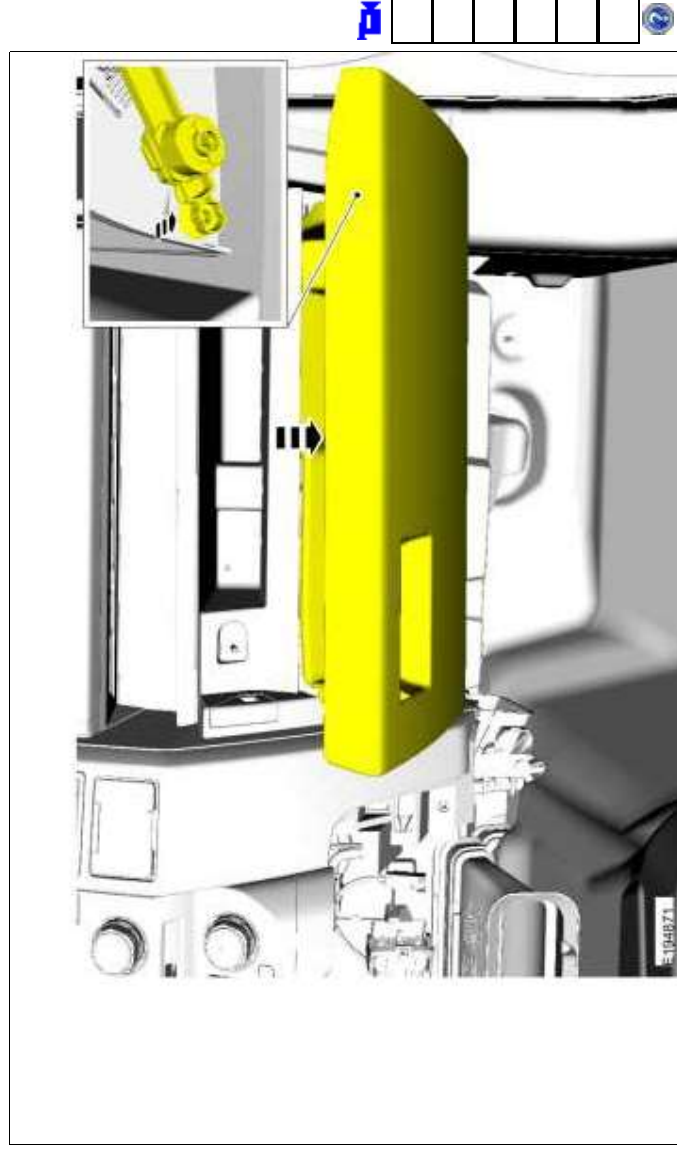
### Removal

**NOTE:** Removal steps in this procedure may contain installation details.

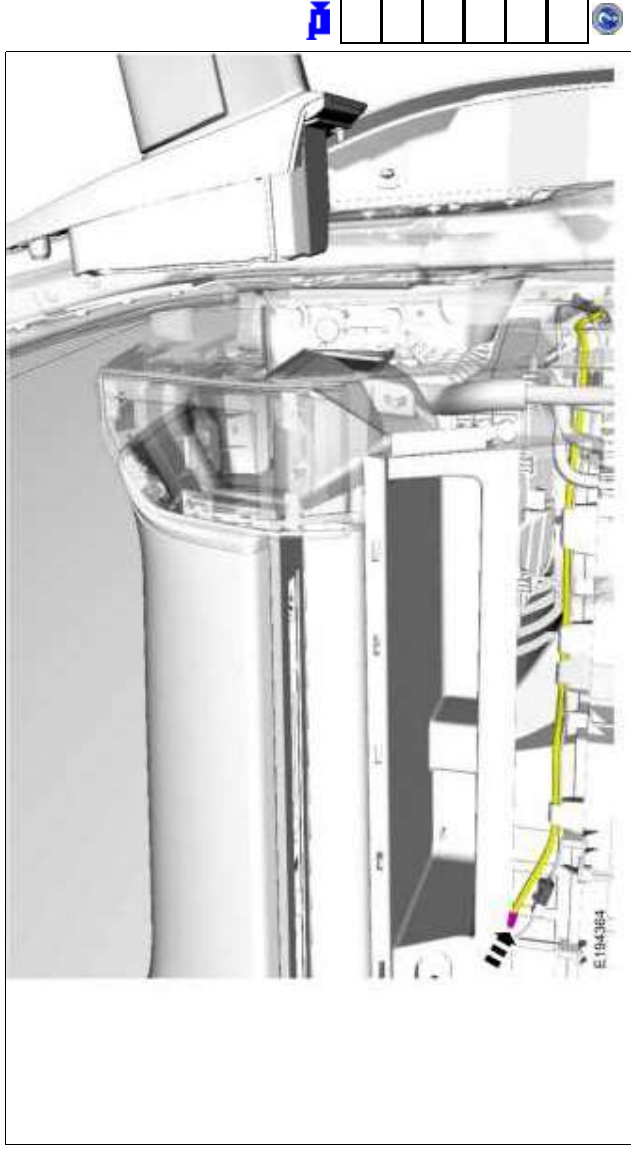
1. Remove the antenna mast.



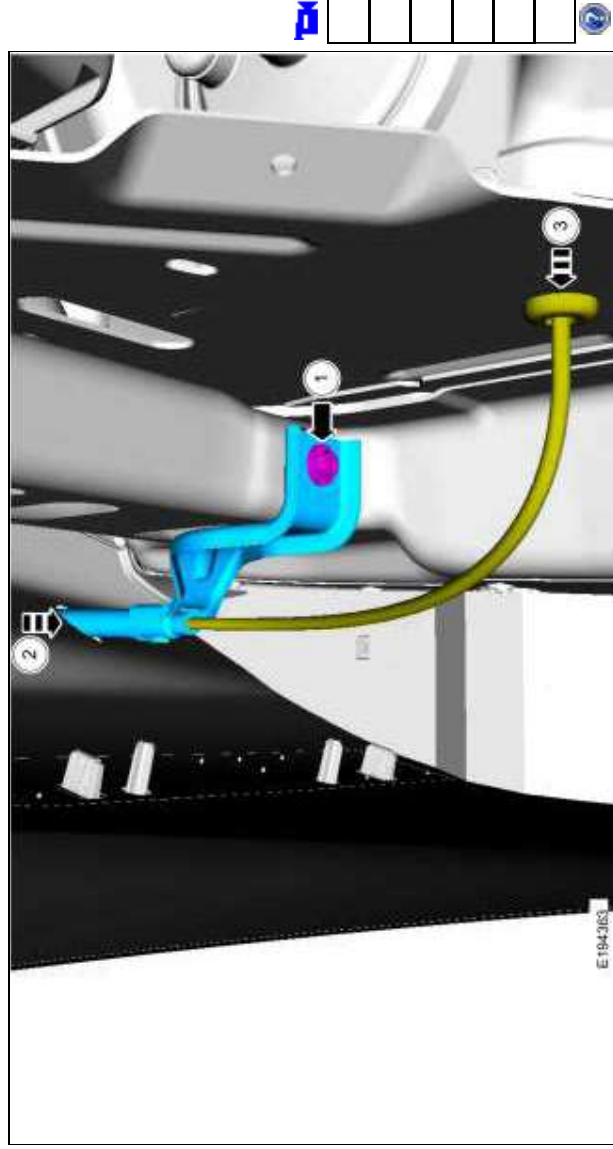
2. Fully lower the glove compartment.



3. Disconnect the audio unit antenna cable and unclip from the HVAC case.



4. Remove the **RH** fender splash shield.  
Refer to: [Fender Splash Shield](#) (501-02 Front End Body Panels, Removal and Installation).
5. **NOTE:** Use repair fastener W717626-S439 if the audio unit antenna bolt threads have stripped. Do not over torque fastener.
  1. Remove the audio unit antenna bolt.  
Torque: 155 lb.in (17.5 Nm)
  2. Lower the audio unit antenna assembly from the fender.
  3. Pull the audio unit antenna cable lead through the lower cowl opening, and remove the audio unit antenna assembly.



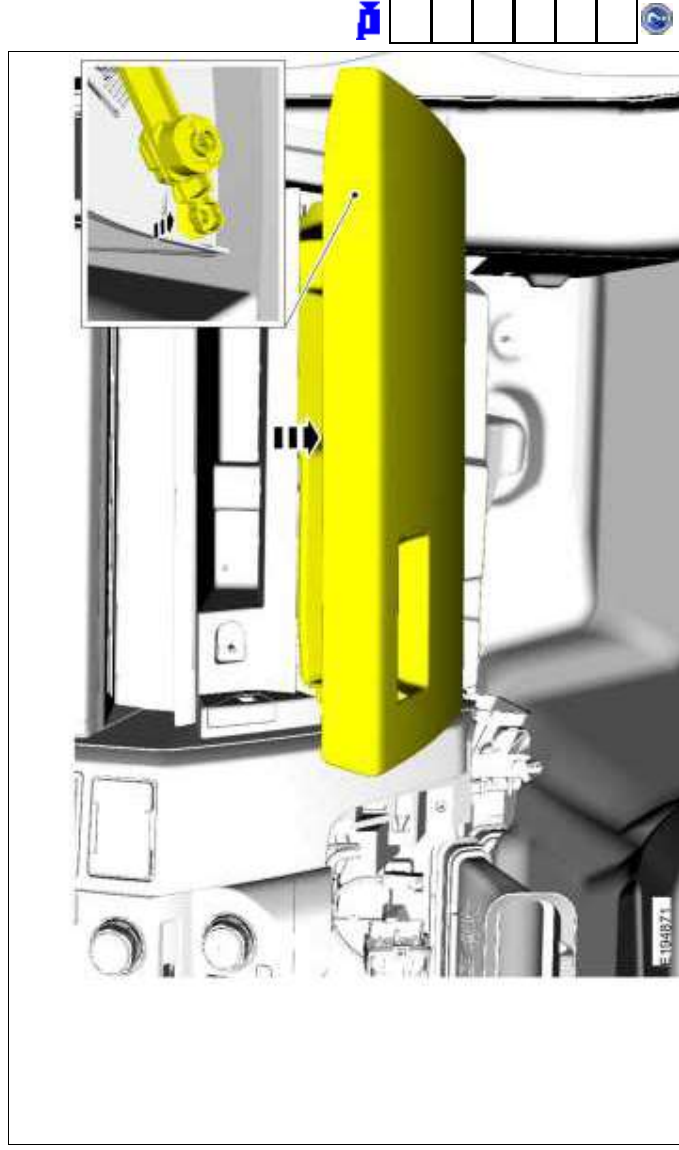
### Installation

1. To install, reverse the removal procedure.

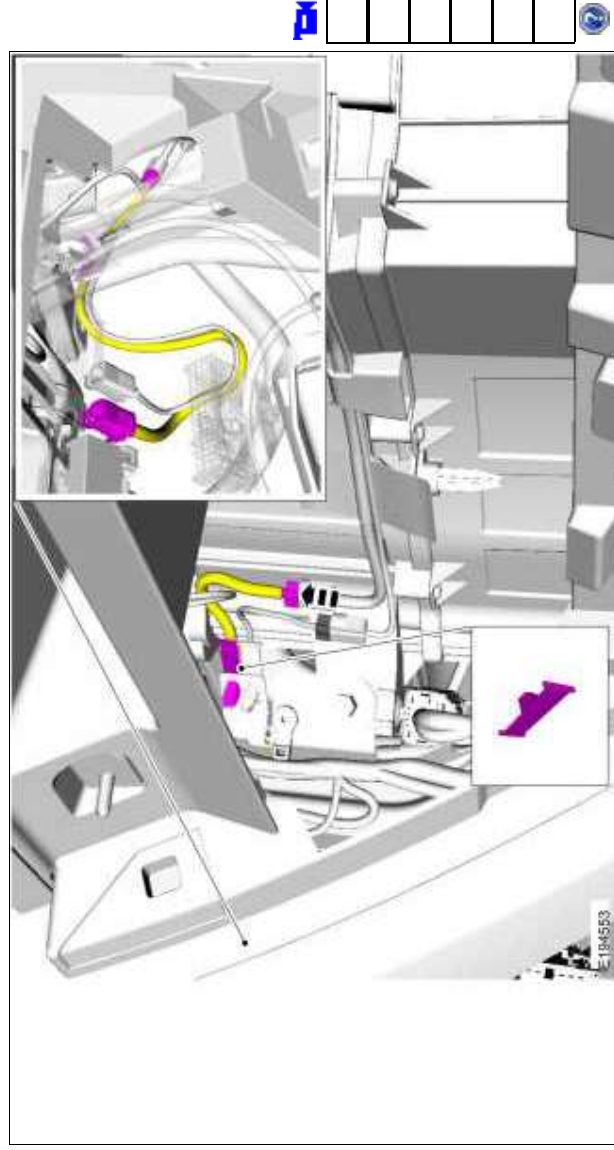
### Audio Unit Antenna Cable

#### Removal

1. Remove the ACM.  
Refer to: [Audio Front Control Module \(ACM\)](#) (415-00C Information and Entertainment System - General Information - Vehicles With: Touchscreen Display, Removal and Installation).
2. Fully lower the glove box.



3. Disconnect the antenna cable, the push pin retainer and remove the cable following the routing shown.



## **Installation**

1. To install, reverse the removal procedure.