

Brake Caliper Anchor Plate

Removal

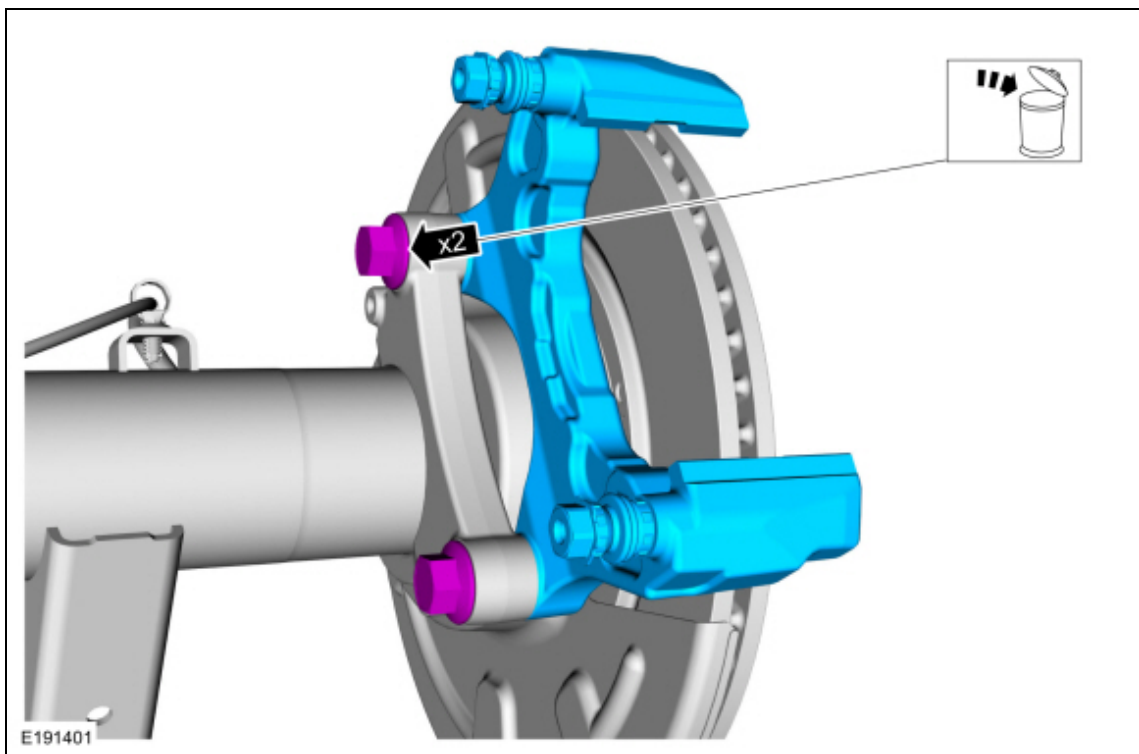
NOTE: Removal steps in this procedure may contain installation details.

All vehicles

1. Remove the brake pads.
Refer to: [Brake Pads - Vehicles Without: Electronic Parking Brake \(EPB\)](#) (206-04 Rear Disc Brake, Removal and Installation).
Refer to: [Brake Pads - Vehicles With: Electronic Parking Brake \(EPB\)](#) (206-04 Rear Disc Brake, Removal and Installation).

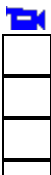
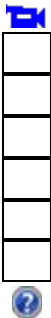
Vehicles with electronic parking brake (EPB)

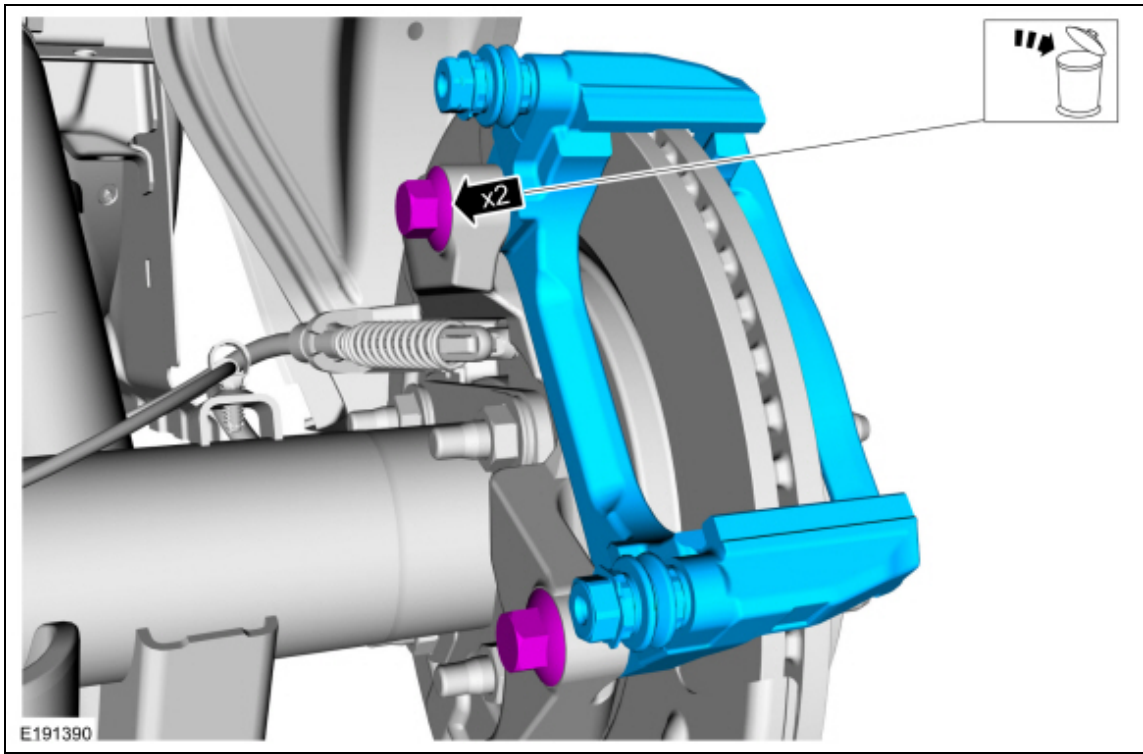
2. Remove the 2 bolts and the anchor plate. Discard the bolts
Torque: 181 lb.ft (245 Nm)



Vehicles without electronic parking brake (EPB)

3. Remove the 2 bolts and the anchor plate. Discard the bolts
Torque: 111 lb.ft (150 Nm)





Installation

1. To install, reverse the removal procedure.

