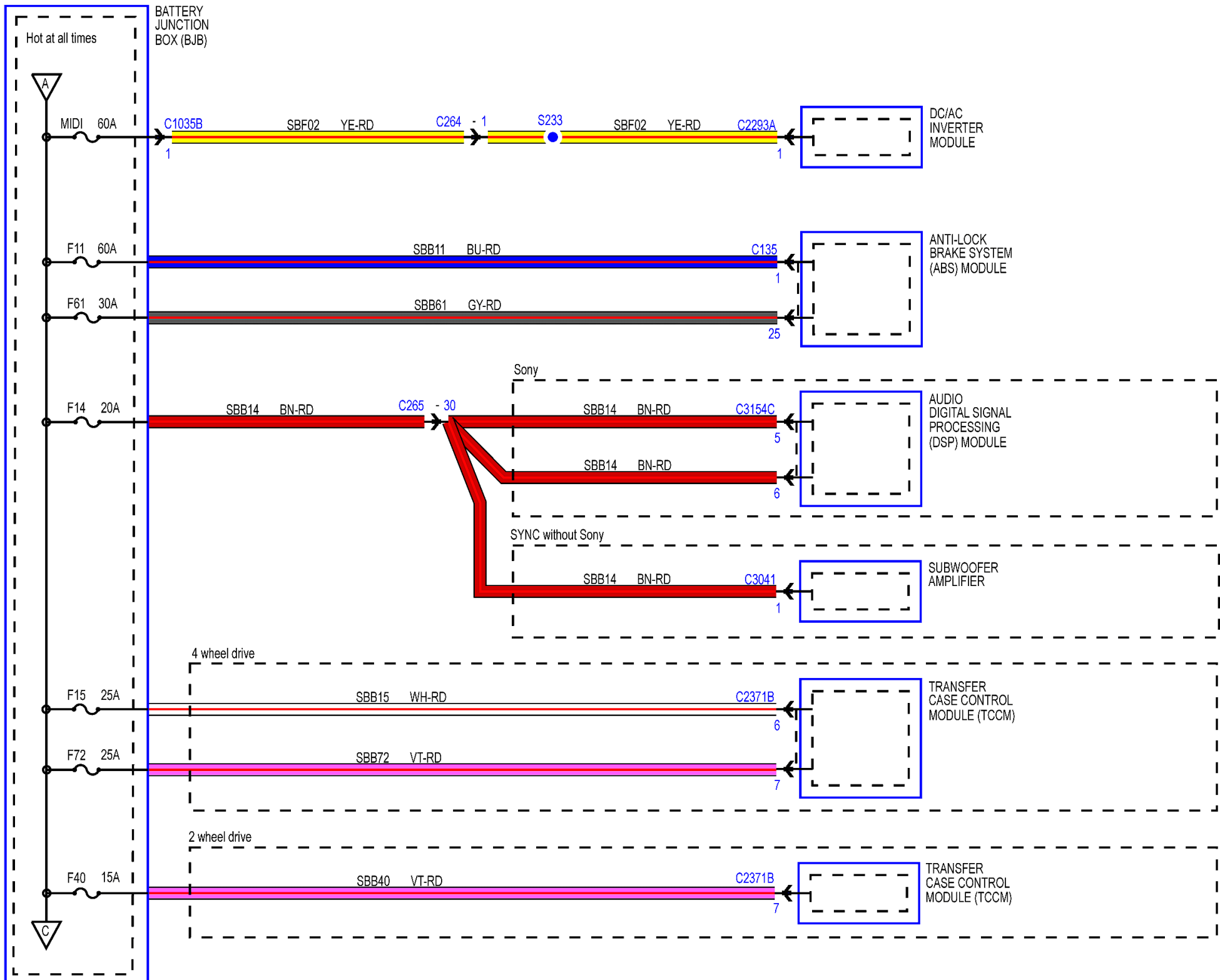


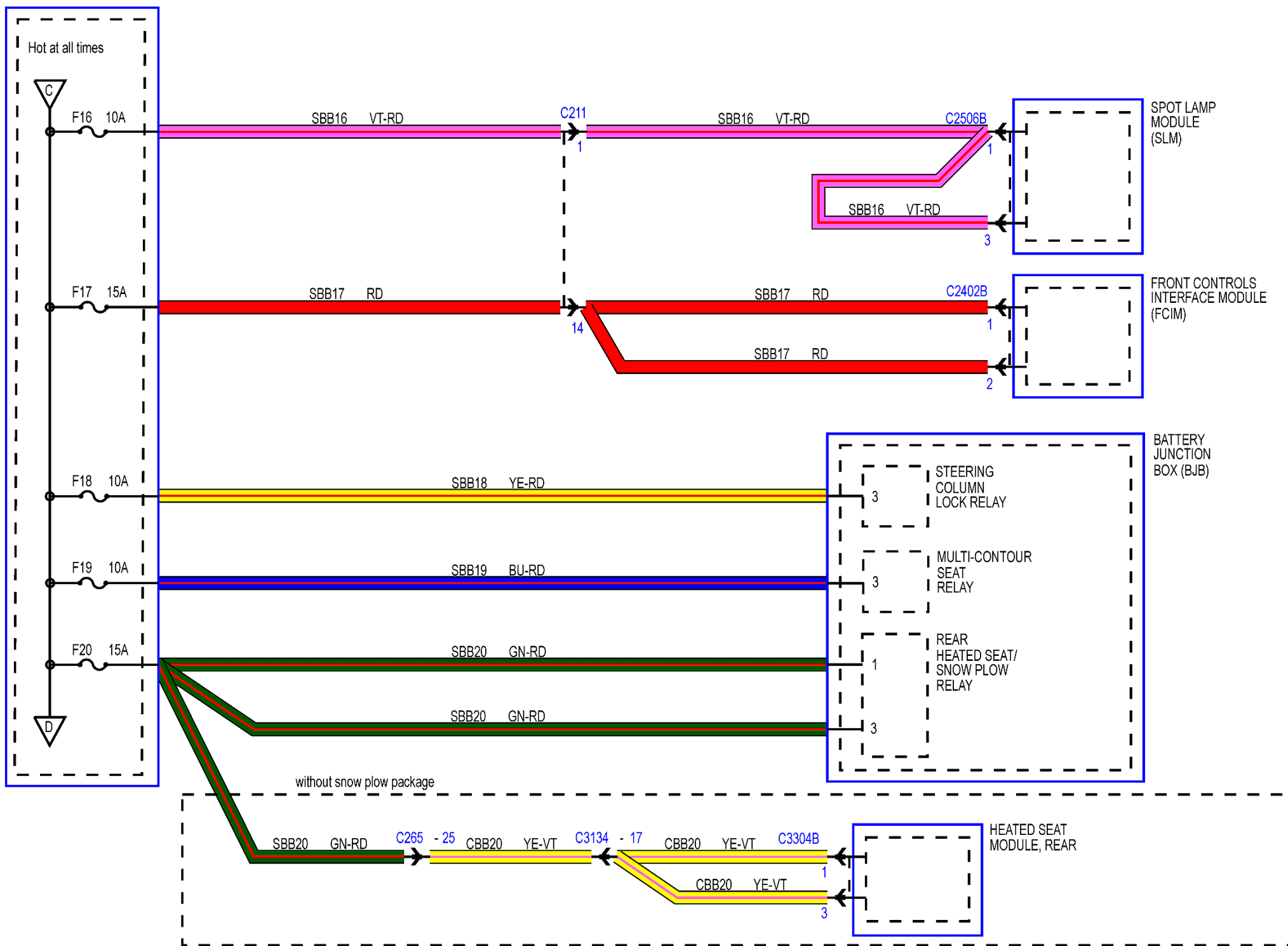


F11, F14, F15, F40, F61, F72

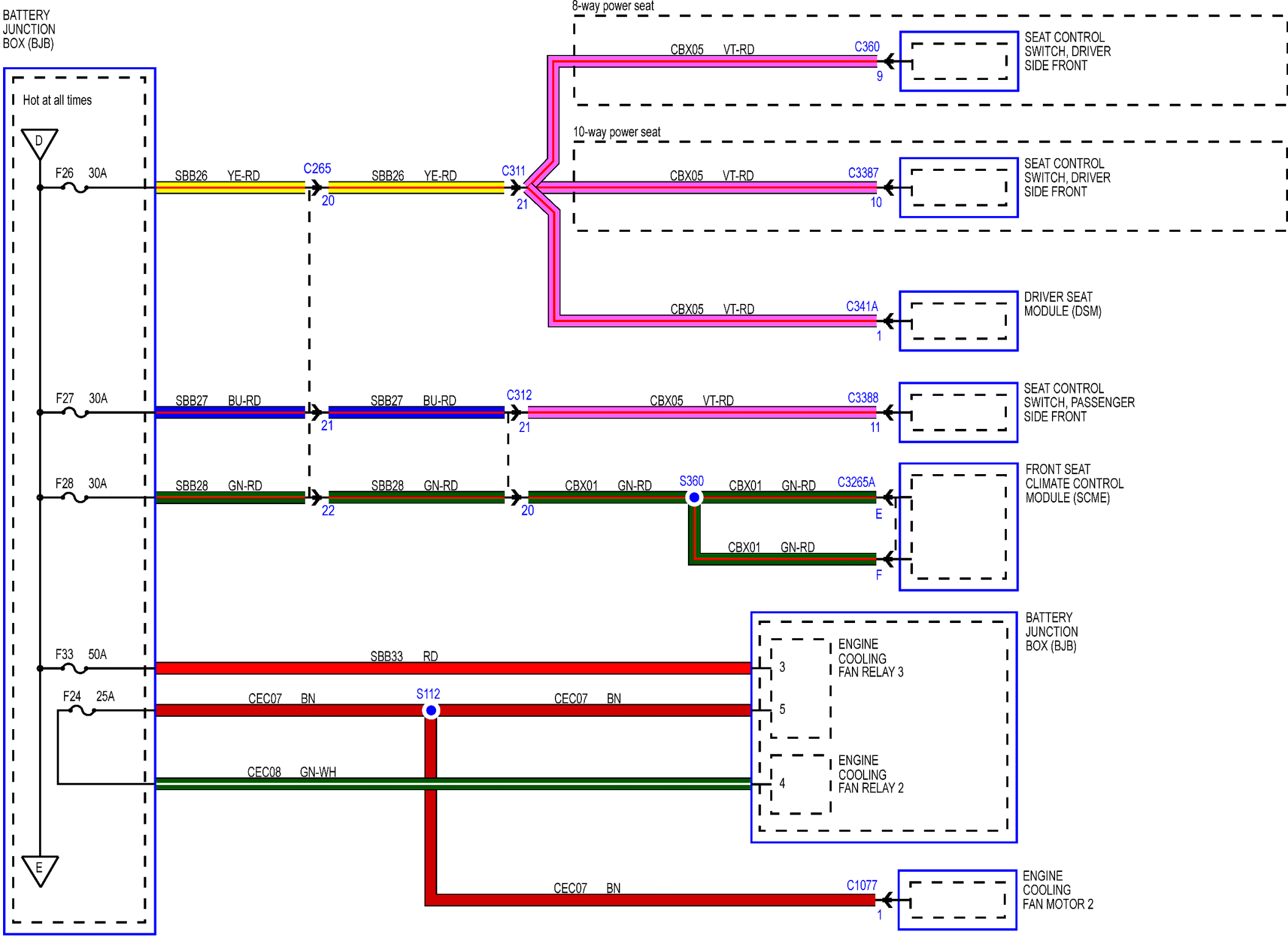


# F16, F17, F18, F19, F20

BATTERY  
JUNCTION  
BOX (BJB)

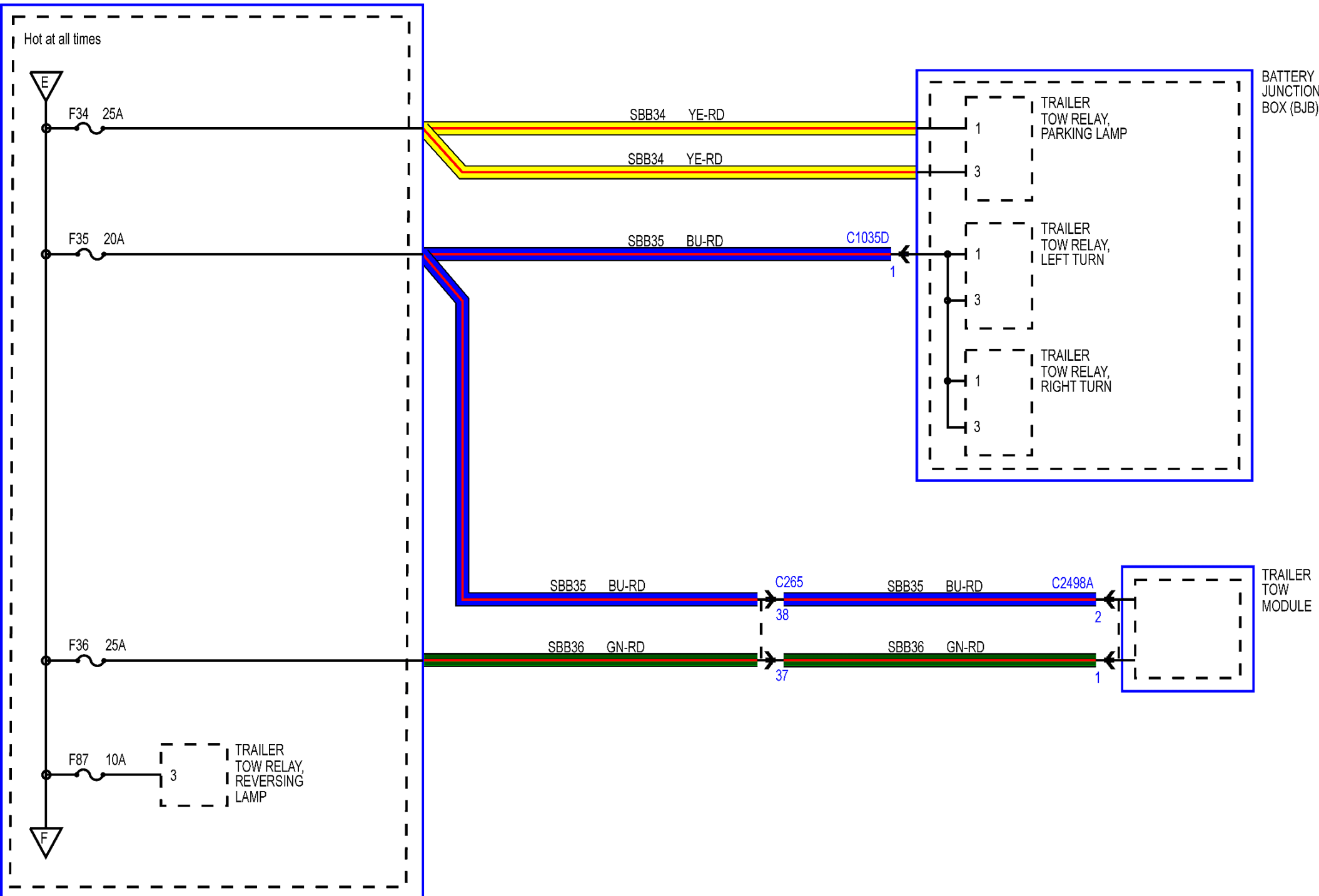


# F24, F26, F27, F28, F33



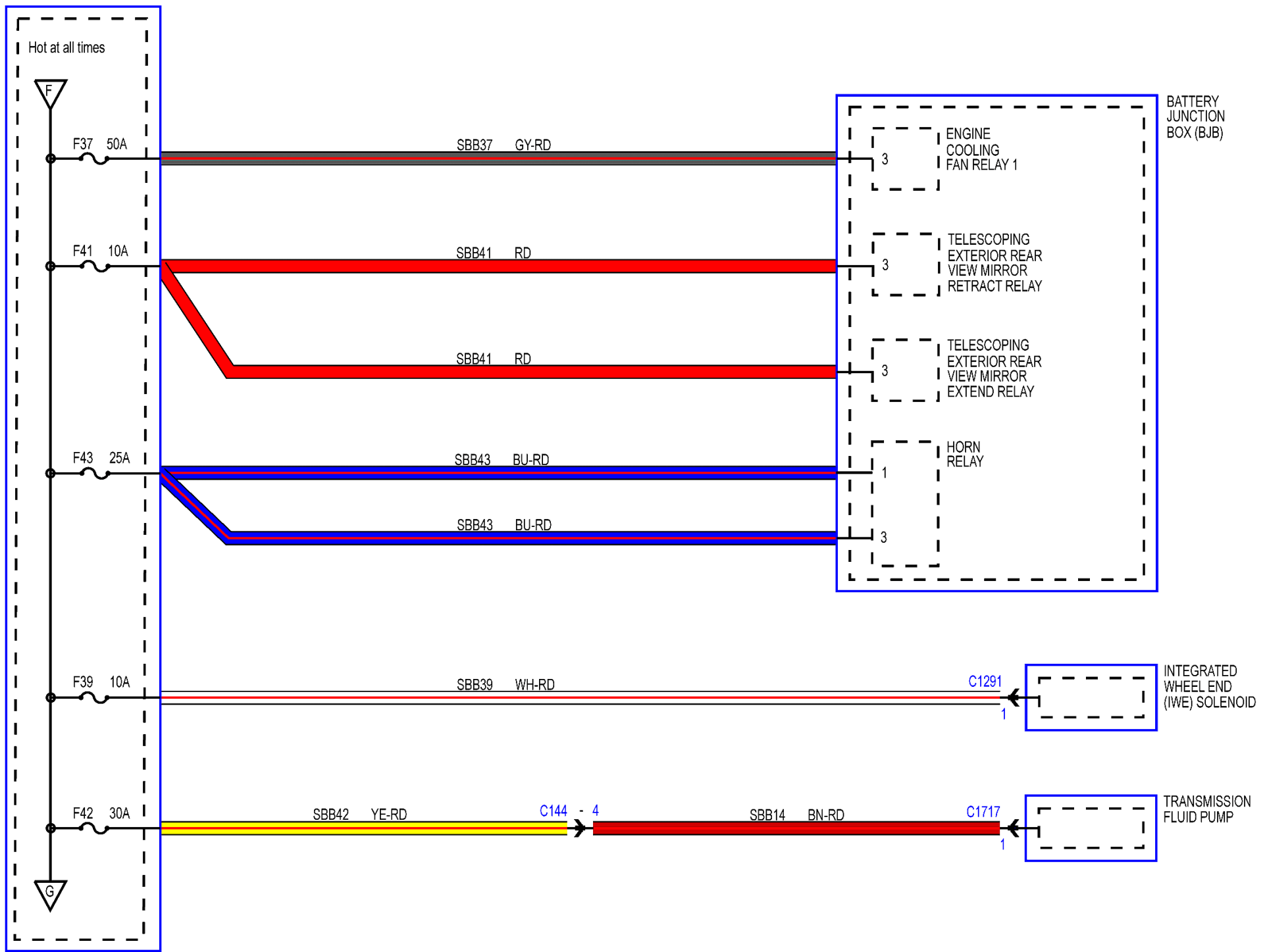
# F34, F35, F36, F87

BATTERY  
JUNCTION  
BOX (BJB)

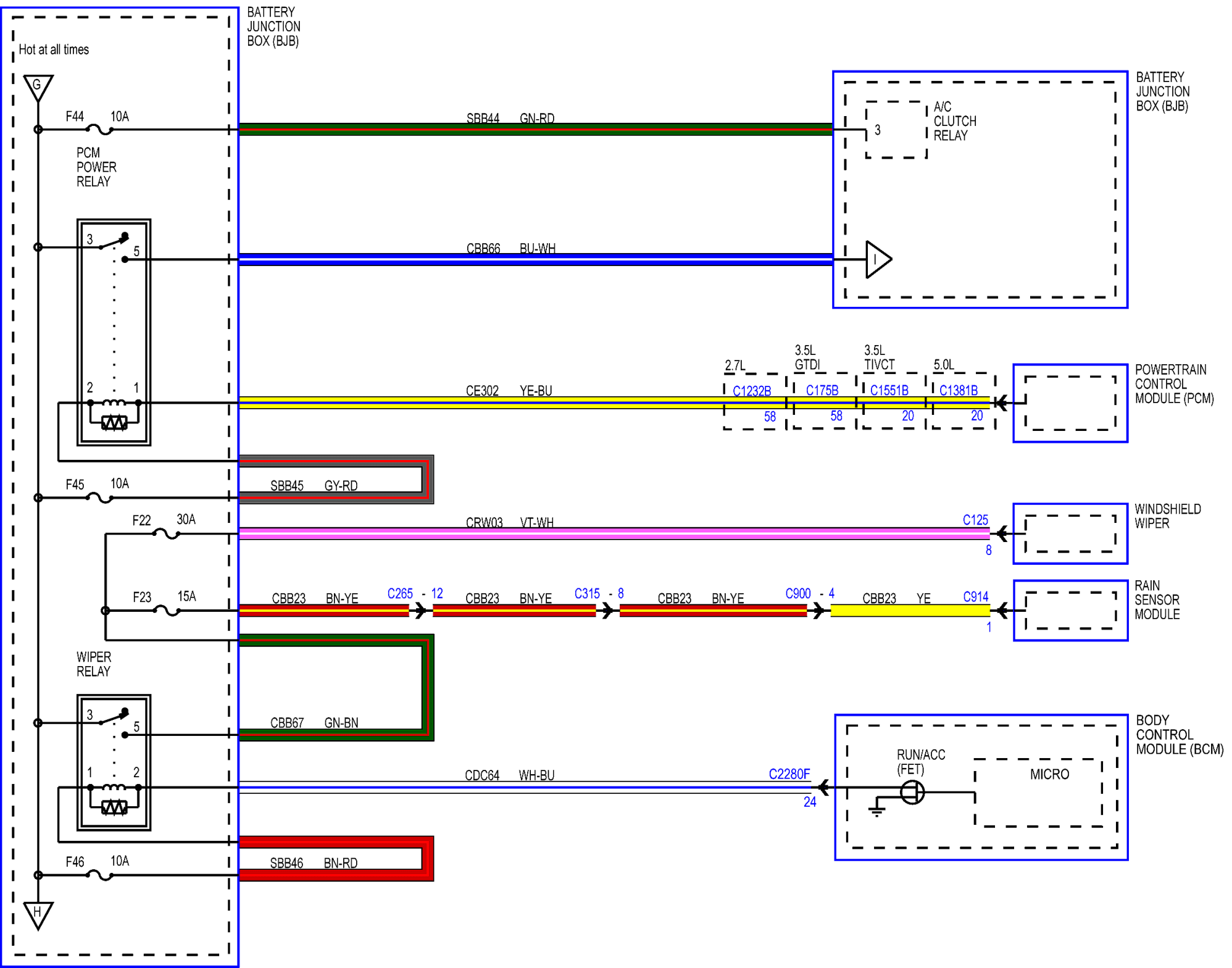


# F37, F39, F41, F42, F43

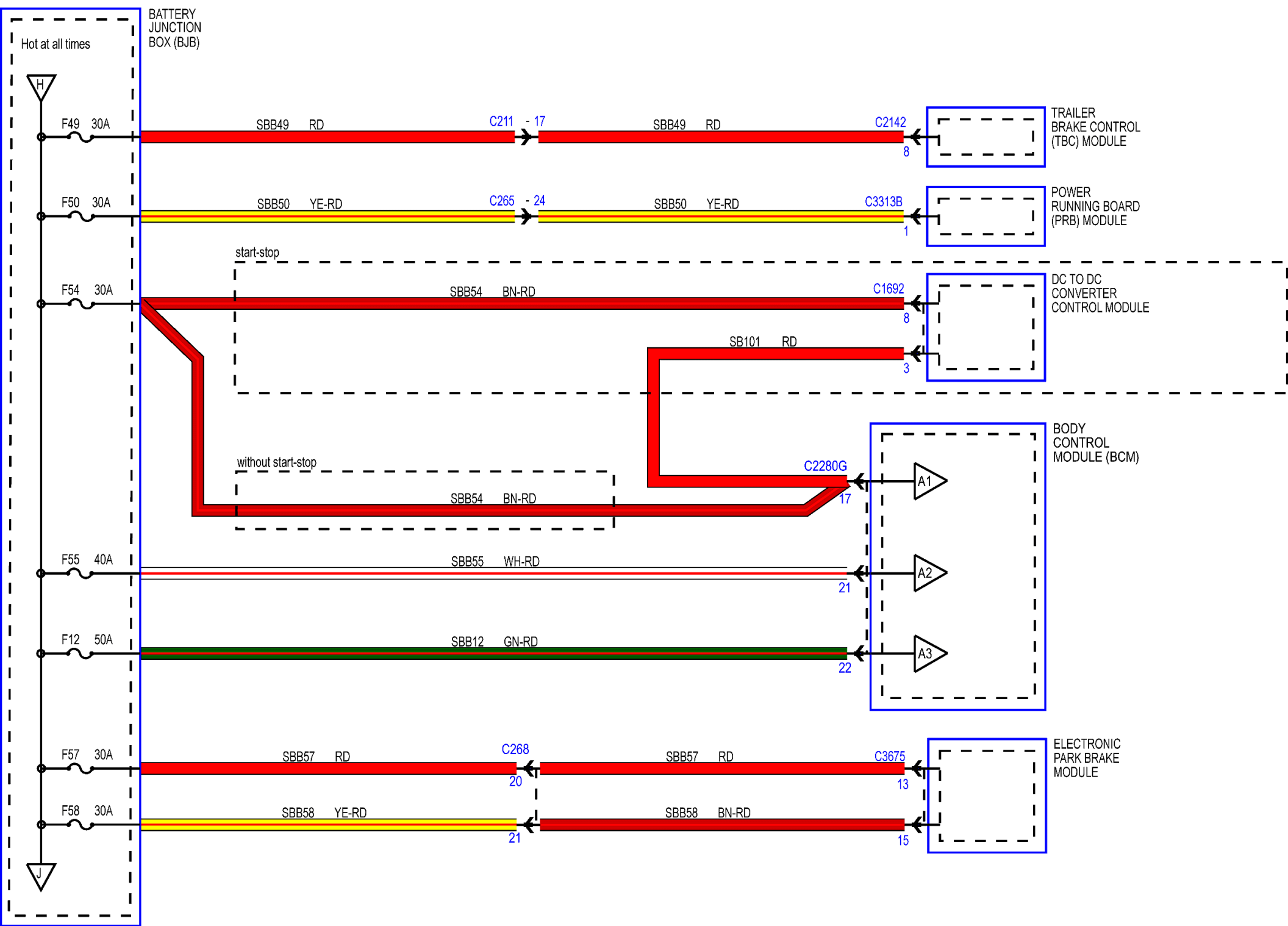
BATTERY  
JUNCTION  
BOX (BJB)



F22, F23, F44, F45, F46

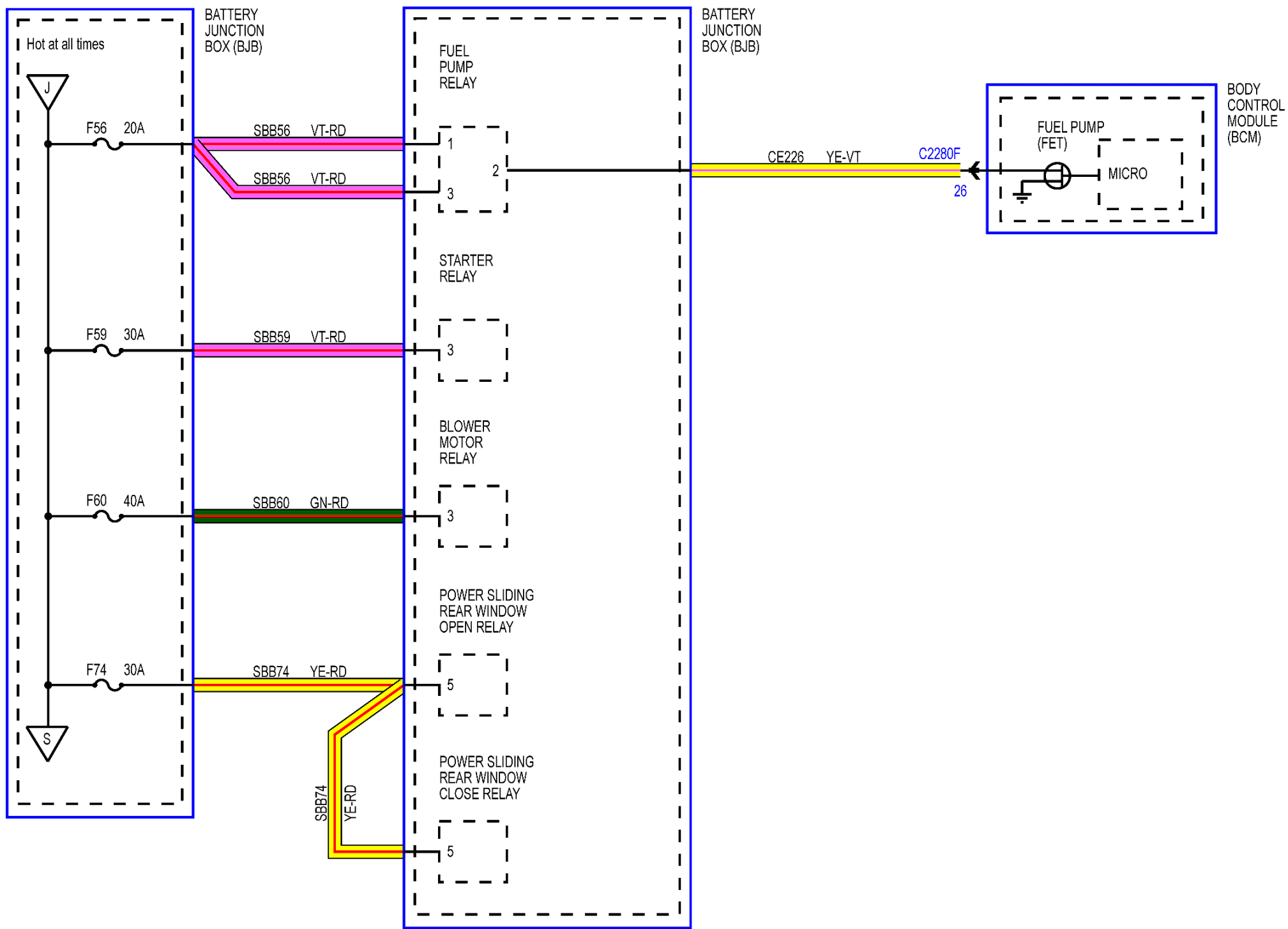


F12, F49, F50, F54, F55, F57, F58

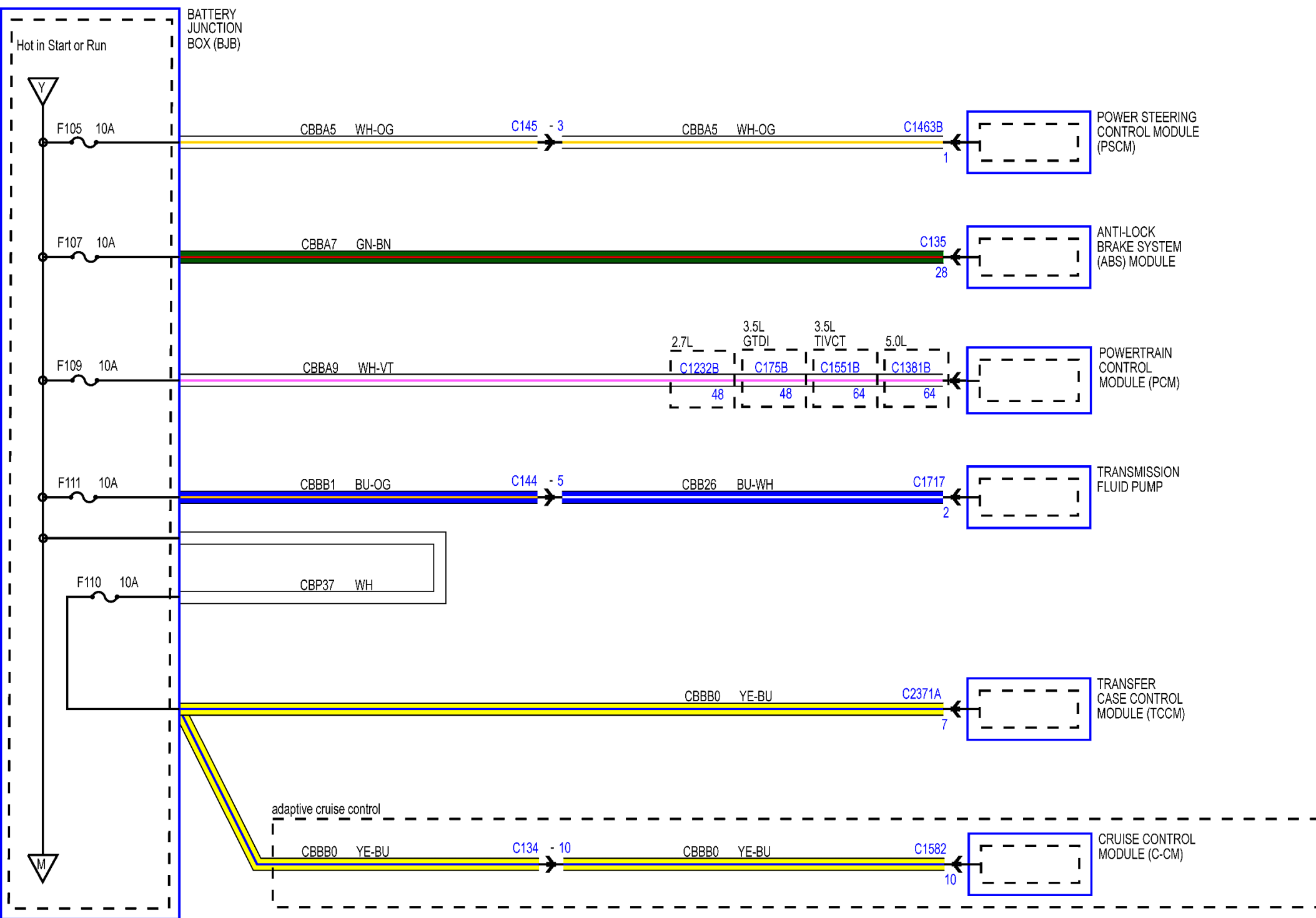




# F56, F59, F60, F74

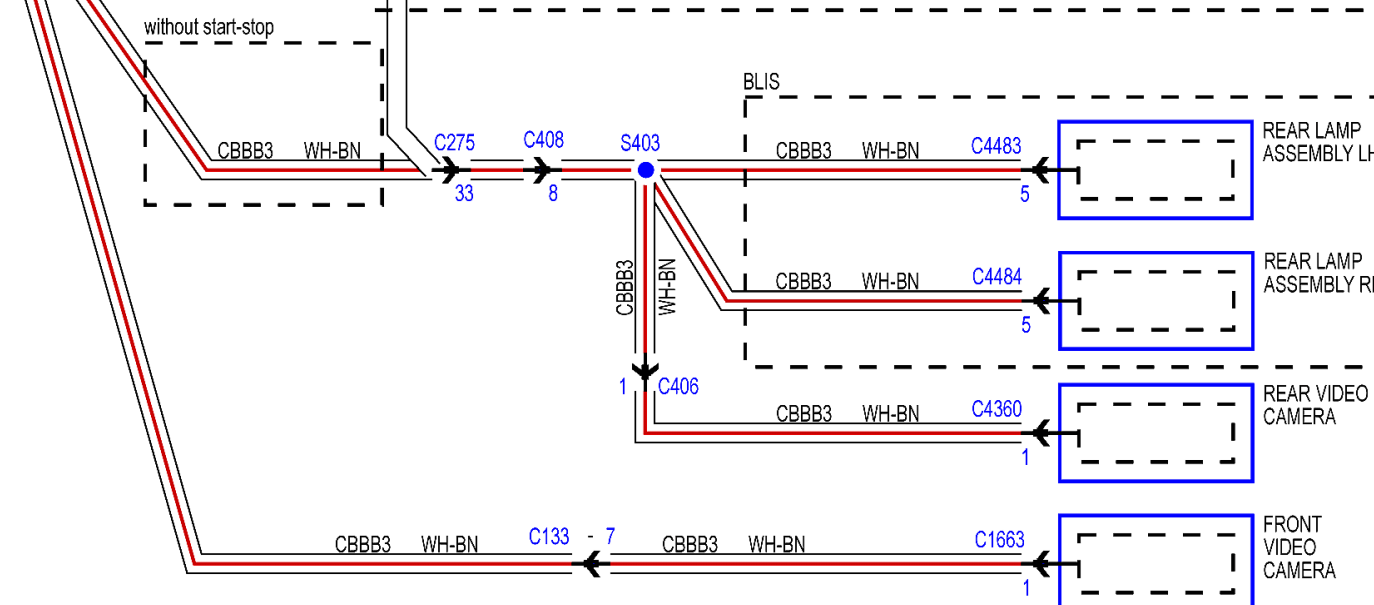
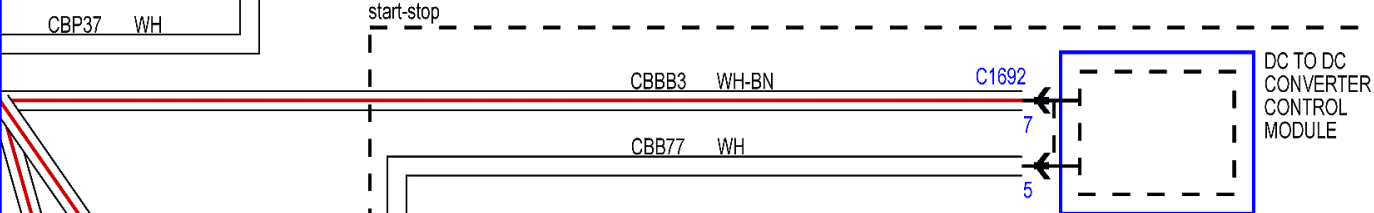
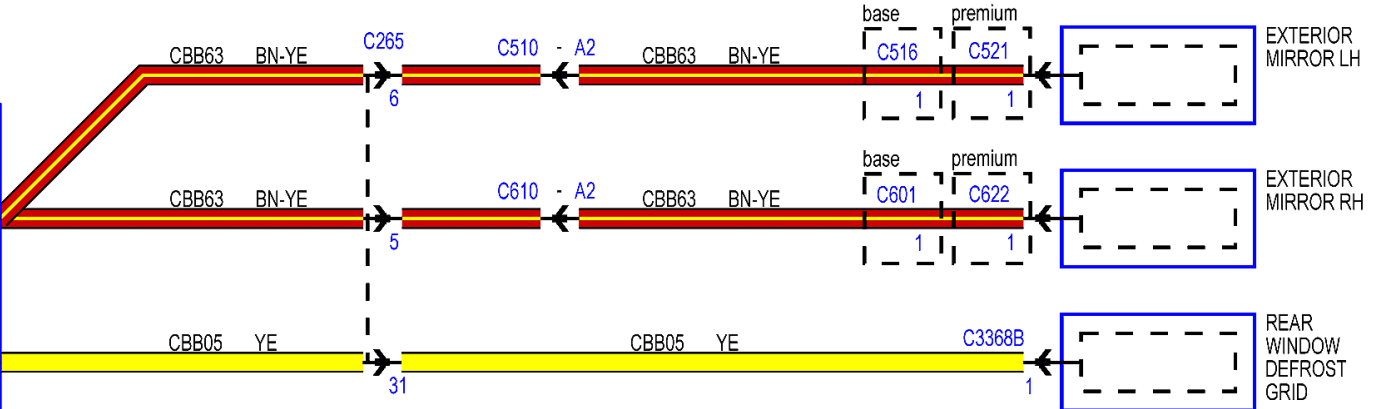
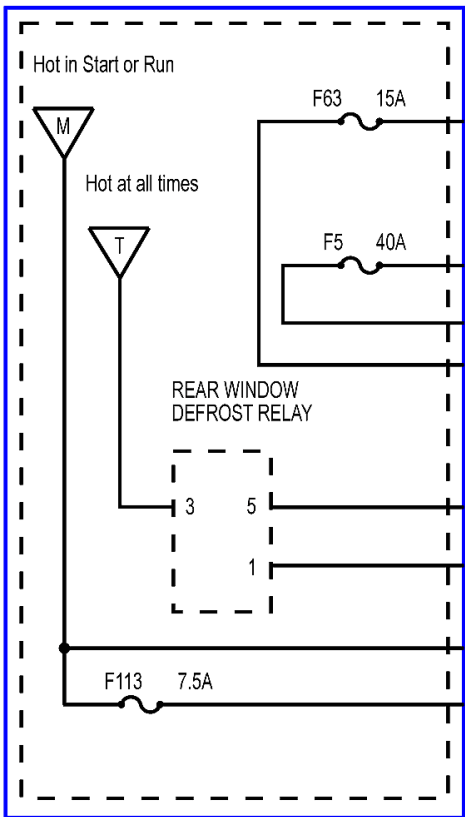


F105, F107, F109, F110, F111

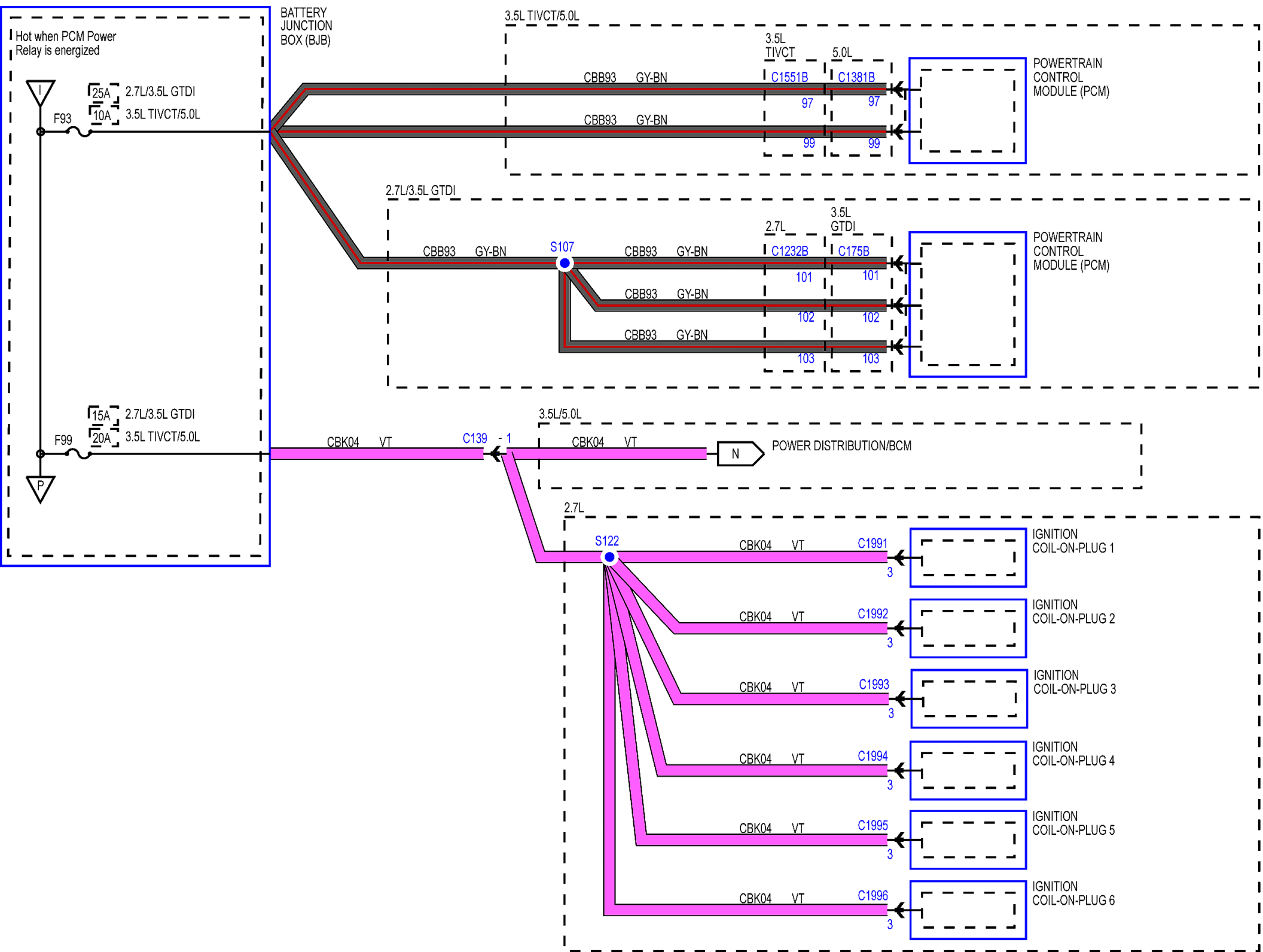


F5, F63, F113

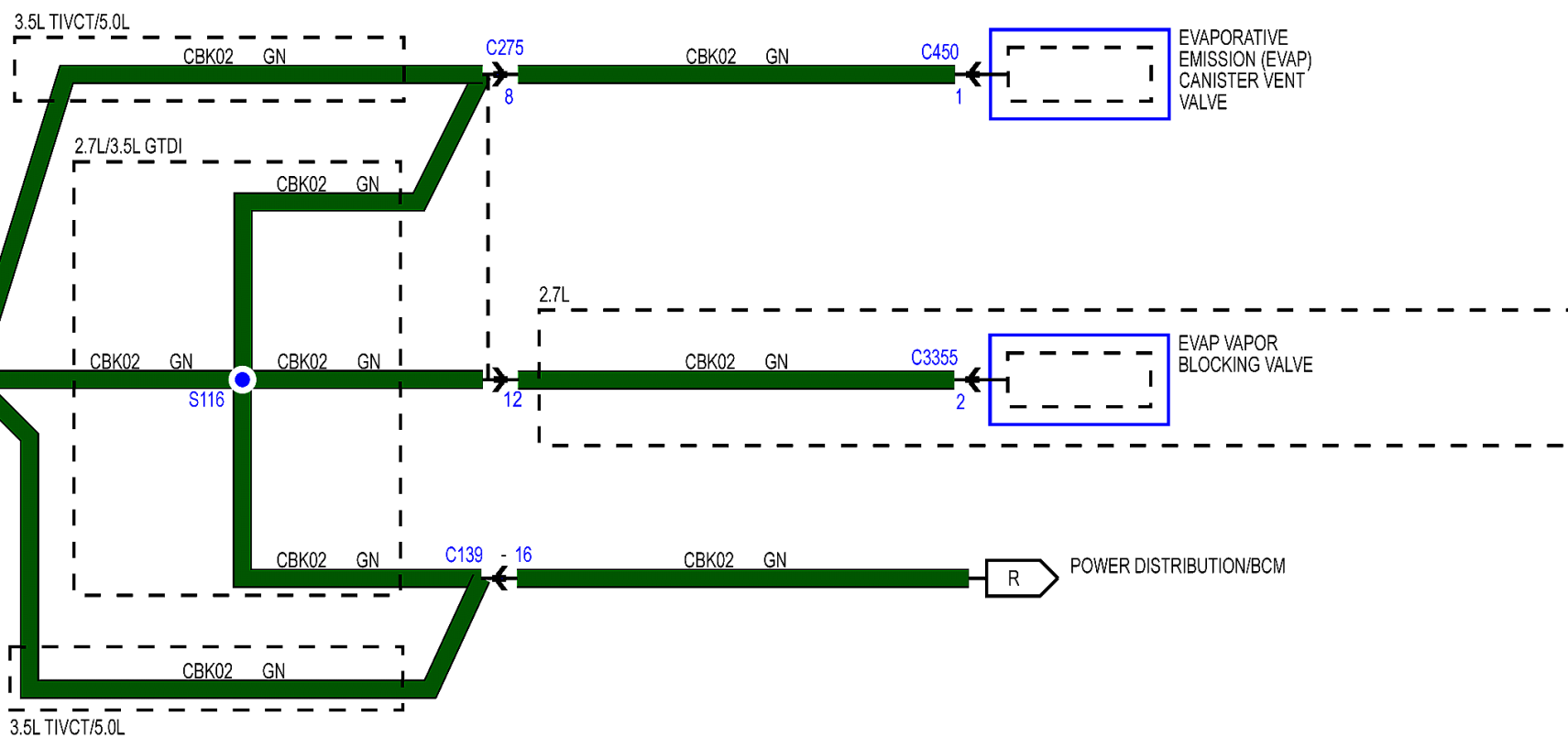
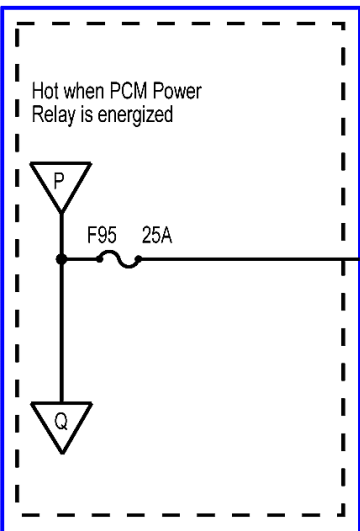
BATTERY JUNCTION BOX (BJB)



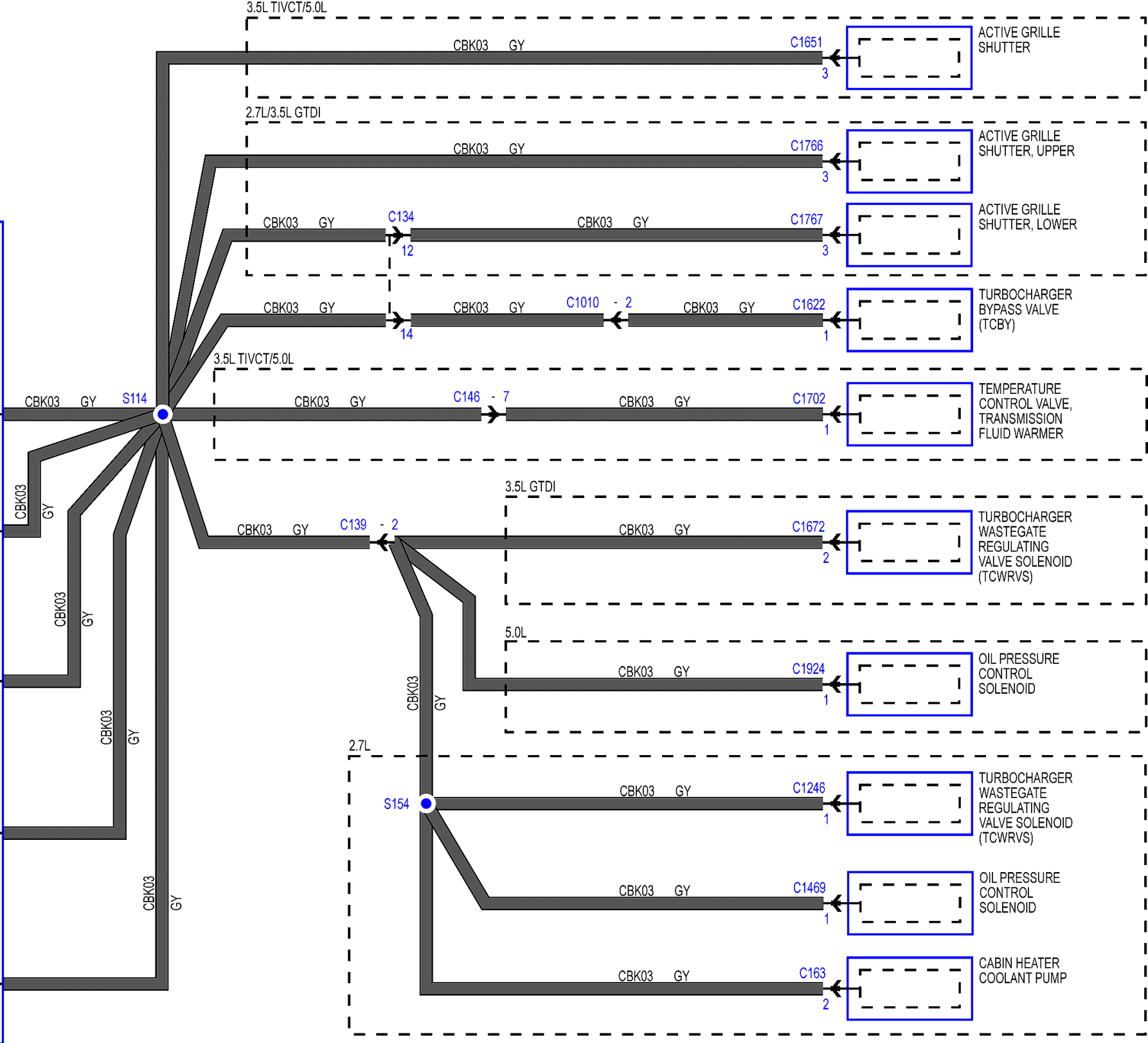
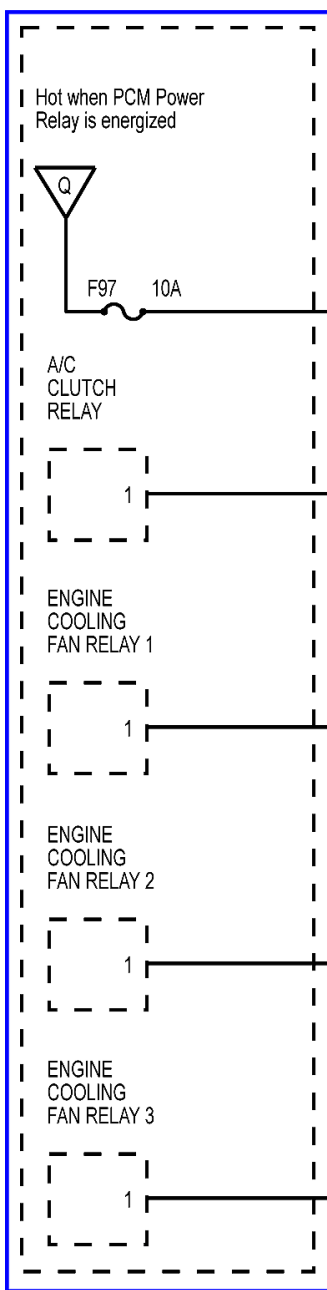
# F93, F99



BATTERY  
JUNCTION  
BOX (BJB)

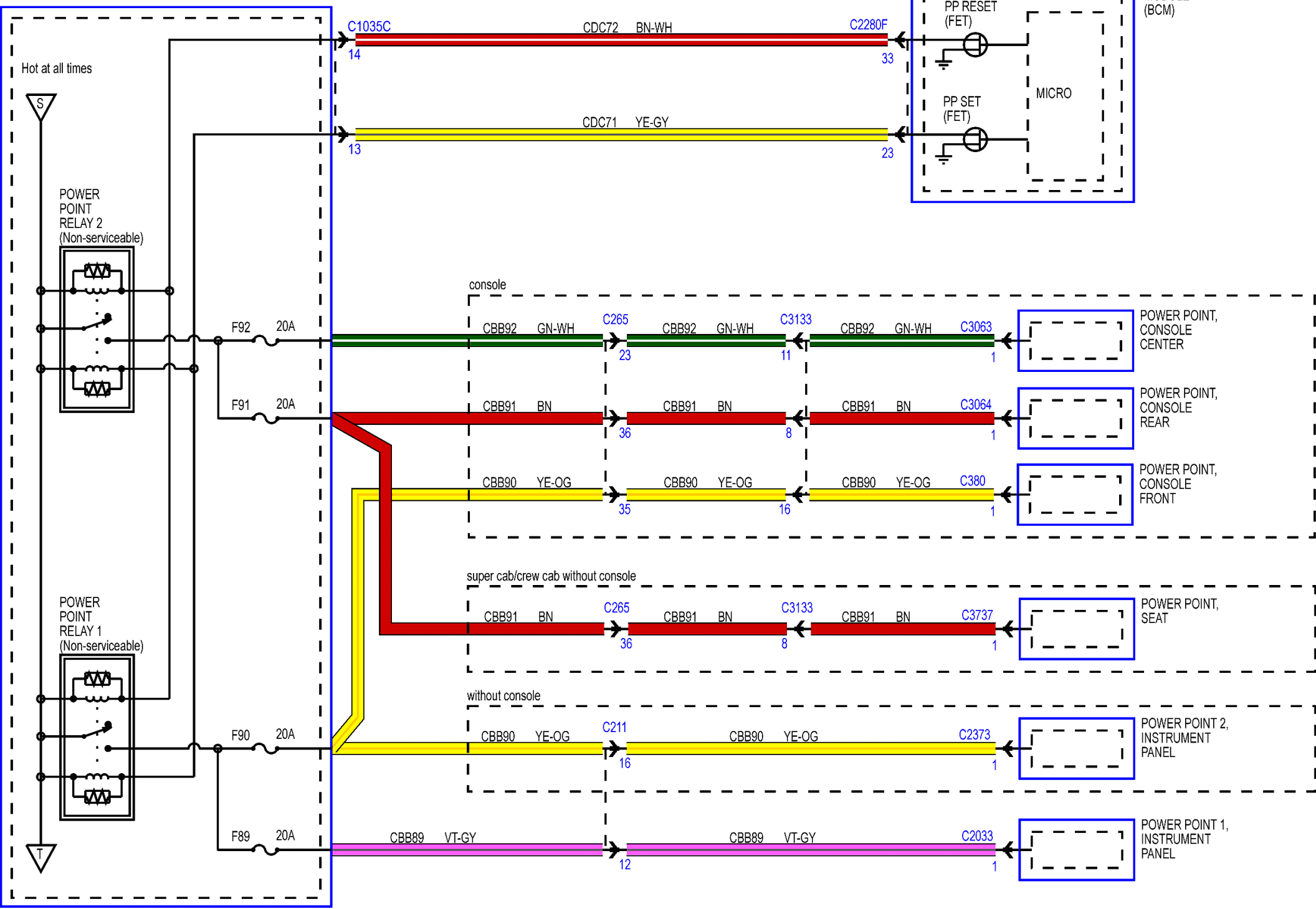


BATTERY  
JUNCTION  
BOX (BJB)

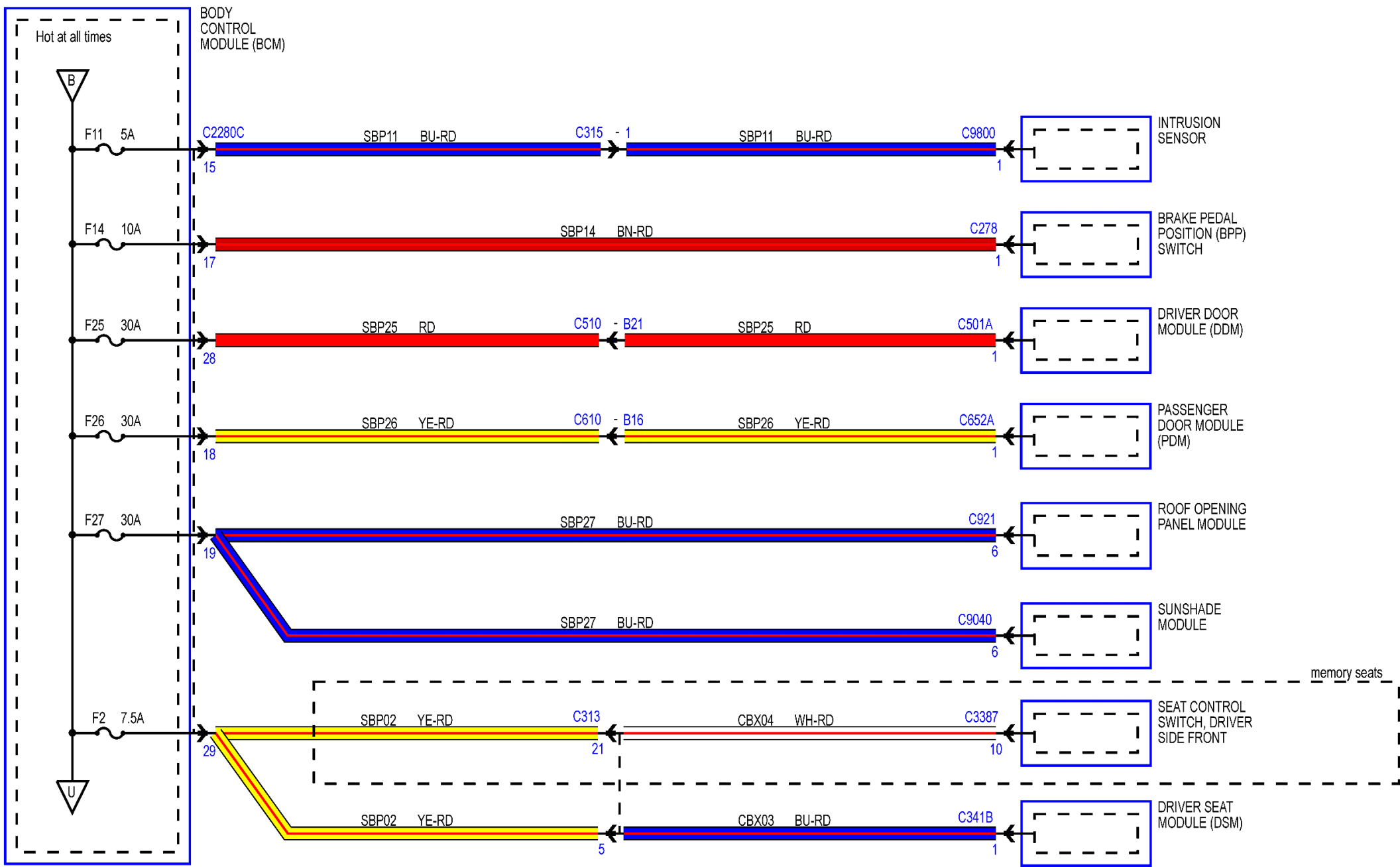


# F89, F90, F91, F92

BATTERY  
JUNCTION  
BOX (BJB)

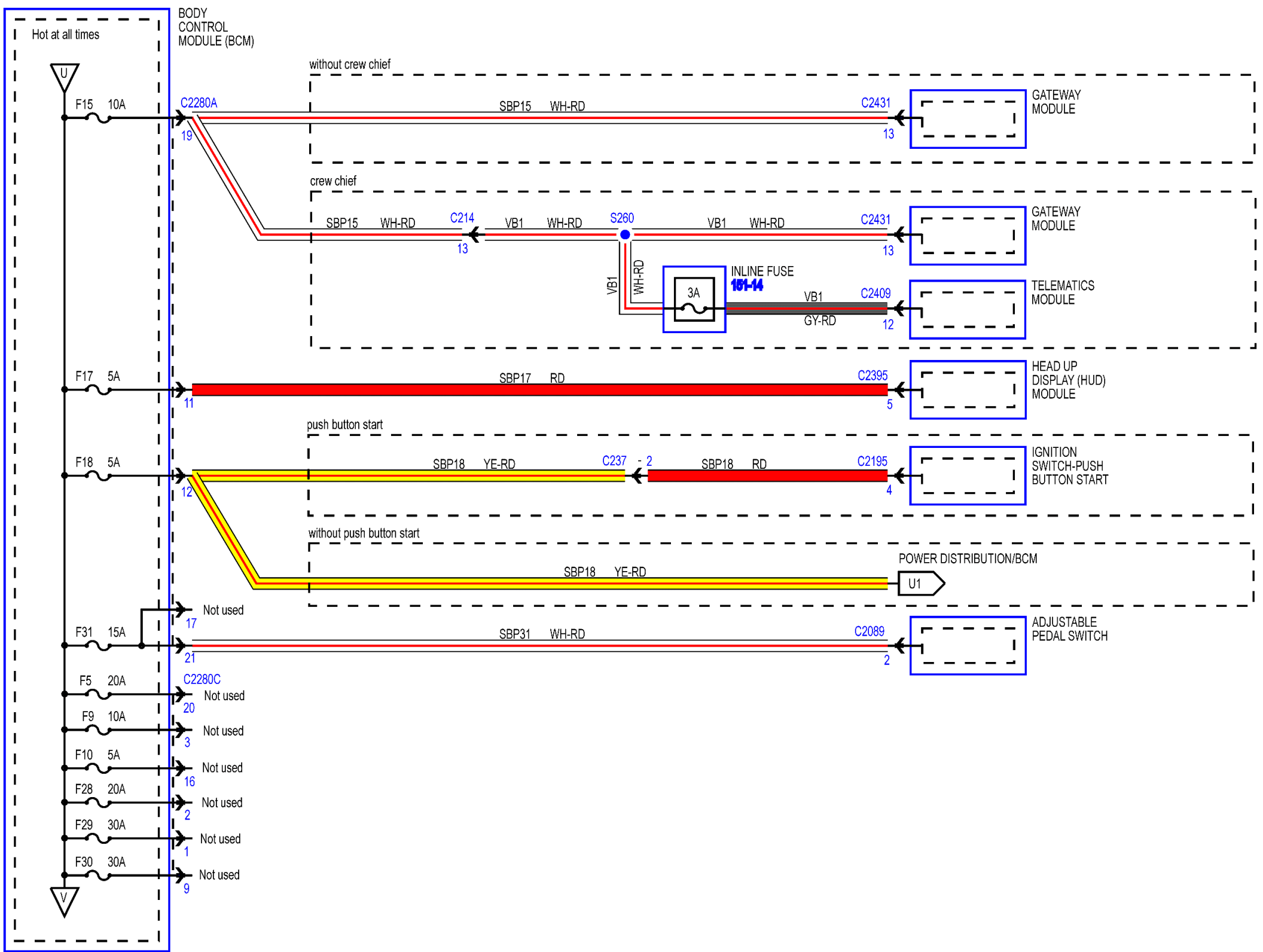


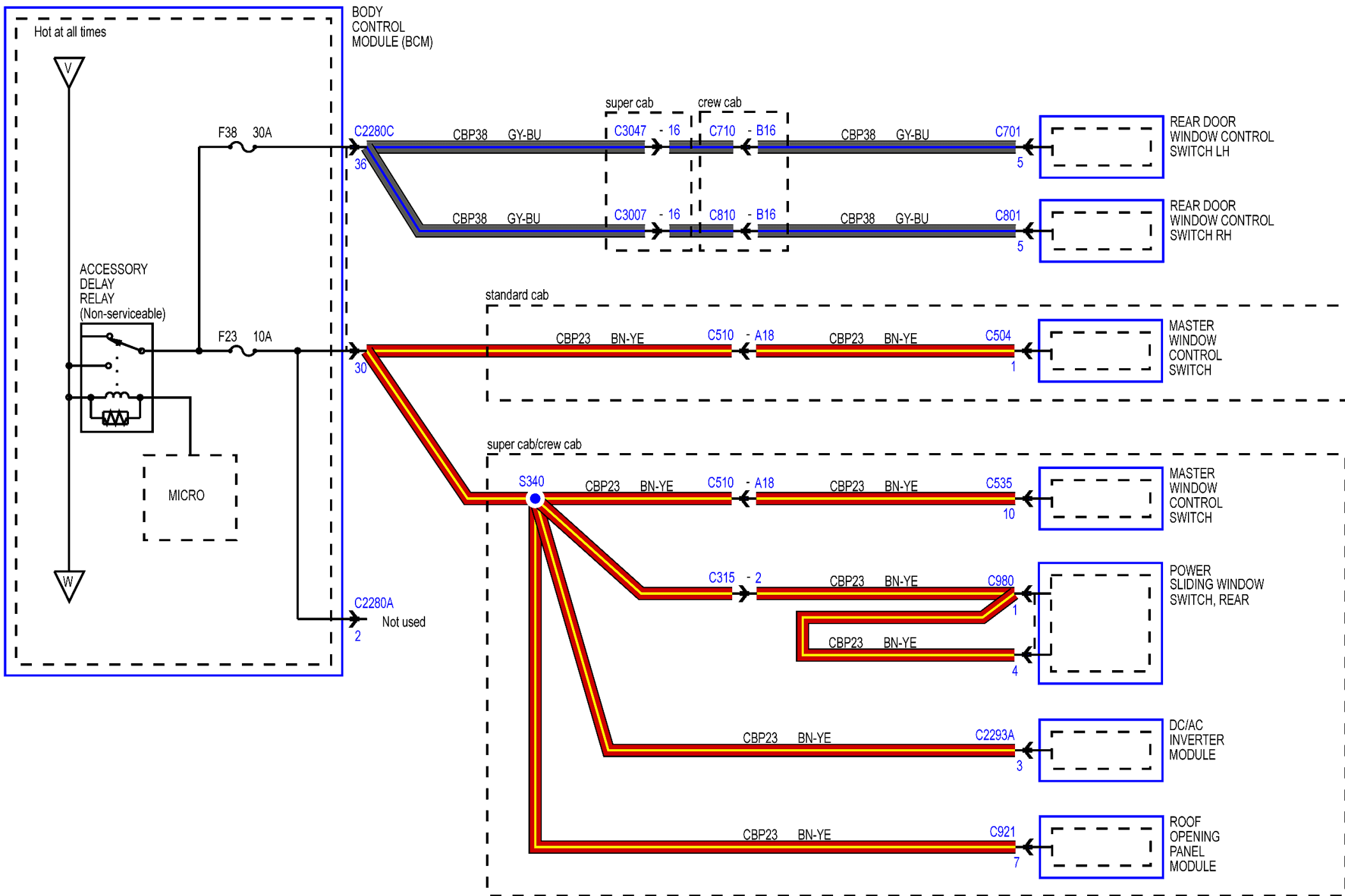
F2, F11, F14, F25, F26, F27

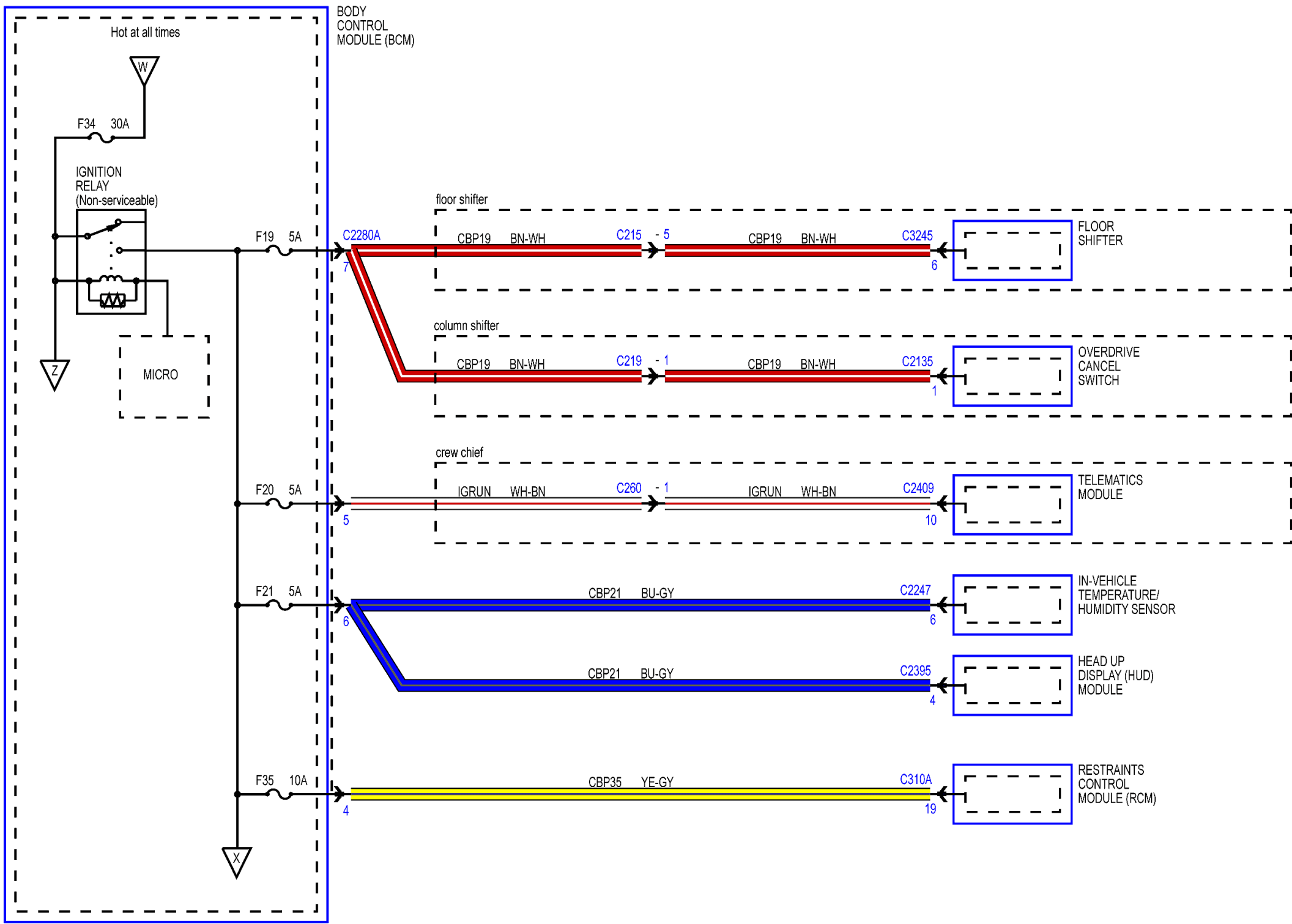




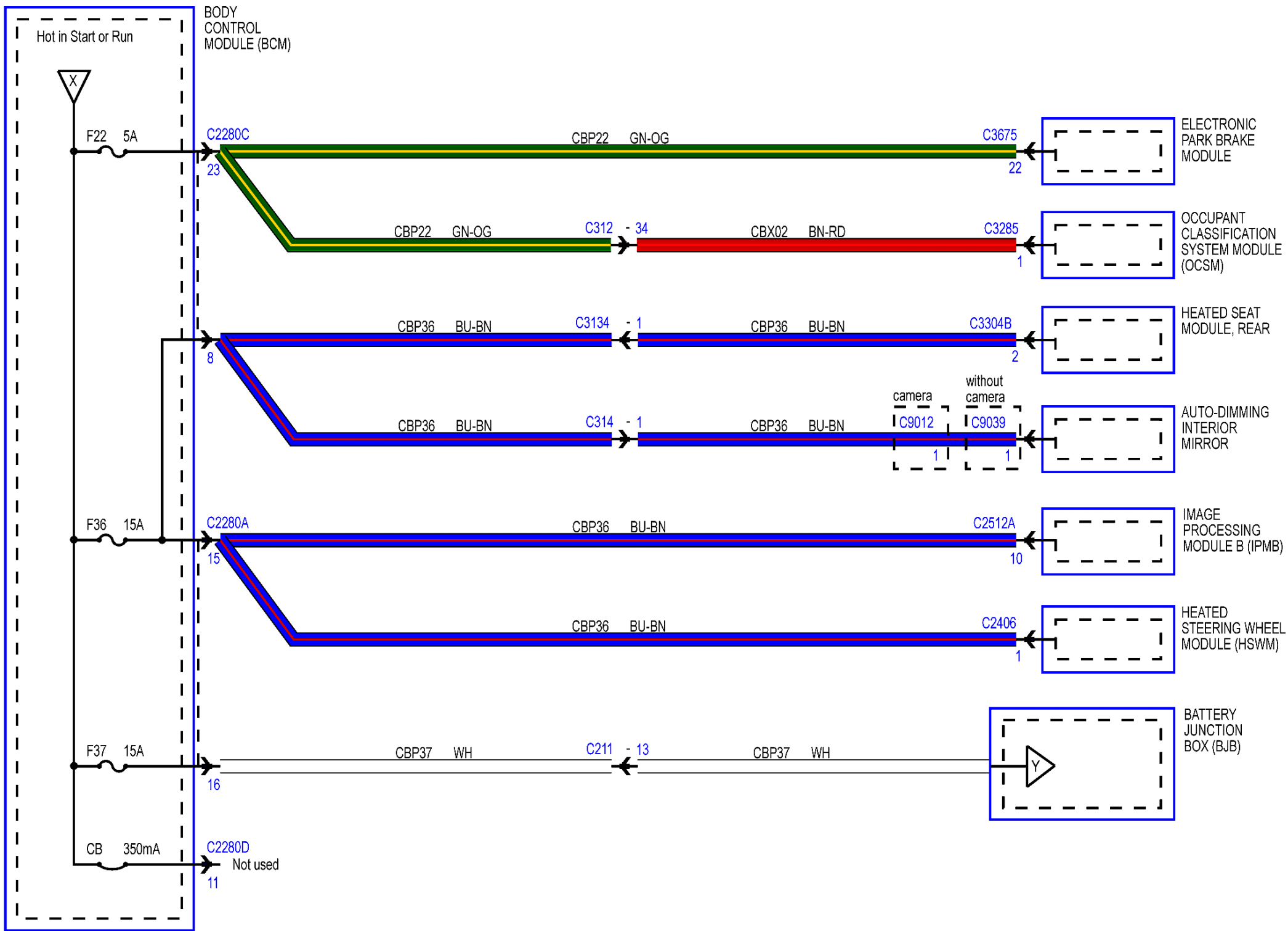
F5, F9, F10, F15, F17, F18, F28, F29, F30, F31





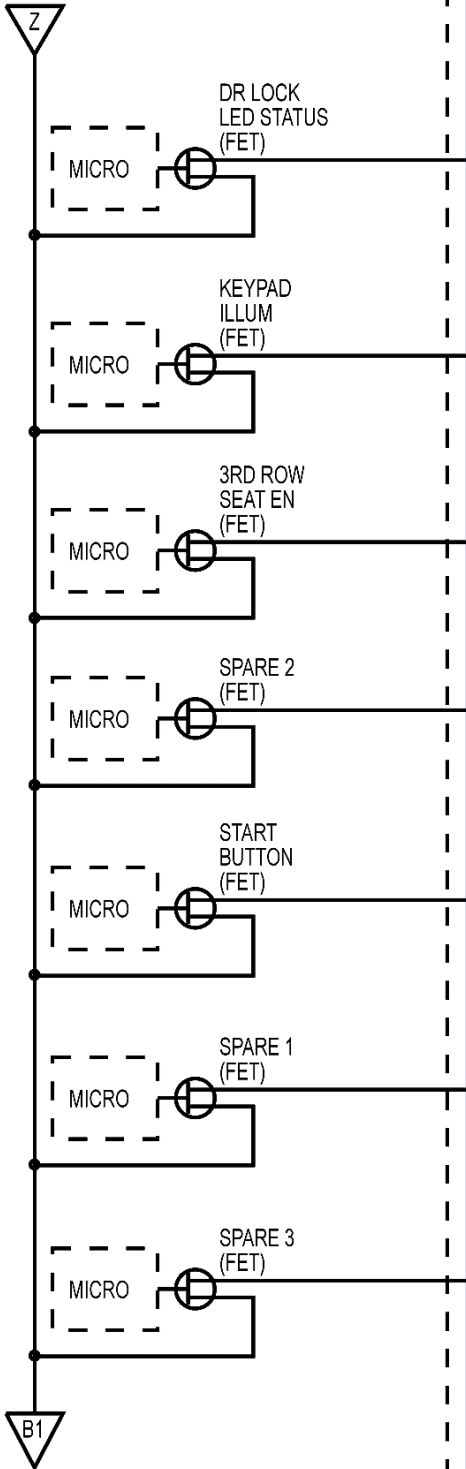


F22, F36, F37



Hot at all times

BODY CONTROL MODULE (BCM)



C2280E  
10 Not used

35

11

22 Not used

C2280B  
39

32 Not used

11 Not used

CPK28 WH

C510 - B5

CPK28 WH-GN

C500

2

CLF76 GY

C212 - 6

CLF76 GY

C2506B

2

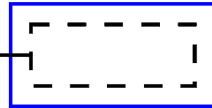
C2280B CPK36 VT

C237 - 5

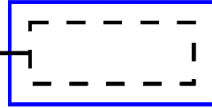
CPK36 VT

C2195

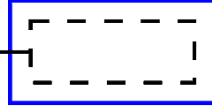
2



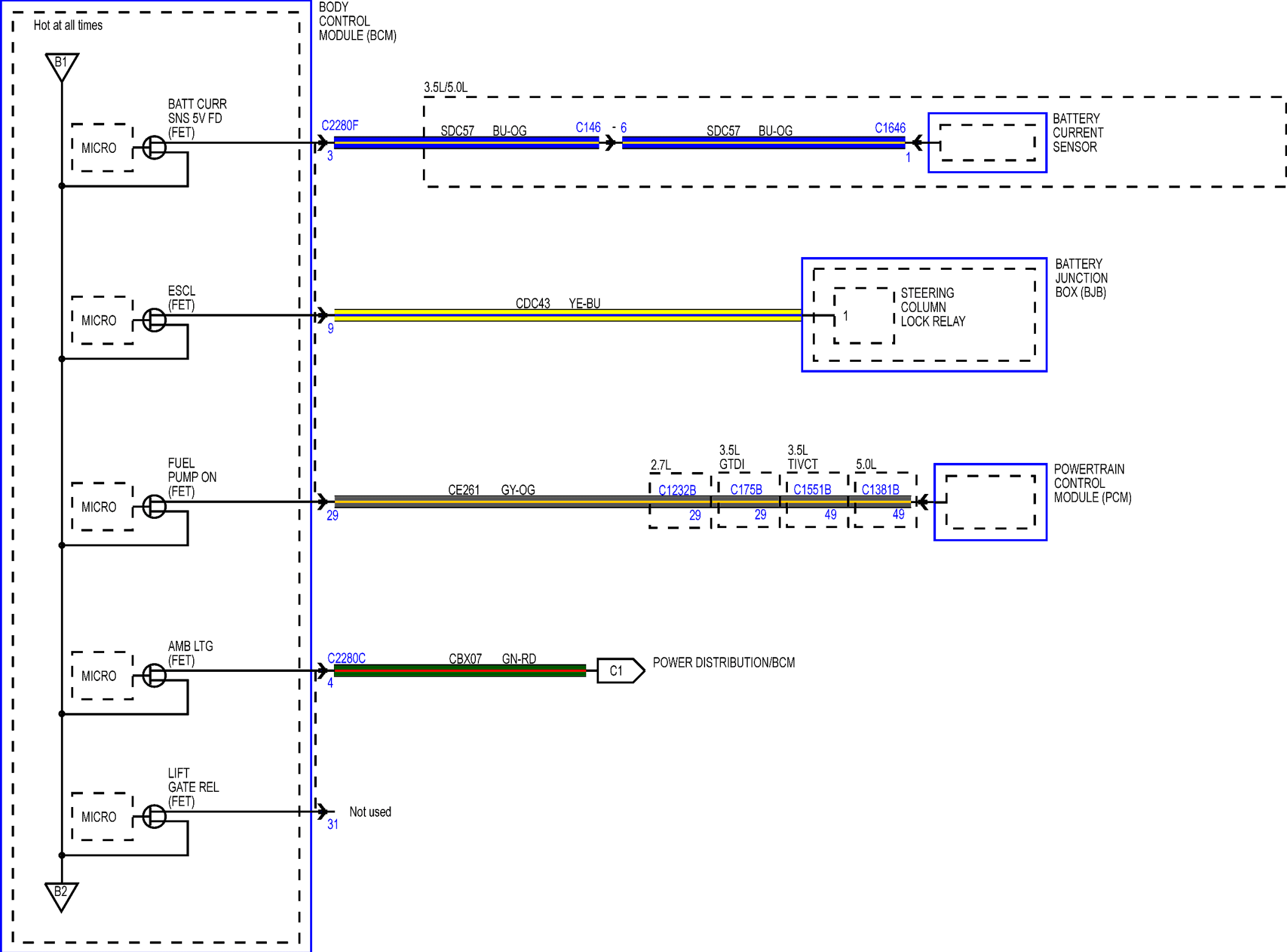
KEYLESS ENTRY KEYPAD

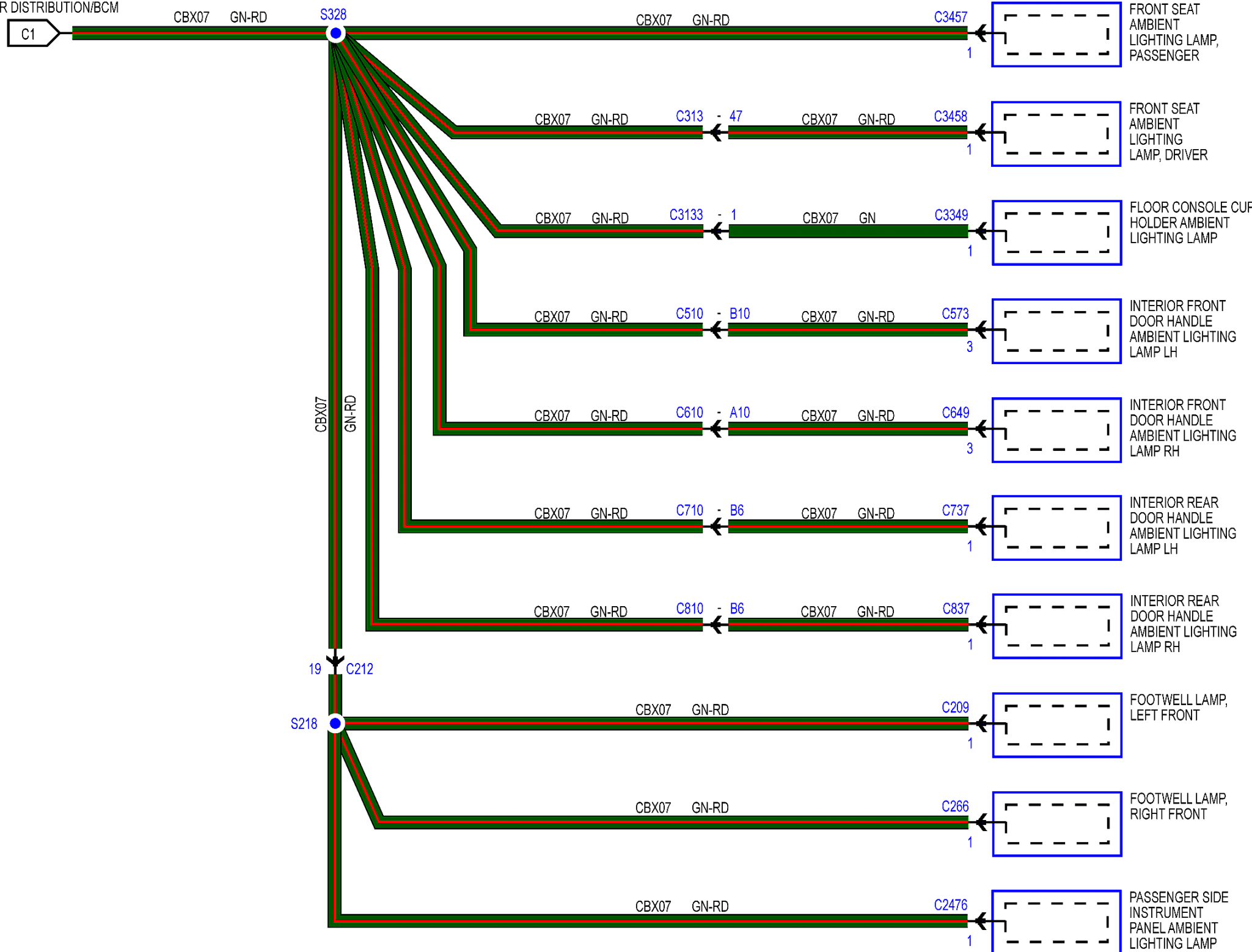


SPOT LAMP MODULE (SLM)



IGNITION SWITCH-PUSH BUTTON START





BODY CONTROL MODULE (BCM)

Hot at all times

