



Mega Seal Tailgate Seal by Advantage LIMITED WARRANTY

All Ford part numbers provided by Advantage Truck Accessories, Inc. are warranted to be from defects in materials or workmanship on products properly installed per the installation instructions provided with the product. This warranty covers repair or replacement of any defective product at no charge during the applicable warranty period listed below. Labor for replacement or service of defective product is not paid or reimbursed by Advantage Truck Accessories, Inc.

WARRANTY PERIOD		
	USA	OUTSIDE USA
Product which appears on New Vehicle Monroney Label (window sticker)	Coverage which matches new vehicle warranty—Ford - 3 years or 36,000 miles whichever comes first; Lincoln 4 years or 50,000 miles whichever comes first	Coverage which matches new vehicle warranty —Ford - 3 years or 60,000 kilometers whichever comes first; Lincoln 4 years or 80,000 km whichever comes first
Part purchased and installed during or after the original vehicle warranty	Whichever of the following options which provides the greater benefit to the customer: 1) 2 years / unlimited miles or 2) The remainder of the new vehicle warranty	Whichever of the following options which provides the greater benefit to the customer: 1) 2 years / unlimited kilometers or 2) The remainder of the new vehicle warranty

This limited warranty does not cover any damage, defect or malfunction caused by misuse, abuse, accident, improper installation, modification or improper or lack of maintenance. Incidental and consequential damages are not recoverable under this warranty. This warranty offers you specific legal rights. You may have additional or other rights as which vary from state to state or province to province.

If you experience a warranty issue with this product please visit your Ford dealer. If the repair is covered by the warranty above and completed by the dealership, labor is also covered by Ford — Ford Warranty and Policy — Section 3.

Please note that Advantage Truck Accessories, Inc. has replacement component parts available to assist consumers and dealers to resolve warranty and non-warranty issues as quickly as possible.

NOTE TO DEALER: Ford dealers should contact Advantage Truck Accessories, Inc. by phone at 844-277-2622 and ask to speak to the warranty administrator or by email to: warranty@AdvantageTruckAccessories.com



TAILGATE SEAL INSTALL SHEET

READ AND UNDERSTAND ALL INSTRUCTIONS FIRST BEFORE INSTALLATION

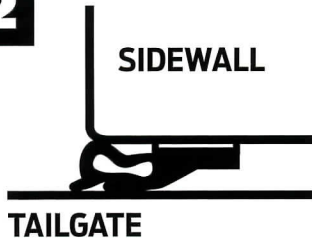
APPLY ONLY WHEN AIR & VEHICLE SURFACE TEMPERATURE IS BETWEEN 60° – 90°

1



Open tailgate and wash back of truck bed where tailgate seal is to be applied thoroughly with soap and water. Make sure surface is completely dry before installing seal. Apply alcohol wipe to edge of truck bed and tailgate surfaces before beginning install.

2



Seal to be installed on the rear face of the sidewall structure along width of tailgate and height of sidewall up to the rubber tailgate stops located just above the latch pins. When applying the seal, initially apply light pressure on the seal to allow for adjustment. When in place, then permanently affix it.

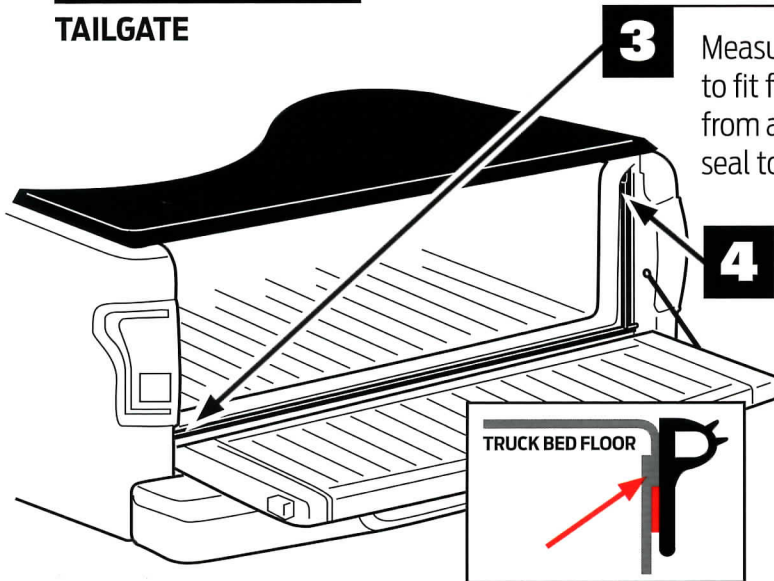
3

Measure rear face of truck bed bottom and cut tailgate seal to fit from sidewall to sidewall. Gradually remove release strip from adhesive tape as seal is being applied. Do not apply the seal to protrude above the bottom of the bed floor. (See inset)

4

Measure the cut seal for each sidewall from truck bed seal to the rubber tailgate stops located just above the latch pins.

Close the tailgate and check for even fit of seal on bottom and both sides. If necessary, reposition seal for better fit. Permanently affix the tailgate seal along its whole length. Let stand for 10 minutes before closing the tailgate to allow adhesives to set.



accessories.ford.com