



Rear Bumper

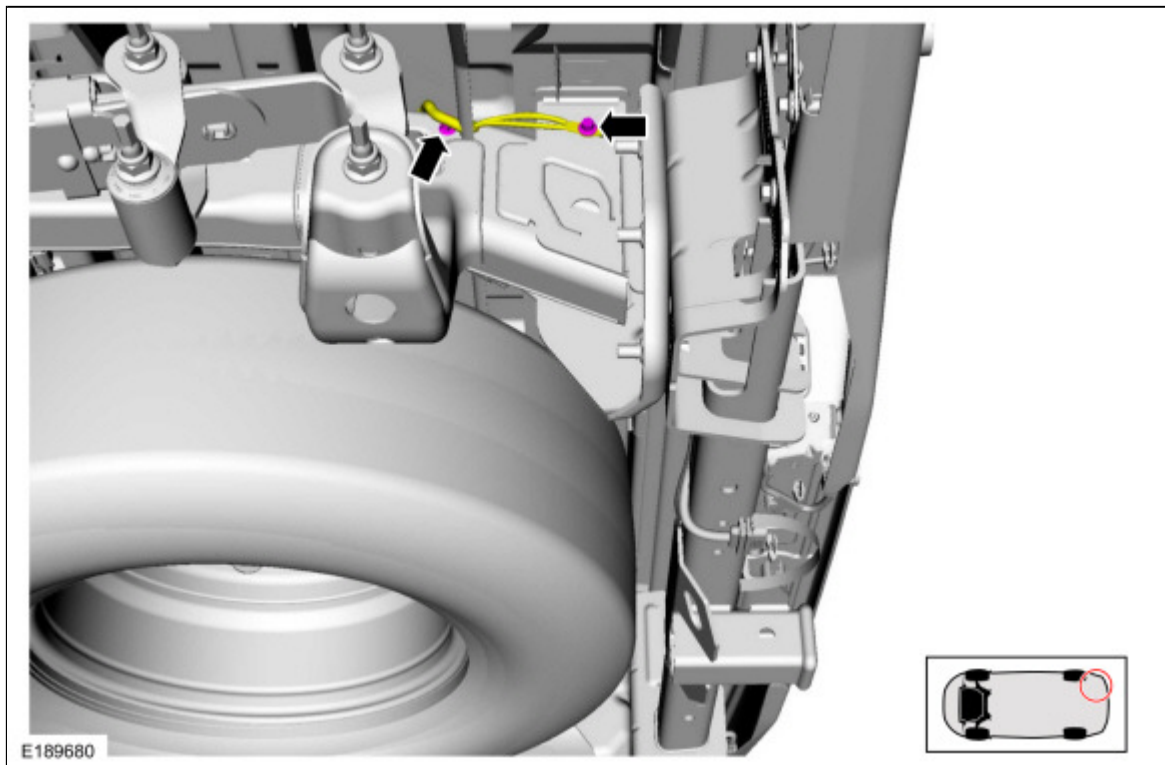
Base Part Number: [17F838](#)

Removal

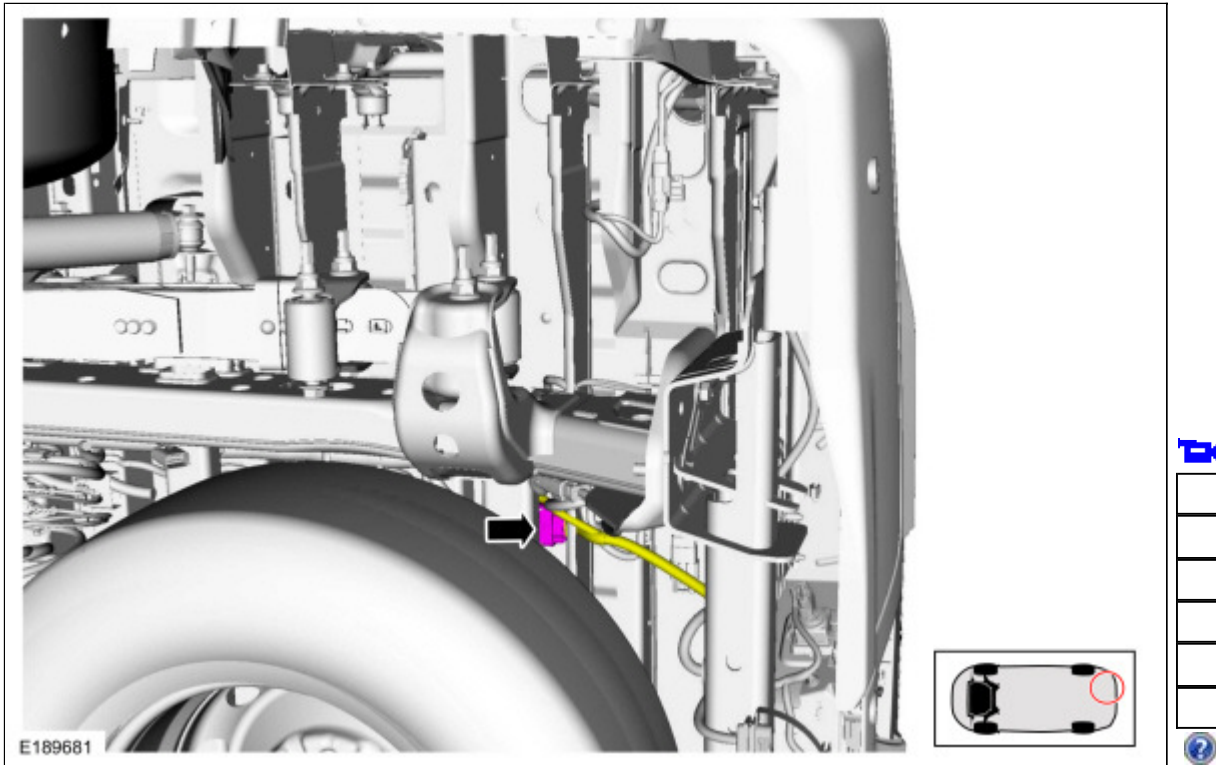
All vehicles

NOTE: The towing package equipped rear bumper is shown, the standard bumper is similar.

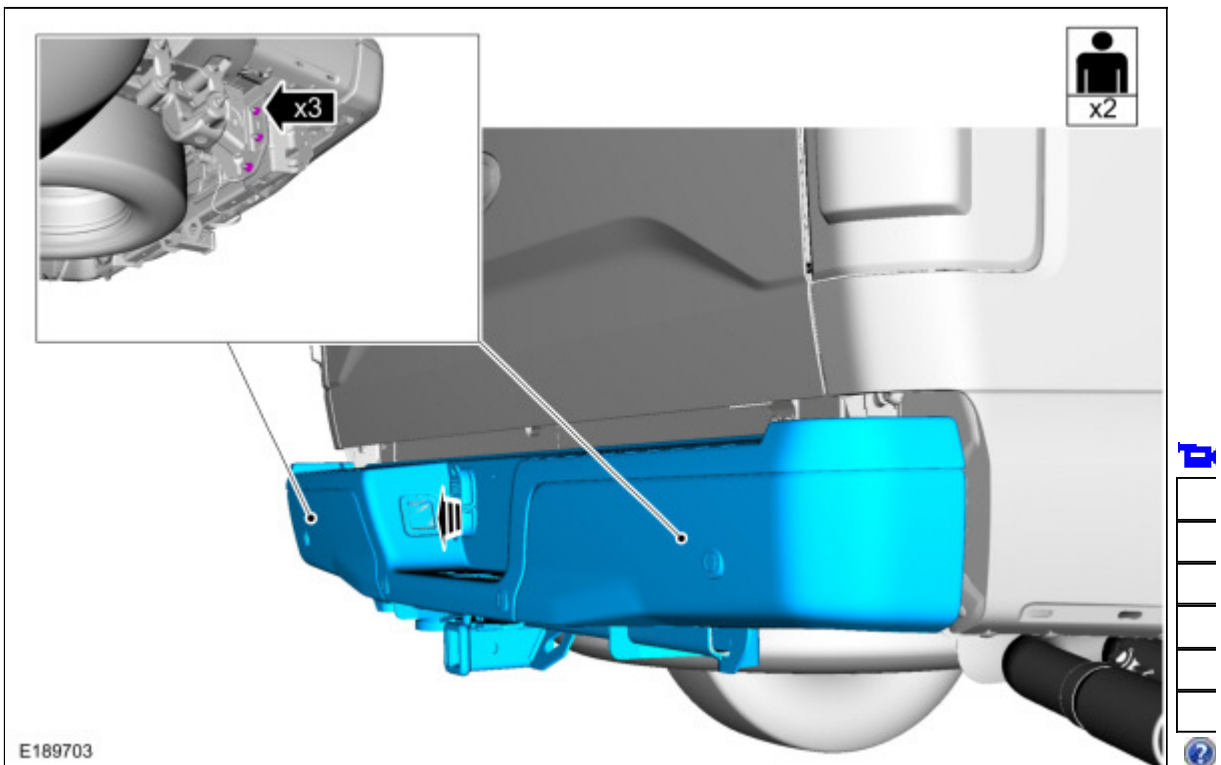
1. Raise the vehicle on a hoist.
Refer to: [Jacking and Lifting - Overview](#) (100-02 Jacking and Lifting, Description and Operation).
2. Remove the bolt, separate the harness retainer and position the harness over the frame rail.
Torque: 177 lb.in (20 Nm)



3. Disconnect the rear bumper wiring harness connector.

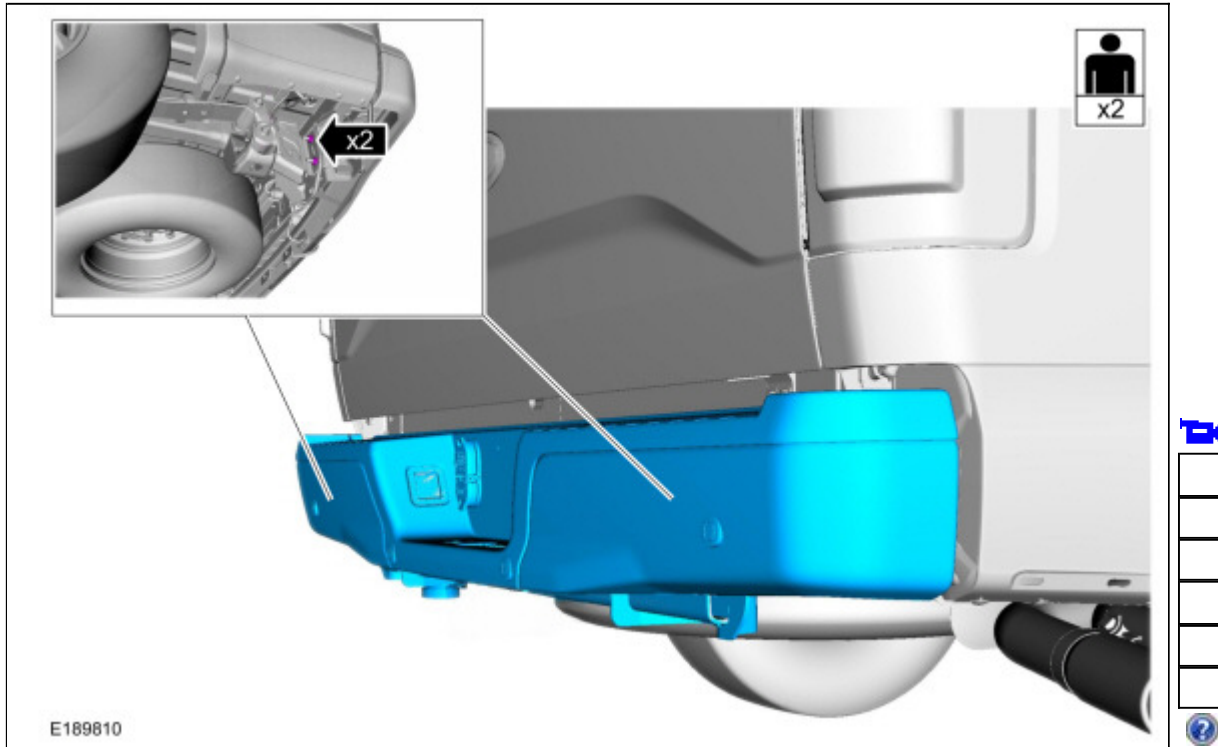


4. Partially lower the vehicle.
5. With the help of an assistant, remove the nuts and the rear bumper assembly.
Torque: 129 lb.ft (175 Nm)



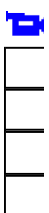
Vehicles without trailer tow package

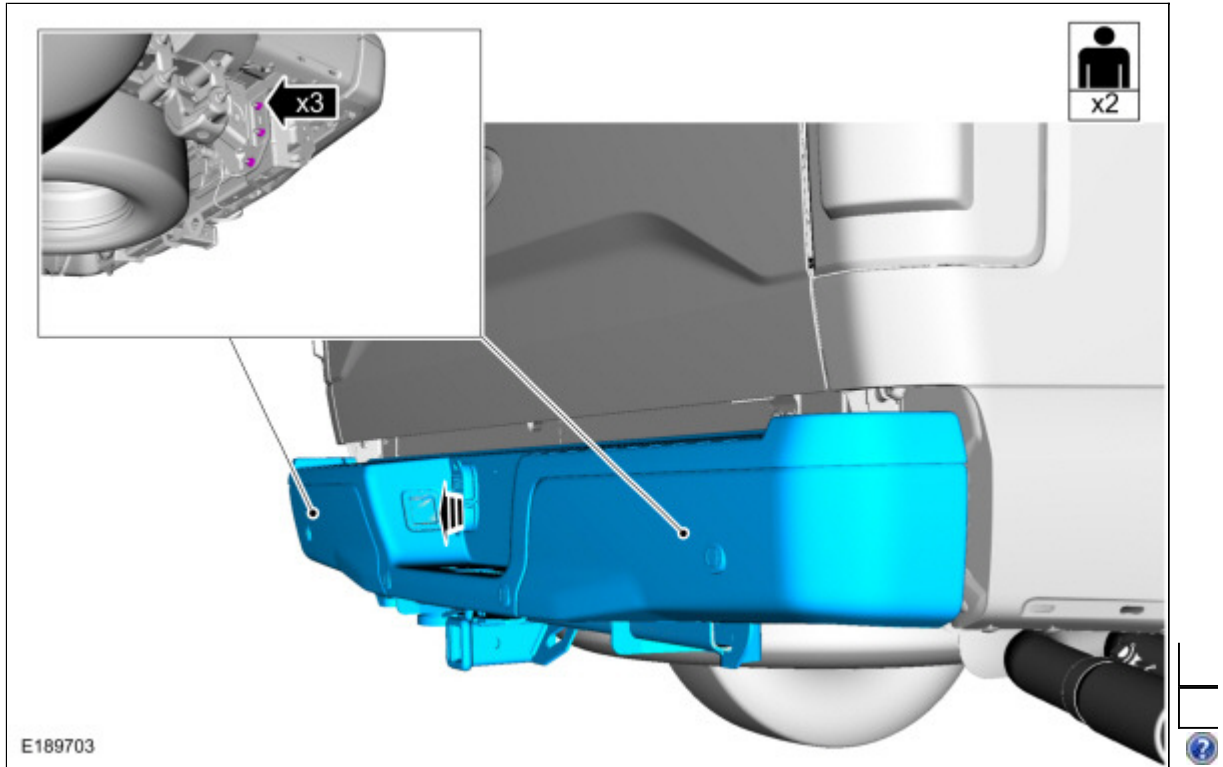
6. With the help of an assistant, remove the nuts and the rear bumper assembly.
Torque: 129 lb.ft (175 Nm)



Vehicles with trailer tow package

7. With the help of an assistant, remove the nuts and the rear bumper assembly.
Torque: 129 lb.ft (175 Nm)





Installation

1. To install, reverse the removal procedure.

Copyright © 2016 Ford Motor Company

