



## Rear Bumper

Base Part Number: [17F838](#)

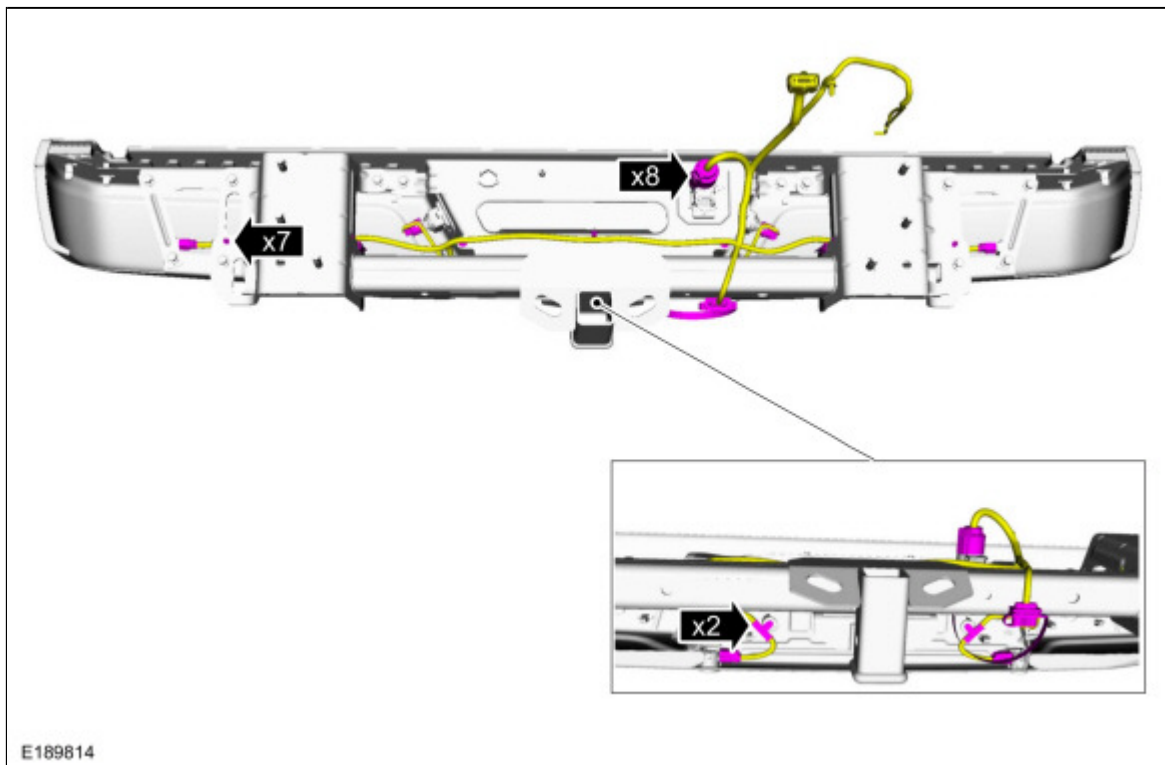
### DISASSEMBLY

#### All vehicles

1. Remove the rear bumper.  
Refer to: [Rear Bumper](#) (501-19 Bumpers, Removal and Installation).
2. **NOTE:** *The number and location of electrical connectors and retainers will vary depending on option content.*

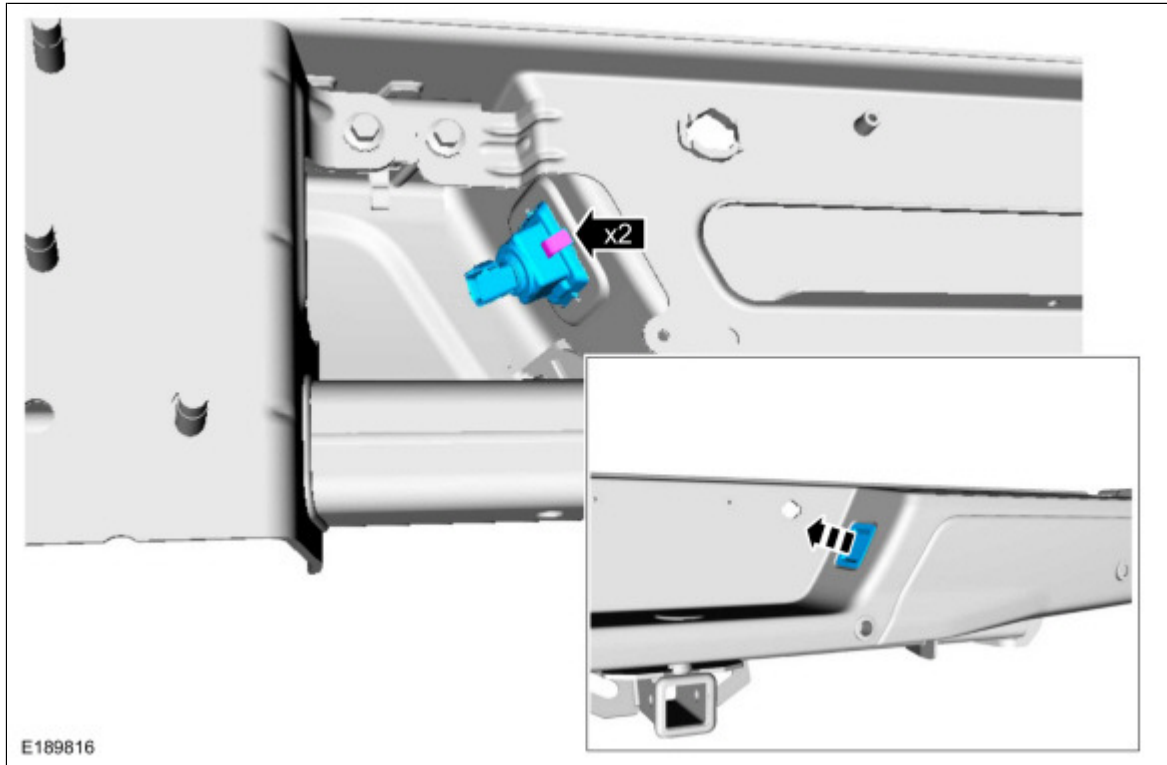
Remove the rear bumper wiring harness.

1. Disconnect the rear bumper wiring harness electrical connectors.
2. Separate the rear bumper wiring harness retainers.

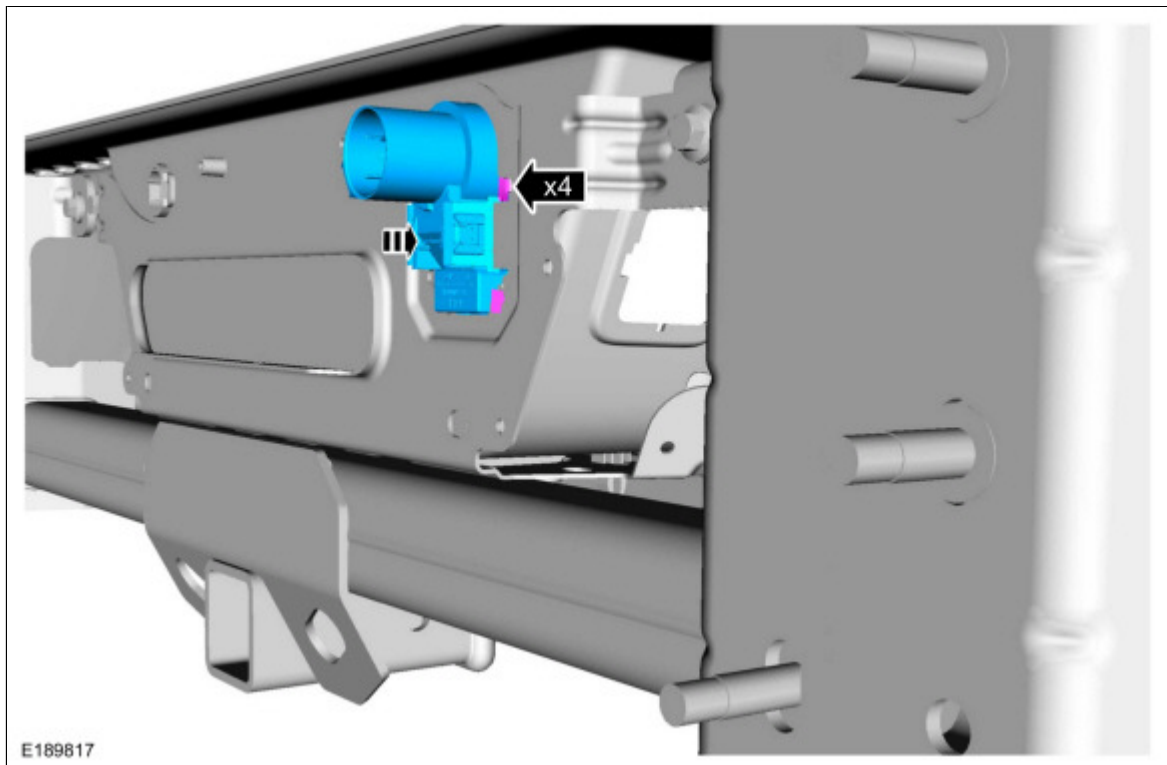


3. **NOTE:** *On both sides.*

Release the tabs and remove the license plate lamp.

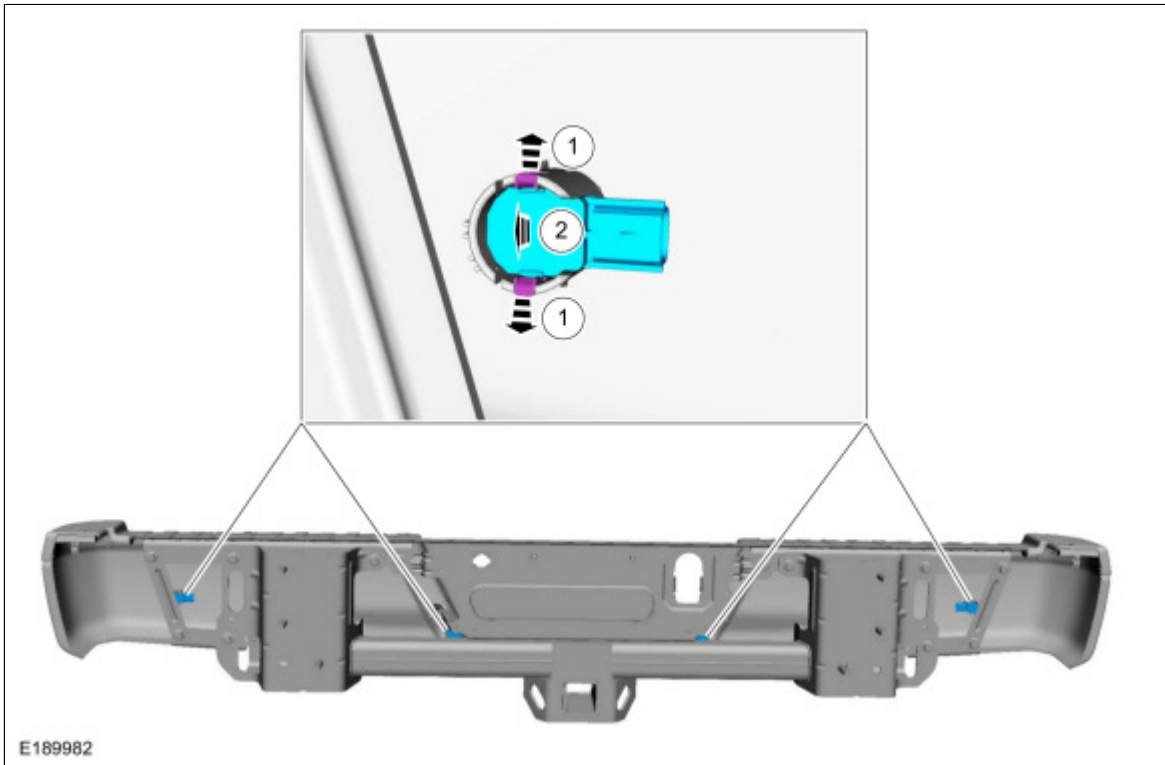


4. Release the tabs and remove the trailer brake electrical connector.

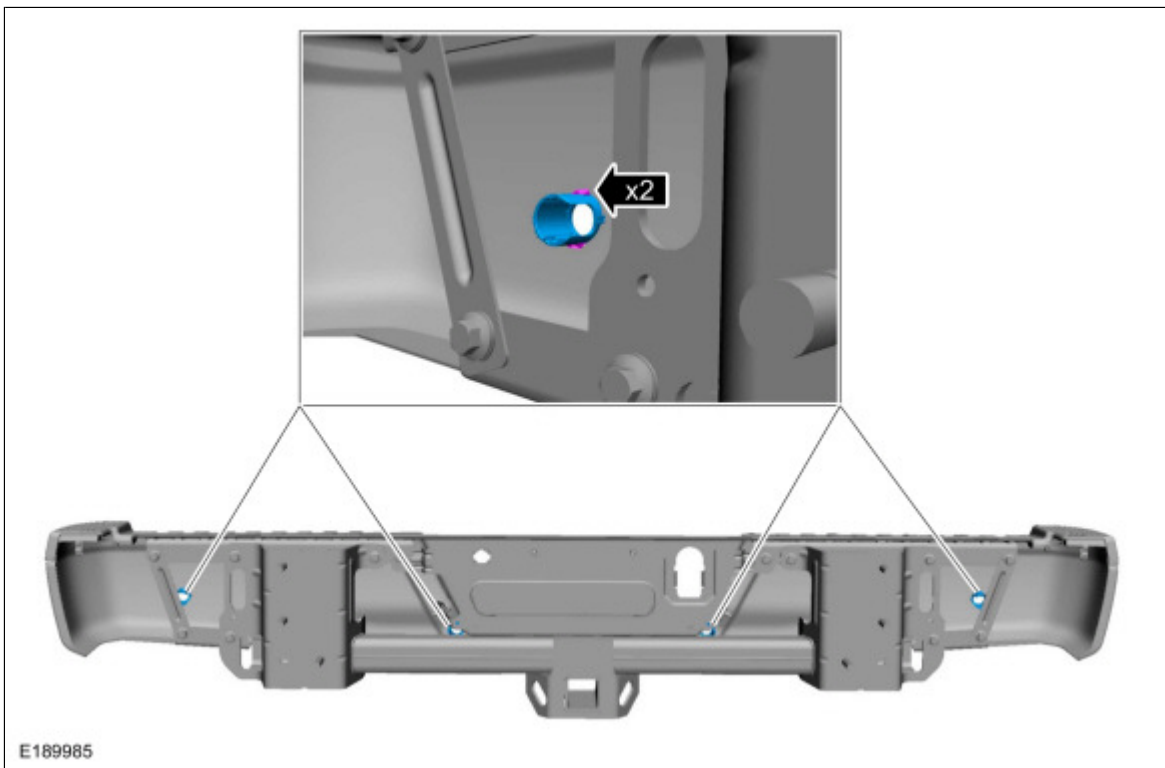


5. If equipped, remove the rear parking aid sensors.
  1. Release the tabs.

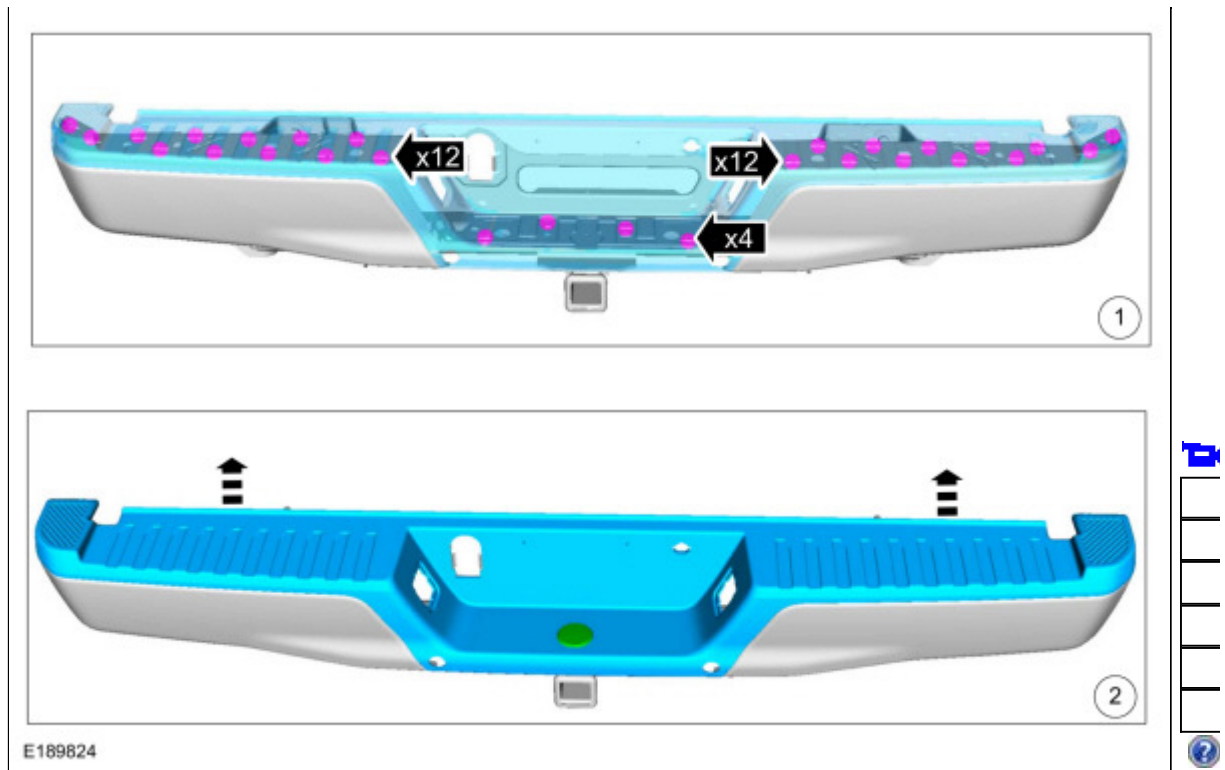
2. Slide the rear parking aid sensors out of the bezels.



6. If equipped, release the tabs and remove the rear parking aid sensor bezels.

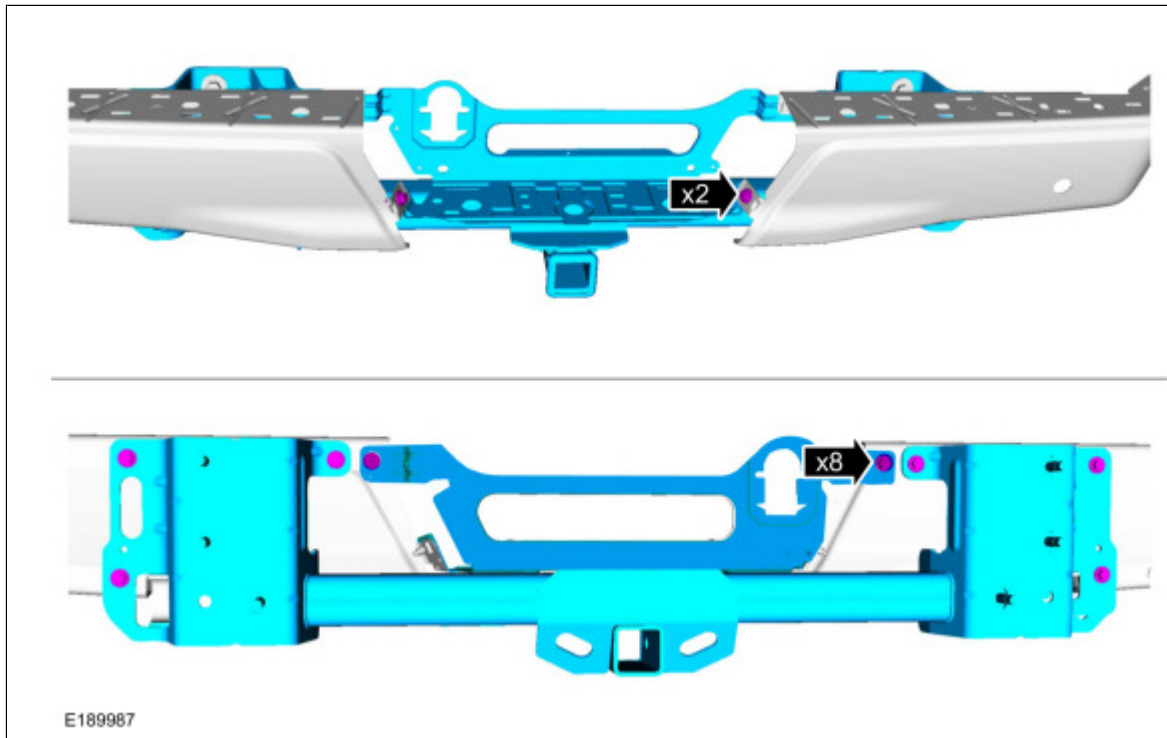


7. Remove the rear bumper step plate.
  1. If equipped, remove the trailer ball access cover.
  2. Release the tabs.



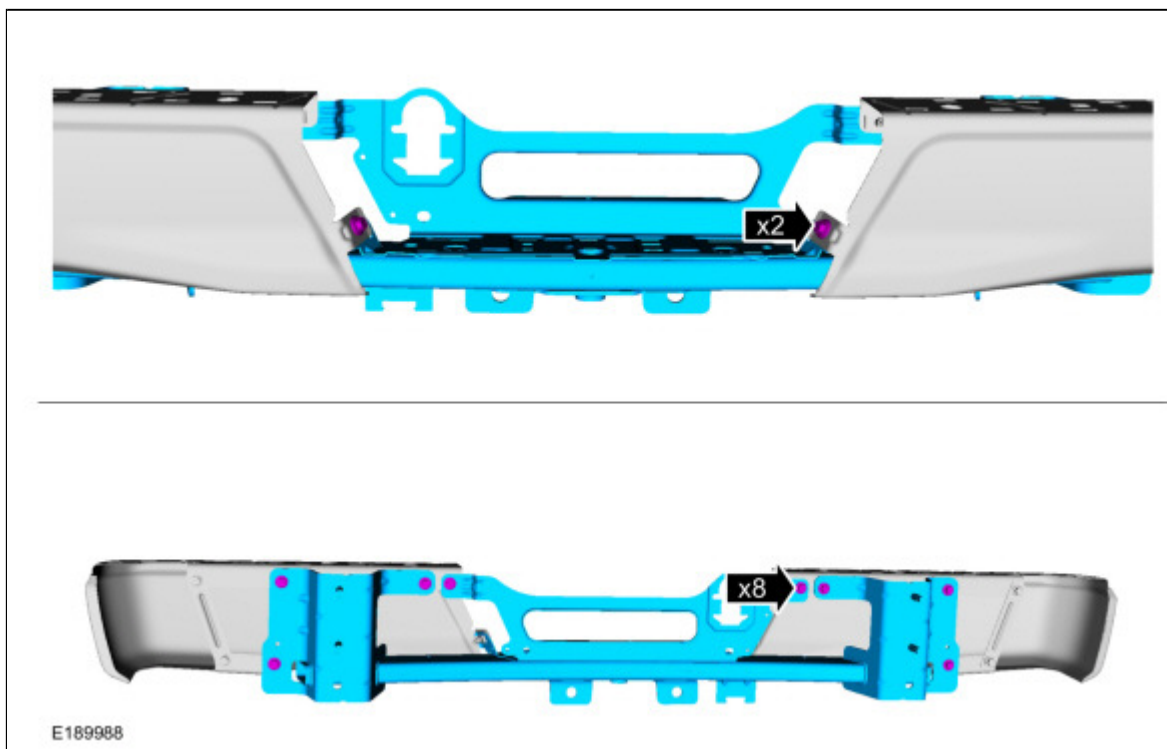
#### Vehicles with trailer tow package

8. Remove the bolts and the rear bumper bar.  
*Torque: 18 lb.ft (25 Nm)*



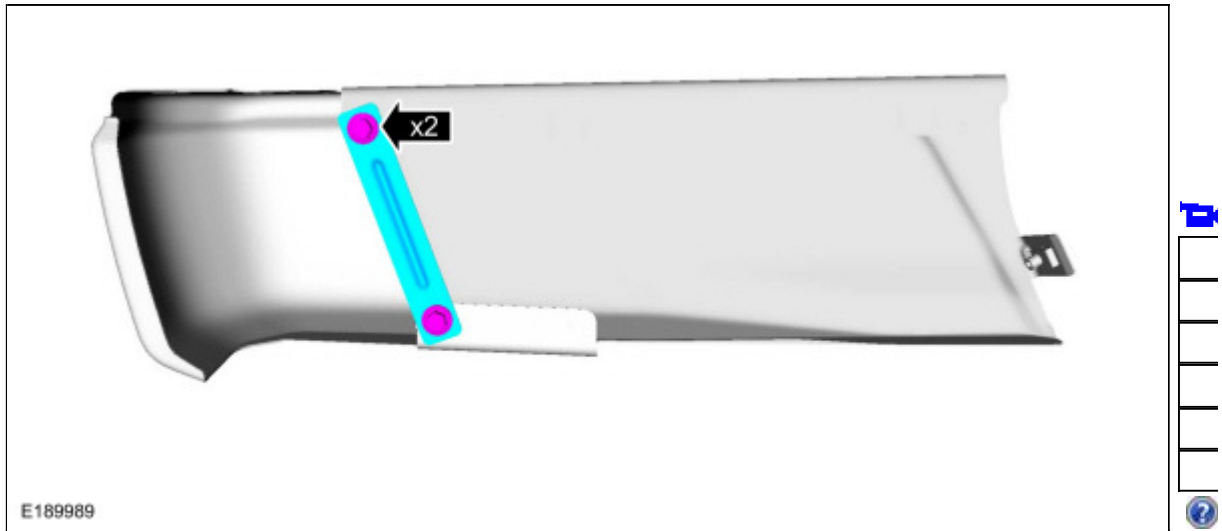
**Vehicles without trailer tow package**

- 9. Remove the bolts and the rear bumper bar.  
*Torque: 18 lb.ft (25 Nm)*



**All vehicles**

10. Remove the bolts and the outer bumper brace.  
*Torque: 18 lb.ft (25 Nm)*



## ASSEMBLY

1. To assemble, reverse the disassembly procedure.

Copyright © 2016 Ford Motor Company

