



## 501-17B Roof Opening Panel - Vehicles With: Vista Roof Opening Panel

2015 F-150

General Procedures

Procedure revision date:  
09/30/2015

### Roof Opening Panel Alignment

#### Adjustment

**NOTE:** *Fixed Glass Panel*

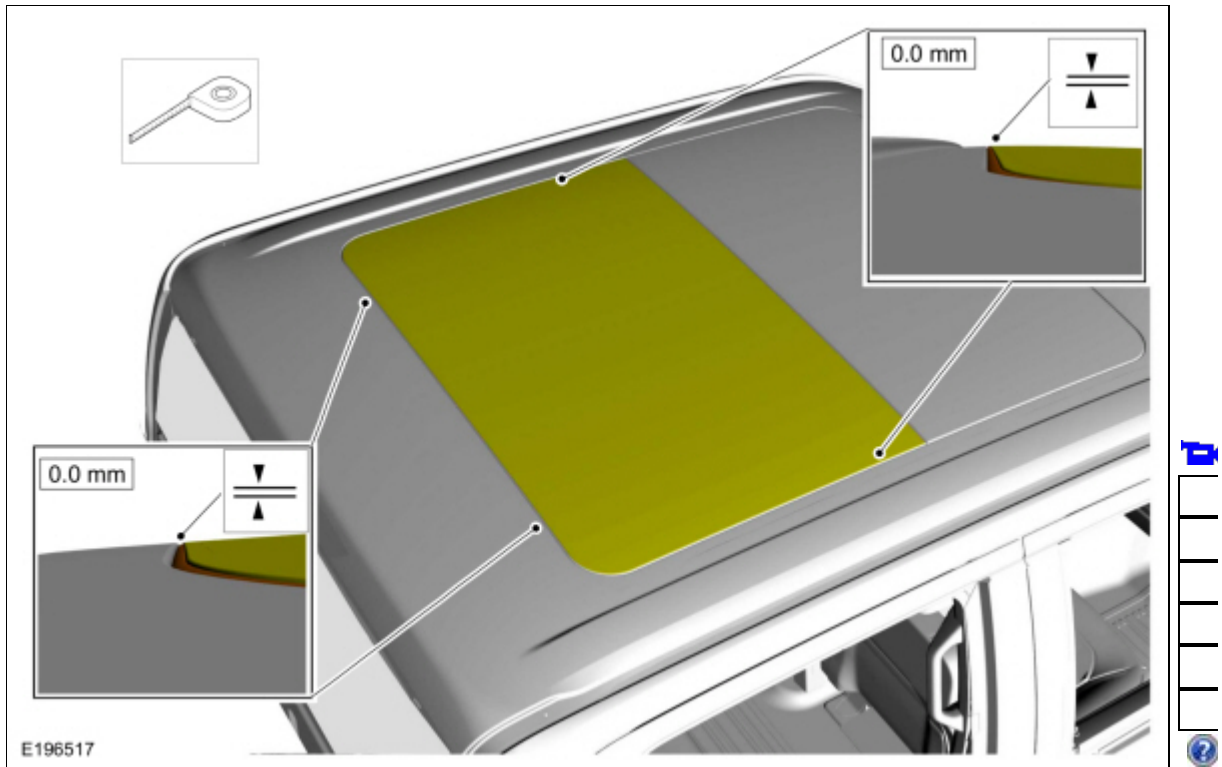
**NOTE:** *If both glass panels are being aligned, align the fixed glass panel before aligning the sliding glass panel.*

*The roof opening panel initialization procedure must be done when repairs are carried out on the roof opening panel system, including: any time the roof opening panel or shade motor has been removed, the roof opening panel glass (fixed glass or front sliding glass) has been removed or adjusted, or if the roof opening panel frame has been removed.*

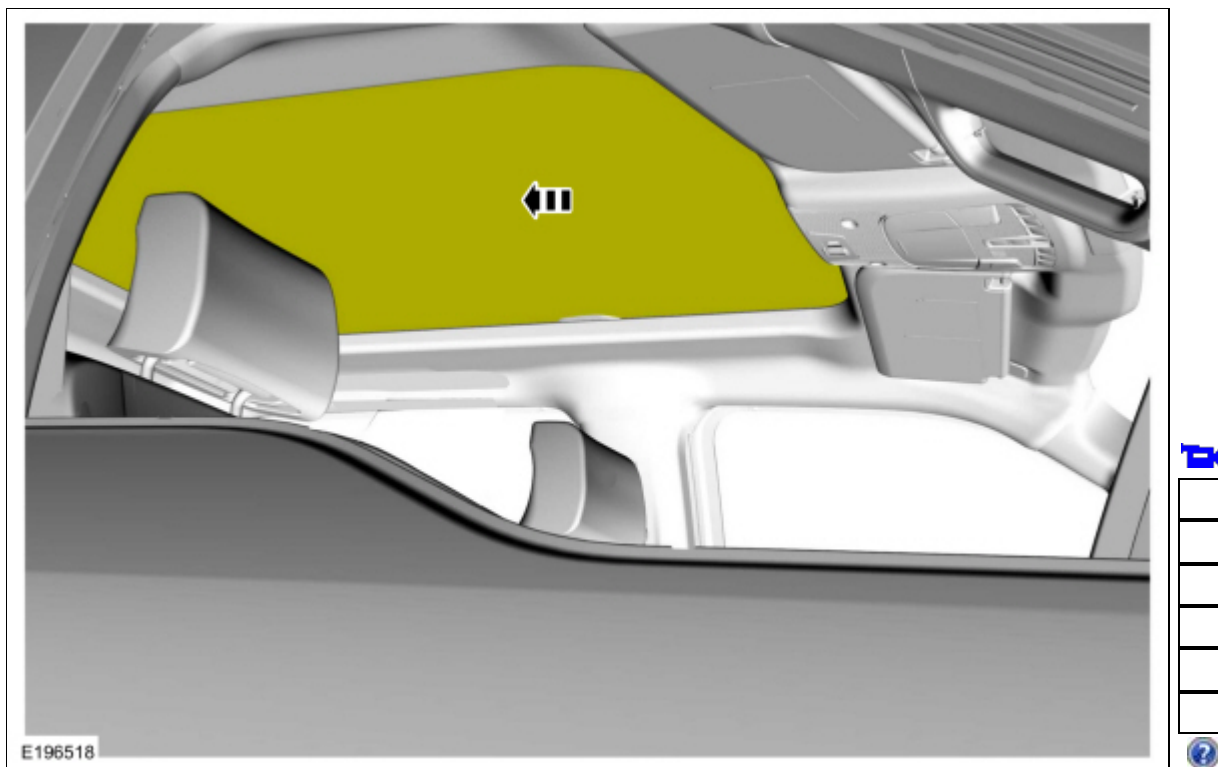
1. Fully close the roof opening panel.



2. Measure the rear and sides of the rear fixed glass to roof clearances as shown.



3. If adjustment is needed, fully open the roof opening panel shield.

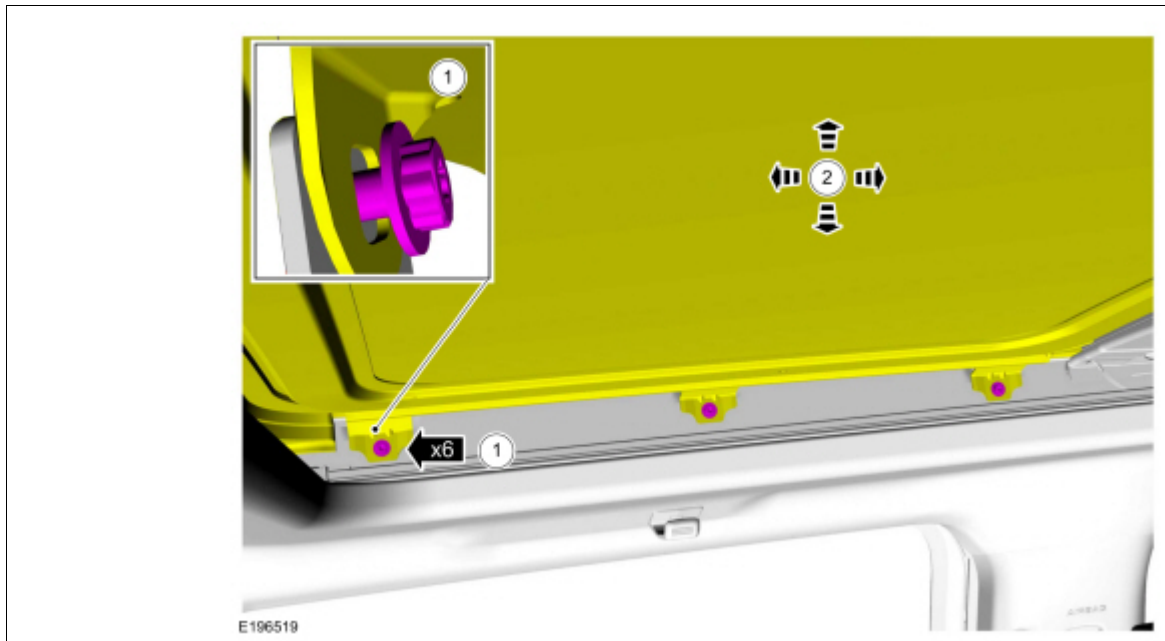


4. Adjust the roof opening panel fixed glass.
  1. **NOTE:** LH side shown, RH side similar.

On both sides, loosen the retainers to adjust the roof opening panel fixed glass.

*Torque:* 35 lb.in (4 Nm)

2. Adjust the roof opening panel fixed glass as necessary.



5. If the roof opening panel fixed glass alignment was adjusted and the sliding glass panel does **not** need adjustment, initialize the roof opening panel.

Refer to: [Power Roof Opening Panel Initialization](#) (501-17B Roof Opening Panel - Vehicles With: Vista Roof Opening Panel, General Procedures).

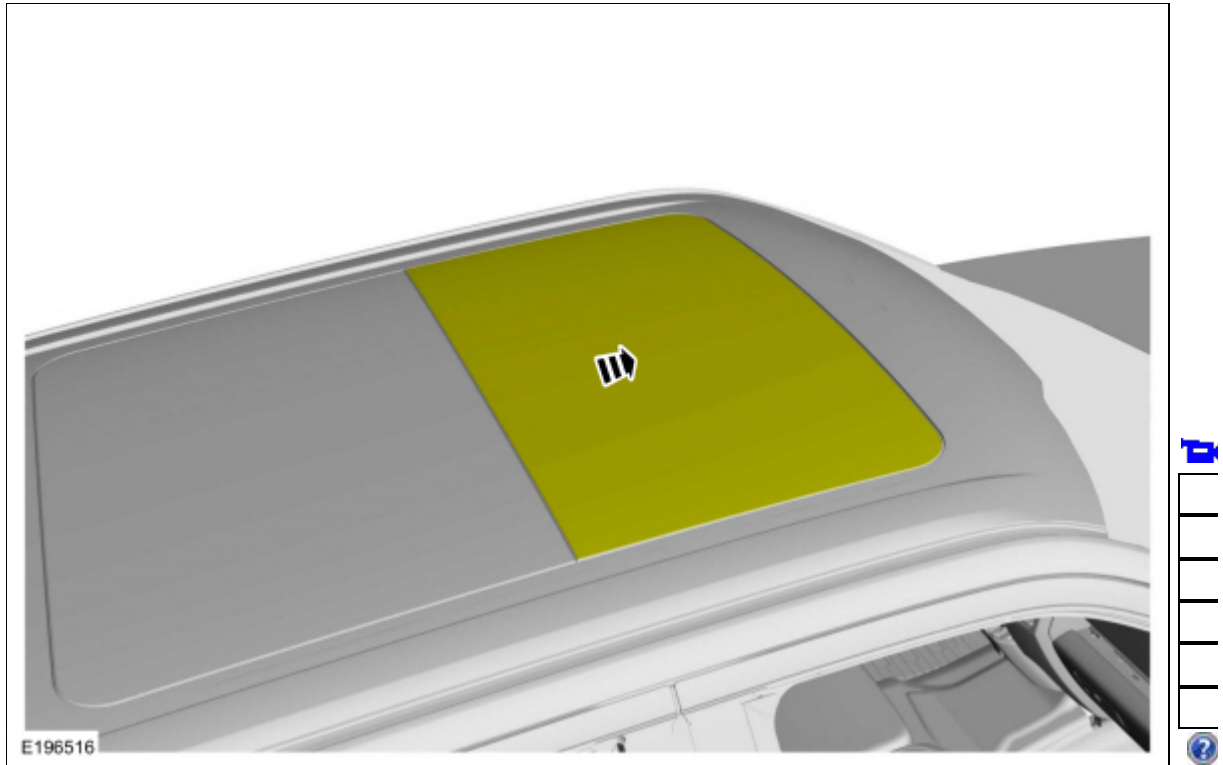
### Adjustment

**NOTE:** *Sliding Glass Panel*

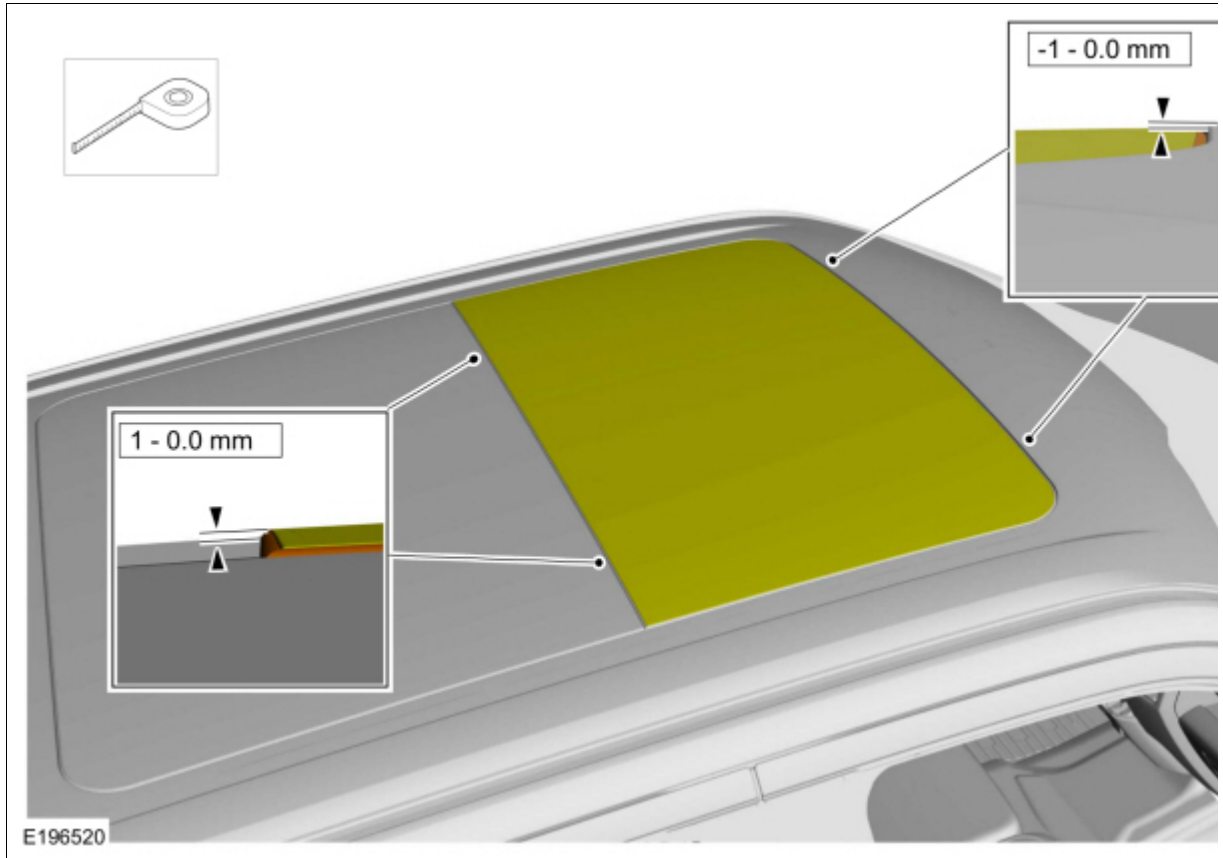
**NOTE:** *If both glass panels are being aligned, align the fixed glass panel before aligning the sliding glass panel.*

*The roof opening panel initialization procedure must be done when repairs are carried out on the roof opening panel system, including: any time the roof opening panel or shield motor has been removed, the roof opening panel glass (fixed glass or sliding glass) has been removed or adjusted, or if the roof opening panel frame has been removed.*

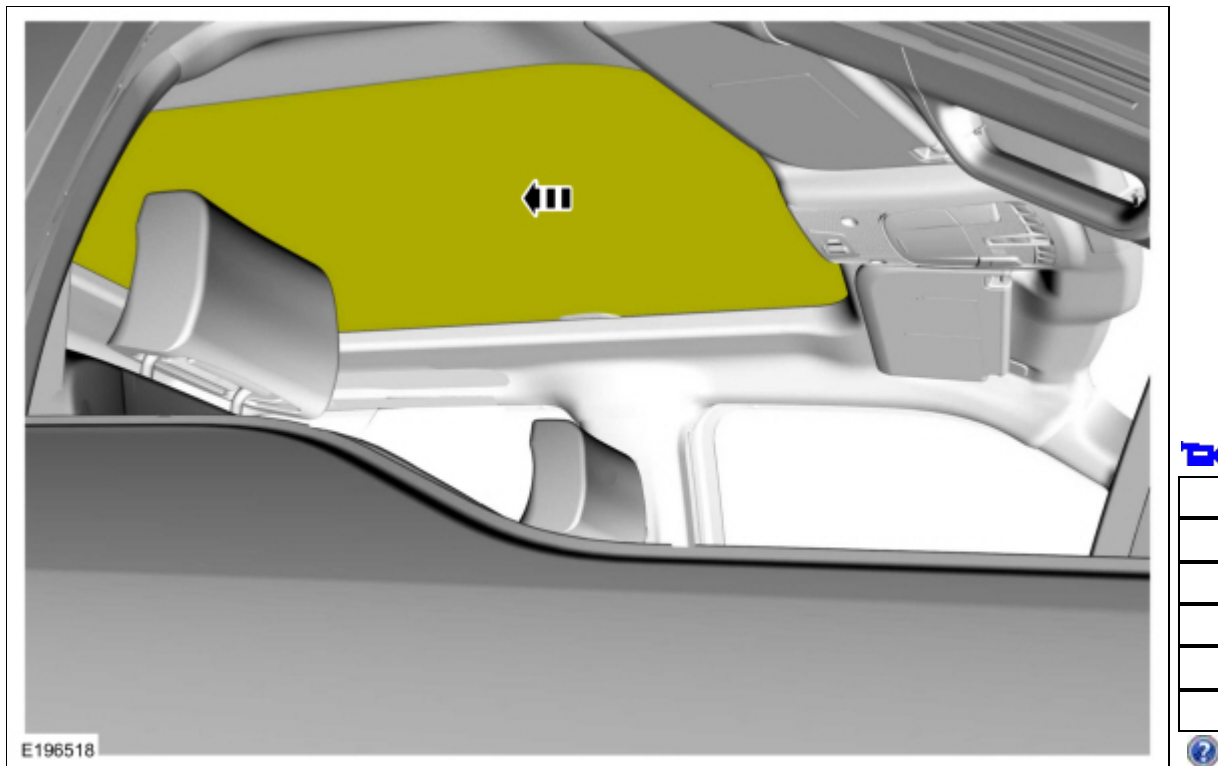
1. Fully close the roof opening panel.



2. Measure the front of the roof opening panel sliding glass to roof clearance and the rear of the roof opening panel sliding glass to roof opening panel fixed glass as shown.

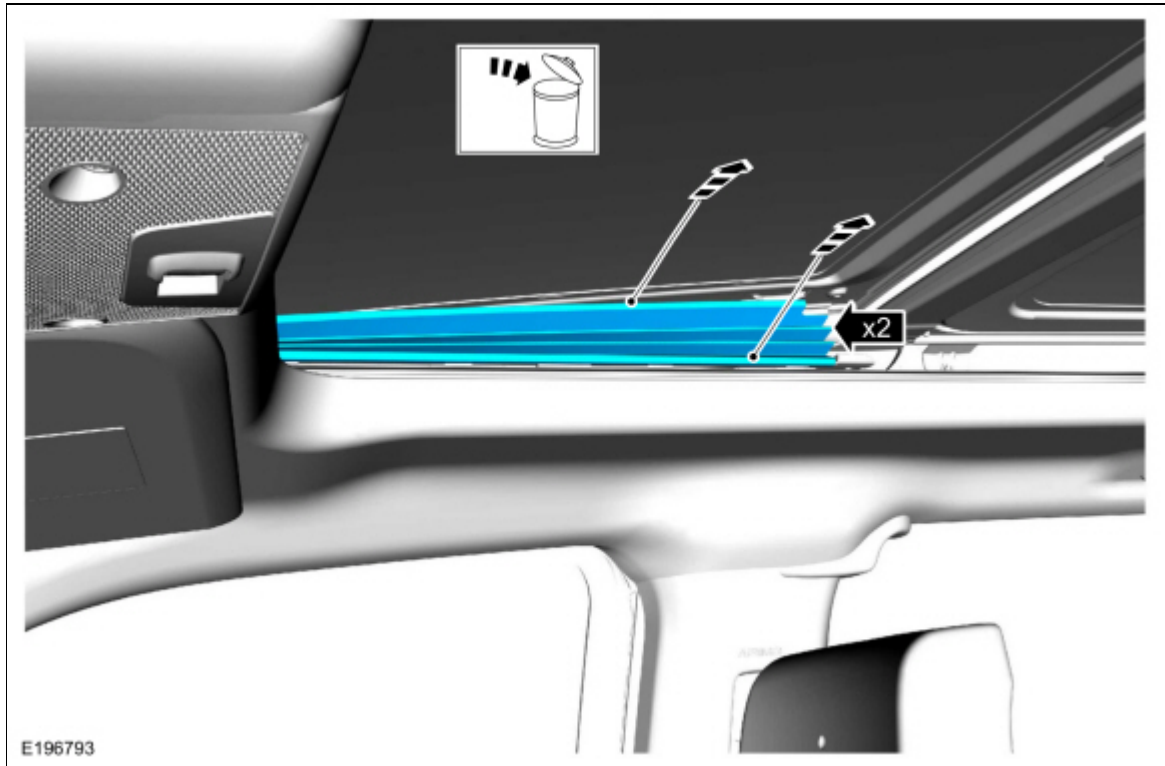


3. If adjustment is needed, fully open the roof opening panel shield.



4. **NOTE:** During installation, make sure the blind is fully seated. An audible noise will be heard when the blind seats to the lower bracket.  
RH side shown, LH side similar.

On both sides, remove the roof opening panel blind by pulling inward on the top and bottom of the roof opening panel blind and discard.

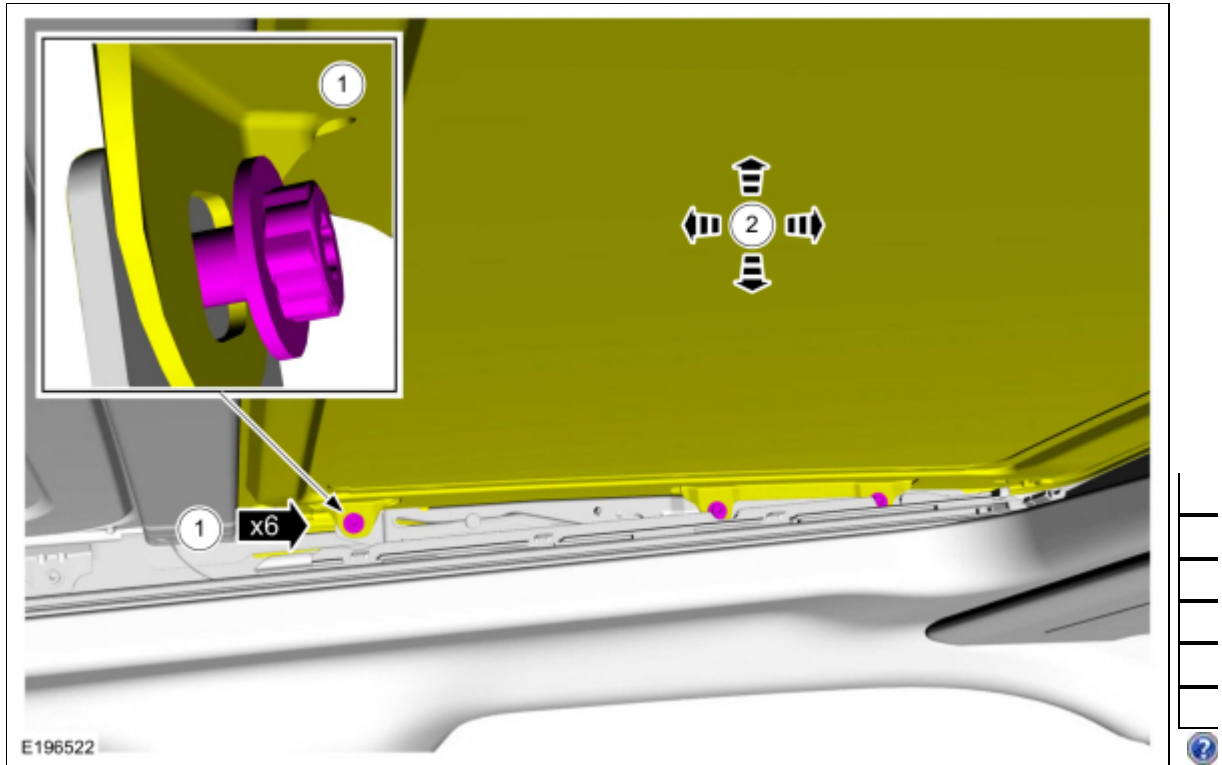


5. Adjust the roof opening panel sliding glass.  
 1. **NOTE:** LH side shown, RH side similar.

On both sides, loosen the retainers to adjust the roof opening panel sliding glass.

*Torque:* 35 lb.in (4 Nm)

2. Adjust the roof opening panel sliding glass as necessary.



6. If any adjustment was made on the roof opening panel fixed glass roof opening panel fixed glass panel, initialize the roof opening panel.  
Refer to: [Power Roof Opening Panel Initialization](#) (501-17B Roof Opening Panel - Vehicles With: Vista Roof Opening Panel, General Procedures).

Copyright © 2015 Ford Motor Company

